



US00D823260S

(12) **United States Design Patent**  
**Petersen**

(10) **Patent No.:** **US D823,260 S**  
(45) **Date of Patent:** **\*\* Jul. 17, 2018**

- (54) **DATA TRANSMISSION CABLE**
- (71) Applicant: **Zound Industries International AB**,  
Stockholm (SE)
- (72) Inventor: **Erik Petersen**, Stockholm (SE)
- (73) Assignee: **Zound Industries International AB**,  
Stockholm (SE)
- (\*\*) Term: **15 Years**
- (21) Appl. No.: **29/556,728**
- (22) Filed: **Mar. 2, 2016**
- (51) **LOC (11) Cl.** ..... **13-03**
- (52) **U.S. Cl.**  
USPC ..... **D13/153**
- (58) **Field of Classification Search**  
USPC ..... D13/101, 110, 118, 120, 123, 133, 134,  
D13/146-149, 152-154, 173, 175, 177,  
D13/178, 184, 199; D14/240, 432, 433,  
D14/439  
CPC . H01R 4/028; H01R 4/24; H01R 4/48; H01R  
9/00; H01R 9/24; H01R 12/00; H01R  
12/79; H01R 13/00; H01R 13/02; H01R  
13/11; H01R 13/40; H01R 13/46; H01R  
13/51; H01R 13/533; H01R 13/64; H01R  
13/65; H01R 13/66; H01R 13/72; H01R  
13/74; H01R 29/00; H01R 24/06  
See application file for complete search history.

- (56) **References Cited**  
U.S. PATENT DOCUMENTS  
5,117,479 A \* 5/1992 Erdman ..... G02B 6/3878  
385/136  
D425,860 S \* 5/2000 Goto ..... D13/133  
D447,735 S \* 9/2001 Nakashima ..... D13/153  
D450,041 S \* 11/2001 Nakashima ..... D13/153  
D549,660 S \* 8/2007 Zenri ..... D13/147  
D619,963 S \* 7/2010 Hou ..... D13/133  
D636,337 S \* 4/2011 Smith ..... D13/147

- D692,390 S \* 10/2013 Smith ..... D13/133
  - D699,188 S \* 2/2014 Akana ..... D13/147
  - 8,740,640 B2 \* 6/2014 Hardy ..... H01R 13/7175  
439/490
  - D723,474 S \* 3/2015 Olsson ..... D13/153
  - D731,488 S \* 6/2015 Lee ..... D14/433
  - D733,142 S \* 6/2015 Solomon ..... D14/433
- (Continued)

**OTHER PUBLICATIONS**

Urbanears Sumpun V2, dated May 6, 2016, [online], [site visited Aug. 14, 2017]. Available from Internet, <URL: <https://www.amazon.com/dp/B017VX46GW?psc=1>>.\*

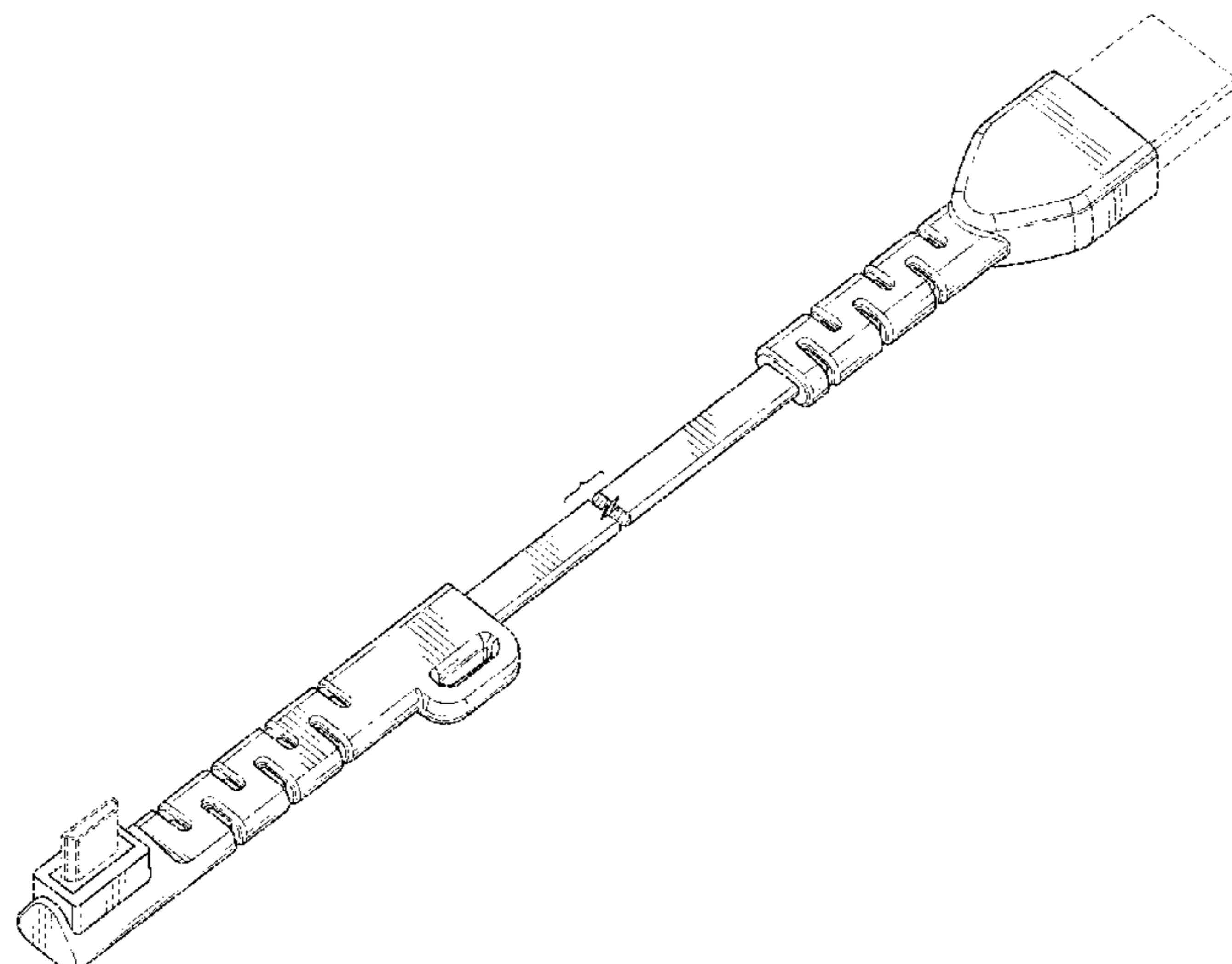
*Primary Examiner* — Thomas Johannes  
*Assistant Examiner* — Shawn T Gingrich  
(74) *Attorney, Agent, or Firm* — Alonzo & Associates;  
Arlyn Alonzo

(57) **CLAIM**  
The ornamental design for a data transmission cable, as shown and described.

**DESCRIPTION**

FIG. 1 is a perspective view of an exemplary data transmission cable.  
FIG. 2 is a left side view thereof.  
FIG. 3 is a right side view thereof.  
FIG. 4 is an enlarged front view thereof.  
FIG. 5 is an enlarged back view thereof.  
FIG. 6 is a top view thereof; and,  
FIG. 7 is a bottom view thereof.  
The design is a data transmission cable.  
The data transmission cable is shown with a symbolic break in its length, represented by jagged lines. The appearance of any portion of the article between the jagged lines forms no part of the claimed design. The broken line portion of the figure drawings is included to show portions of the article that form no part of the claimed design.

**1 Claim, 7 Drawing Sheets**



(56)

**References Cited**

U.S. PATENT DOCUMENTS

D753,060 S \* 4/2016 Miller ..... D13/110  
D784,931 S \* 4/2017 Fries ..... D13/153  
D793,344 S \* 8/2017 Wang ..... D13/153  
D800,731 S \* 10/2017 He ..... D14/433  
D804,291 S \* 12/2017 Fawcett ..... D8/356  
D810,748 S \* 2/2018 Zhang ..... D14/433  
D810,749 S \* 2/2018 Zhang ..... D14/433  
2013/0196532 A1 \* 8/2013 Utz ..... H01R 13/5812  
439/471  
2014/0321808 A1 \* 10/2014 Irwin ..... G02B 6/3879  
385/56  
2014/0367139 A1 \* 12/2014 Petersen ..... H02G 11/00  
174/79  
2016/0197445 A1 \* 7/2016 Bryngelsson ..... H01R 13/72  
439/501  
2016/0293293 A1 \* 10/2016 Oh ..... H01R 13/72

\* cited by examiner

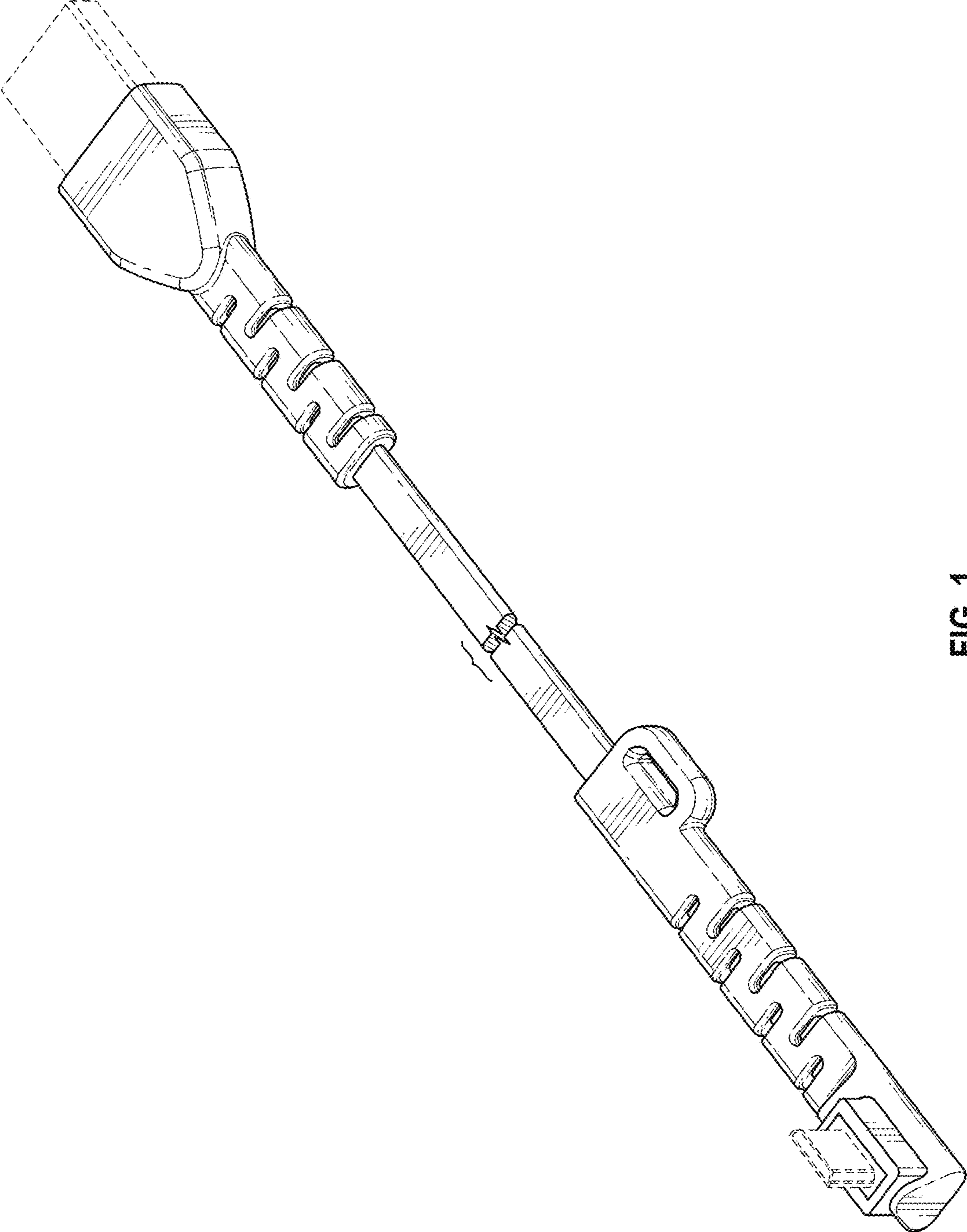


FIG. 1

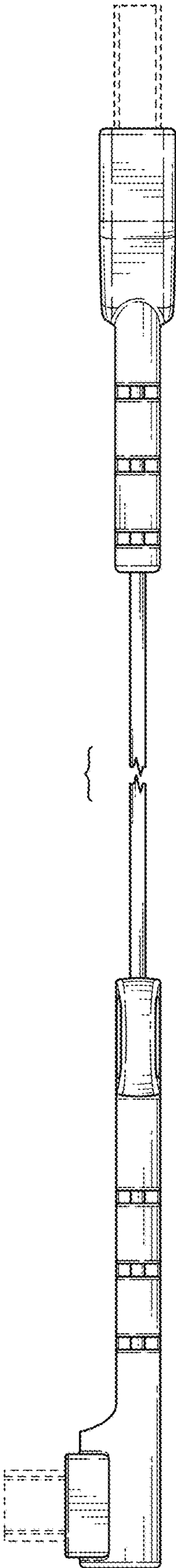


FIG. 2

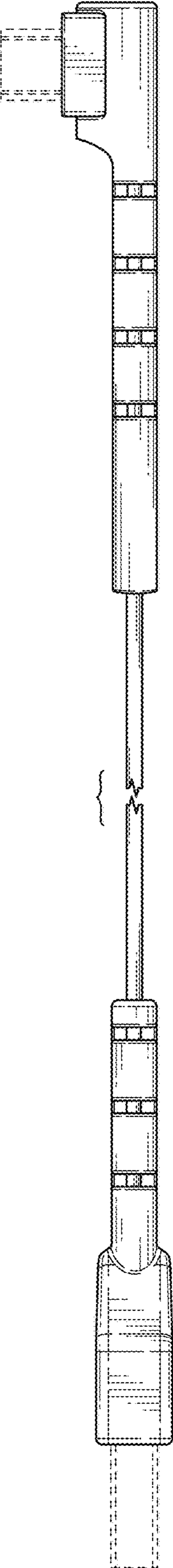


FIG. 3

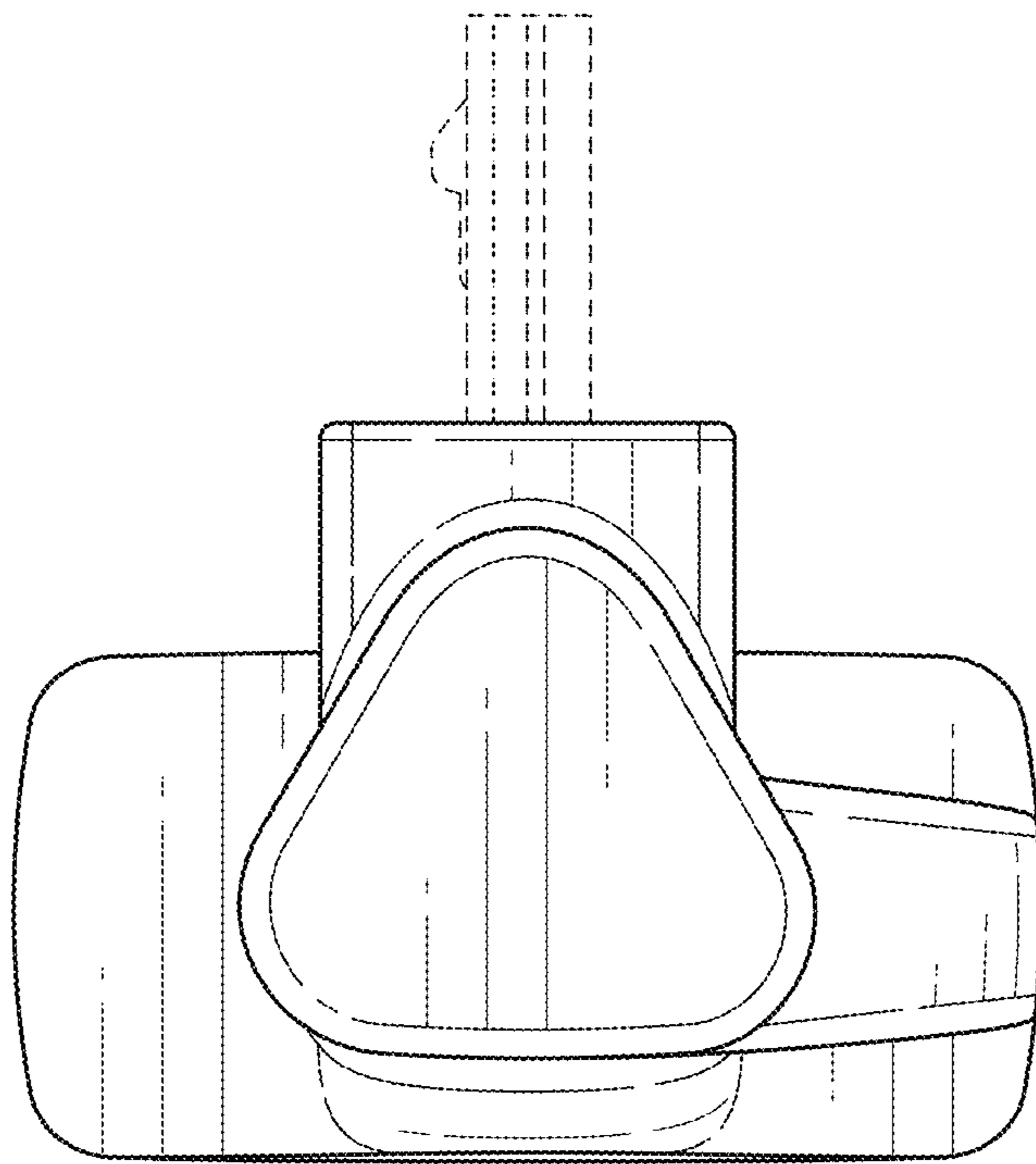


FIG. 4

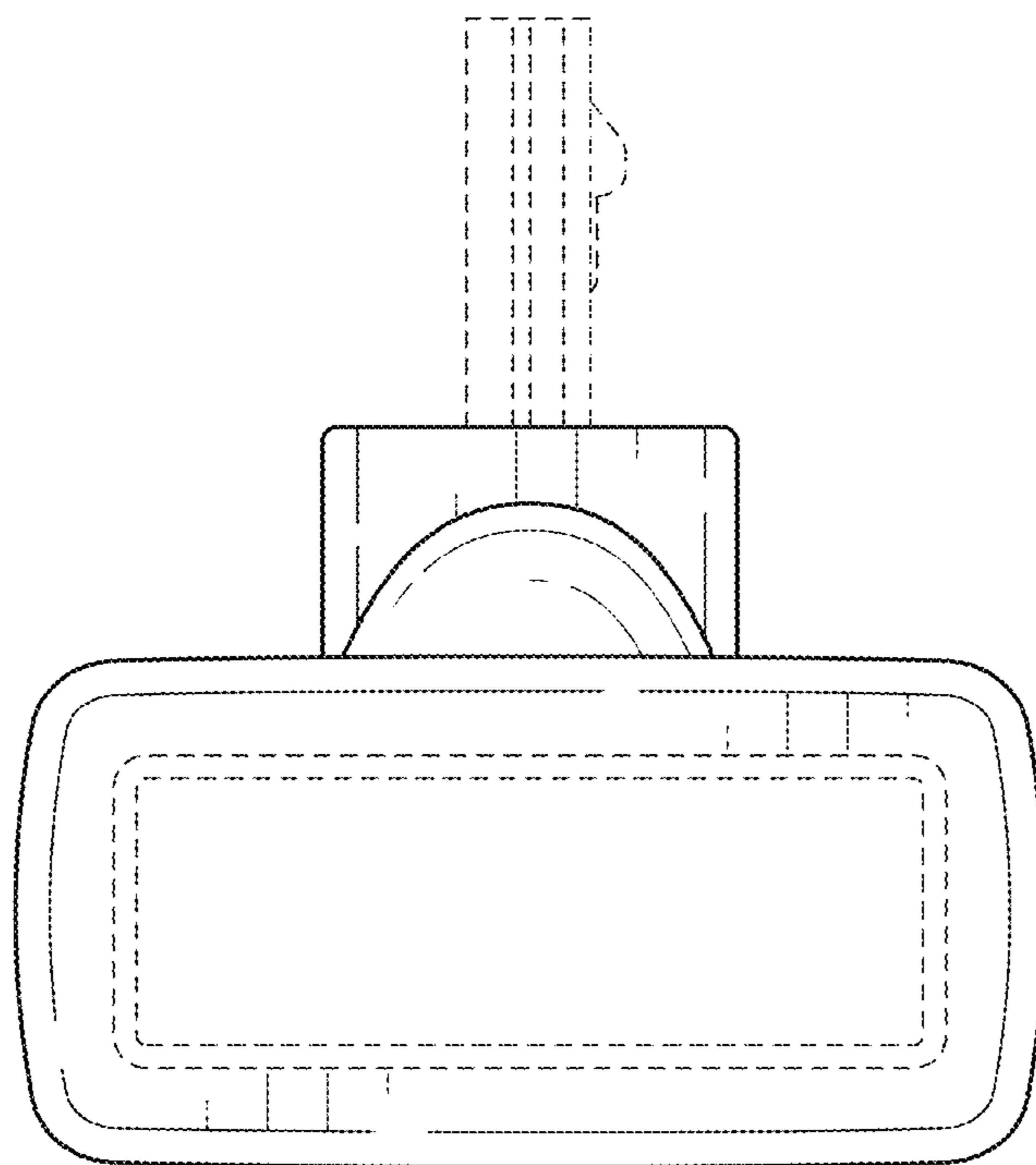


FIG. 5

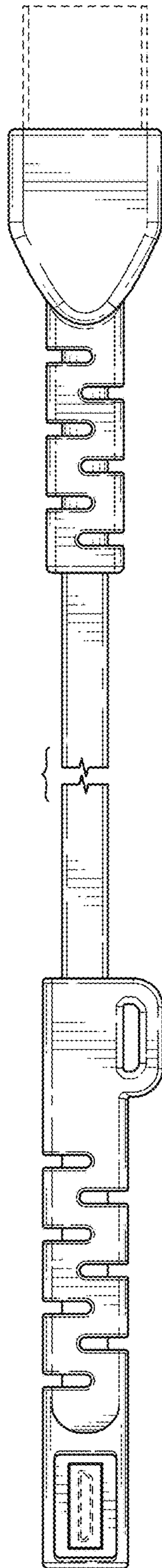


FIG. 6



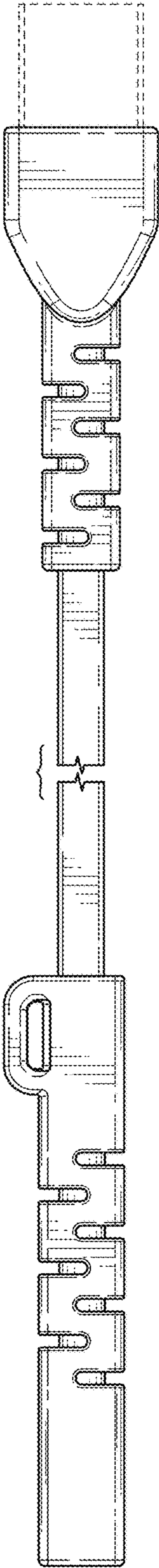


FIG. 7