



US00D823258S

(12) **United States Design Patent**  
**Hanson et al.**

(10) **Patent No.:** **US D823,258 S**

(45) **Date of Patent:** **\*\* Jul. 17, 2018**

(54) **CABLE JUNCTION DEVICE**

(71) Applicant: **PPC BROADBAND, INC.**, East  
Syracuse, NY (US)

(72) Inventors: **Brian K. Hanson**, Cicero, NY (US);  
**André Martineau**, Manlius, NY (US);  
**Cameron James Adams**, Camillus, NY  
(US)

(73) Assignee: **PPC BROADBAND, INC.**, East  
Syracuse, NY (US)

(\*\*) Term: **15 Years**

(21) Appl. No.: **29/604,813**

(22) Filed: **May 19, 2017**

(51) **LOC (11) Cl.** ..... **13-03**

(52) **U.S. Cl.**  
USPC ..... **D13/151**

(58) **Field of Classification Search**  
USPC ..... D13/133, 146, 147, 148, 151, 154, 158,  
D13/173, 184, 199, 138.2, 139.4  
CPC ..... H02G 3/081; H02G 3/083; H02G 3/18;  
H02G 15/00; H02G 15/02  
See application file for complete search history.

(56) **References Cited**

**U.S. PATENT DOCUMENTS**

4,141,615 A \* 2/1979 Takeuchi ..... H01R 24/547  
174/652  
D365,327 S \* 12/1995 Reed ..... D13/147

D396,691 S *	8/1998	Shen	.....	D13/147
D408,363 S *	4/1999	Hsiang	.....	D13/147
D408,364 S *	4/1999	Hsiang	.....	D13/151
D409,985 S *	5/1999	Hsiang	.....	D13/146
D607,413 S *	1/2010	Egan	.....	D13/151
D607,414 S *	1/2010	Egan	.....	D13/151
D623,598 S *	9/2010	Kondo	.....	D13/151
D673,914 S *	1/2013	Witkowski	.....	D13/151
D673,916 S *	1/2013	Regnier	.....	D13/151
D676,813 S *	2/2013	Wiest	.....	D13/151
D751,509 S *	3/2016	Hanson	.....	D13/151
D756,935 S *	5/2016	Hanson	.....	D13/151
D786,204 S *	5/2017	Hochman	.....	D13/184

\* cited by examiner

*Primary Examiner* — Susan Bennett Hattan

*Assistant Examiner* — Jennifer M Campbell

(74) *Attorney, Agent, or Firm* — Oliff PLC

(57) **CLAIM**

The ornamental design for a cable junction device, as shown and described.

**DESCRIPTION**

FIG. 1 is a front, top, left-side view of the cable junction device;

FIG. 2 is a front elevational view thereof;

FIG. 3 is a rear elevational view thereof;

FIG. 4 is a right-side elevational view thereof;

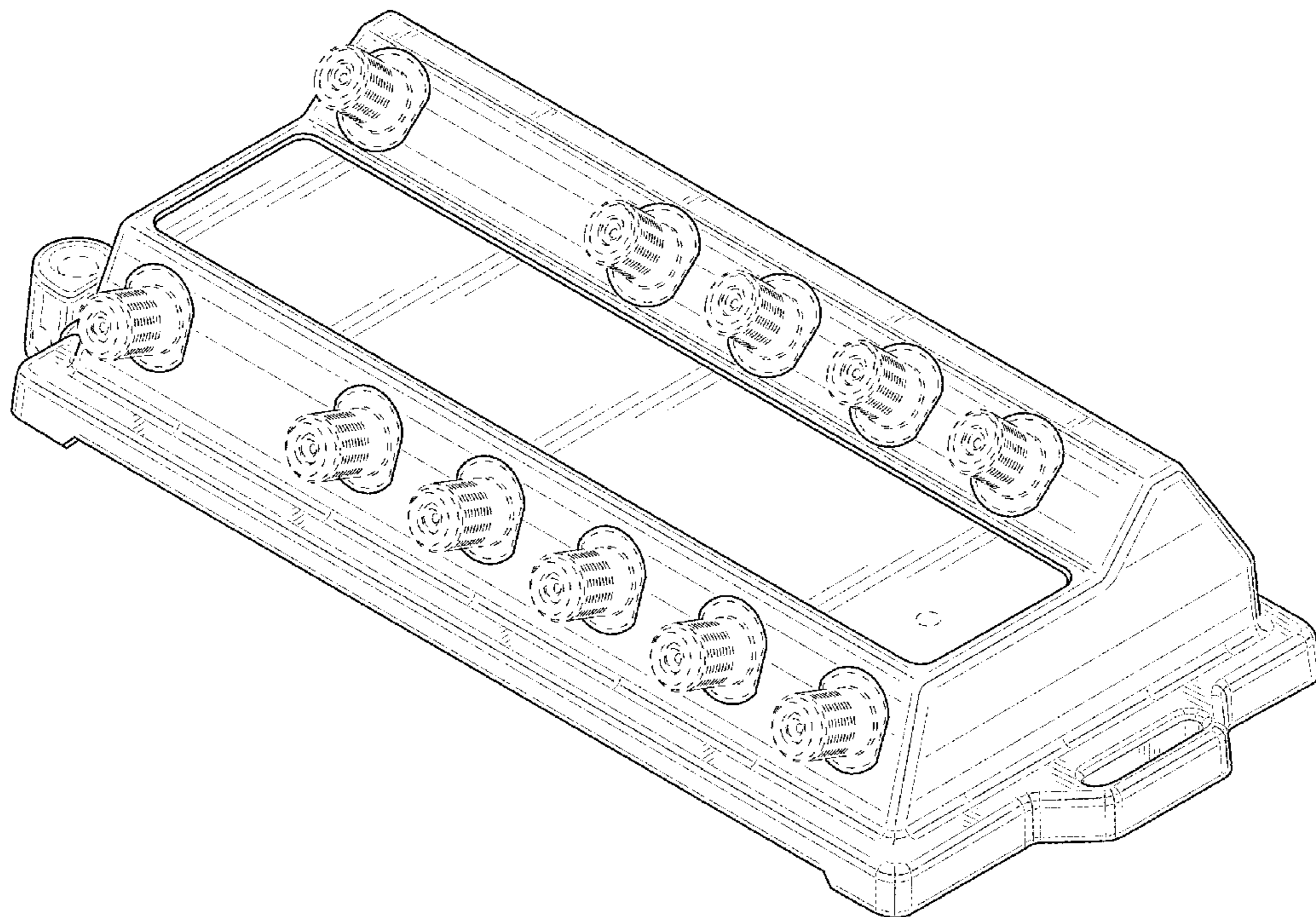
FIG. 5 is a left-side elevational view thereof;

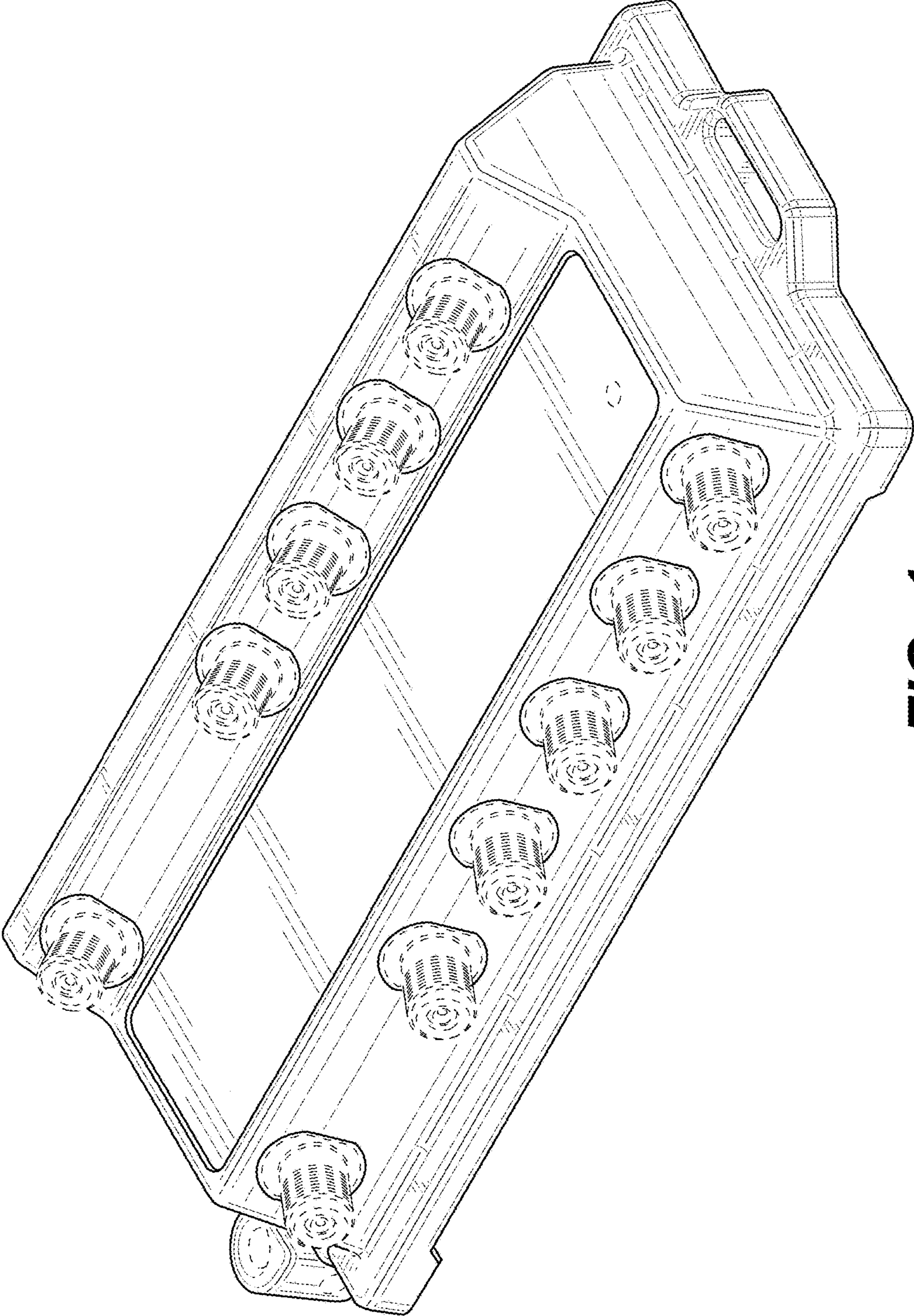
FIG. 6 is a top plan view thereof; and,

FIG. 7 is a bottom plan view thereof.

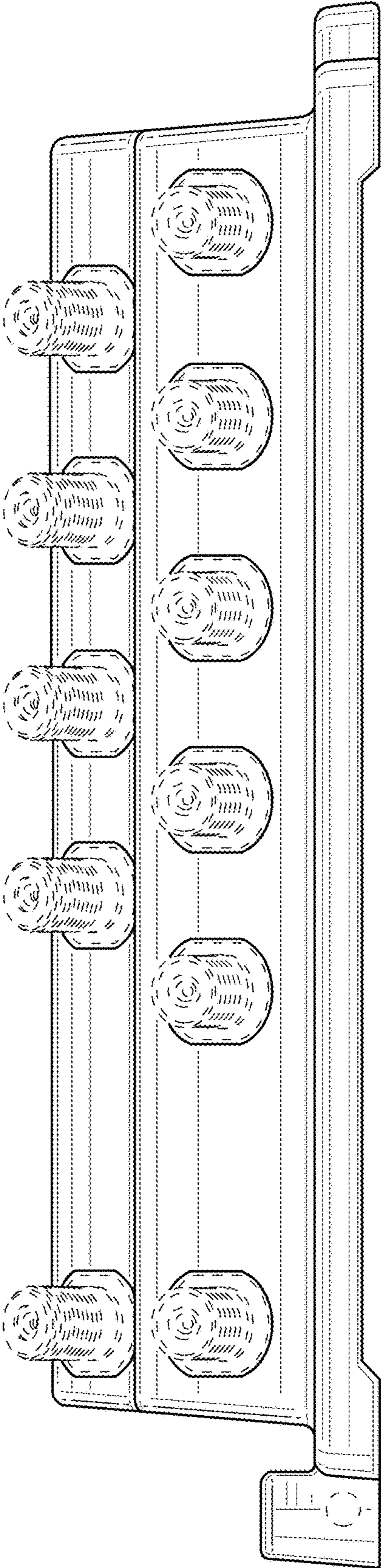
The broken lines depict unclaimed portions of the cable junction device, and thus form no part of the claimed design.

**1 Claim, 7 Drawing Sheets**

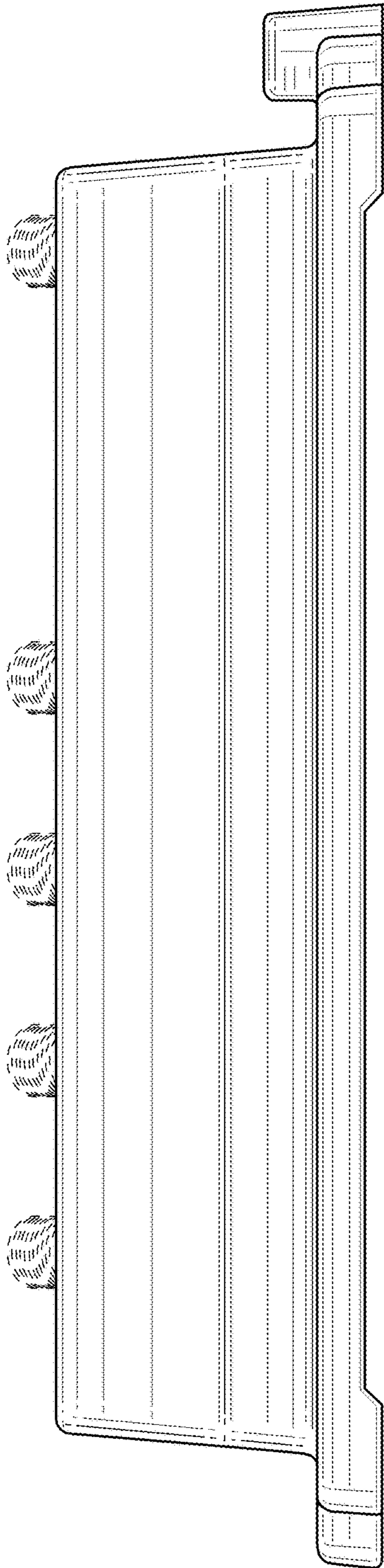




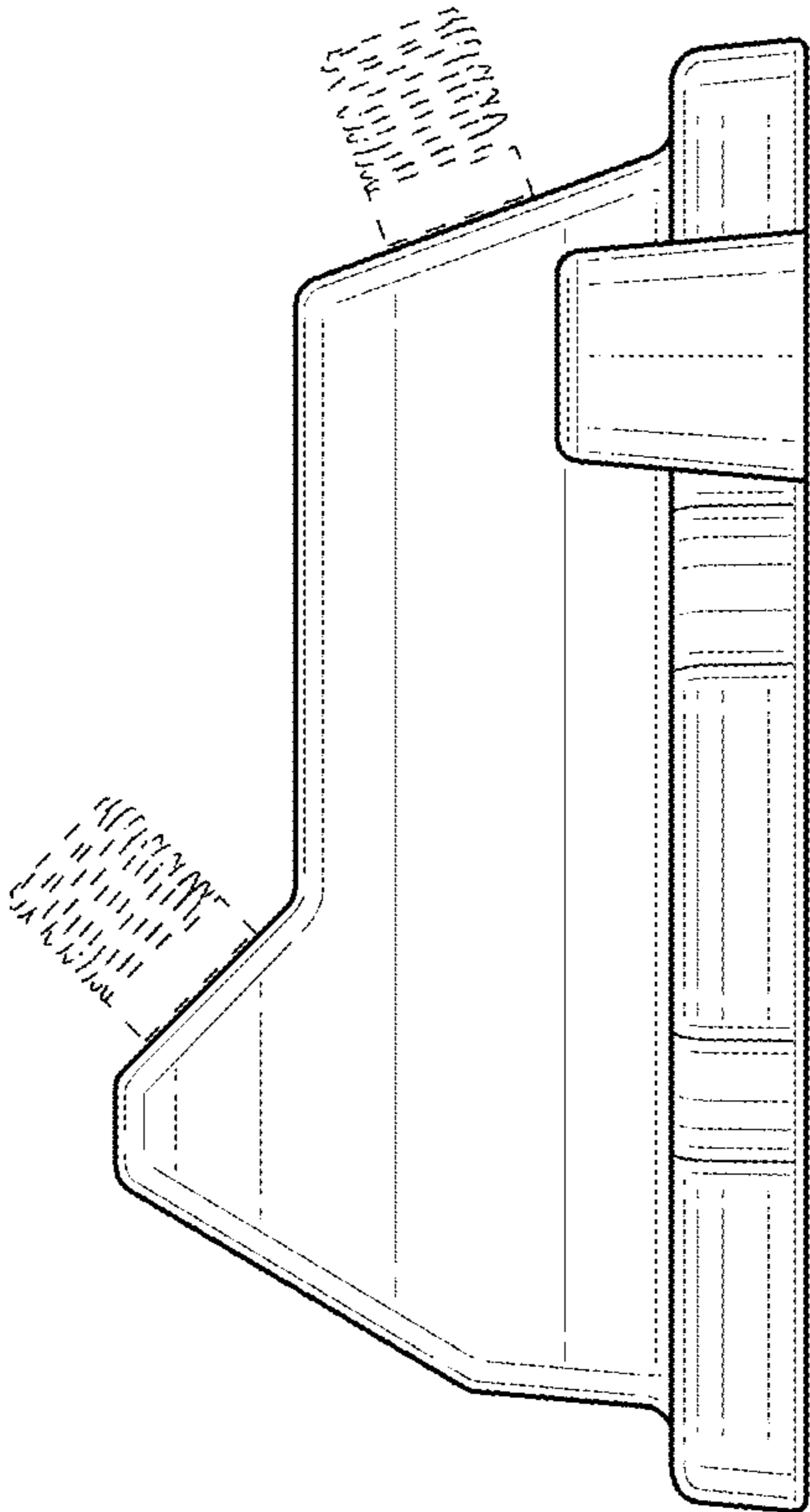
**FIG. 1**



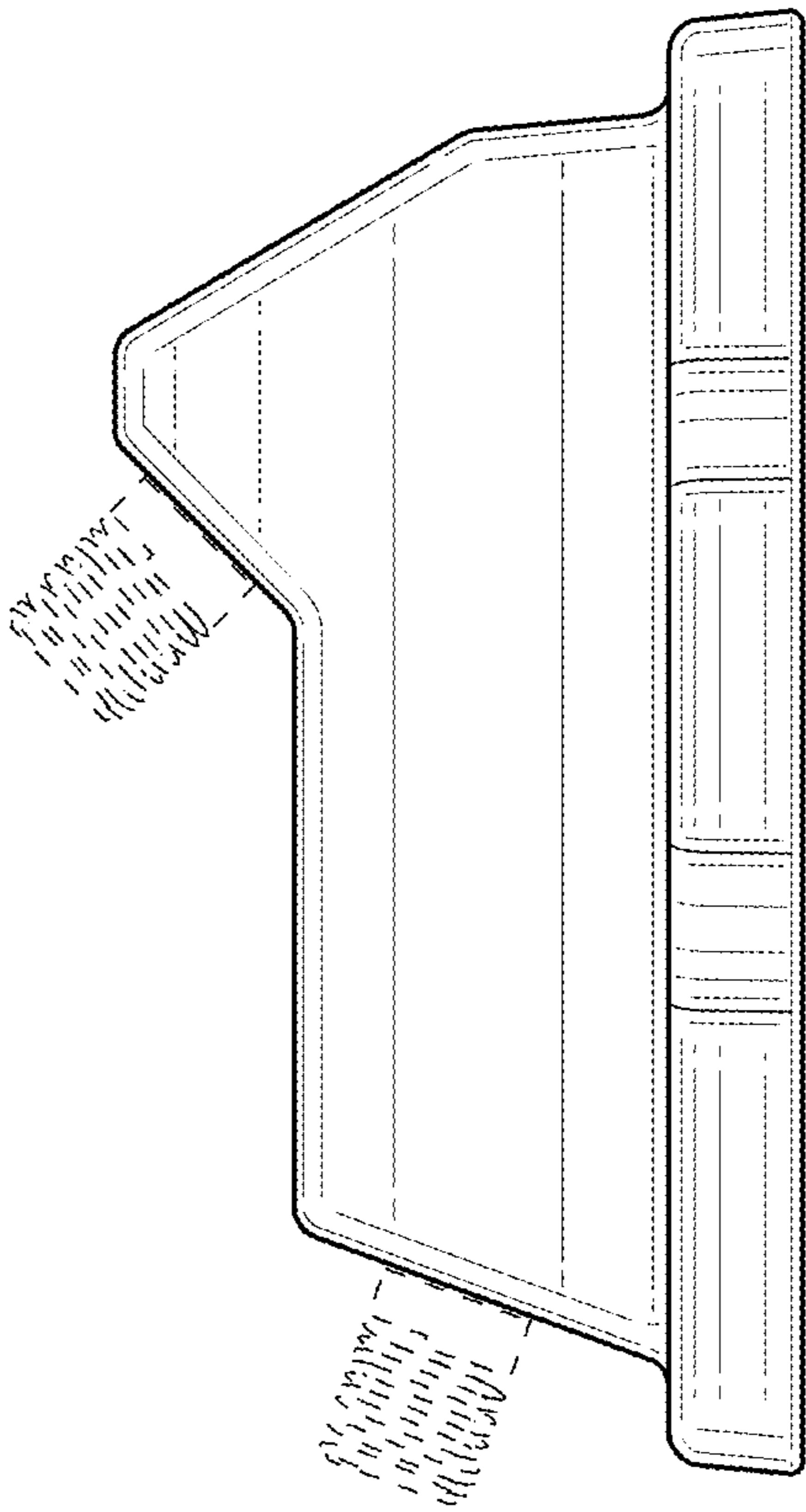
**FIG. 2**



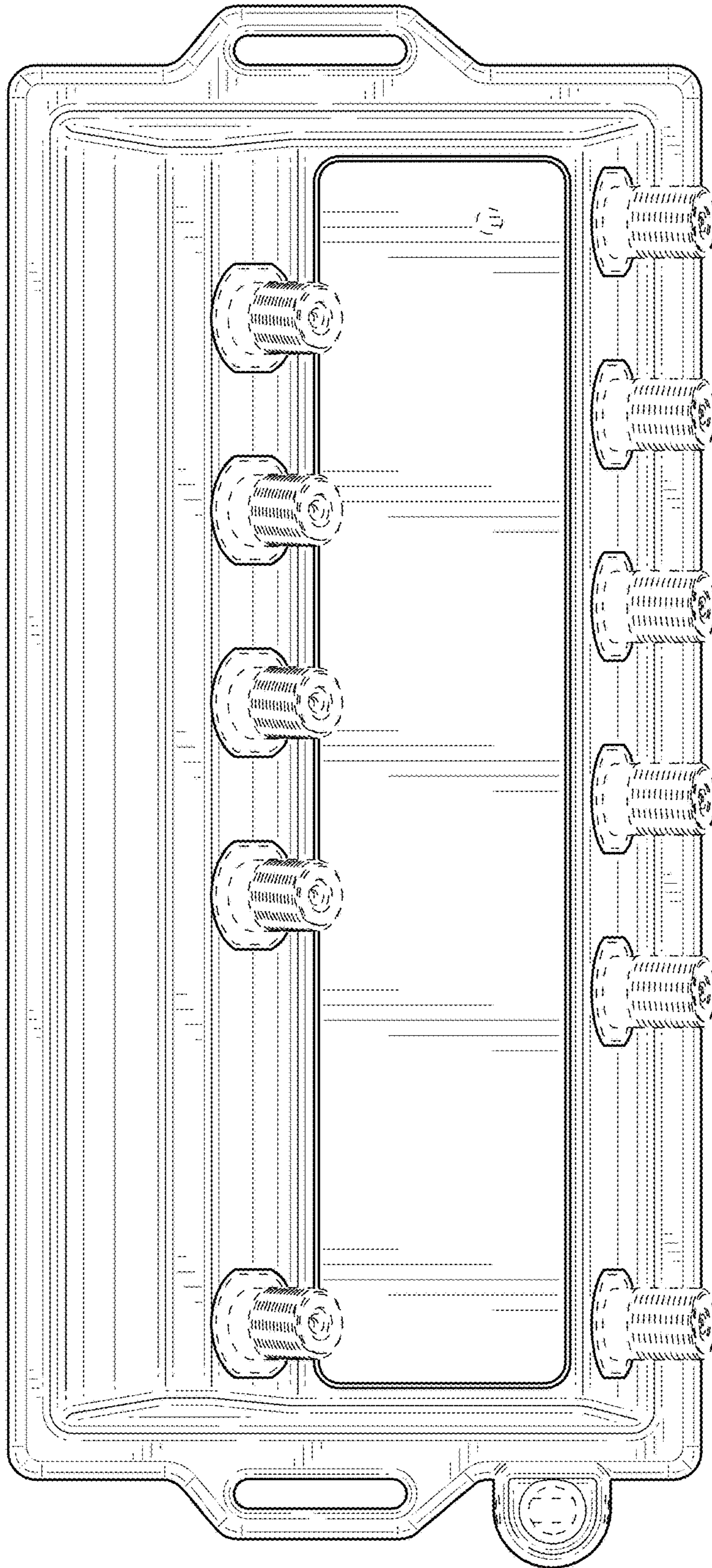
**FIG. 3**



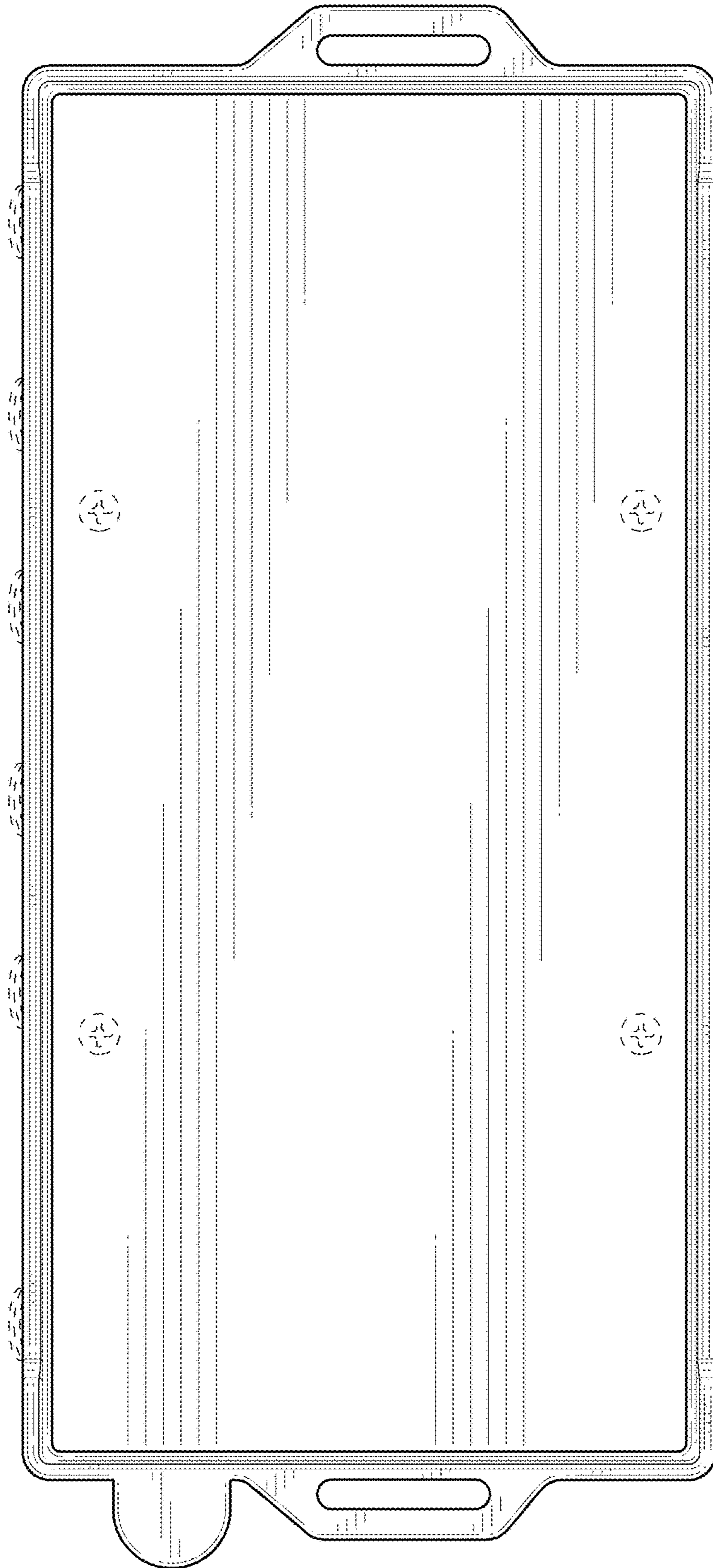
**FIG. 4**



**FIG. 5**



**FIG. 6**



**FIG. 7**