



US00D823255S

(12) **United States Design Patent**
De Jong et al.

(10) **Patent No.:** **US D823,255 S**

(45) **Date of Patent:** **** Jul. 17, 2018**

(54) **FIBER OPTIC CONNECTOR**

G02B 6/32; G02B 6/26; G02B 6/24;
G02B 6/00

See application file for complete search history.

(71) Applicant: **Corning Optical Communications LLC**, Hickory, NC (US)

(56) **References Cited**

(72) Inventors: **Michael De Jong**, Colleyville, TX (US); **Lea Sandra Kobeli**, San Francisco, CA (US); **Edward Wilson Licitra**, San Francisco, CA (US); **Dayne Wilcox**, Menlo Park, CA (US)

U.S. PATENT DOCUMENTS

5,229,656 A * 7/1993 Okugawa B24B 19/226
327/65
5,867,621 A * 2/1999 Luther G02B 6/3885
385/59

(Continued)

(73) Assignee: **Corning Optical Communications LLC**, Hickory, NC (US)

FOREIGN PATENT DOCUMENTS

WO 2016053852 A1 4/2016

(**) Term: **15 Years**

OTHER PUBLICATIONS

(21) Appl. No.: **29/573,469**

Things You Should Know About MPO/MTP, posted at Fs.com, posted on Jun. 6, 2013, [online], [site visited May 23, 2017]. Available from Internet, <<http://www.fs.com/blog/things-you-should-know-about-mpomtp-fiber-cable.html>>.*

(22) Filed: **Aug. 5, 2016**

(Continued)

(51) **LOC (11) Cl.** **13-03**

Primary Examiner — Mary Ann Calabrese

(52) **U.S. Cl.**

Assistant Examiner — Catherine Ho

USPC **D13/133**

(57) **CLAIM**

(58) **Field of Classification Search**

The design for a fiber optic connector, as shown and described.

USPC D13/101, 102, 103, 107, 108, 110, 118,
D13/119, 123, 133, 134, 135, 146, 147,
D13/148, 149, 150, 151, 153, 154, 155,
D13/156, 173, 184, 199

DESCRIPTION

CPC H01R 13/40; H01R 13/64; H01R 13/66;
H01R 4/00; H01R 4/60; H01R 4/66;
H01R 13/00; H01R 13/44; H01R 13/52;
H01R 13/58; H01R 13/62; H01R 24/38;
H01R 43/00; H01R 43/18; H01R 43/22;
G02B 6/38; G02B 6/4442; G02B 6/42;
G02B 6/40; G02B 6/3897; G02B 6/36;

FIG. 1 is a perspective view of a fiber optic connector, showing our new design.

FIG. 2 is a front side elevation view of the fiber optic connector of FIG. 1.

FIG. 3 is a back side elevation view of the fiber optic connector of FIG. 1.

FIG. 4 is a right side elevation view of the fiber optic connector of FIG. 1.

FIG. 5 is a left side elevation view of the fiber optic connector of FIG. 1.

(Continued)

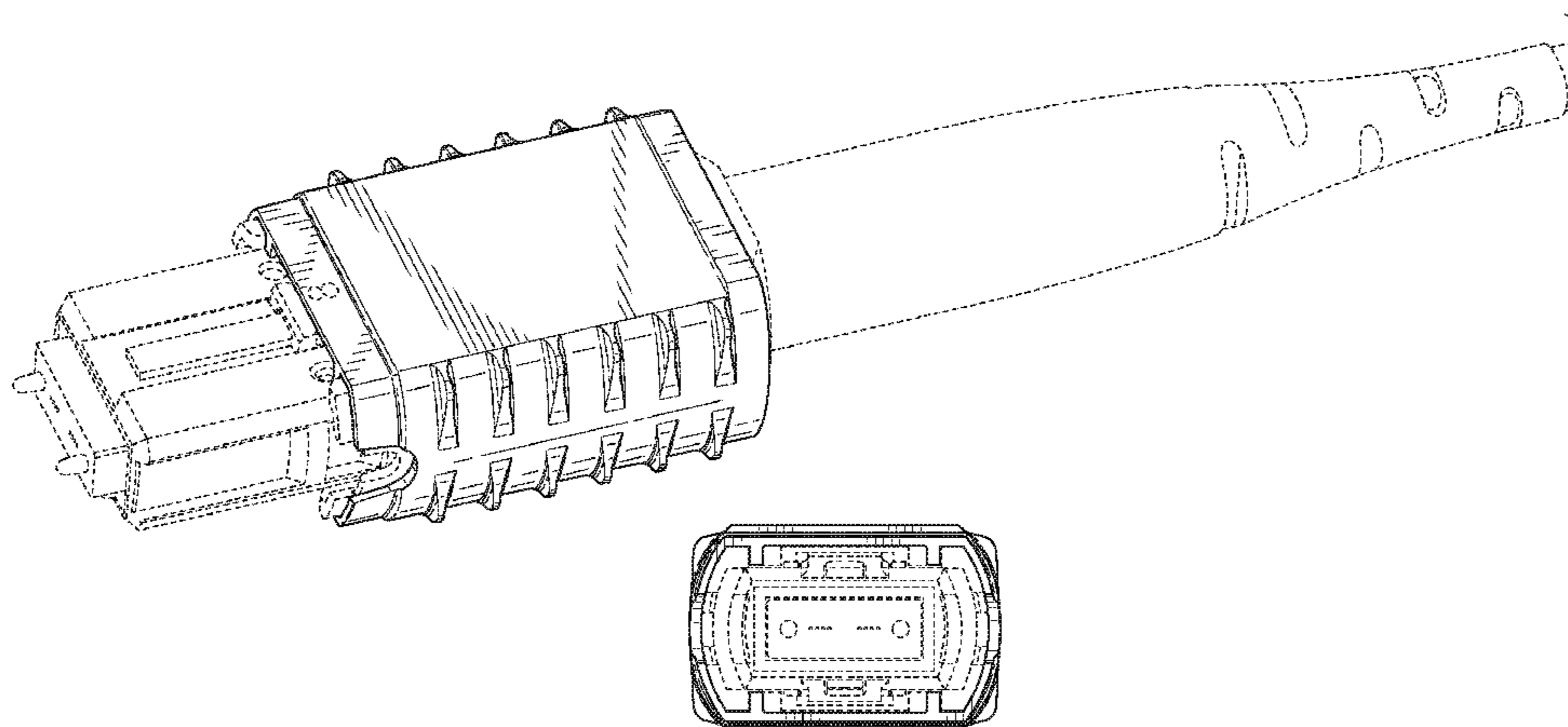


FIG. 6 is a top plan view of the fiber optic connector of FIG. 1; and, FIG. 7 is a bottom view of the fiber optic connector of FIG. 1.

The broken line portion of the figure drawings is included to show portions of the article that form no part of the claimed design.

1 Claim, 4 Drawing Sheets

(56)

References Cited

U.S. PATENT DOCUMENTS

| | | | | |
|-----------|------|---------|-----------------|-------------|
| 6,196,732 | B1 * | 3/2001 | Tamekuni | B24B 19/226 |
| | | | | 385/78 |
| 6,439,780 | B1 * | 8/2002 | Mudd | G02B 6/3807 |
| | | | | 385/83 |
| 6,464,408 | B1 * | 10/2002 | Nolan | G02B 6/3807 |
| | | | | 385/56 |
| 8,559,781 | B2 | 10/2013 | Childers et al. | |
| 8,757,894 | B2 | 6/2014 | Katoh | |
| 8,855,458 | B2 | 10/2014 | Belenkiy et al. | |
| 9,323,007 | B1 * | 4/2016 | Yang | G02B 6/3825 |

| | | | | |
|--------------|------|---------|-----------------|-------------|
| 9,618,702 | B2 * | 4/2017 | Takano | G02B 6/3825 |
| 9,658,409 | B2 * | 5/2017 | Gniadek | G02B 6/3895 |
| 2002/0006261 | A1 * | 1/2002 | Krow, Jr. | G02B 6/3807 |
| | | | | 385/134 |
| 2008/0260333 | A1 * | 10/2008 | Roth | G02B 6/3869 |
| | | | | 385/72 |
| 2011/0188814 | A1 * | 8/2011 | Chen | G02B 6/36 |
| | | | | 385/79 |
| 2012/0093467 | A1 | 4/2012 | Mullady et al. | |
| 2013/0121653 | A1 * | 5/2013 | Shitama | G02B 6/255 |
| | | | | 385/96 |
| 2015/0023646 | A1 | 1/2015 | Belenkiy et al. | |
| 2016/0349459 | A1 * | 12/2016 | Collier | G02B 6/3849 |

OTHER PUBLICATIONS

How to Change Polarity and Gender on PanMPO, posted at Youtube.com, posted on Apr. 3, 2014, [online], [site visited May 23, 2017]. Available from Internet, <https://www.youtube.com/watch?v=YpH_y9imHis>.*

The New Flexible MPO Connector, posted at Youtube.com, posted on Feb. 1, 2016, [online], [site visited May 23, 2017]. Available from Internet, <<https://www.youtube.com/watch?v=-tNdryH2NwM>>.*

* cited by examiner

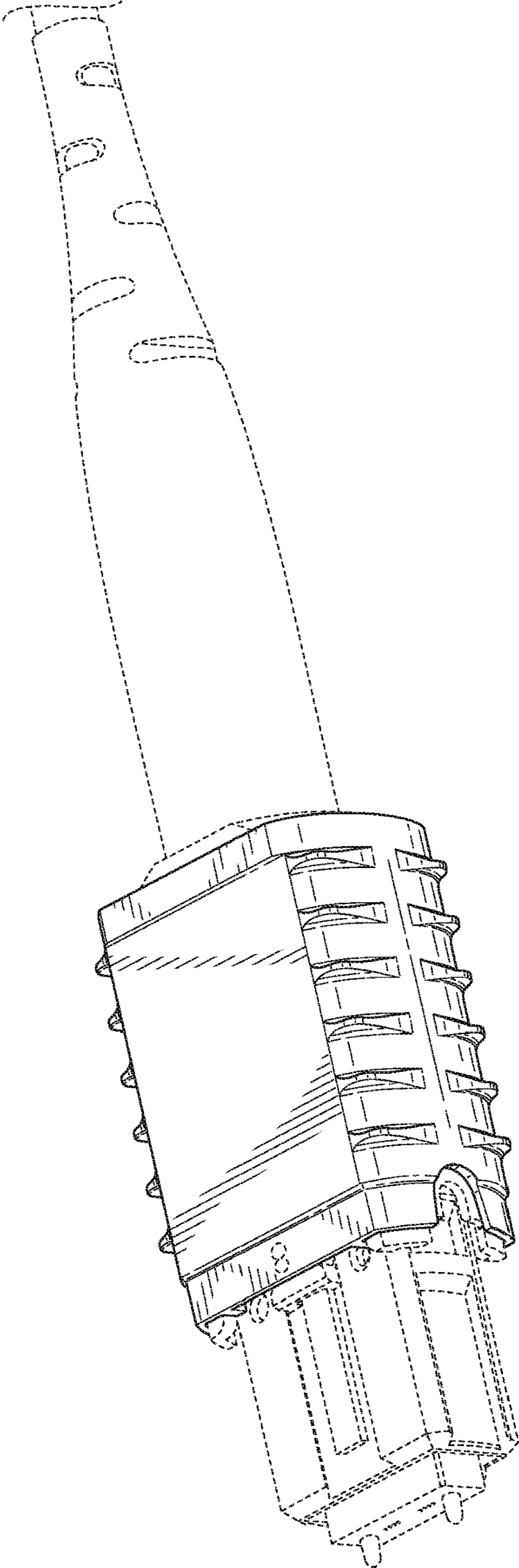


FIG. 7

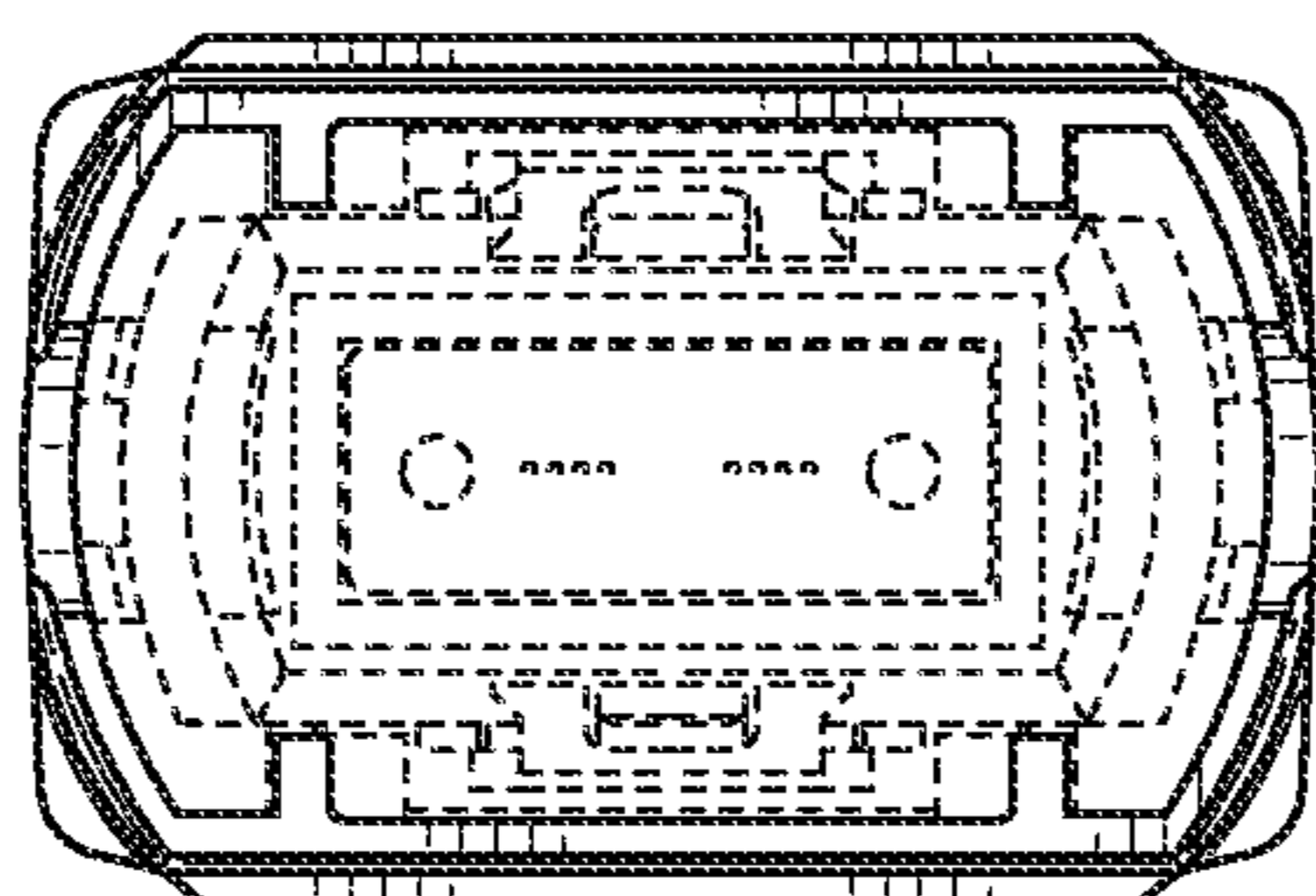


FIG. 2

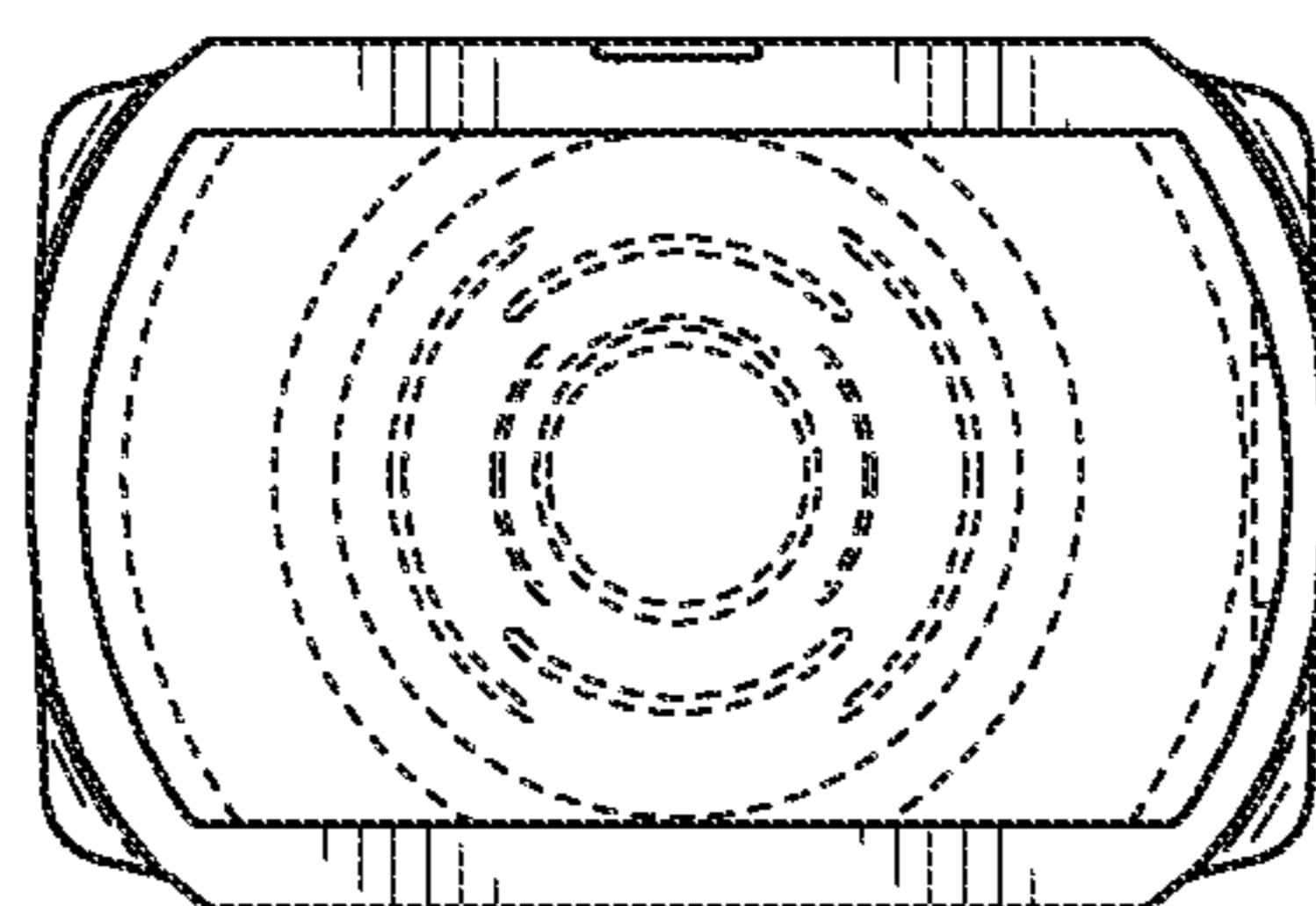


FIG. 3

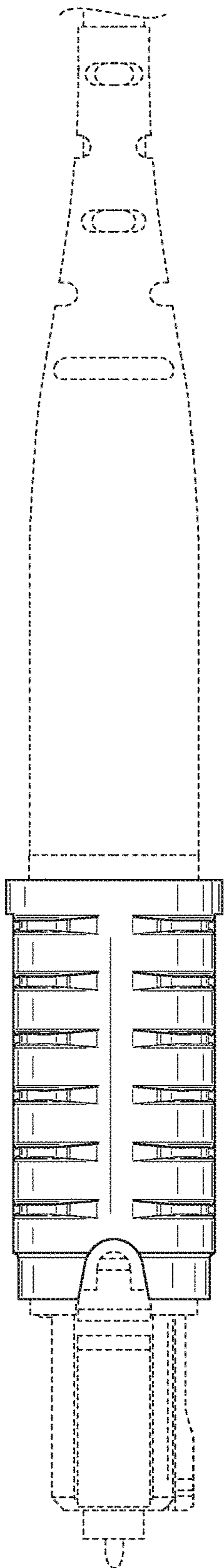


FIG. 4

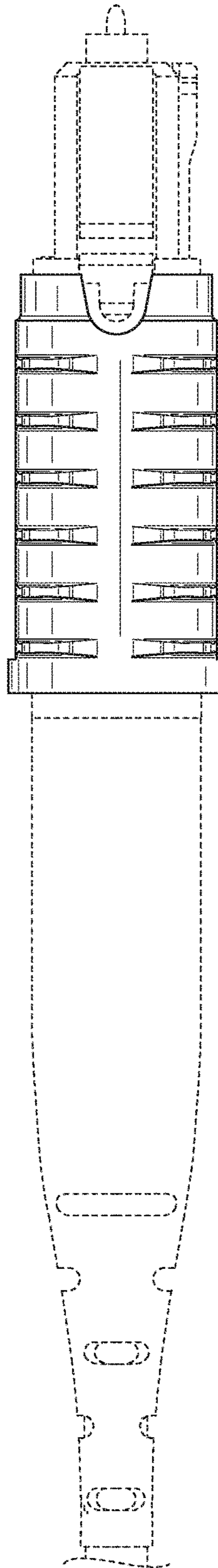


FIG. 5

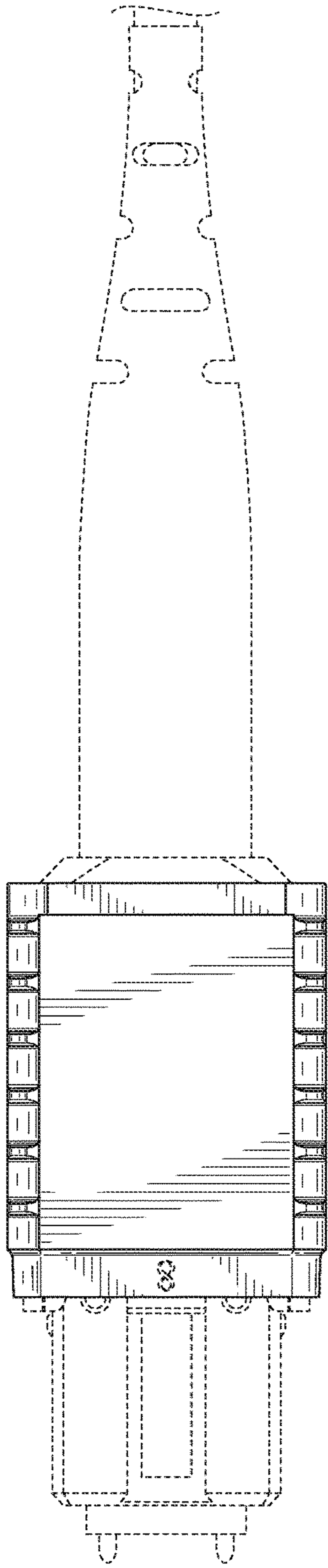


FIG. 6

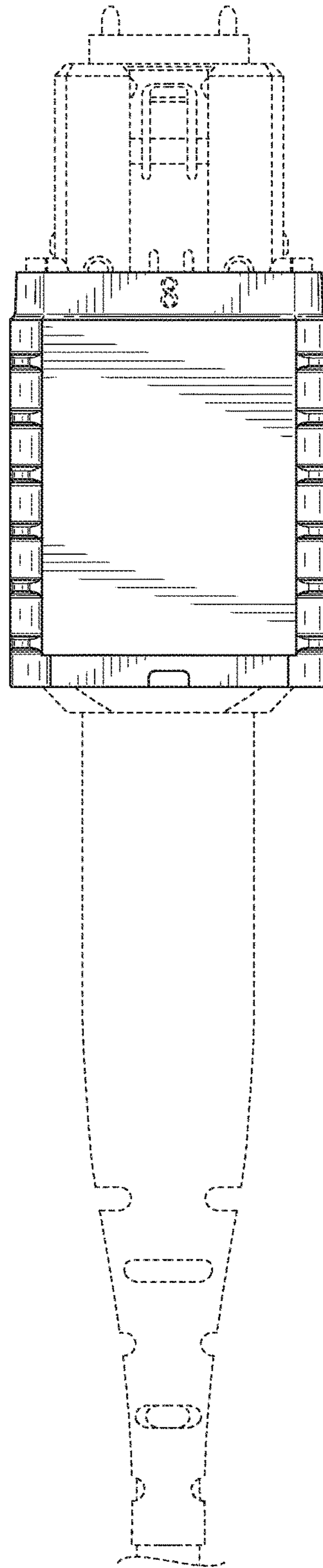


FIG. 7