



US00D823254S

(12) **United States Design Patent**
Wang et al.

(10) **Patent No.:** **US D823,254 S**
(45) **Date of Patent:** **** Jul. 17, 2018**

(54) **ELECTRICAL CONNECTOR HOUSING**

(71) Applicant: **Hangzhou Timing Security Technologies Co., Ltd.**, Zhejiang (CN)

(72) Inventors: **Lin Wang**, Hangzhou (CN); **Peter Morello, Sr.**, Stuart, FL (US)

(73) Assignee: **Hangzhou Timing Security Technologies Co., LTD.**, Hangzhou, Zhejiang (CN)

(**) Term: **15 Years**

(21) Appl. No.: **29/570,028**

(22) Filed: **Jul. 2, 2016**

Related U.S. Application Data

(62) Division of application No. 14/929,721, filed on Nov. 2, 2015, now Pat. No. 9,489,808.

(51) **LOC (11) Cl.** **13-03**

(52) **U.S. Cl.**
USPC **D13/133; D10/104.1**

(58) **Field of Classification Search**
USPC **D13/118–120, 122, 123, 133, 144, 146, D13/147, 149–151, 153, 154, 173, 174,**
(Continued)

(56) **References Cited**

U.S. PATENT DOCUMENTS

D378,579 S * 3/1997 Liu D10/106.92
D426,168 S * 6/2000 Adamczewski D10/46
(Continued)

Primary Examiner — Thomas Johannes
Assistant Examiner — Shawn T Gingrich
(74) *Attorney, Agent, or Firm* — Peter K. Trzyna, Esq.

(57) **CLAIM**

The ornamental design for an electrical connector housing, as shown and described herein.

DESCRIPTION

FIG. 1 is a front side elevational view of our electrical connector housing design for a first embodiment.

FIG. 2 is a back side elevational view of our electrical connector housing, showing our new design, for the embodiment in FIG. 1.

FIG. 3 is a right side elevational view of our electrical connector housing, showing our new design, for the embodiment in FIG. 1.

FIG. 4 is a left side elevational view of our electrical connector housing, showing our new design, for the embodiment in FIG. 1.

FIG. 5 is a perspective view of our electrical connector housing, showing our new design, for the embodiment in FIG. 1.

FIG. 6 is a plan (top) view of our electrical connector housing, showing our new design, for the embodiment in FIG. 1.

FIG. 7 is a bottom elevational view of our electrical connector housing, showing our new design, for the embodiment in FIG. 1.

FIG. 8 is a front side elevational view of our electrical connector housing, showing our new design, for a second embodiment.

FIG. 9 is a back side elevational view of our electrical connector housing, showing our new design, for the embodiment in FIG. 8.

FIG. 10 is a right side elevational view of our electrical connector housing, showing our new design, for the embodiment in FIG. 8.

FIG. 11 is a left side elevational view of our electrical connector housing, showing our new design, for the embodiment in FIG. 8.

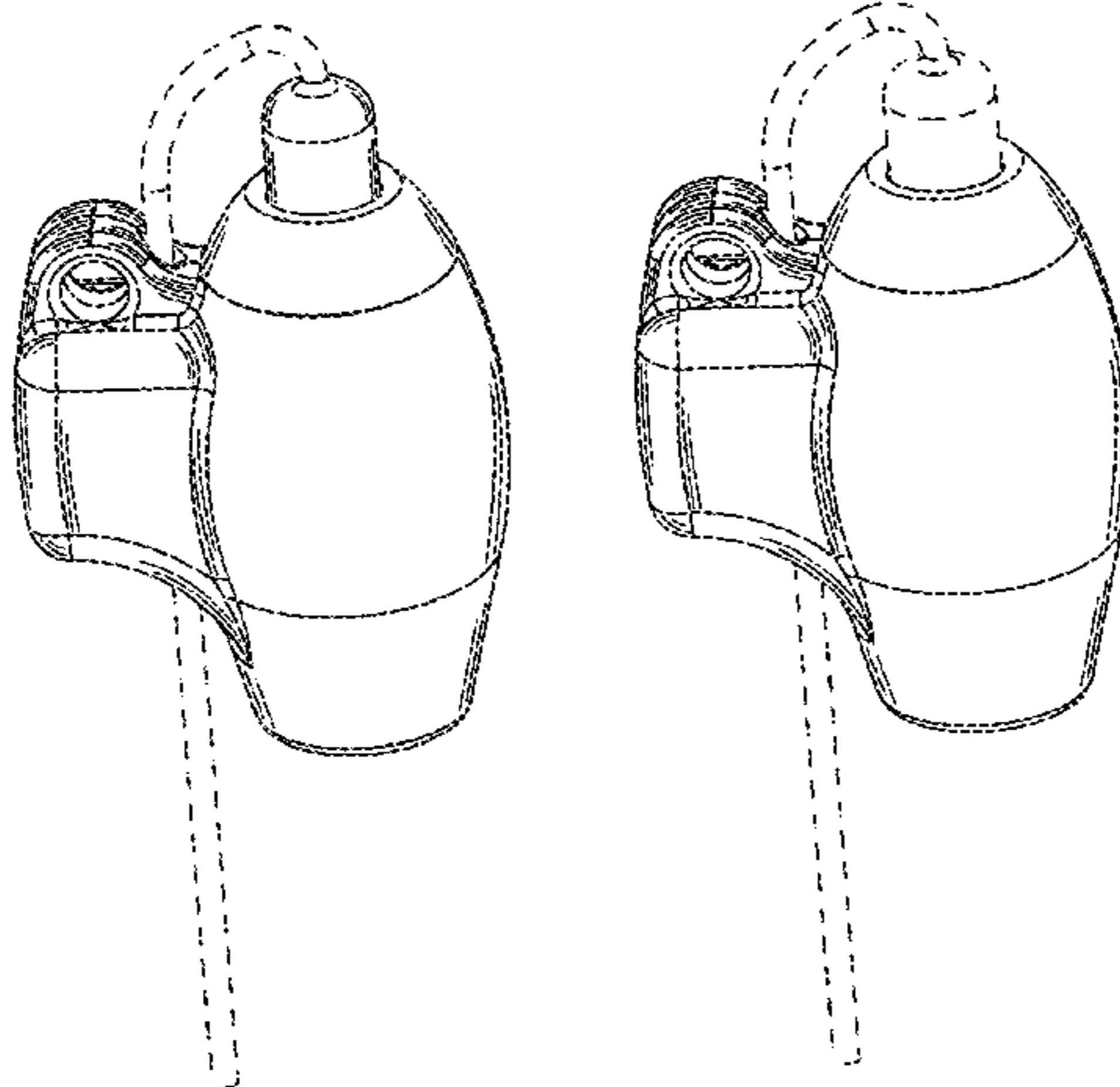
FIG. 12 is a perspective view of our electrical connector housing, showing our new design, for the embodiment in FIG. 8.

FIG. 13 is a plan (top) view of our electrical connector housing, showing our new design, for the embodiment in FIG. 8; and,

FIG. 14 is a bottom elevational view of our electrical connector housing, showing our new design, for the embodiment in FIG. 8.

The broken line portion of the figure drawings is included to show portions of the article that form no part of the claimed design.

1 Claim, 6 Drawing Sheets



(58) **Field of Classification Search**

USPC D13/178, 184, 199; D14/432, 433;
D10/104.1, 106.1, 106.9, 106.93, 109.94,
D10/121

CPC H01R 4/50; H01R 13/436; H01R 13/52;
H01R 13/627; H01R 13/6272; H01R
13/629; H01R 13/633; H01R 13/639;
H01R 13/64; H01R 13/641; H01R 24/60;
G08B 3/10; G08B 21/14; G08B 21/18;
G08B 13/00; G08B 13/12; G08B 13/14

See application file for complete search history.

(56) **References Cited**

U.S. PATENT DOCUMENTS

D468,265	S *	1/2003	Cook	D13/144
D600,206	S *	9/2009	Ledbetter	D13/110
D602,866	S *	10/2009	Harada	D13/122
D639,243	S *	6/2011	Gharib	D13/133
D725,036	S *	3/2015	Alesi	D13/110
9,489,808	B1 *	11/2016	Wang	G08B 13/1463
9,711,032	B1 *	7/2017	Wang	G08B 21/18
2008/0163654	A1 *	7/2008	Avganim	E05B 73/0005 70/58
2010/0173525	A1 *	7/2010	Milstein	H01R 24/58 439/607.41

* cited by examiner

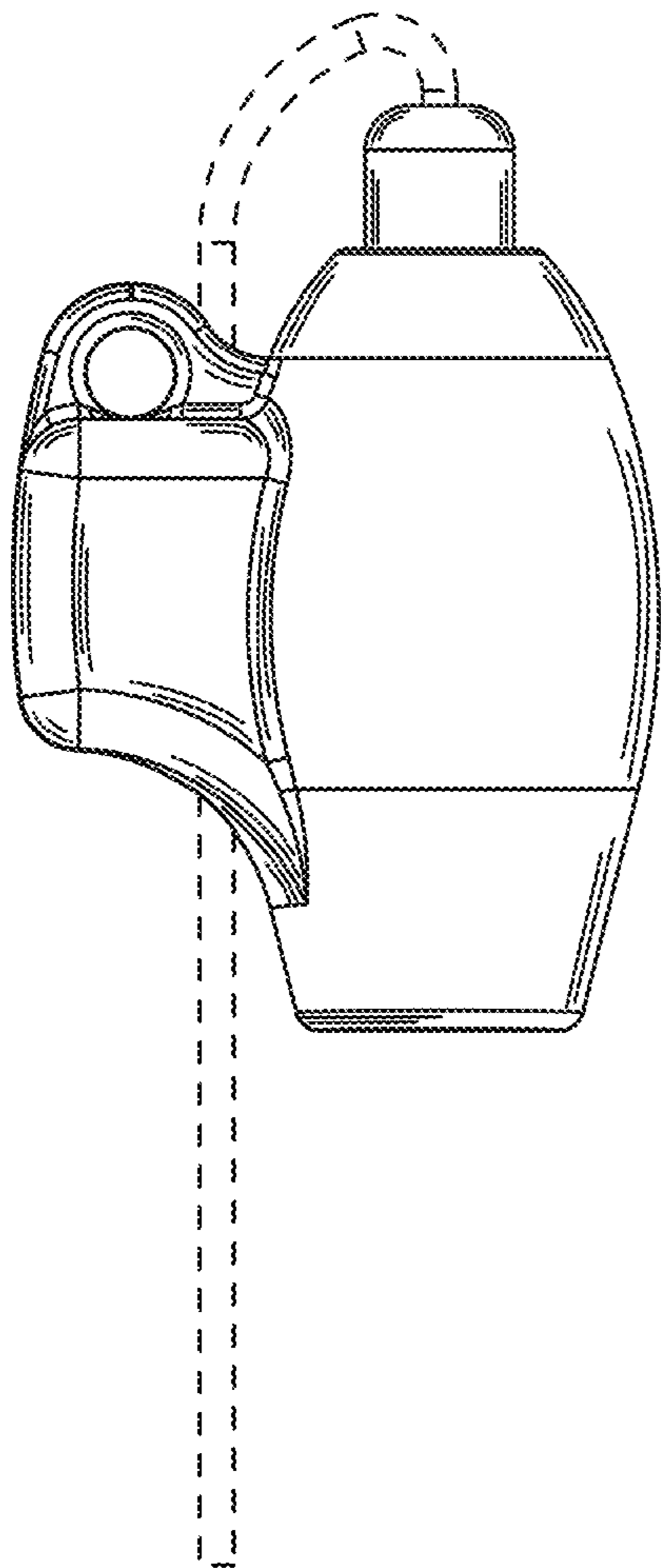


FIG. 1

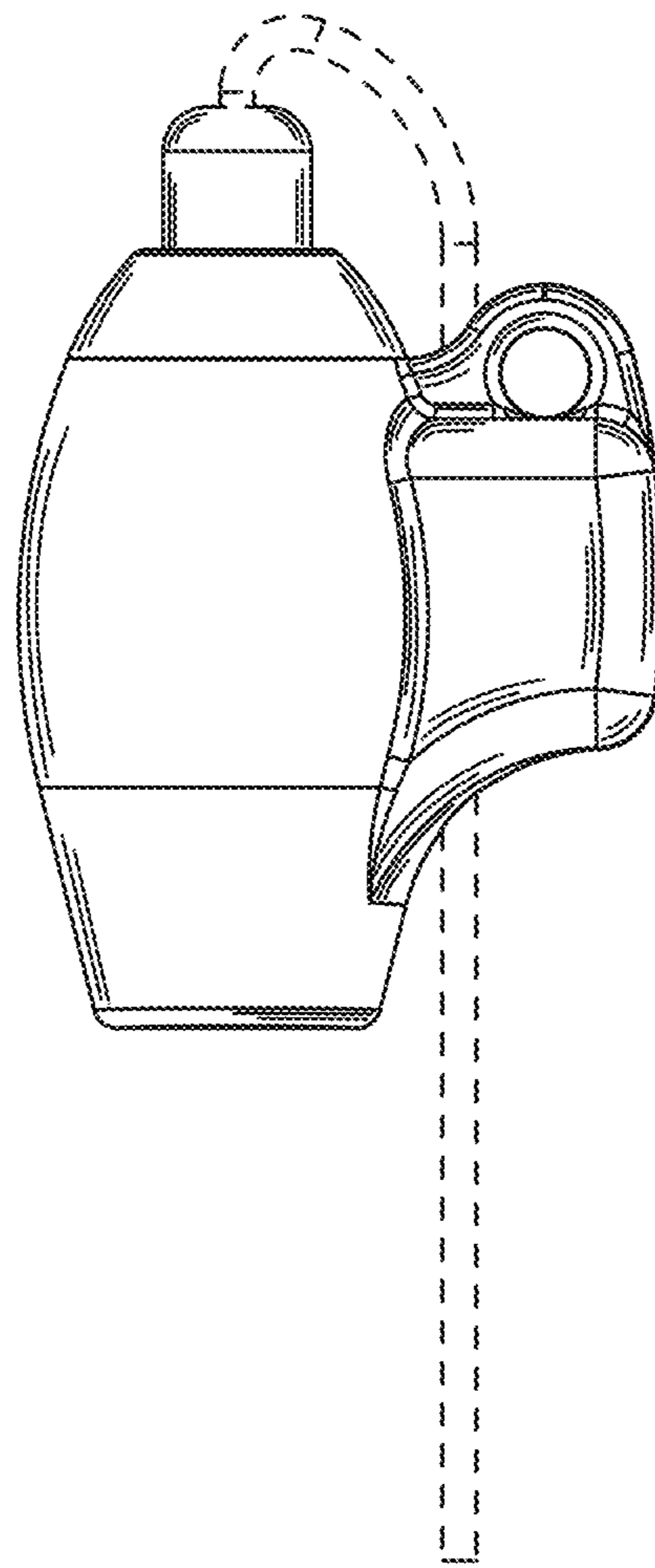


FIG. 2

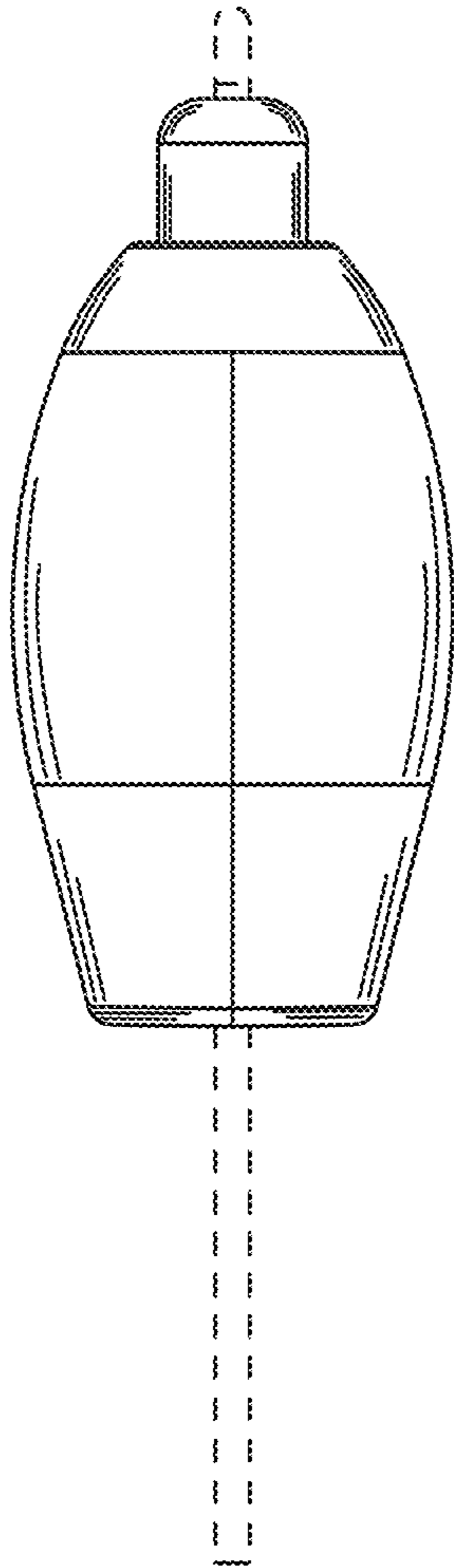
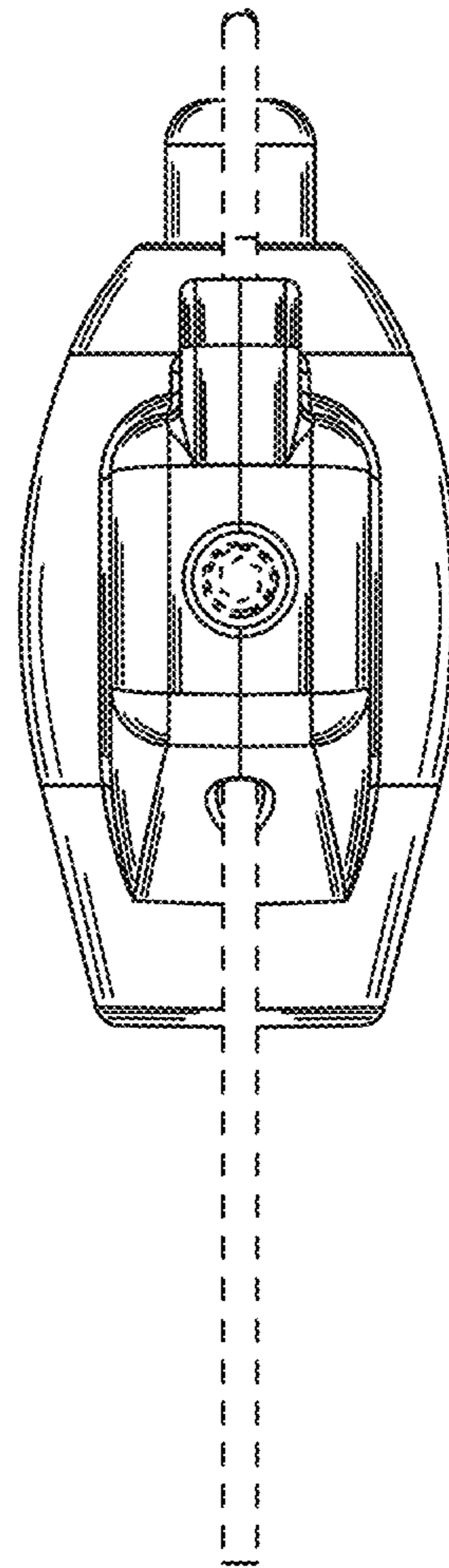


FIG. 3

FIG. 4



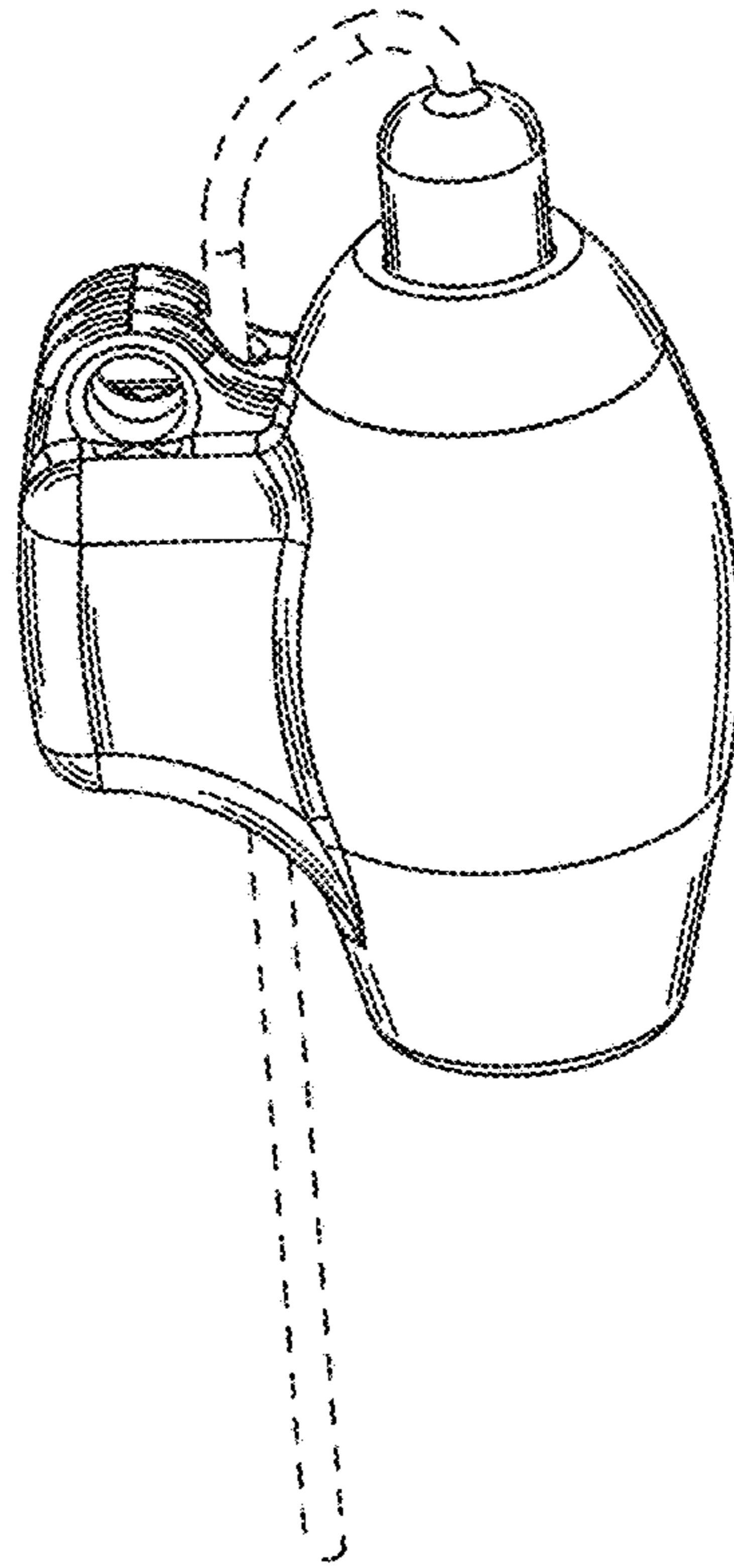


FIG. 5

FIG. 6

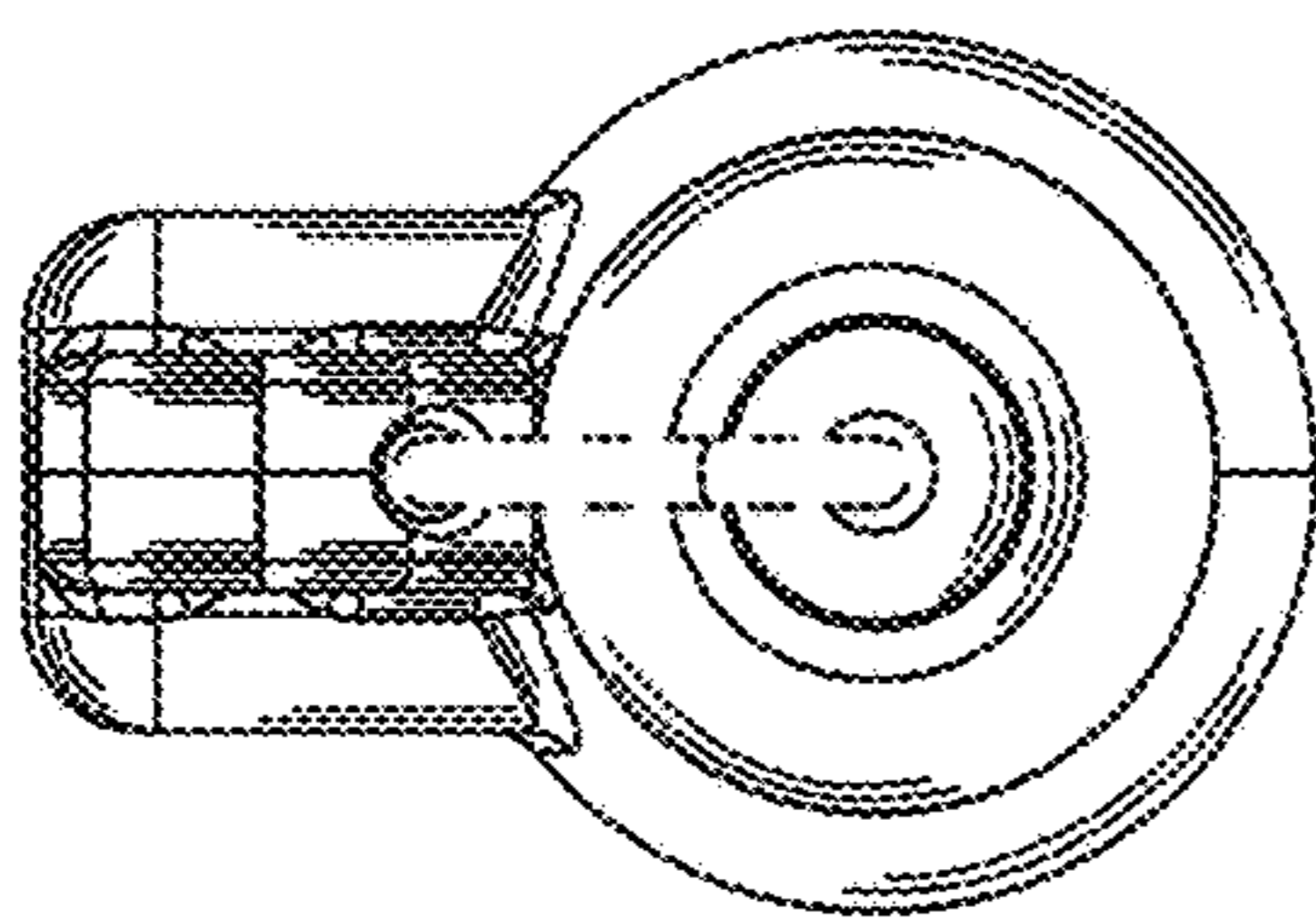
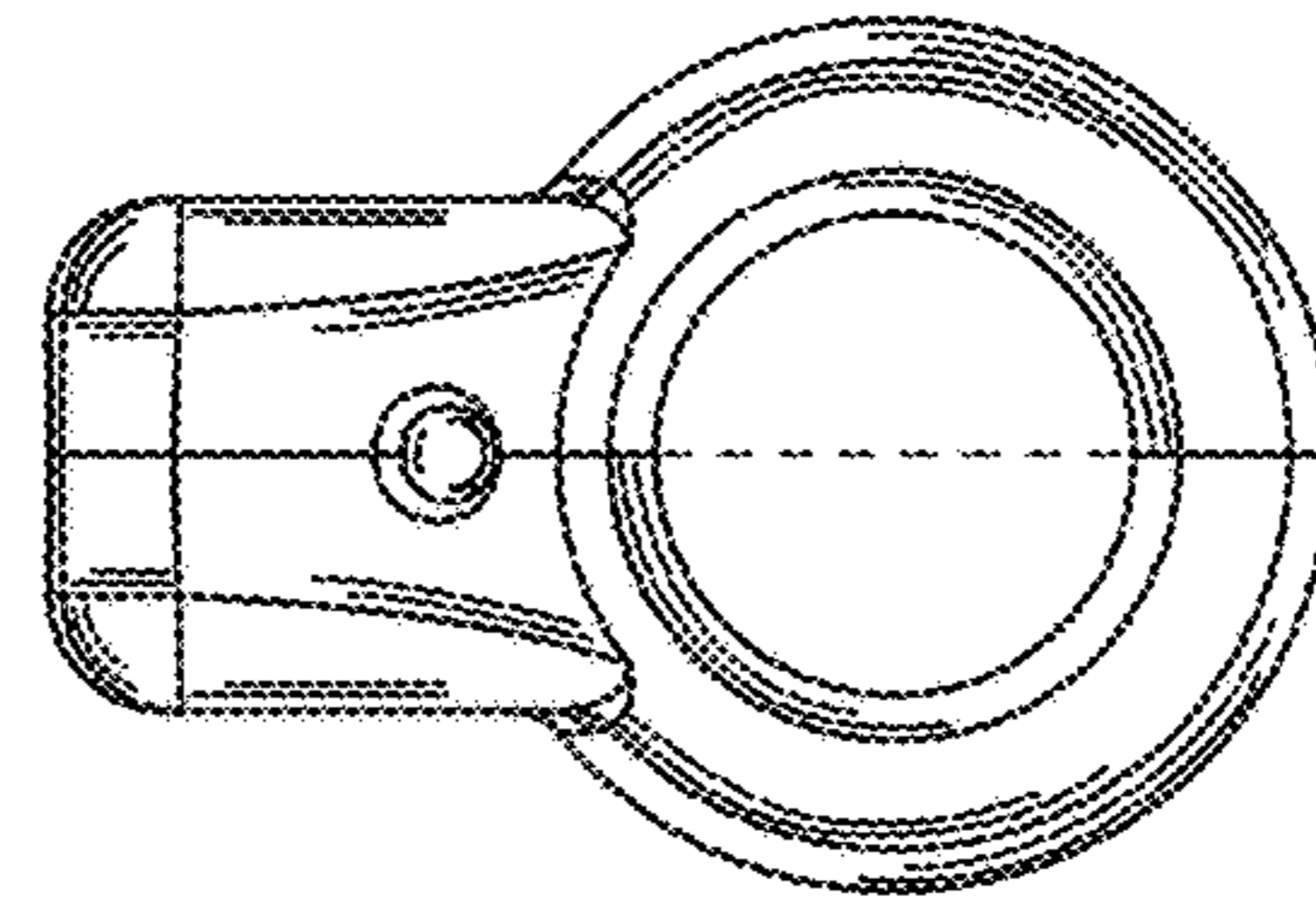


FIG. 7



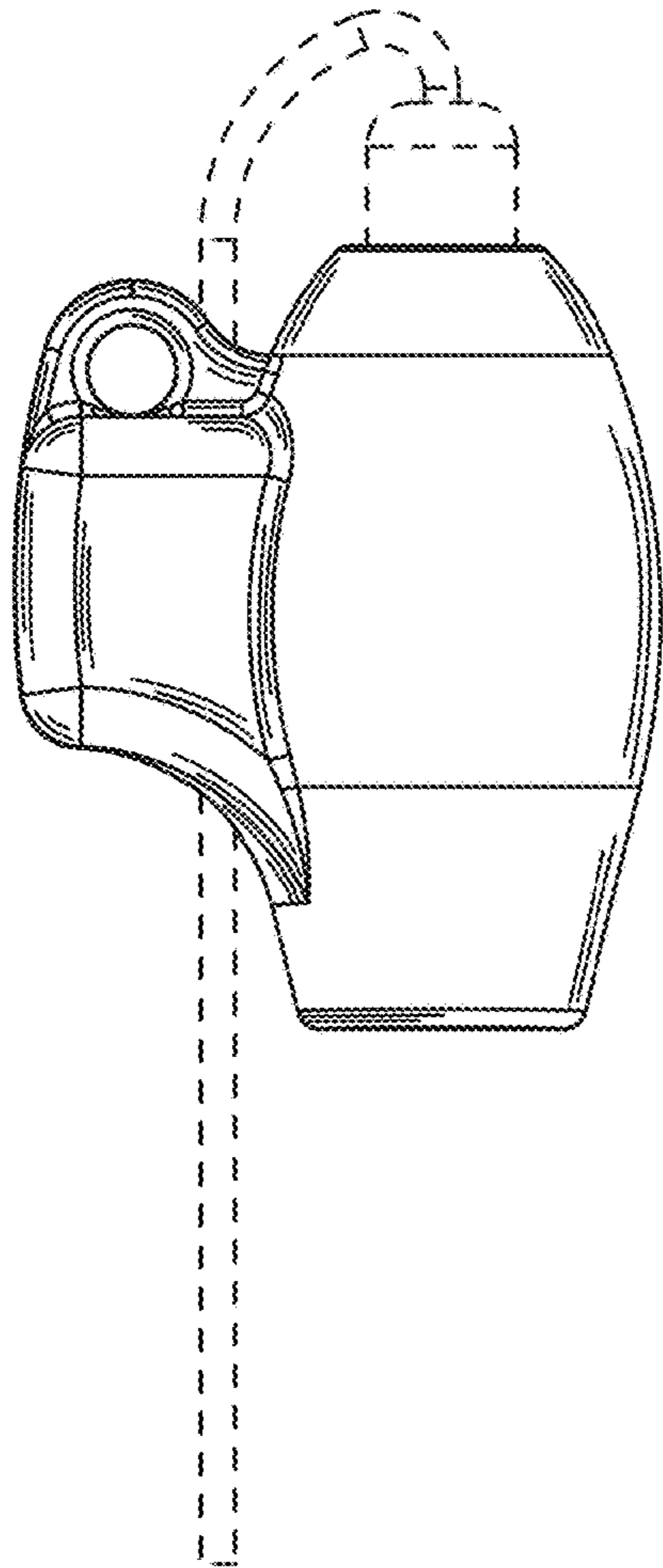


FIG. 8

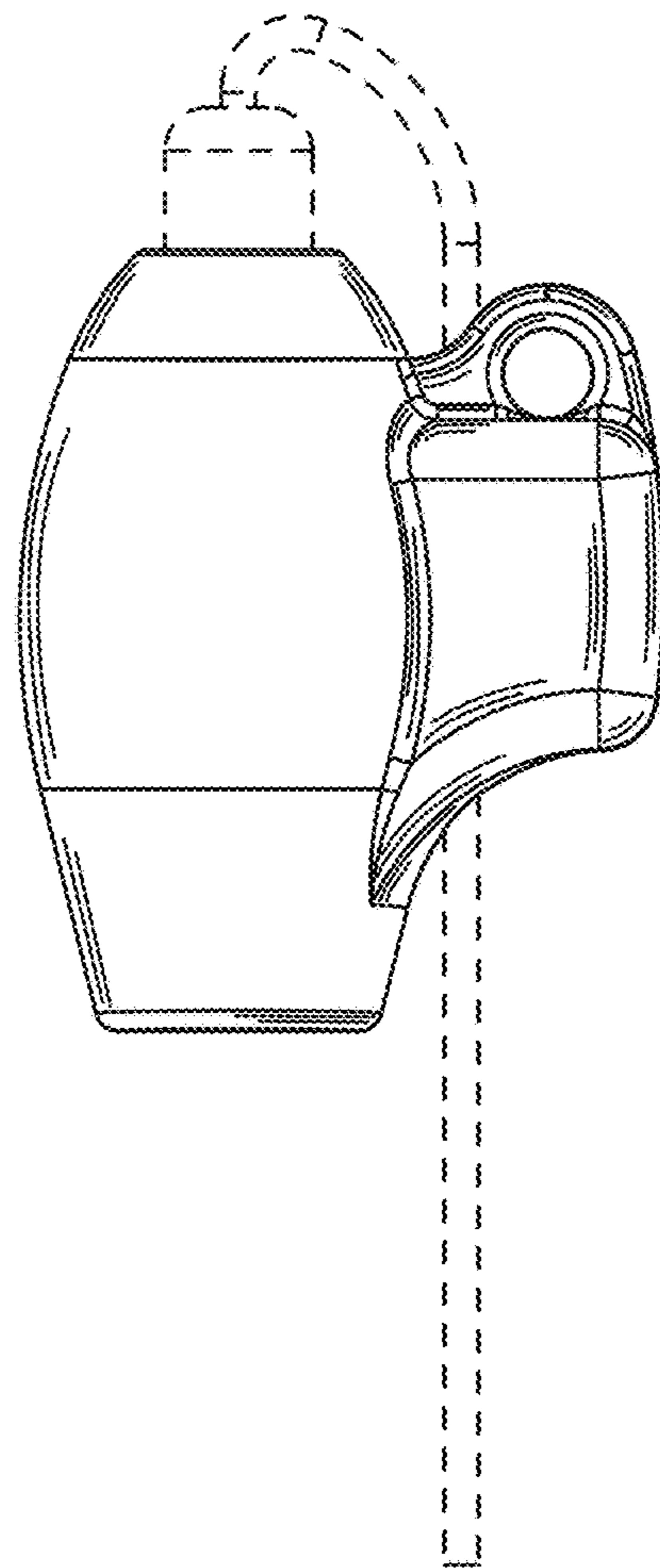


FIG. 9

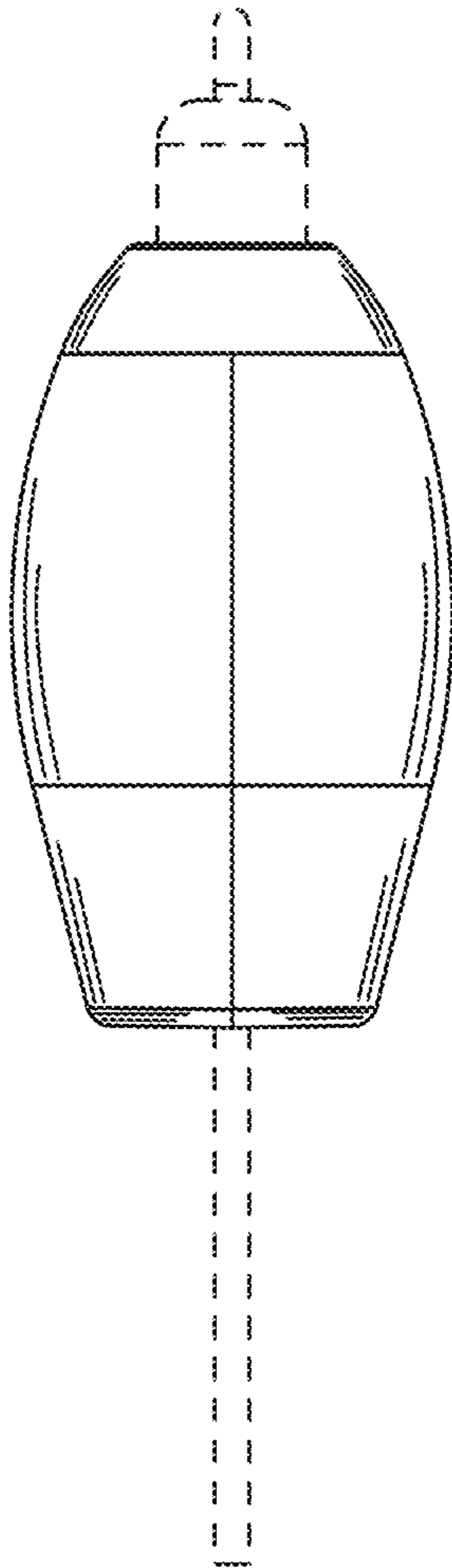
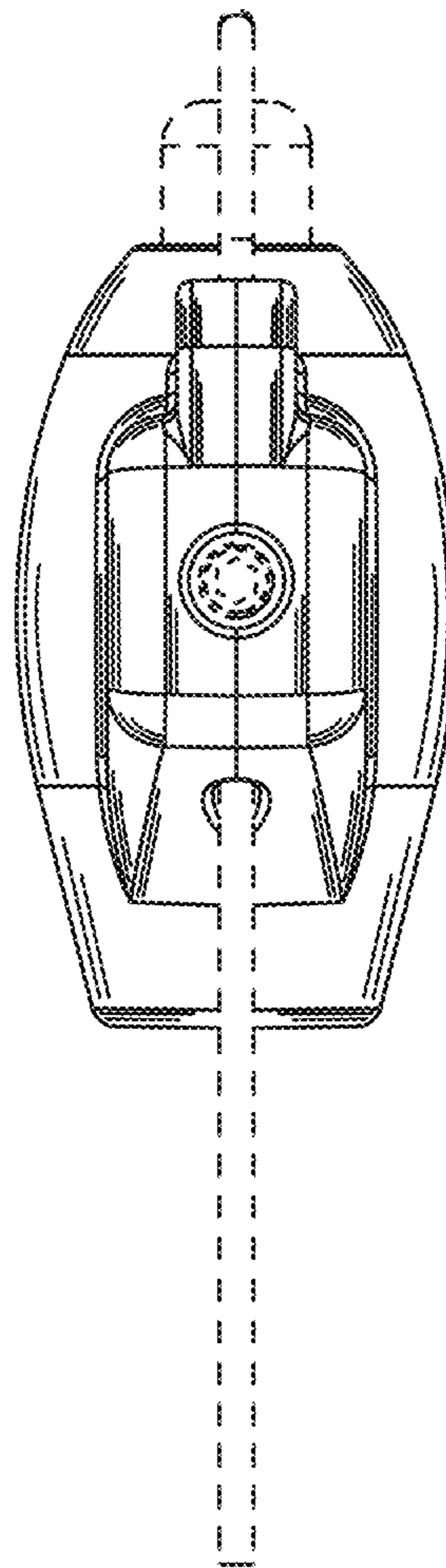


FIG. 10

FIG. 11



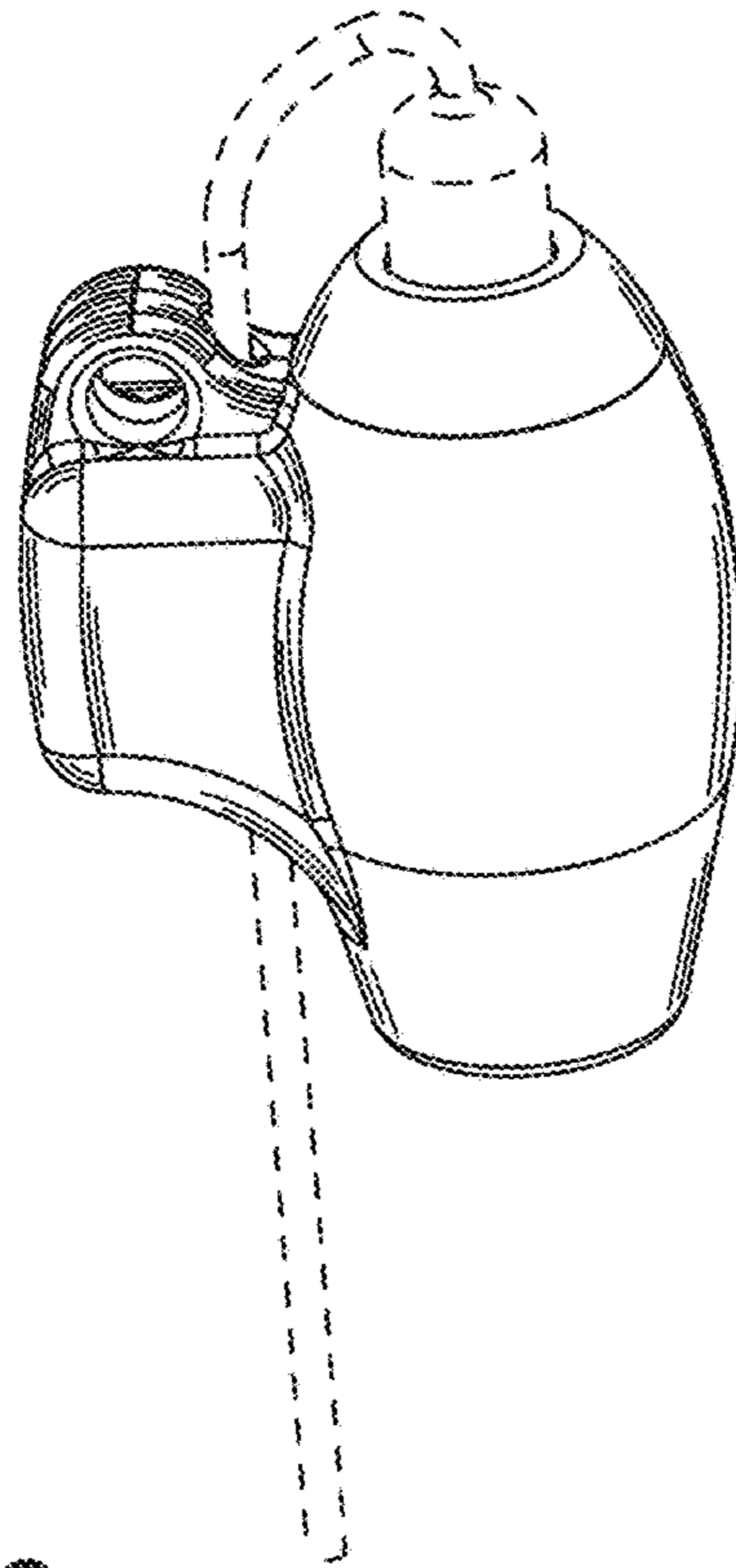


FIG. 12

FIG. 13

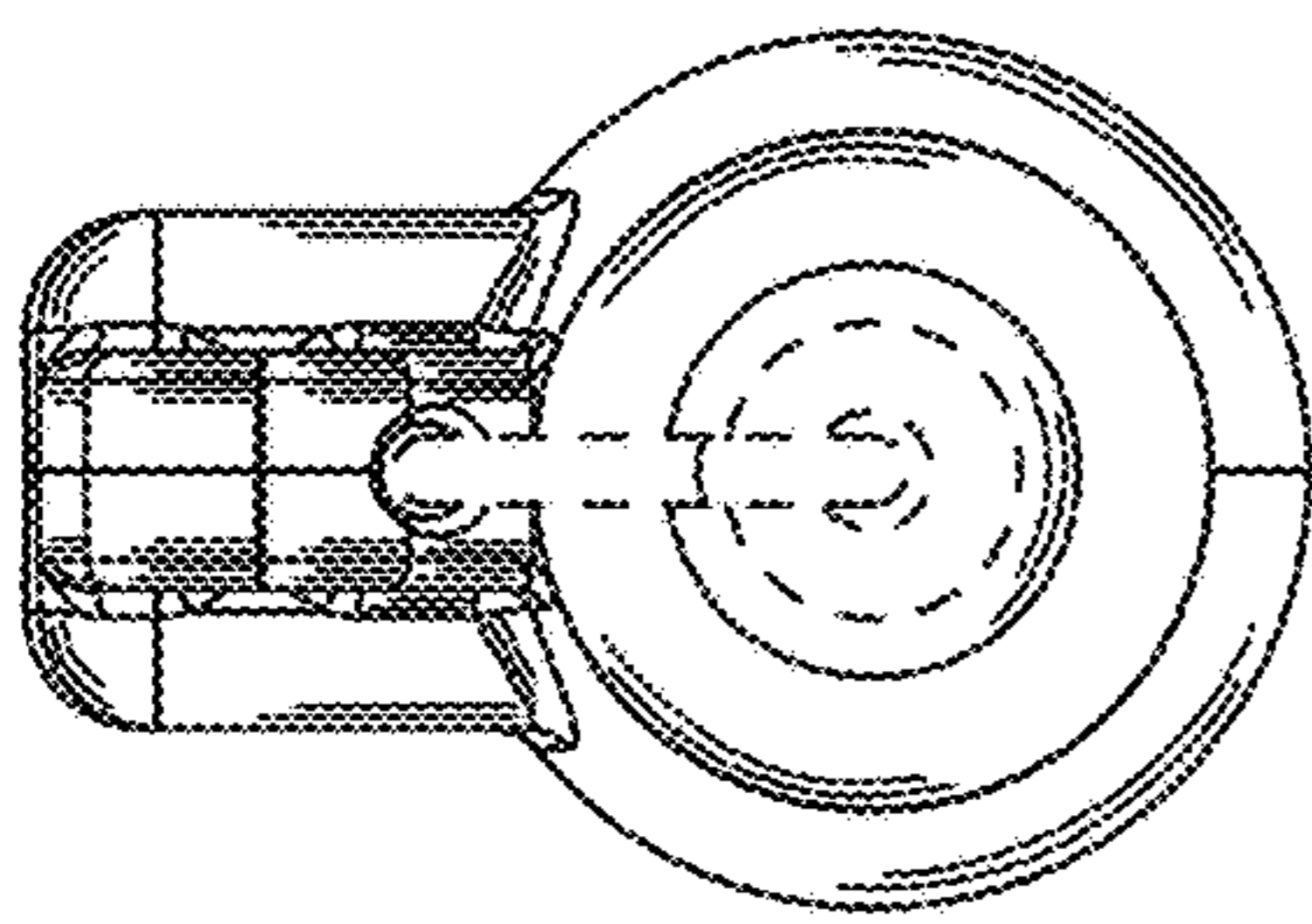


FIG. 14

