



US00D823253S

(12) **United States Design Patent**
Chen et al.

(10) **Patent No.:** **US D823,253 S**
(45) **Date of Patent:** **** Jul. 17, 2018**

(54) **CONDENSER**

(71) Applicant: **SHENG YE ELECTRIC CO., LTD,**
Foshan (CN)

(72) Inventors: **Wenjun Chen,** Foshan (CN); **Chaolin Chen,** Foshan (CN); **Man Wang,** Foshan (CN); **Zhiyong Huang,** Foshan (CN); **Guoqing Huang,** Foshan (CN); **Yongjie Su,** Foshan (CN)

(73) Assignee: **SHENG YE ELECTRIC CO., LTD,**
Foshan (CN)

(**) Term: **15 Years**

(21) Appl. No.: **29/561,763**

(22) Filed: **Apr. 20, 2016**

(30) **Foreign Application Priority Data**

Mar. 22, 2016 (CN) 2016 3 0083689

(51) **LOC (11) Cl.** **13-03**

(52) **U.S. Cl.**
USPC **D13/125**

(58) **Field of Classification Search**
USPC D13/123-132, 184, 199; D15/5
CPC F25B 39/04; F28D 15/0266; H01G 2/14;
H01G 4/06; H01G 4/30; H01G 4/228;
H01G 4/38; H01G 9/02; H01G 9/07;
H01G 9/08
See application file for complete search history.

(56) **References Cited**

U.S. PATENT DOCUMENTS

1,805,874 A * 5/1931 Lang H01F 38/12
174/152 R
D122,825 S * 10/1940 Peck D13/125
D209,054 S * 10/1967 Braiman et al. D13/125
D210,210 S * 2/1968 Braiman et al. D13/125
D306,545 S * 3/1990 Rosdick D3/202

D511,746 S * 11/2005 Lu D13/110
7,251,123 B2 * 7/2007 O'Phelan A61N 1/3975
29/25.03
D621,789 S * 8/2010 Wang D13/133
D729,164 S * 5/2015 Chen D13/124
D787,034 S * 5/2017 Showole D23/351

(Continued)

FOREIGN PATENT DOCUMENTS

CN 302752955 * 3/2014
CN 303825579 * 8/2016

(Continued)

OTHER PUBLICATIONS

Shree Auto Electronics. <URL: <http://www.shreeautoelectronicsco.in/electrical-condenser.htm>> Visited Sep. 6, 2017. Electrical Condenser.*

Primary Examiner — Thomas Johannes

Assistant Examiner — Lauren McVey

(74) *Attorney, Agent, or Firm* — Gokalp Bayramoglu

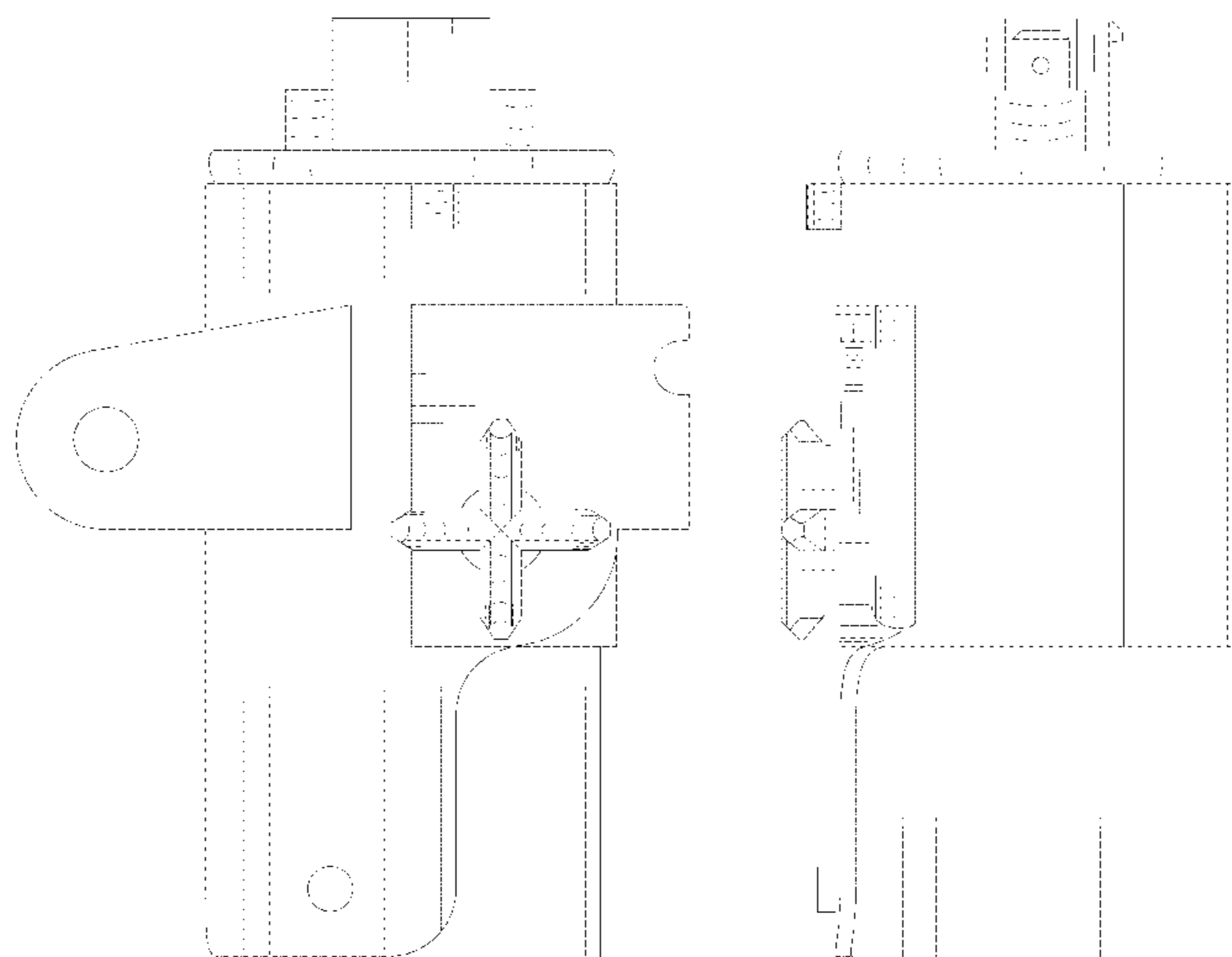
(57) **CLAIM**

The ornamental design for a condenser, as shown and described.

DESCRIPTION

FIG. 1 is a perspective view of a condenser showing our new design;
FIG. 2 is a front elevation view thereof;
FIG. 3 is a rear elevation view thereof;
FIG. 4 is a left side elevation view thereof;
FIG. 5 is a right side elevation view thereof;
FIG. 6 is a top plan view thereof; and,
FIG. 7 is a bottom plan view thereof.
The wire frame lines shown throughout the views are intended to indicate surface contour.
The broken lines are directed to environment and form no part of the claimed design.

1 Claim, 7 Drawing Sheets



(56)

References Cited

U.S. PATENT DOCUMENTS

D795,811 S * 8/2017 Kawamoto D13/138.2
2014/0049205 A1* 2/2014 Curiel H02P 1/44
318/785
2016/0084579 A1* 3/2016 Showole F28D 1/0477
165/151

FOREIGN PATENT DOCUMENTS

DE 102008051218 A1 * 4/2010 F25B 39/04
WO WO 02063226 A1 * 8/2002 F25B 39/04

* cited by examiner

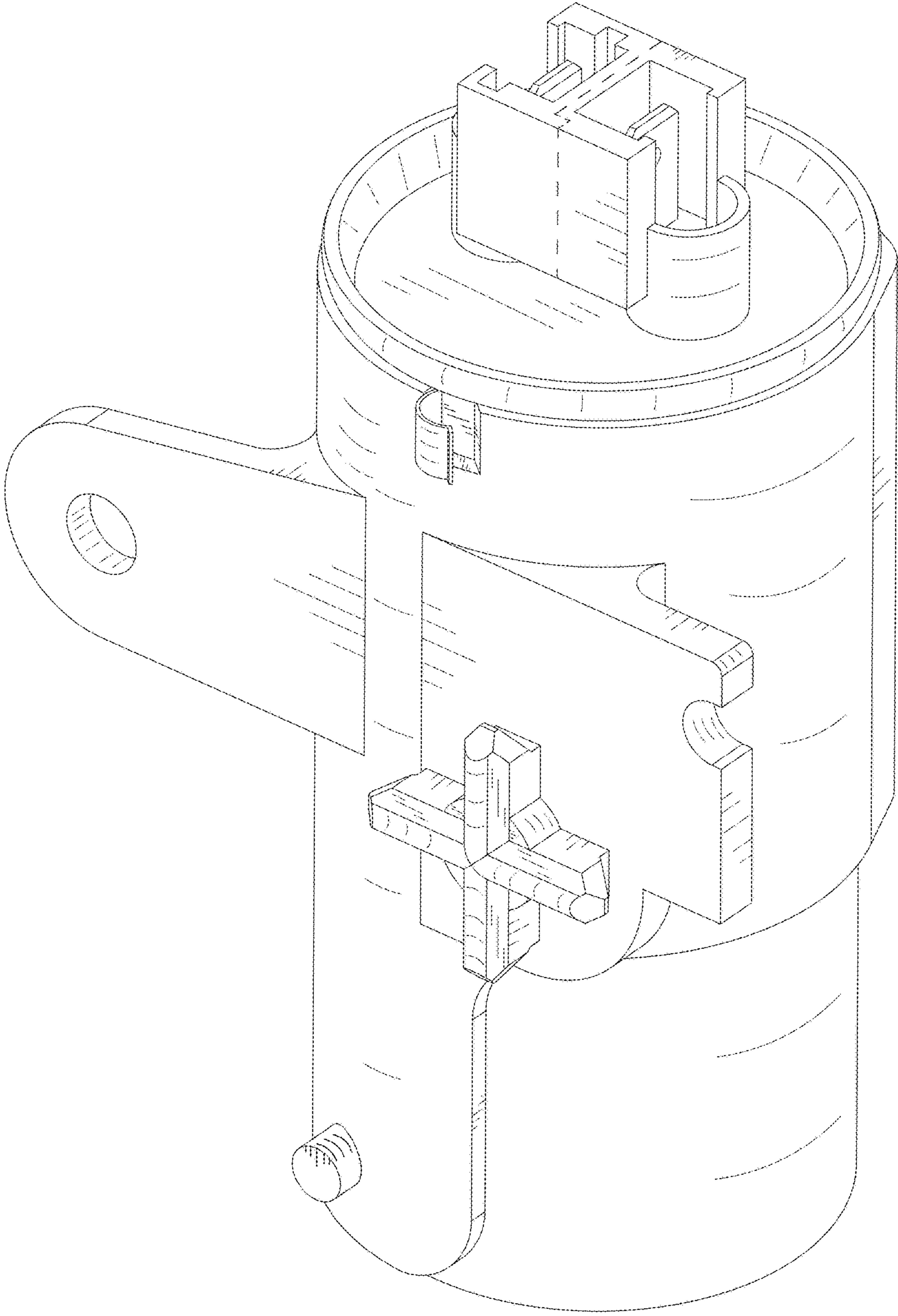


FIG. 1

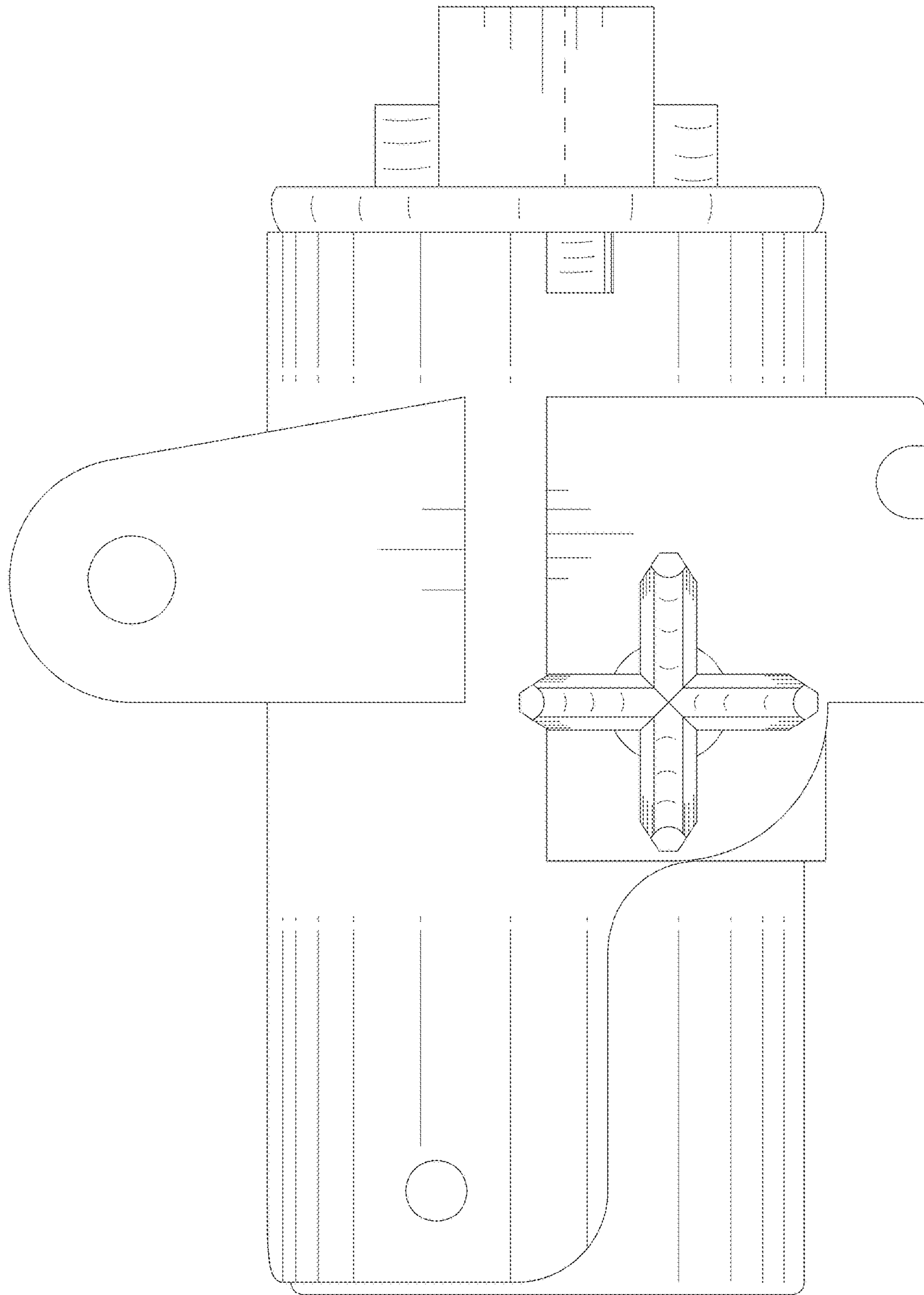


FIG. 2

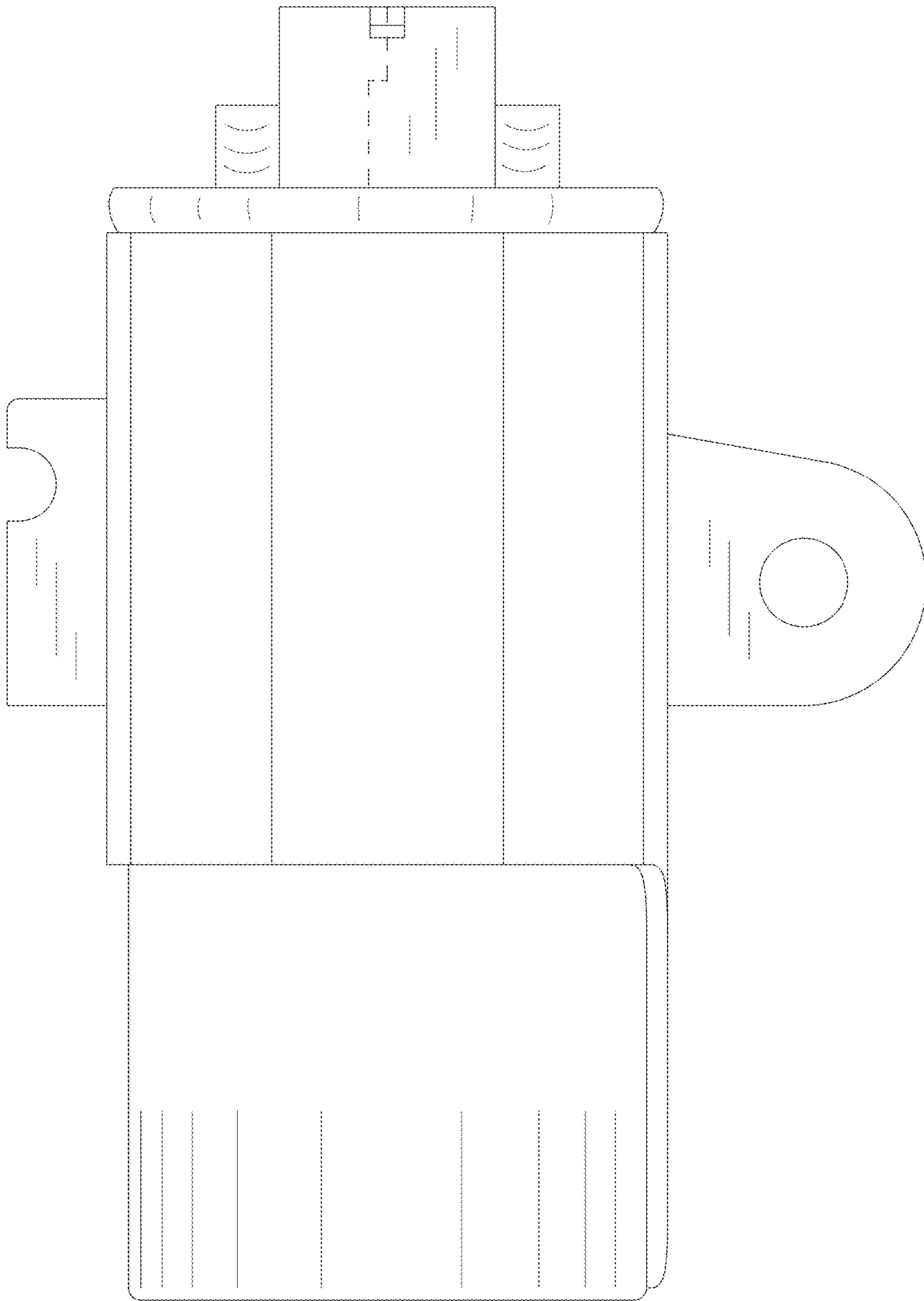


FIG. 3

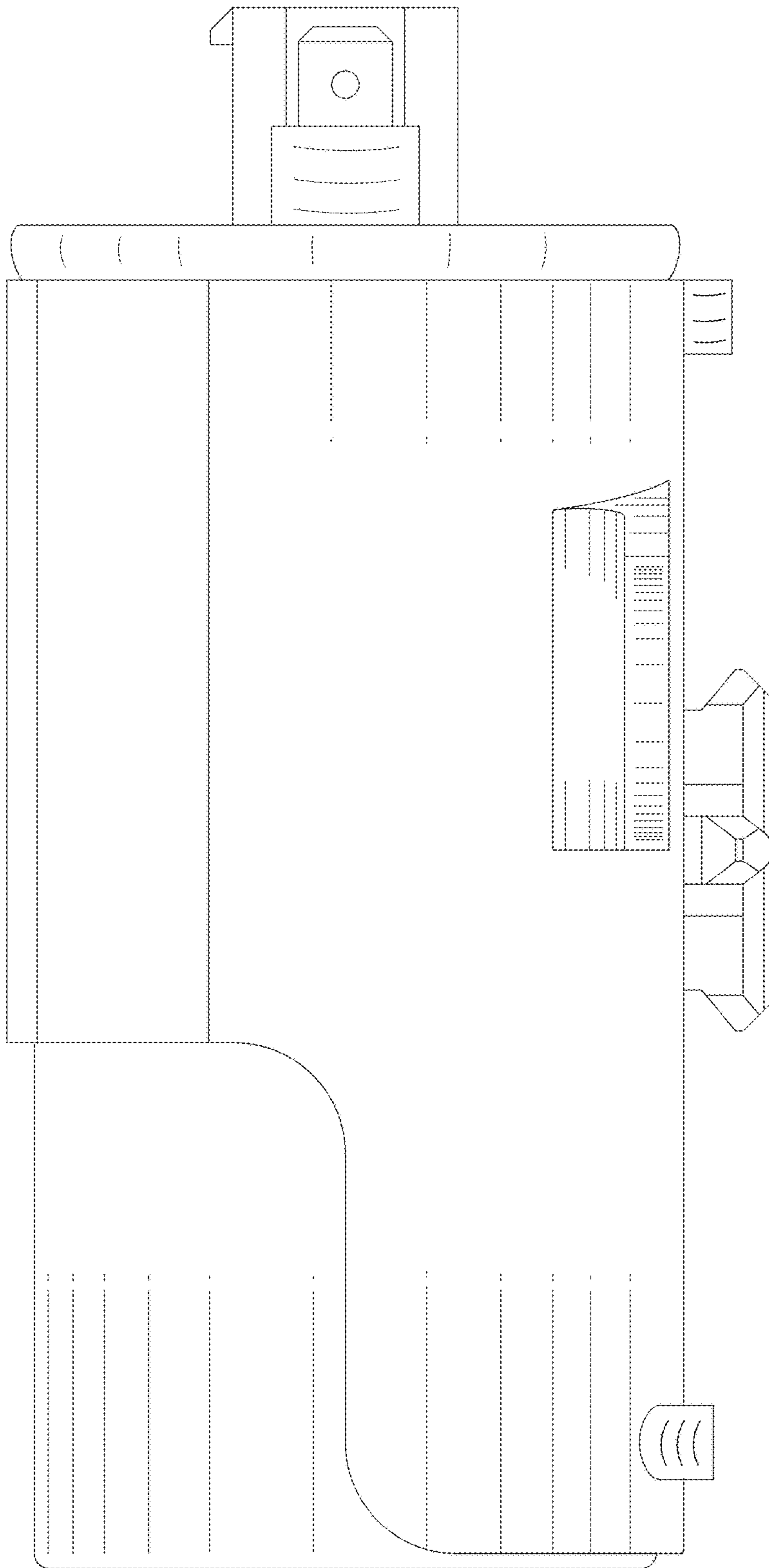


FIG. 4

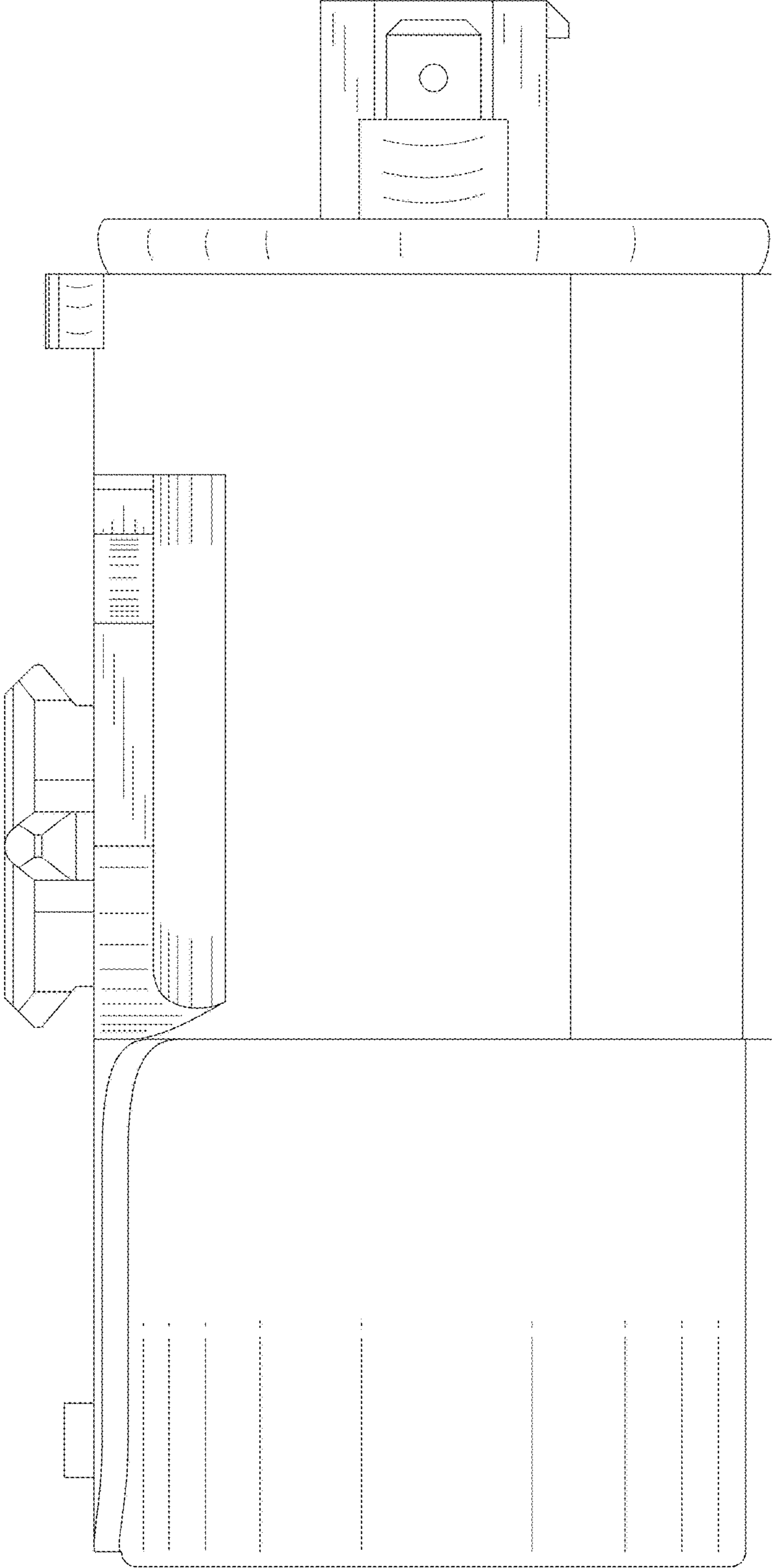


FIG. 5

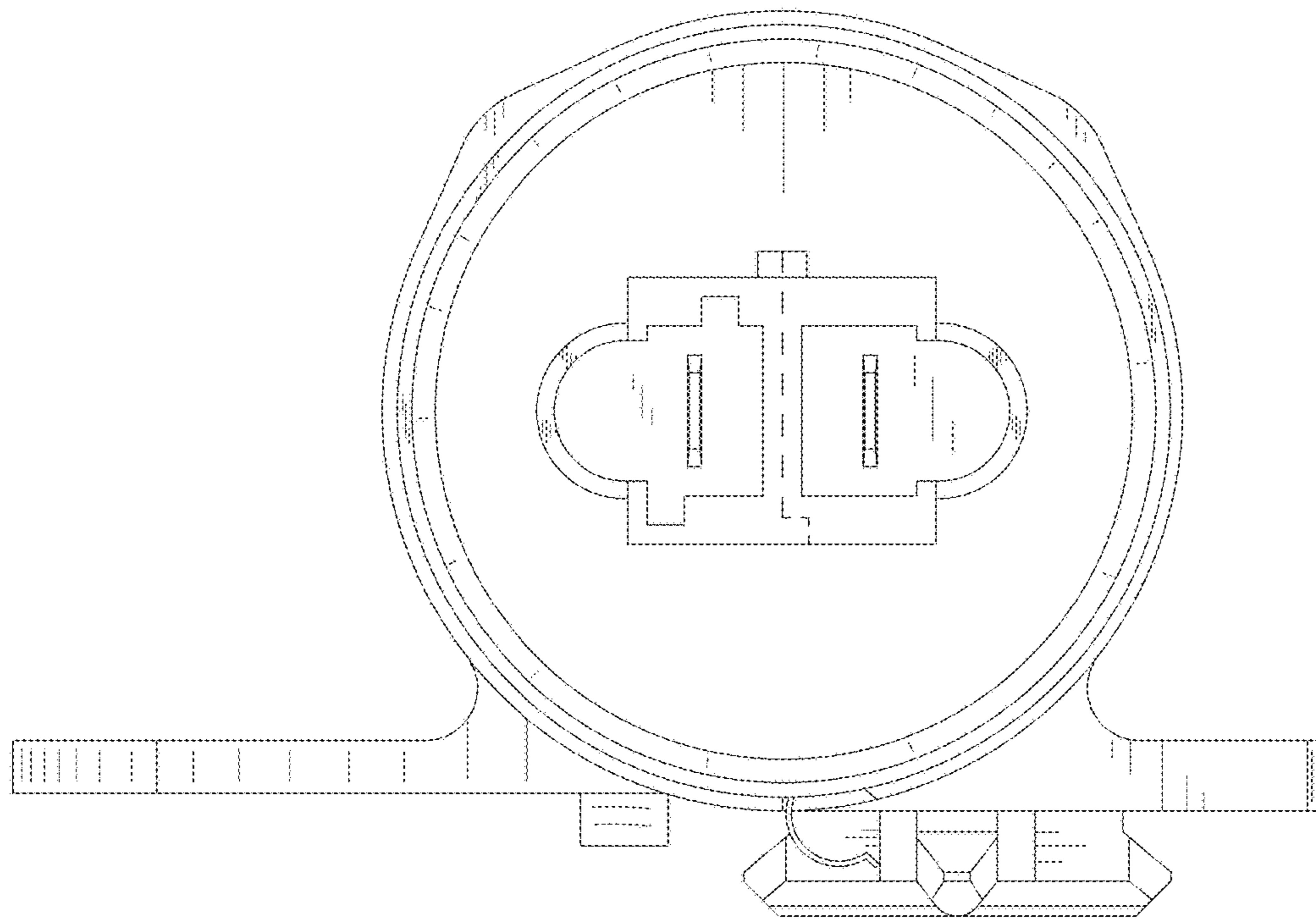


FIG. 6

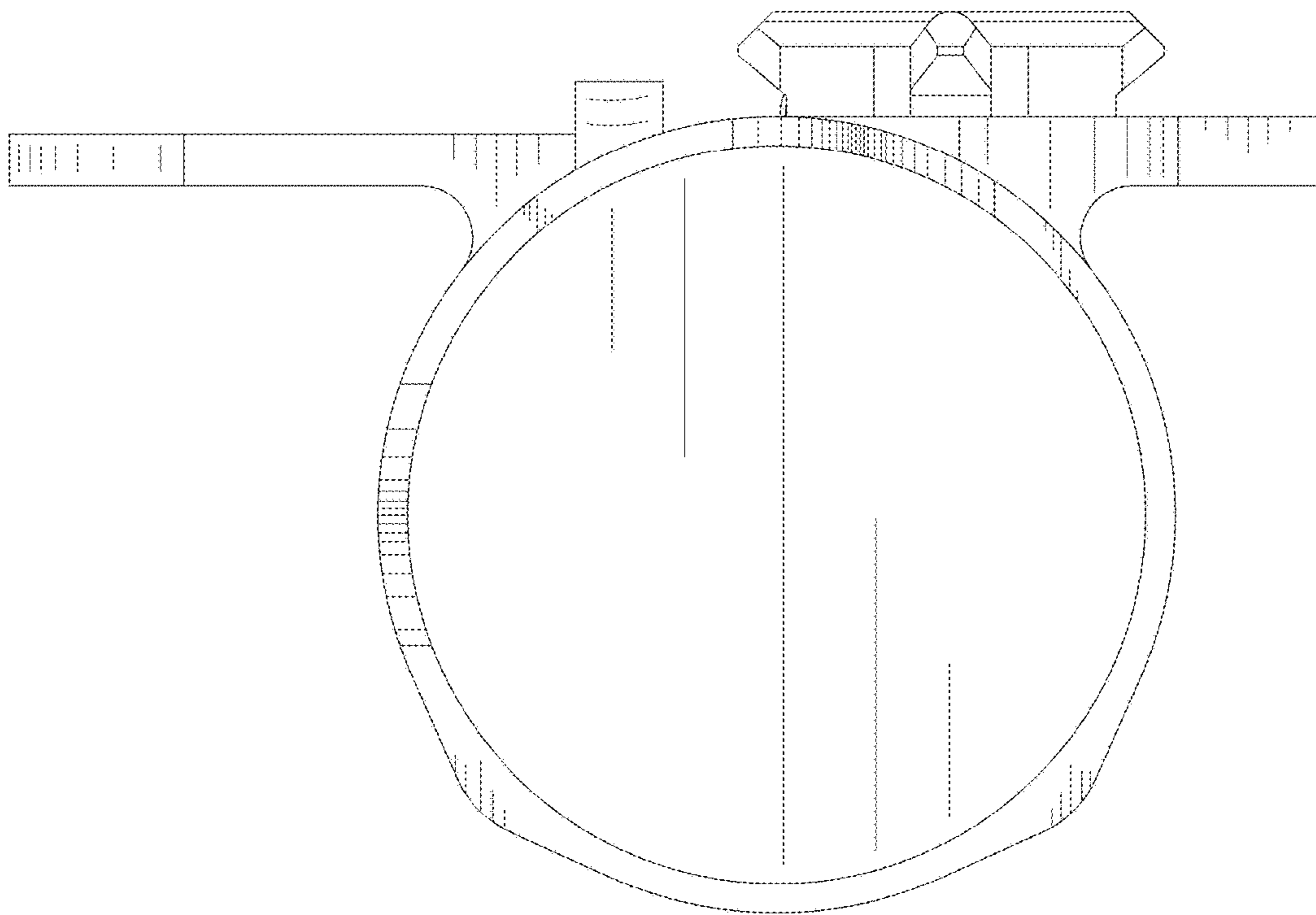


FIG. 7