



US00D823251S

(12) **United States Design Patent**
Battistella

(10) **Patent No.:** **US D823,251 S**
(45) **Date of Patent:** **** Jul. 17, 2018**

- (54) **ELECTRIC MOTOR**
- (71) Applicant: **AMER S.P.A.**, Valdagno (IT)
- (72) Inventor: **Francesco Battistella**, Valdagno (IT)
- (73) Assignee: **AMER S.P.A.**, Valdagno (IT)
- (**) Term: **15 Years**
- (21) Appl. No.: **29/624,991**
- (22) Filed: **Nov. 6, 2017**

4,593,217 A	6/1986	Levine	
D297,426 S	8/1988	Mabuchi	
D304,169 S	10/1989	Hoshino et al.	
D329,839 S	9/1992	Ehrhard	
5,268,607 A	12/1993	McManus	
D397,992 S *	9/1998	Shimomura	D13/112
D462,937 S *	9/2002	Nord	D13/112
6,713,916 B1	3/2004	Williams et al.	
6,909,210 B1 *	6/2005	Bostwick	H02K 5/20 310/254.1
D562,237 S	2/2008	Tu	
D579,869 S	11/2008	Lau et al.	
D597,573 S *	8/2009	Lin	D15/149
D611,410 S *	3/2010	Sturm	D13/112
D761,204 S *	7/2016	Luke	D13/112
2009/0140585 A1	6/2009	Pant	

Related U.S. Application Data

- (62) Division of application No. 29/563,643, filed on May 6, 2016, now Pat. No. Des. 809,459.
- (51) **LOC (11) Cl.** **13-01**
- (52) **U.S. Cl.**
USPC **D13/112**
- (58) **Field of Classification Search**
USPC D13/112, 113, 114, 118, 122, 184, 199;
D15/1, 5; 290/36 R, 38 R, 39; 310/10,
310/20, 40 R, 40 MM, 42, 68 D, 75 R,
310/80, 83, 88, 89, 98, 109, 114
CPC H02K 5/06; H02K 5/22; H02K 5/225;
H02K 11/33; H02K 9/06; H02K 9/12;
H02K 9/14; H02K 9/18; H02K 9/20;
H02K 7/1025; H02K 7/20918; H02K
3/24; H02K 3/47; F02B 63/04; F28D
15/0266; F28D 15/02; F28F 1/20
See application file for complete search history.

* cited by examiner

Primary Examiner — Derrick Holland
(74) *Attorney, Agent, or Firm* — Cantor Colburn LLP

(56) **References Cited**

U.S. PATENT DOCUMENTS

- 3,350,586 A 10/1967 Otto
- D245,498 S 8/1977 Adreas

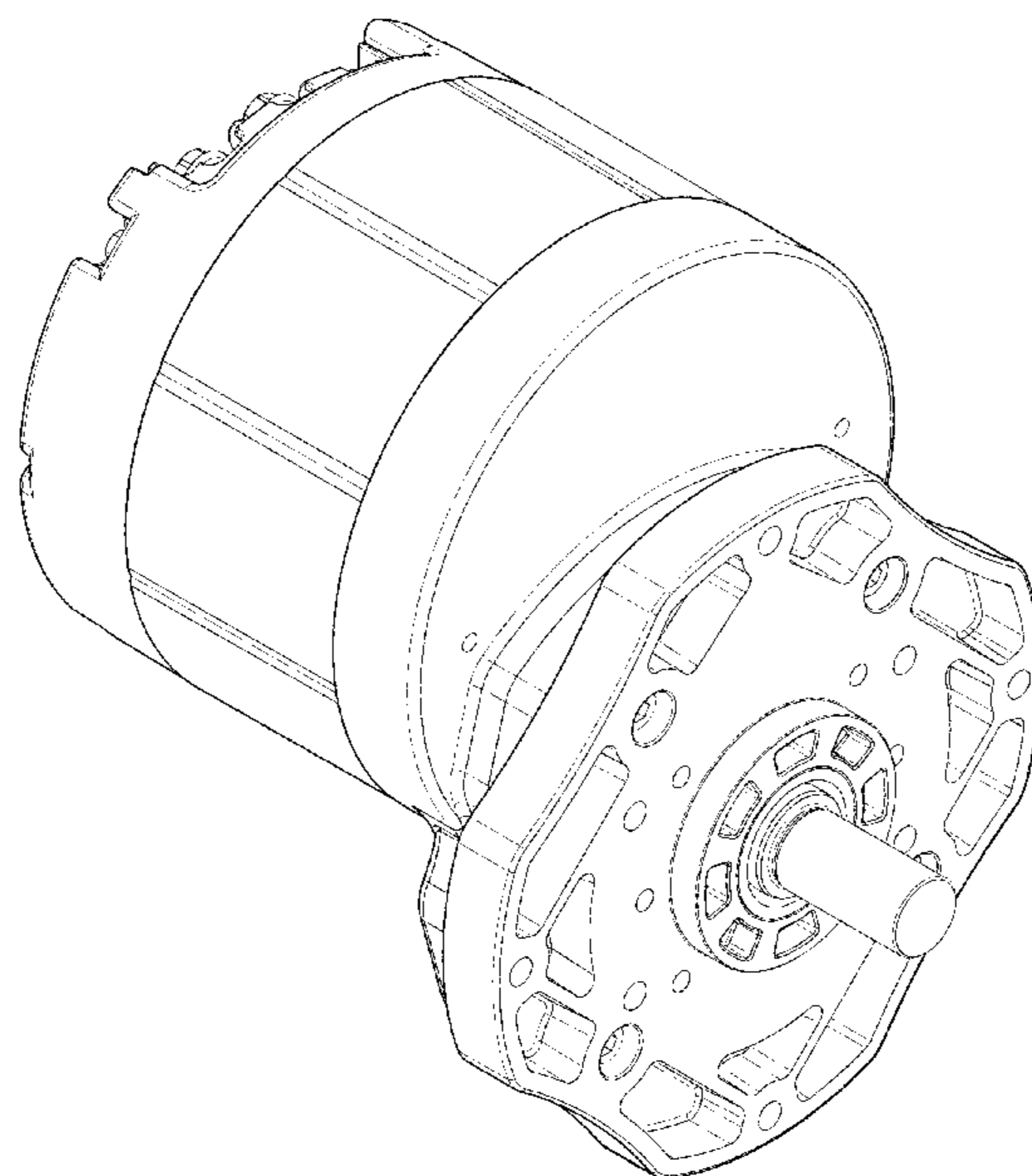
(57) **CLAIM**

I claim, the ornamental design for an electric motor, as shown and described.

DESCRIPTION

FIG. 1 is a perspective view of an electric motor, showing my new design;
 FIG. 2 is a front elevation view thereof;
 FIG. 3 is a rear elevation view thereof;
 FIG. 4 is a left side elevation view thereof;
 FIG. 5 is a right side elevation view thereof;
 FIG. 6 is a top plan view thereof;
 FIG. 7 is a bottom plan view thereof; and,
 FIG. 8 is a rear perspective view thereof.

1 Claim, 8 Drawing Sheets



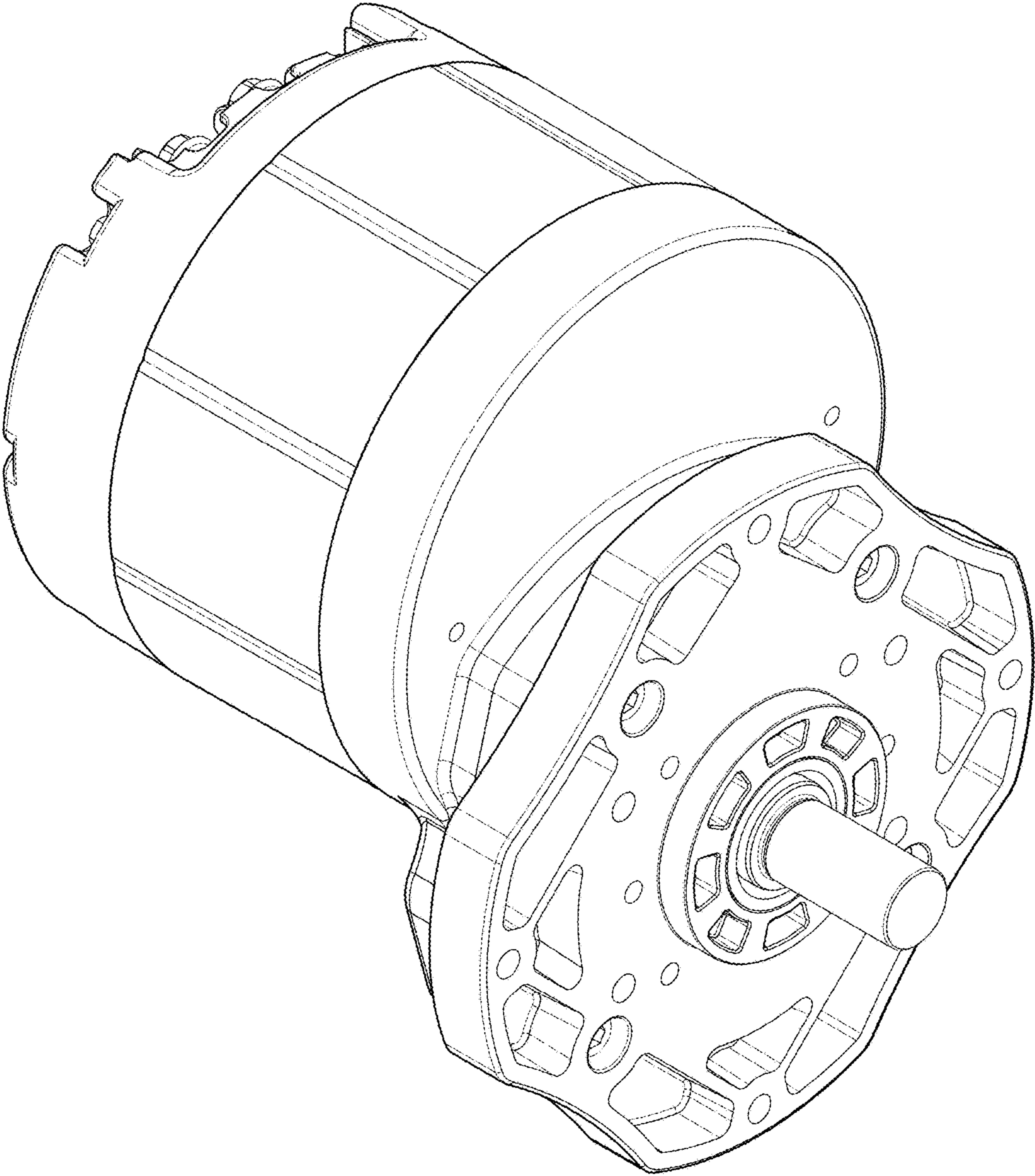


Fig. 1

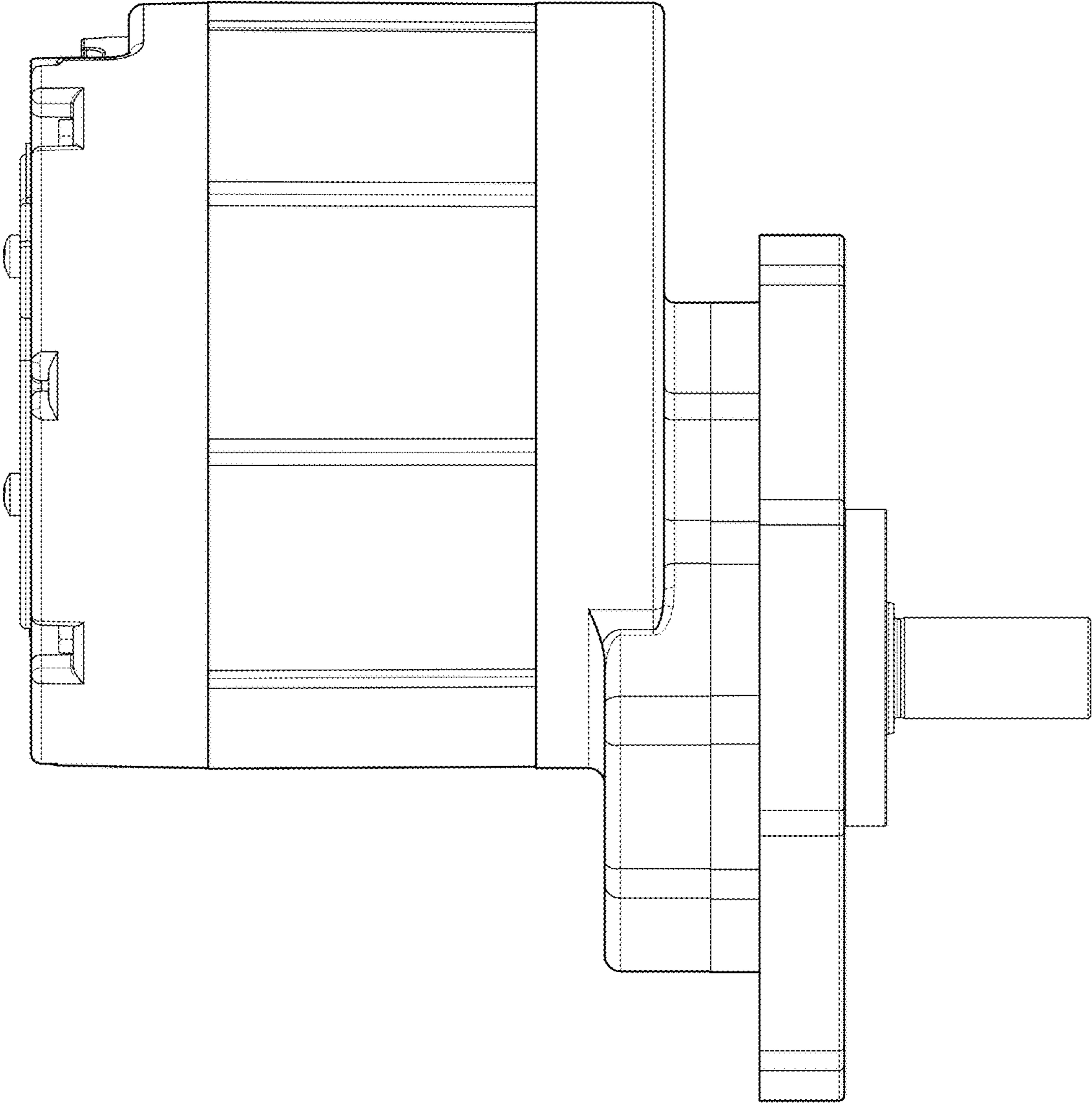


Fig. 2

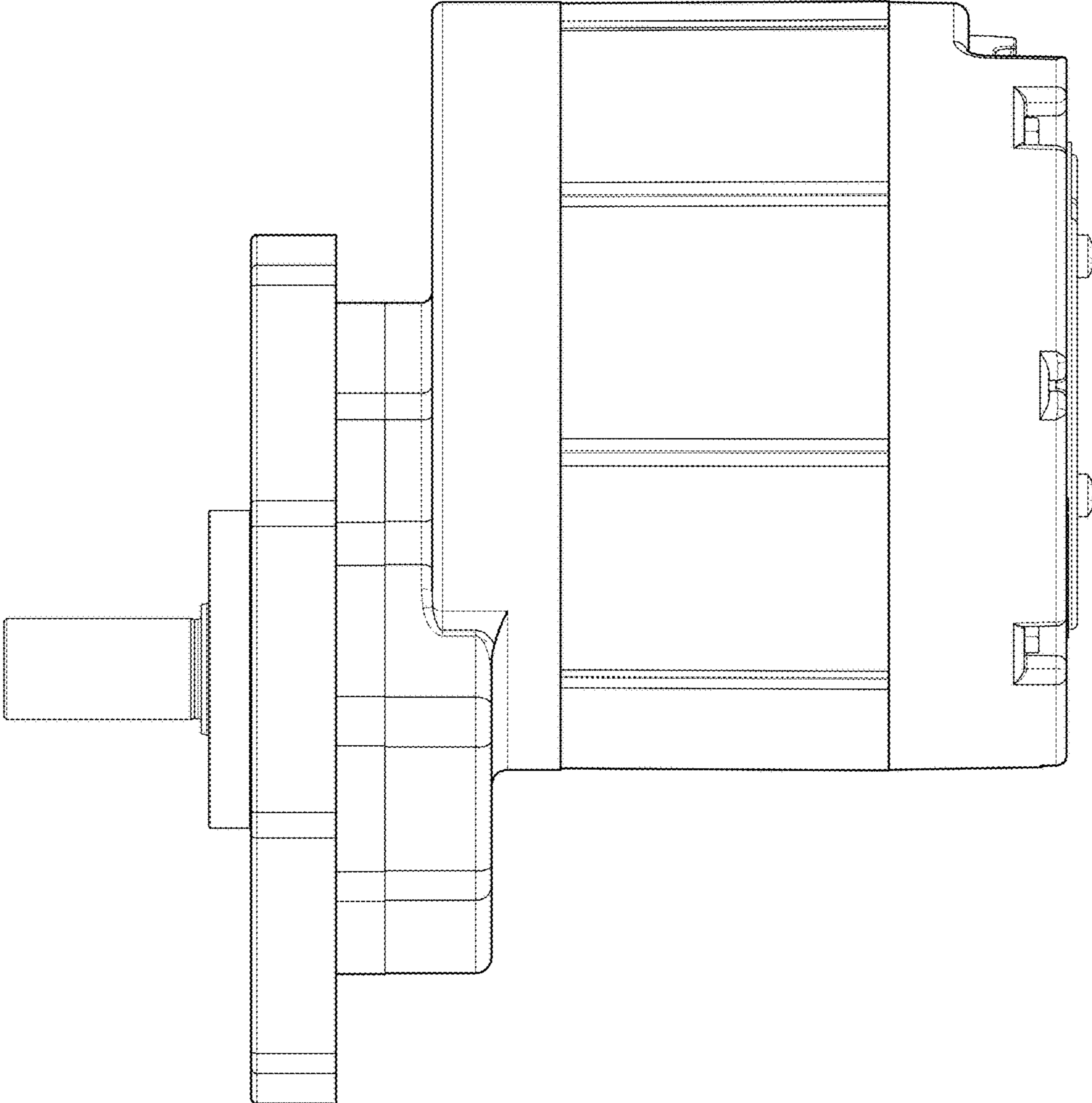


Fig. 3

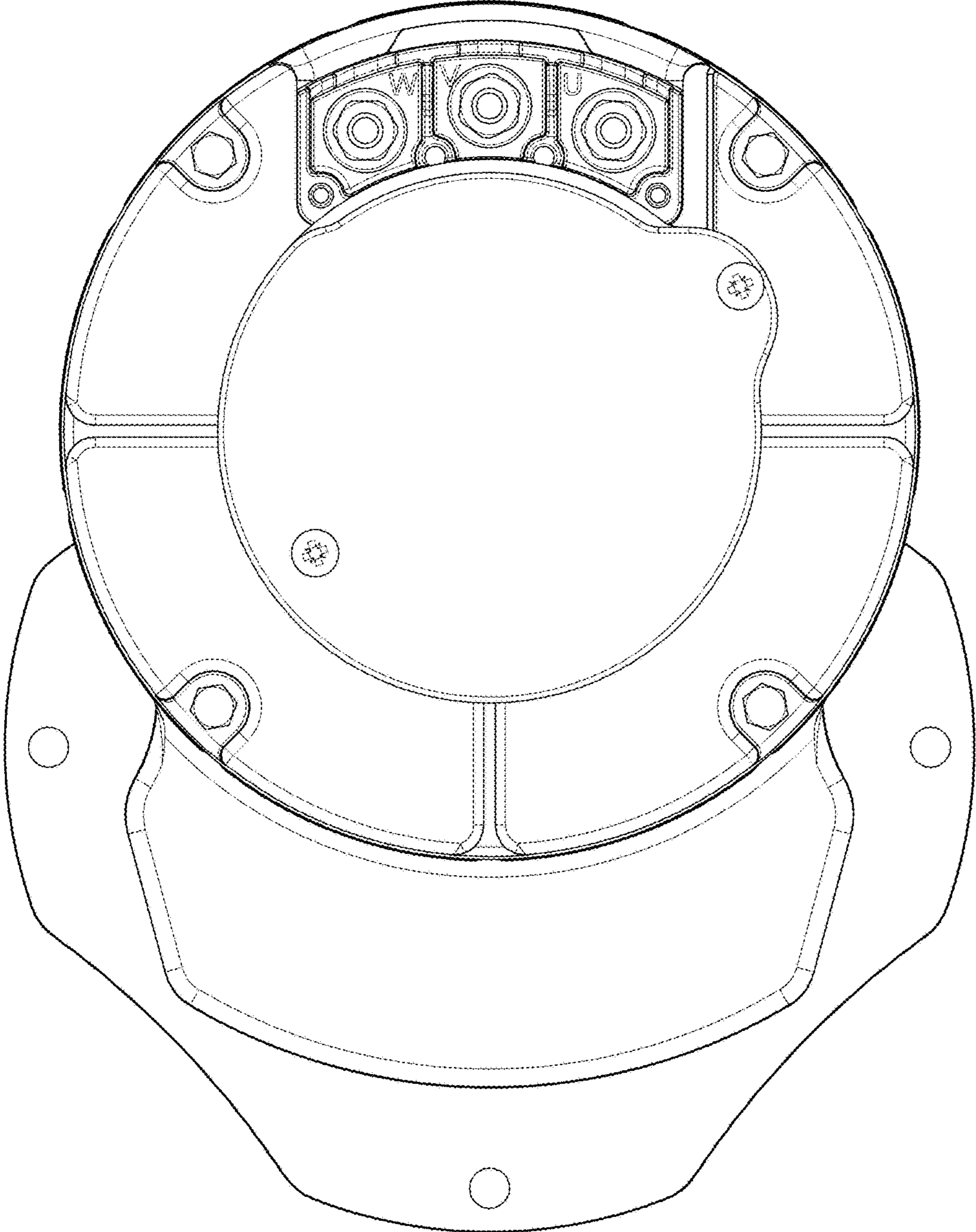


Fig. 4

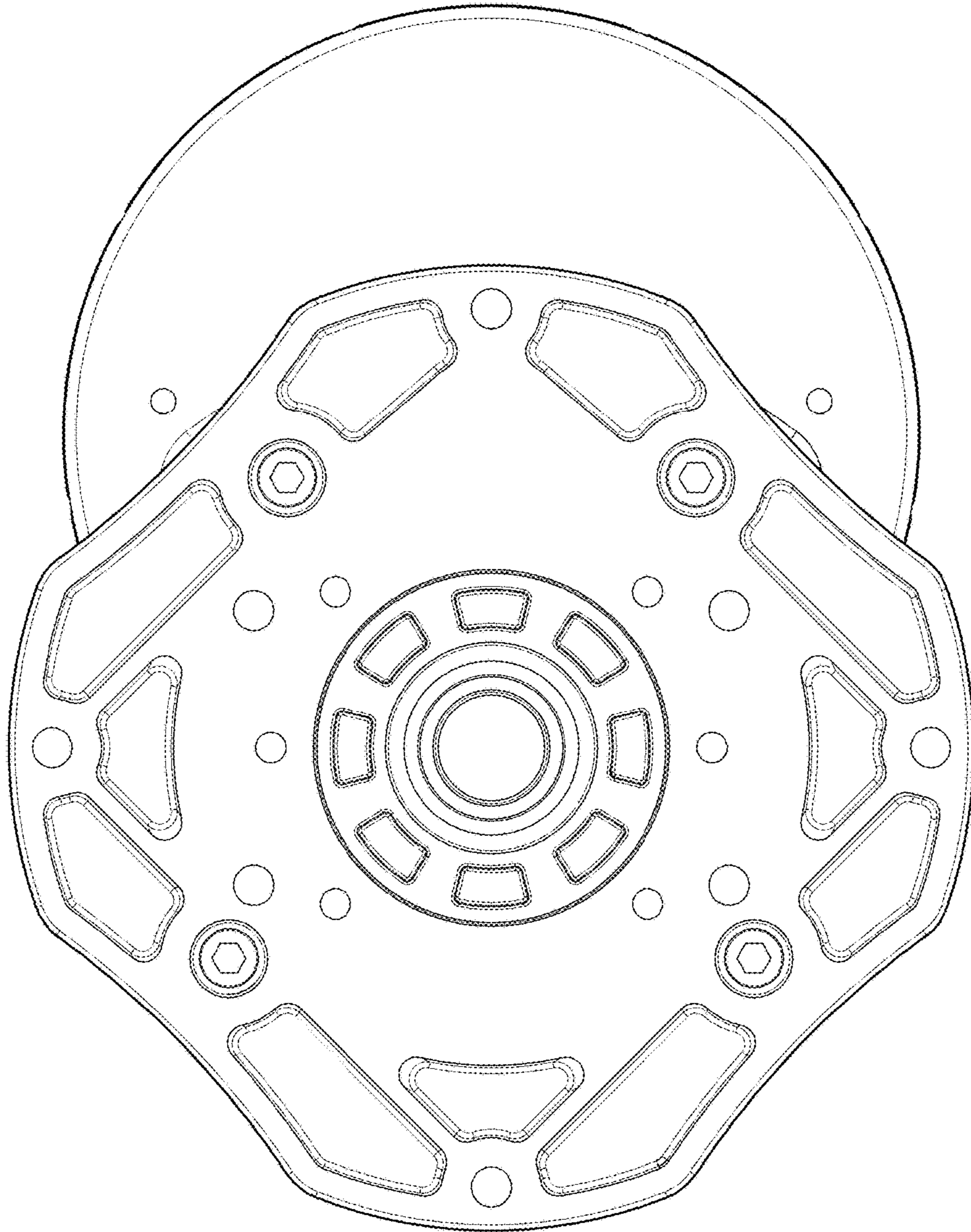


Fig. 5

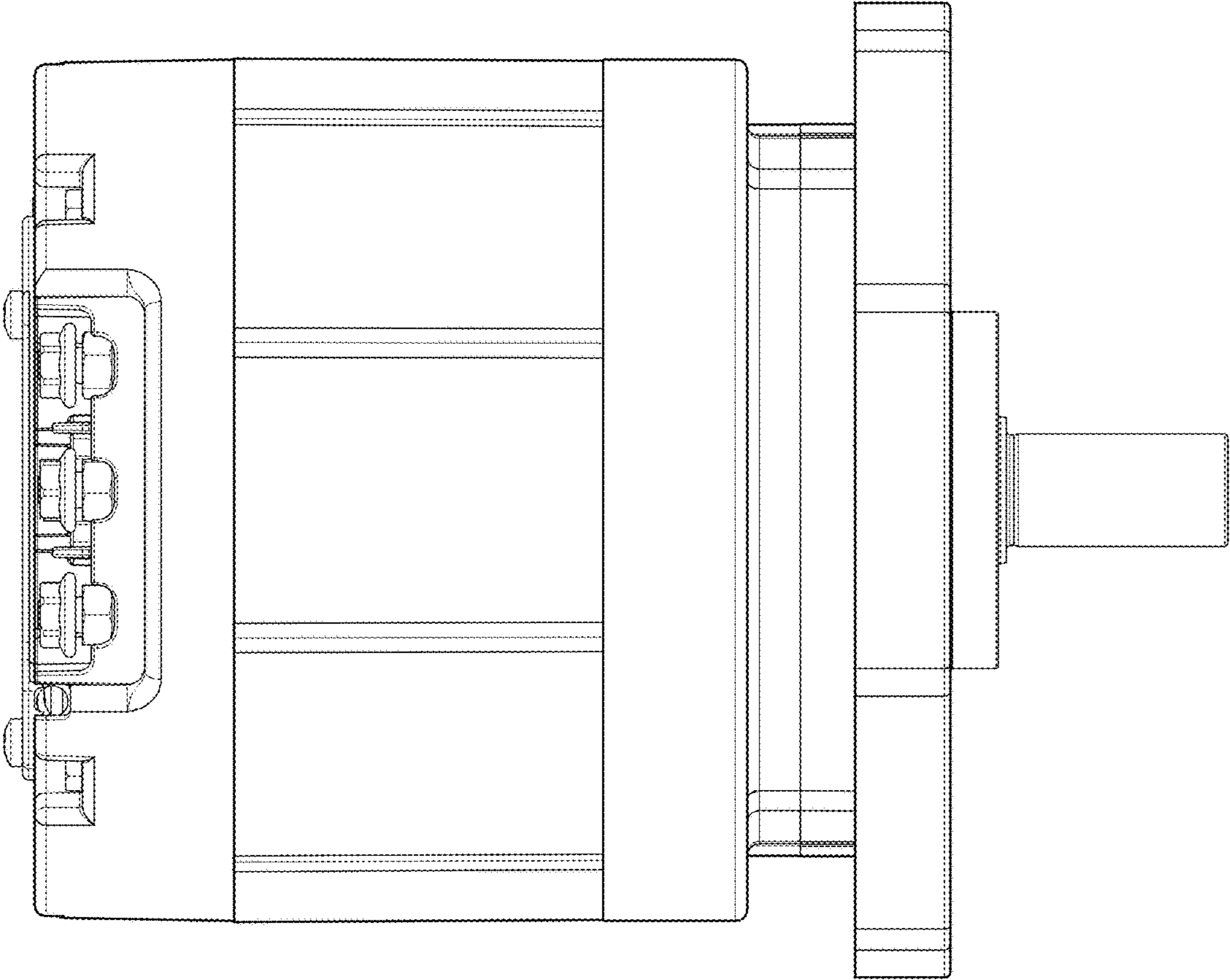


Fig. 6

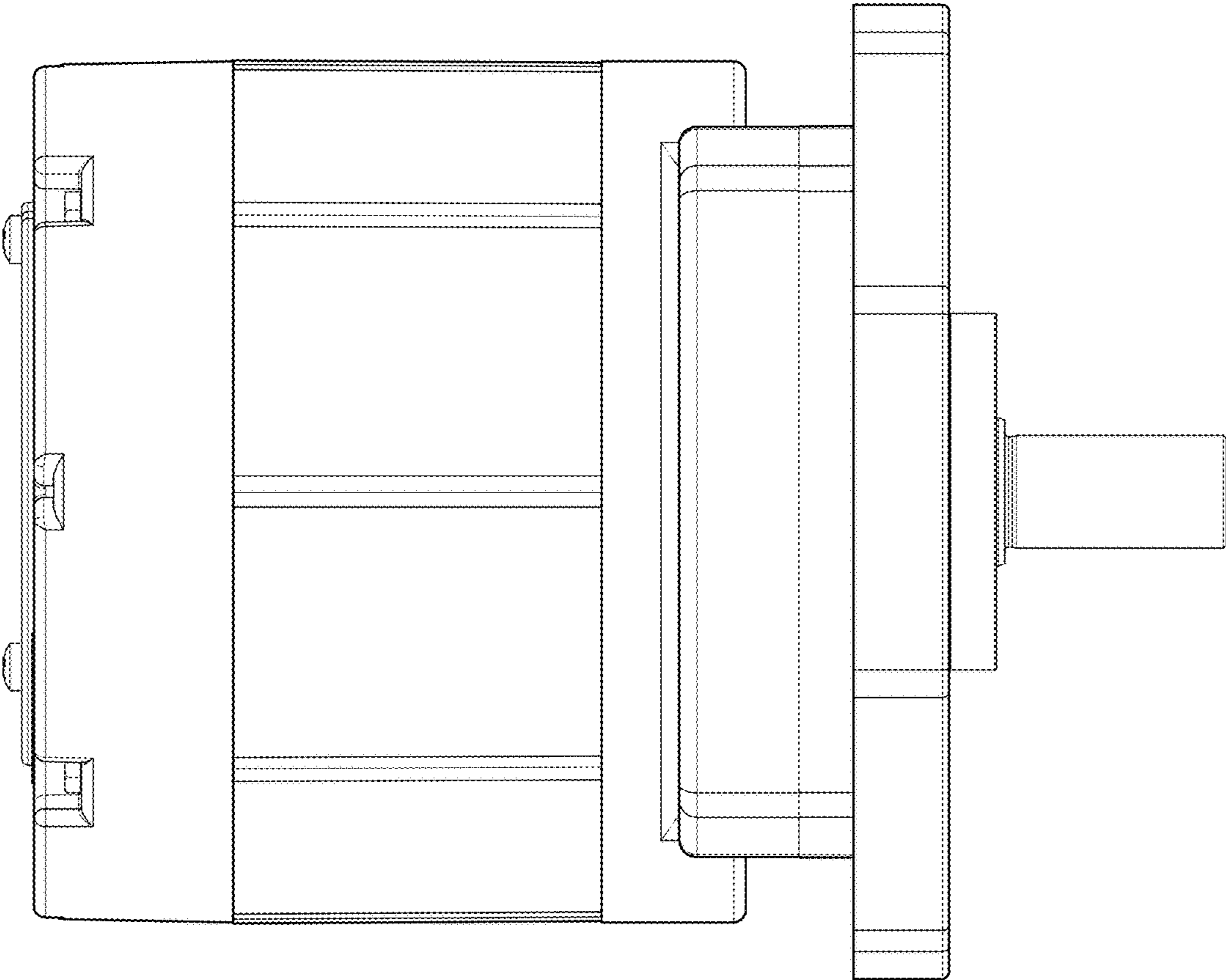


Fig. 7

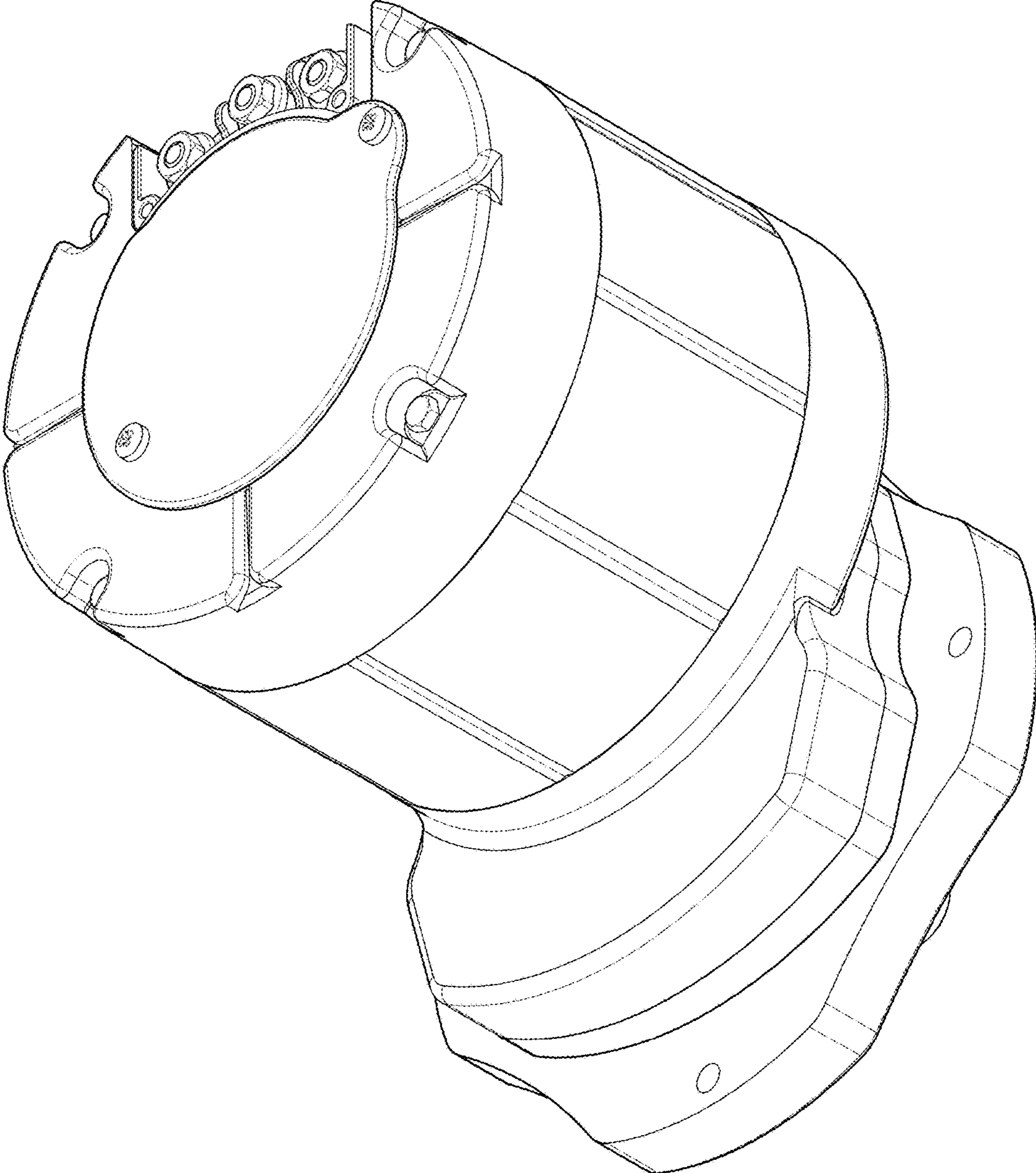


Fig. 8