



US00D823248S

(12) **United States Design Patent** (10) **Patent No.:** **US D823,248 S**  
**Aiba et al.** (45) **Date of Patent:** **\*\* Jul. 17, 2018**

(54) **ELECTRIC POWER STORAGE MODULE**

(71) Applicant: **Shin-Kobe Electric Machinery Co., Ltd.**, Tokyo (JP)

(72) Inventors: **Tsunemi Aiba**, Tokyo (JP); **Tadashi Shikama**, Tokyo (JP)

(73) Assignee: **HITACHI CHEMICAL COMPANY, LTD.**, Tokyo (JP)

(\*) Notice: This patent is subject to a terminal disclaimer.

(\*\*) Term: **15 Years**

(21) Appl. No.: **29/532,108**

(22) Filed: **Jul. 1, 2015**

(30) **Foreign Application Priority Data**

Feb. 19, 2015 (JP) ..... 2015-3399

(51) **LOC (11) Cl.** ..... **13-02**

(52) **U.S. Cl.**  
USPC ..... **D13/110**

(58) **Field of Classification Search**

USPC ..... D13/110, 101, 118, 119, 121, 147, 162, D13/179, 182, 199; 307/89, 91, 150; 361/679, 707, 717, 718, 719, 720, 736, 361/752, 775, 777, 815; 363/36, 37, 55, 363/56.01, 131, 141, 142, 144  
 CPC ..... H01L 21/4882; H01L 23/36; H01L 23/62; H01L 23/473; H01L 2924/00; H01L 2924/0002; H01L 2924/181; H01L 2924/351; H01L 2924/1305; H01L 2924/1306; H01L 2924/13091; H01M 10/60; H01M 10/63; H01M 10/65; H01M 10/348; H01M 10/443; H01M 10/486; H01M 10/637; H01M 2/02; H01M 2/022; H01M 2/0207; H01M 2/202; H01M 2/1055; H01M 2/1077; H02M 7/003

See application file for complete search history.

(56) **References Cited**

U.S. PATENT DOCUMENTS

D210,596 S *	3/1968	Becker .....	D13/110
D278,624 S *	4/1985	Stone .....	D13/146
D294,565 S *	3/1988	Makinson .....	D13/110
4,872,102 A *	10/1989	Getter .....	H02M 7/003 307/150
D351,134 S *	10/1994	Hunziker .....	D13/110
D456,772 S *	5/2002	Grant .....	D13/110
D631,839 S *	2/2011	Mockenhaupt .....	D13/110
D658,579 S *	5/2012	Miyawaki .....	D13/104
D742,307 S *	11/2015	DeKeuster .....	D13/103

\* cited by examiner

*Primary Examiner* — Derrick Holland

(74) *Attorney, Agent, or Firm* — Fitch, Even, Tabin & Flannery LLP

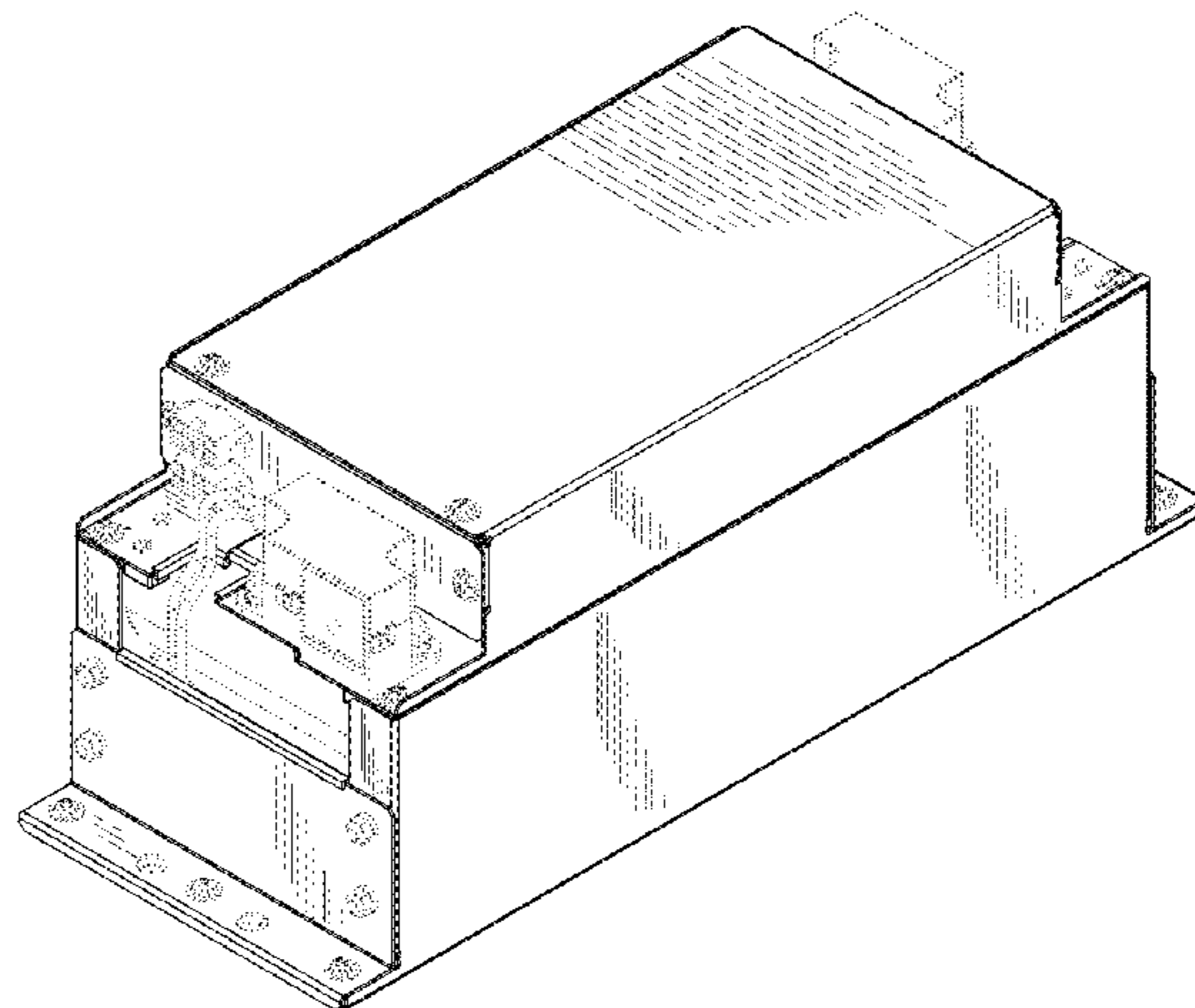
(57) **CLAIM**

The ornamental design for an electric power storage module, as shown and described.

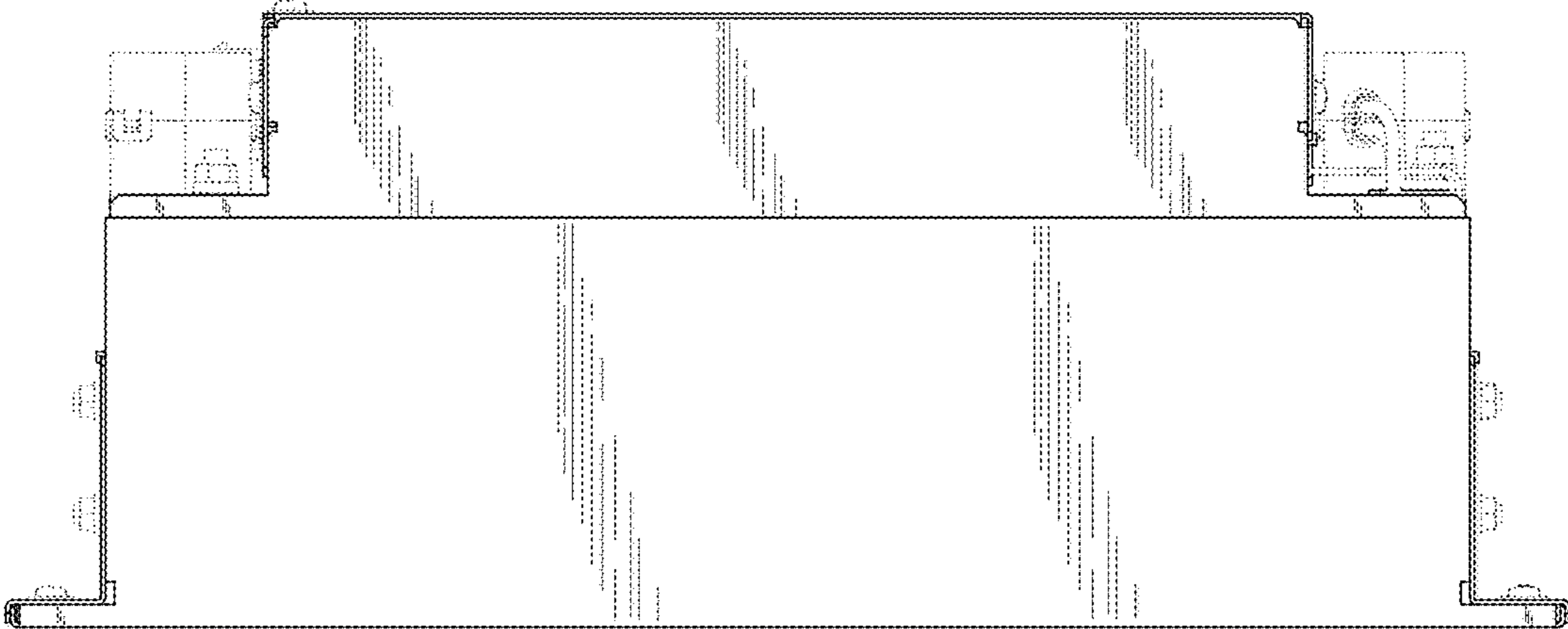
**DESCRIPTION**

FIG. 1 is a front elevation view of an electric power storage module showing our new design;  
 FIG. 2 is a rear elevational view thereof;  
 FIG. 3 is a right side elevational view thereof;  
 FIG. 4 is a left side elevational view thereof;  
 FIG. 5 is a top plan view thereof;  
 FIG. 6 is a bottom plan view thereof;  
 FIG. 7 is a cross-section view taken along line 7-7 in FIG. 3;  
 FIG. 8 is a first perspective view thereof; and,  
 FIG. 9 is a second perspective view thereof.  
 The broken lines in the figures are for the purpose of illustrating environmental structure and form no part of the claimed design.

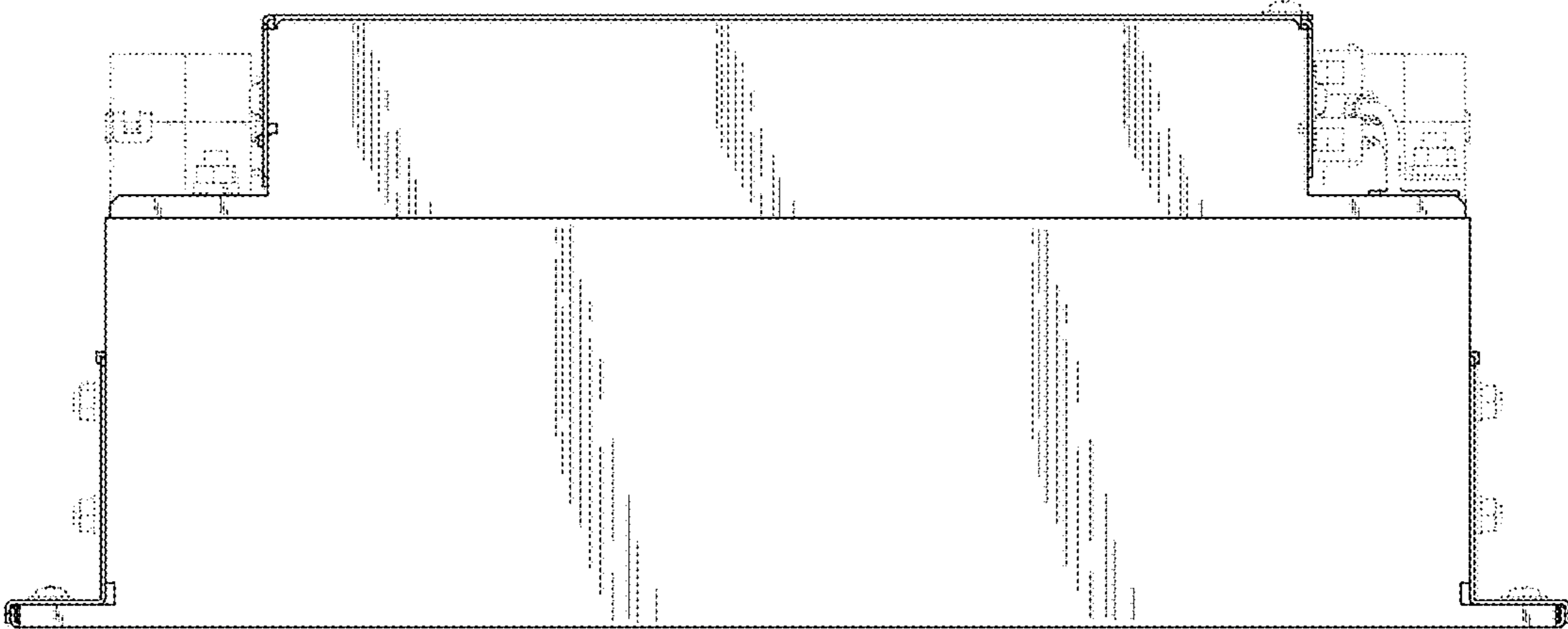
**1 Claim, 5 Drawing Sheets**



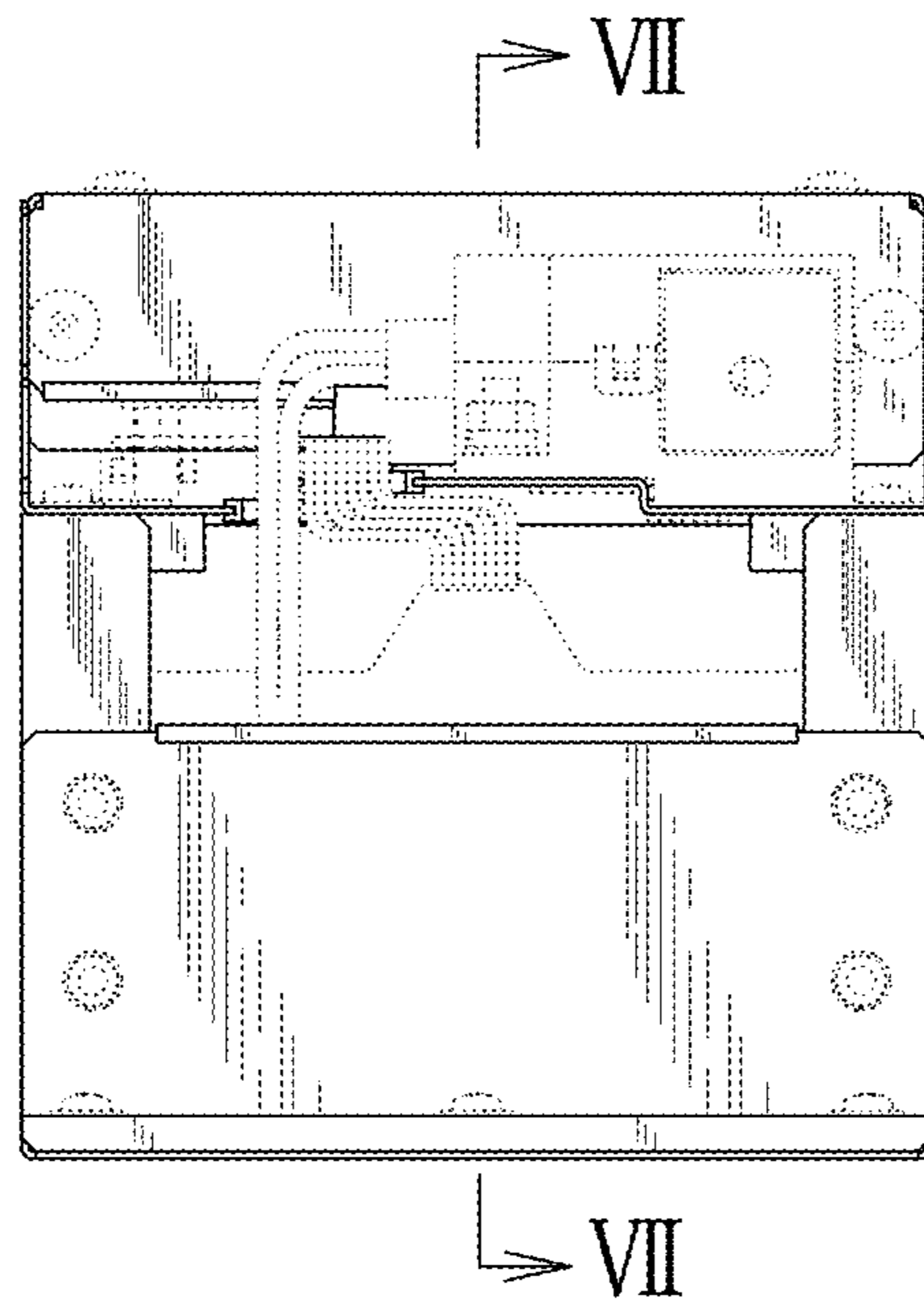
*Fig.1*



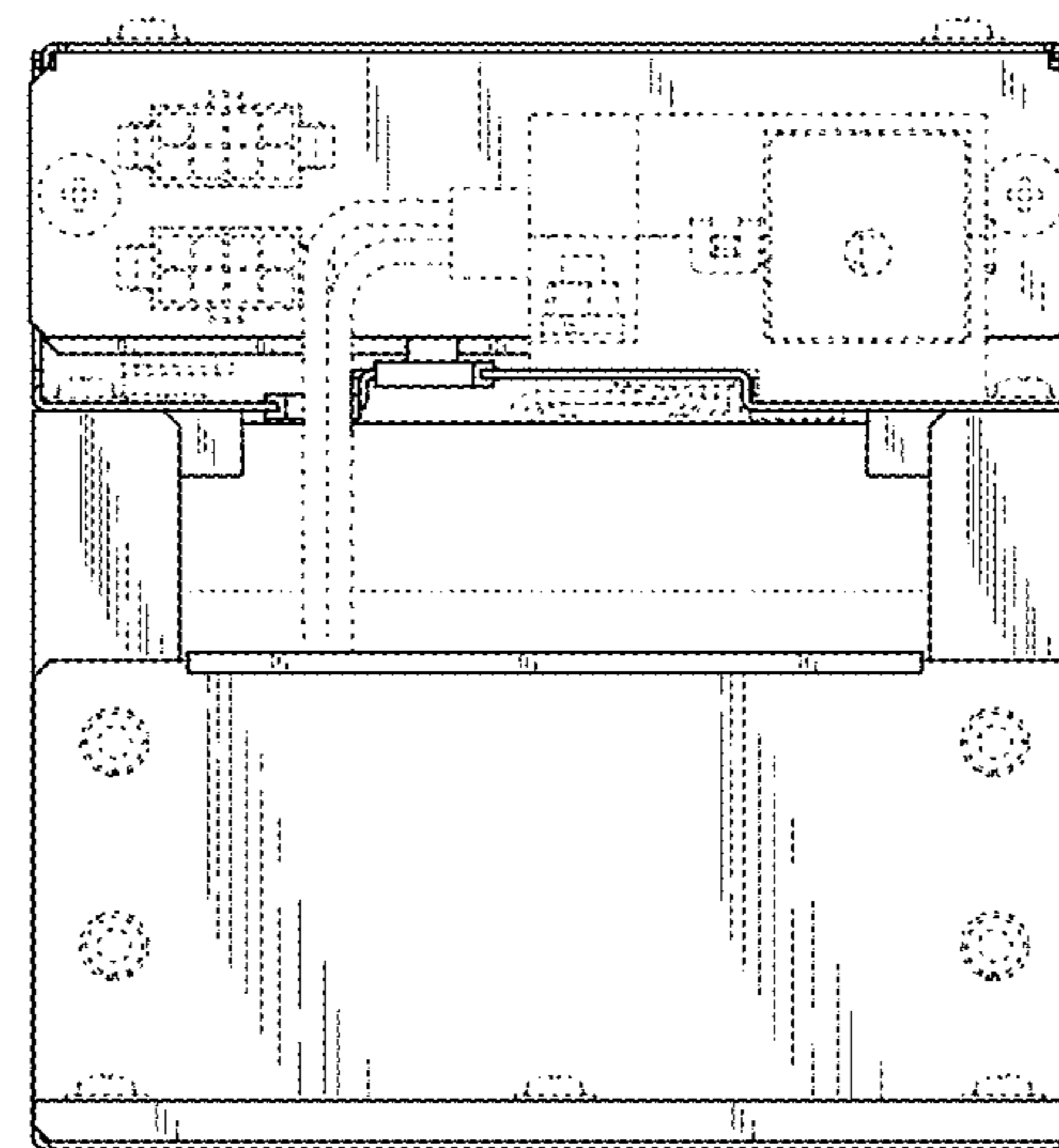
*Fig.2*



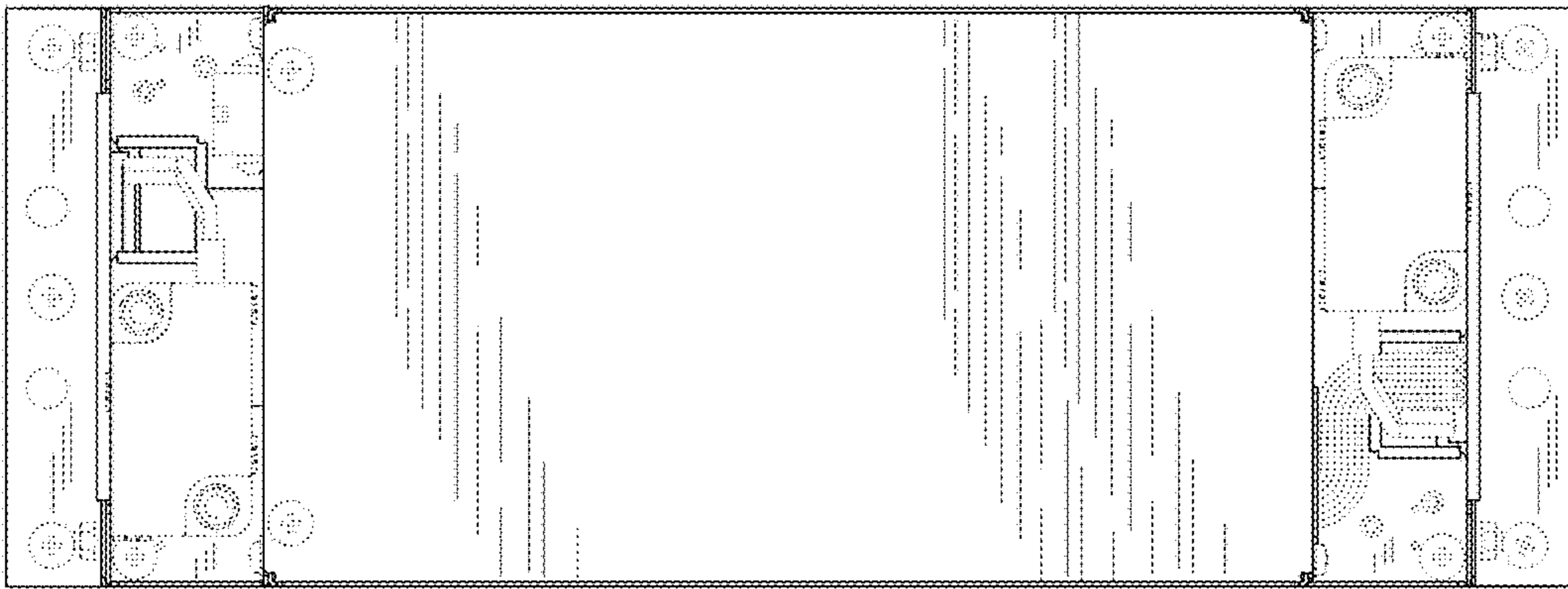
**Fig.3**



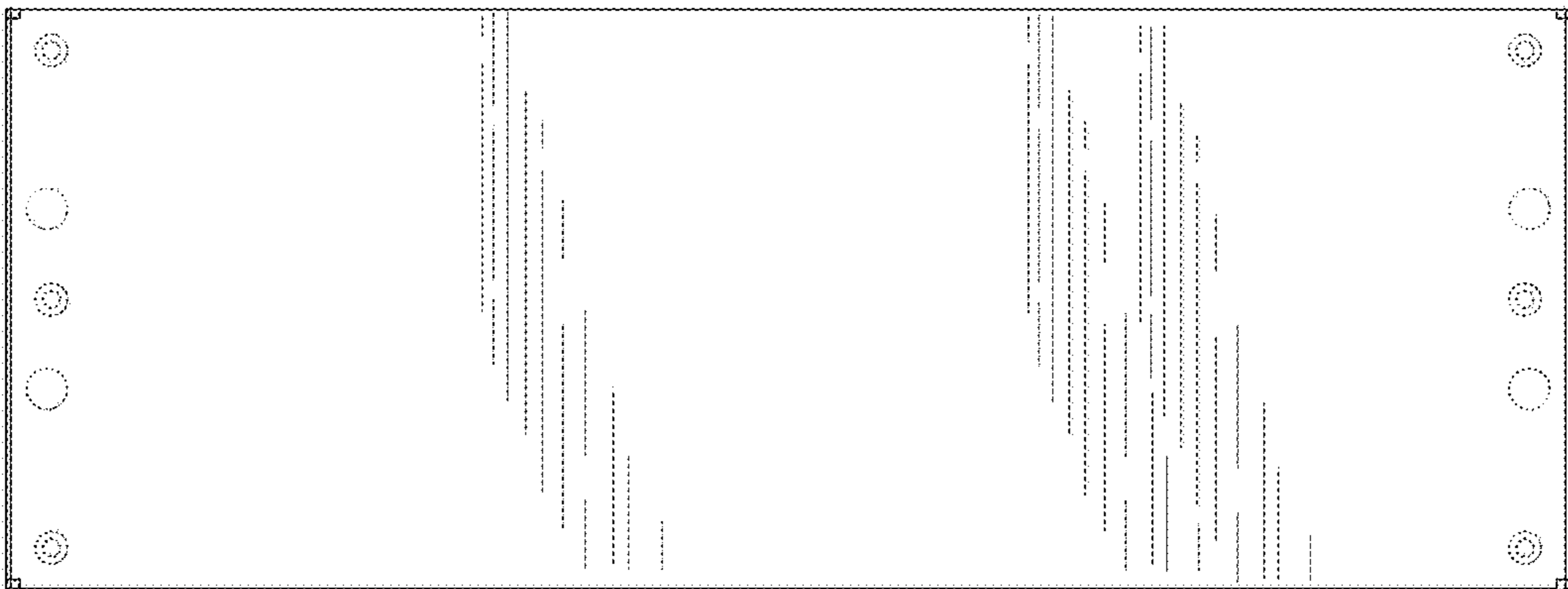
**Fig.4**



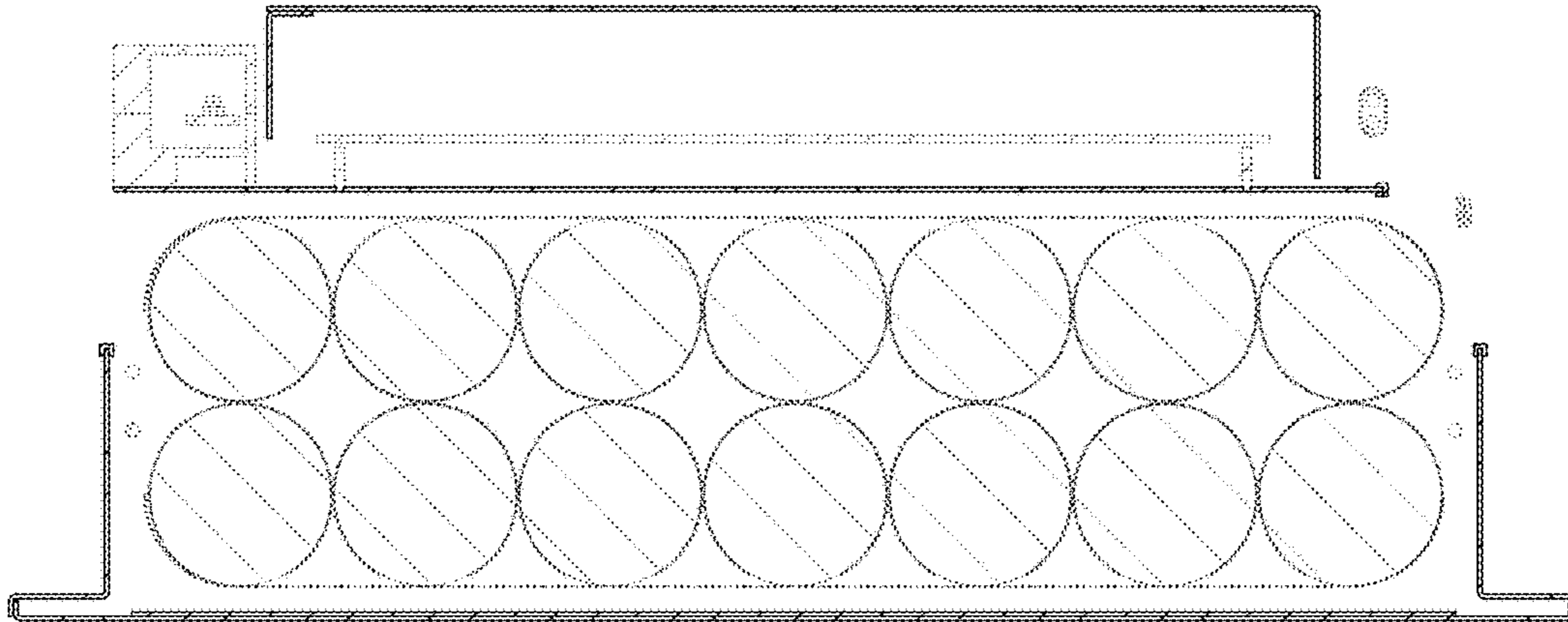
**Fig.5**



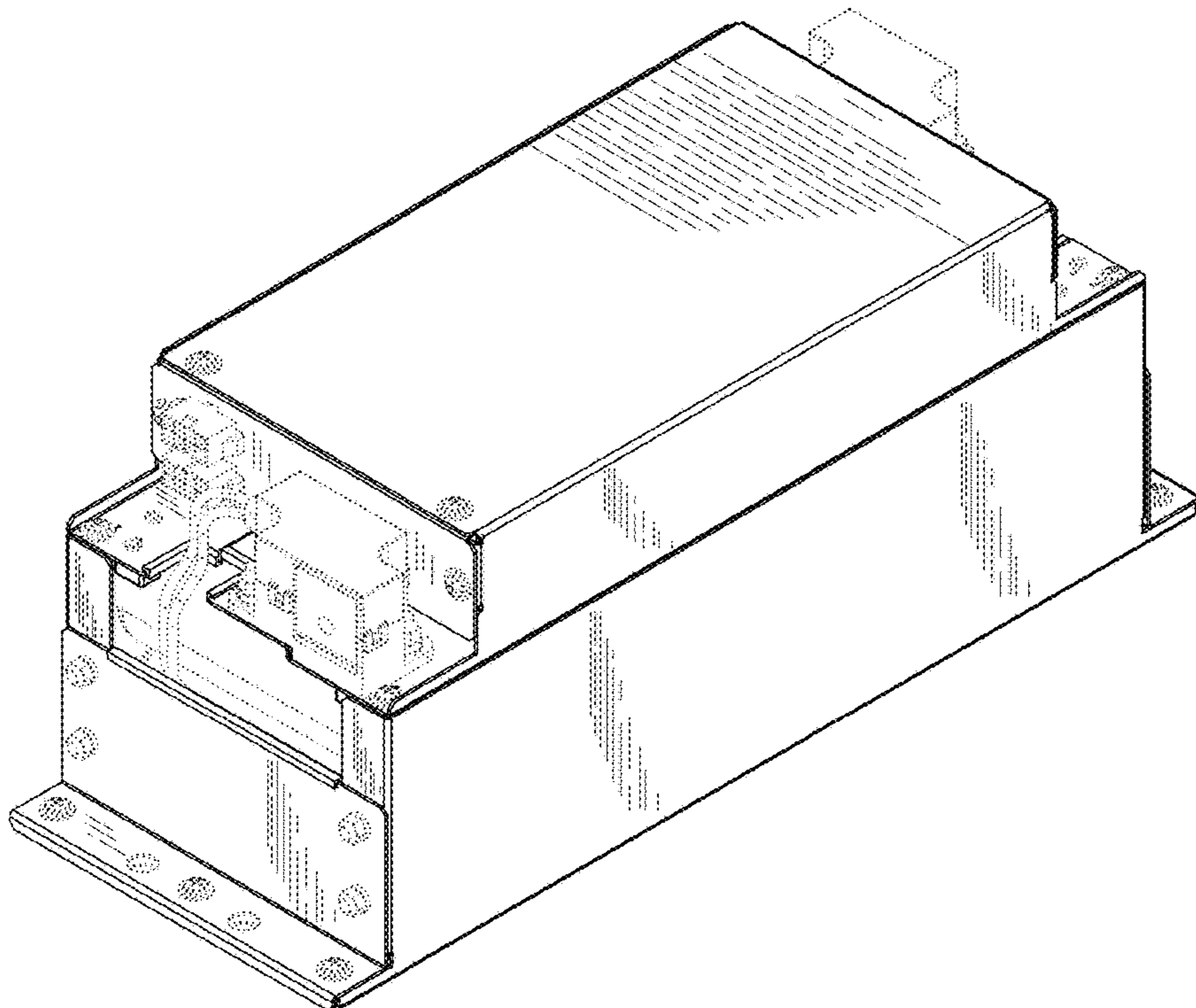
**Fig.6**



**Fig.7**



**Fig.8**



**Fig.9**

