



US00D823247S

(12) **United States Design Patent** (10) **Patent No.:** **US D823,247 S**  
**Lemelson et al.** (45) **Date of Patent:** **\*\* Jul. 17, 2018**

(54) **POWER BANK CHARGING SYSTEM**

(71) Applicant: **Ubio Labs, Inc.**, Bellevue, WA (US)

(72) Inventors: **Jason D. Lemelson**, Bellevue, WA (US); **Kenneth D. Jasinski**, Bellevue, WA (US)

(73) Assignee: **UBIO LABS, INC.**, Bellevue, WA (US)

(\*\*) Term: **15 Years**

(21) Appl. No.: **29/605,960**

(22) Filed: **May 31, 2017**

(51) **LOC (11) Cl.** ..... **13-02**

(52) **U.S. Cl.**  
 USPC ..... **D13/108**; D13/103

(58) **Field of Classification Search**  
 USPC ..... D13/102–110, 118–119, 184, 199;  
 D14/251, 253, 432, 434  
 CPC ..... Y02E 60/10; Y02E 60/12; Y02E 60/122;  
 Y02E 60/124; Y02E 60/50; H01M 2/02;  
 H01M 2/022; H01M 2/0202; H01M  
 2/0207; H01M 2/0212; H01M 2/1061;  
 H01M 2/1022; H01M 2/1055; H01M  
 2/1066; H01M 2/105; H01M 2/20; H01M  
 2/204; H01M 2/206; H01M 10/44; H01M  
 10/46; H01M 10/465; H01M 10/482;  
 H01M 10/425; H01M 2200/30; H01M  
 2250/30; H01M 2250/40; H02J 7/00;  
 H02J 7/0003; H02J 7/0011; H02J 7/0013;  
 H02J 7/0054; H02J 7/0055; H02J 7/0057;  
 H02J 7/025; H02J 7/0042; H02J 7/0044;  
 H02J 7/0045; H02J 2007/0062; Y02T  
 90/14; Y02T 90/122; Y02T 90/128; Y02T  
 90/163; H01F 38/14; H01R 13/6675;  
 B60L 11/182

See application file for complete search history.

(56) **References Cited**

U.S. PATENT DOCUMENTS

D375,936 S *	11/1996	Palatov .....	D13/108
D401,552 S *	11/1998	Tanaka .....	D13/107
D402,258 S *	12/1998	Kawakami .....	D13/107
D453,731 S *	2/2002	Hauptli .....	D13/108
D481,675 S *	11/2003	Ng .....	D13/108
D532,365 S *	11/2006	Shen .....	D13/107
D615,491 S *	5/2010	Emminger .....	D13/108
D653,206 S *	1/2012	Heine .....	D13/108
D676,377 S *	2/2013	Nokuo .....	D13/108
D749,042 S *	2/2016	Gecawicz .....	D13/107
D782,450 S *	3/2017	Jones .....	D14/240
D789,884 S *	6/2017	Bourgeois .....	D13/107
D813,806 S *	3/2018	Ito .....	D13/108

\* cited by examiner

*Primary Examiner* — Rosemary K Tarcza  
*Assistant Examiner* — Nathaniel D Buckner  
 (74) *Attorney, Agent, or Firm* — K&L Gates LLP

(57) **CLAIM**

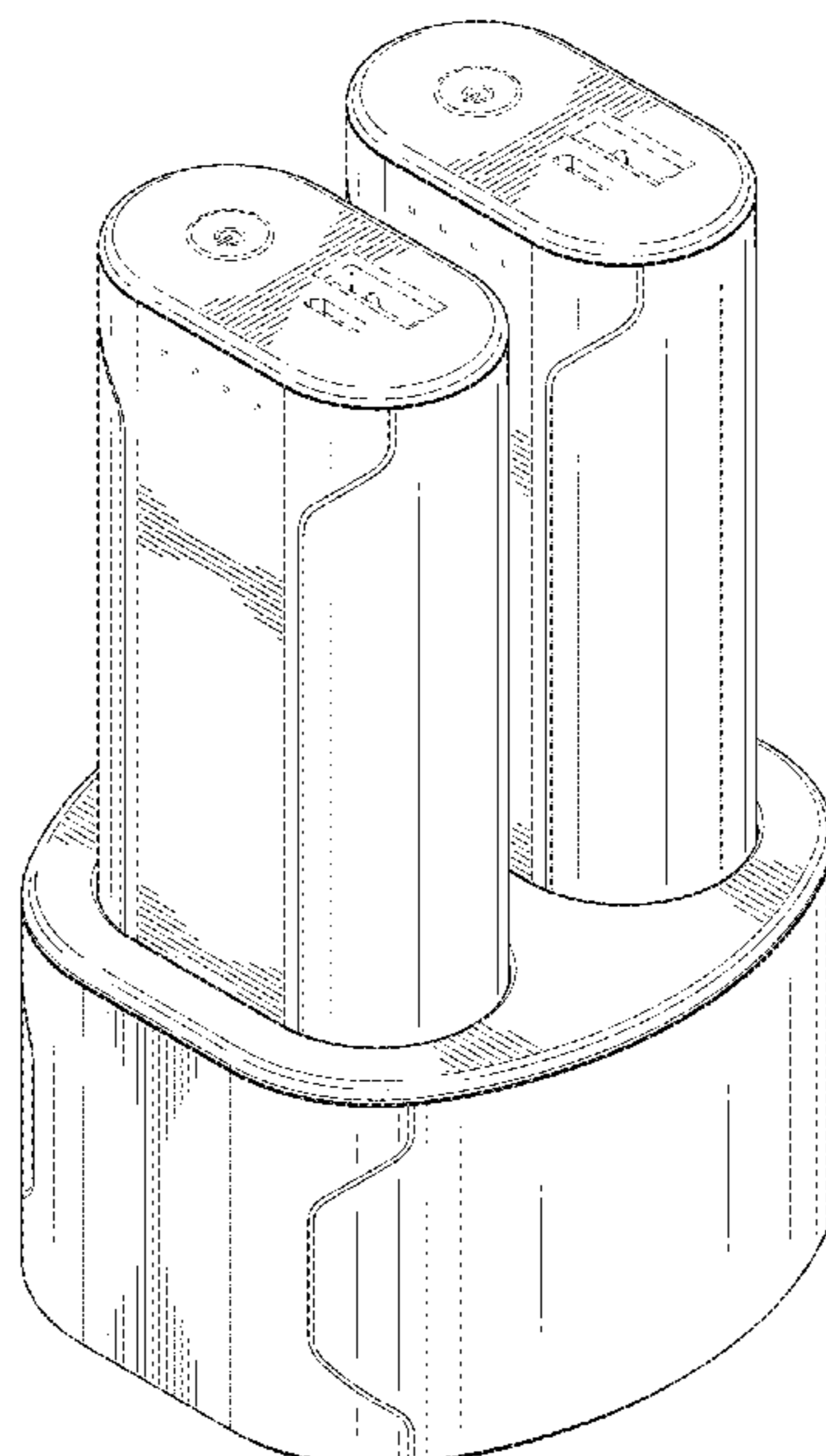
The ornamental design for the power bank charging system, as shown and described.

**DESCRIPTION**

FIG. 1 is a front perspective view of a power bank charging system showing our new design;  
 FIG. 2 is a rear view thereof;  
 FIG. 3 is a front view thereof;  
 FIG. 4 is a right side view thereof;  
 FIG. 5 is a left side view thereof;  
 FIG. 6 is a top view thereof; and,  
 FIG. 7 is a bottom view thereof.

The broken lines in the figures depict portions of the article which form no part of the claimed design.

**1 Claim, 6 Drawing Sheets**



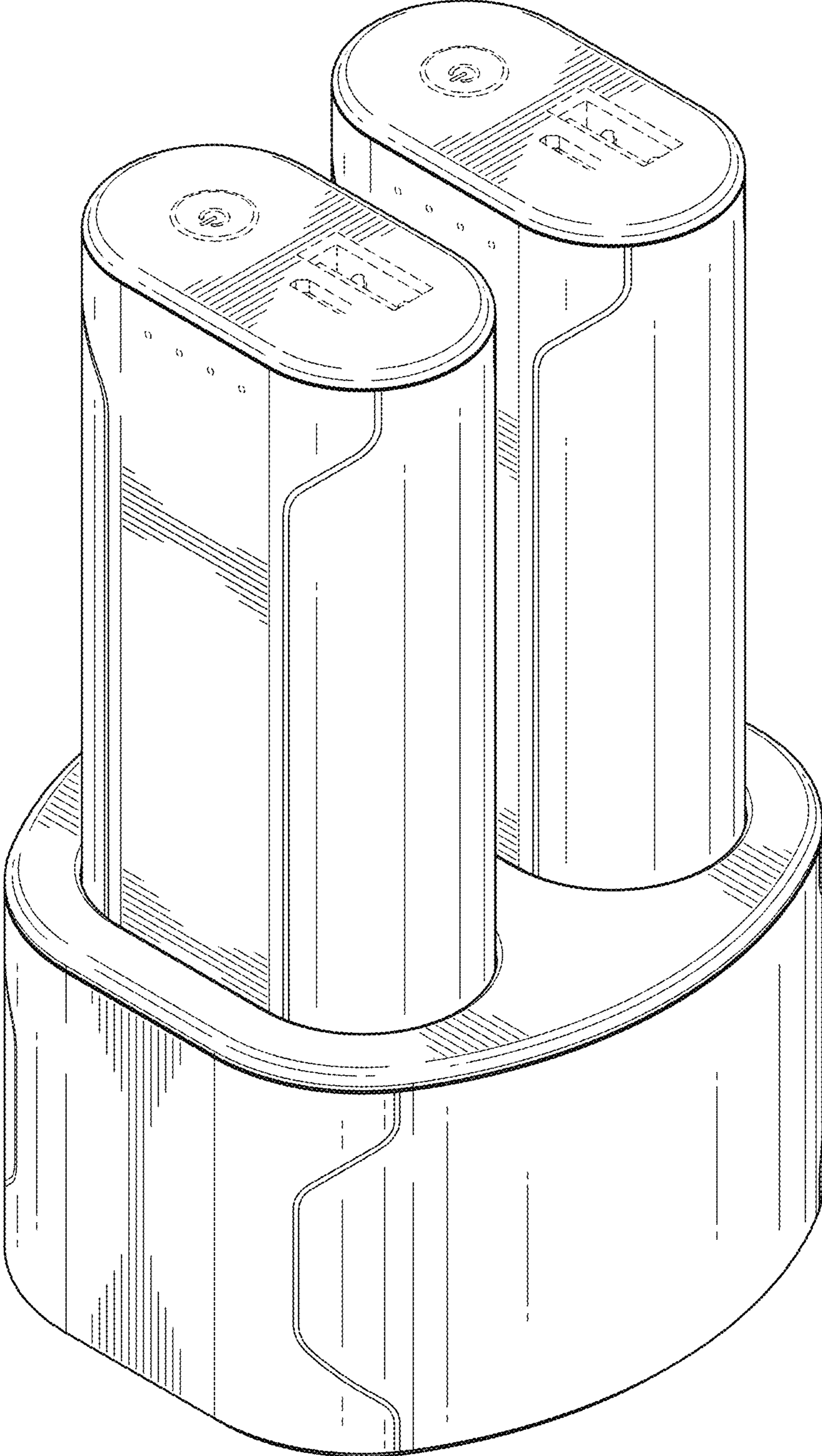


FIG. 1

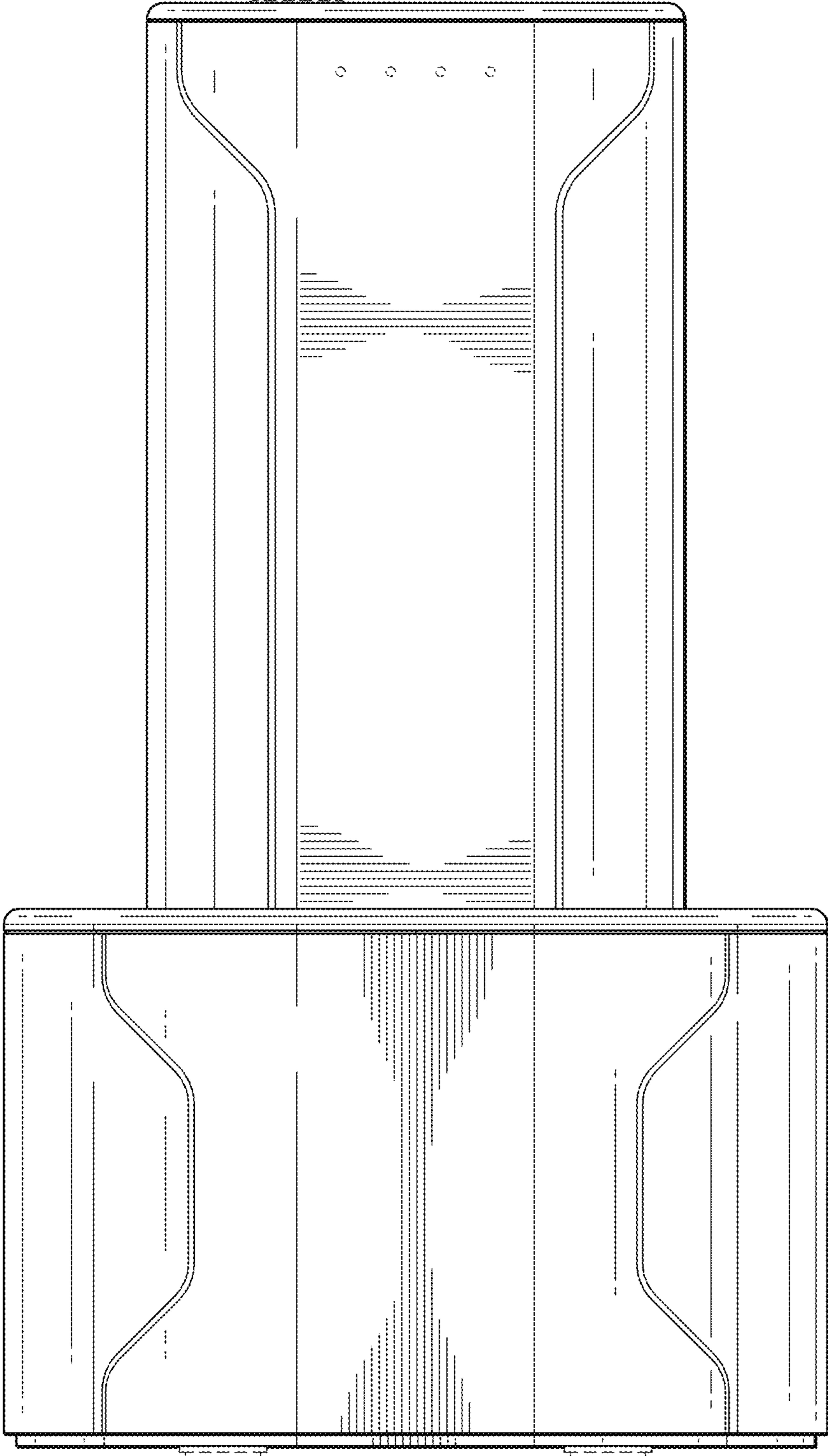


FIG. 2

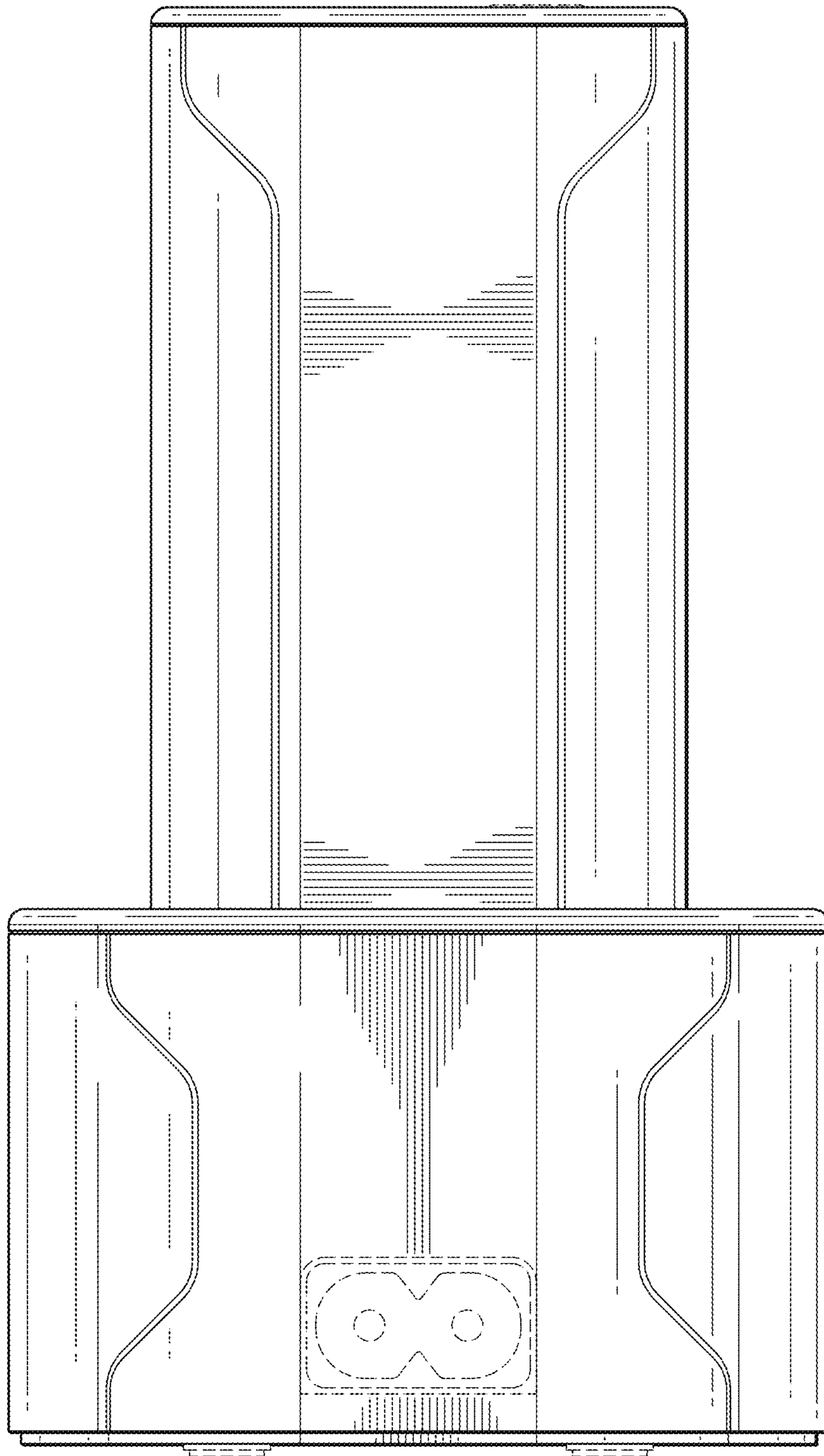


FIG. 3

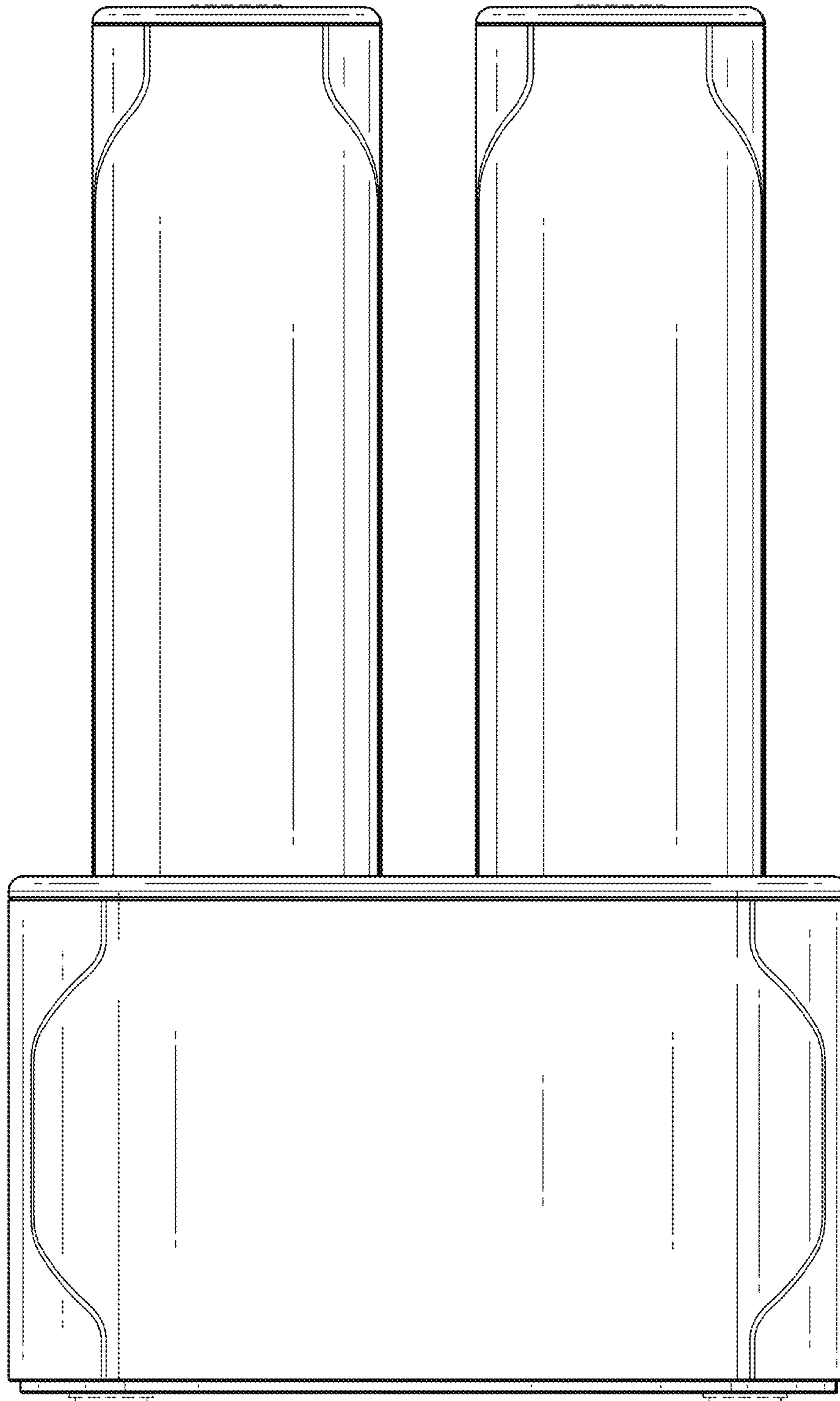


FIG. 4

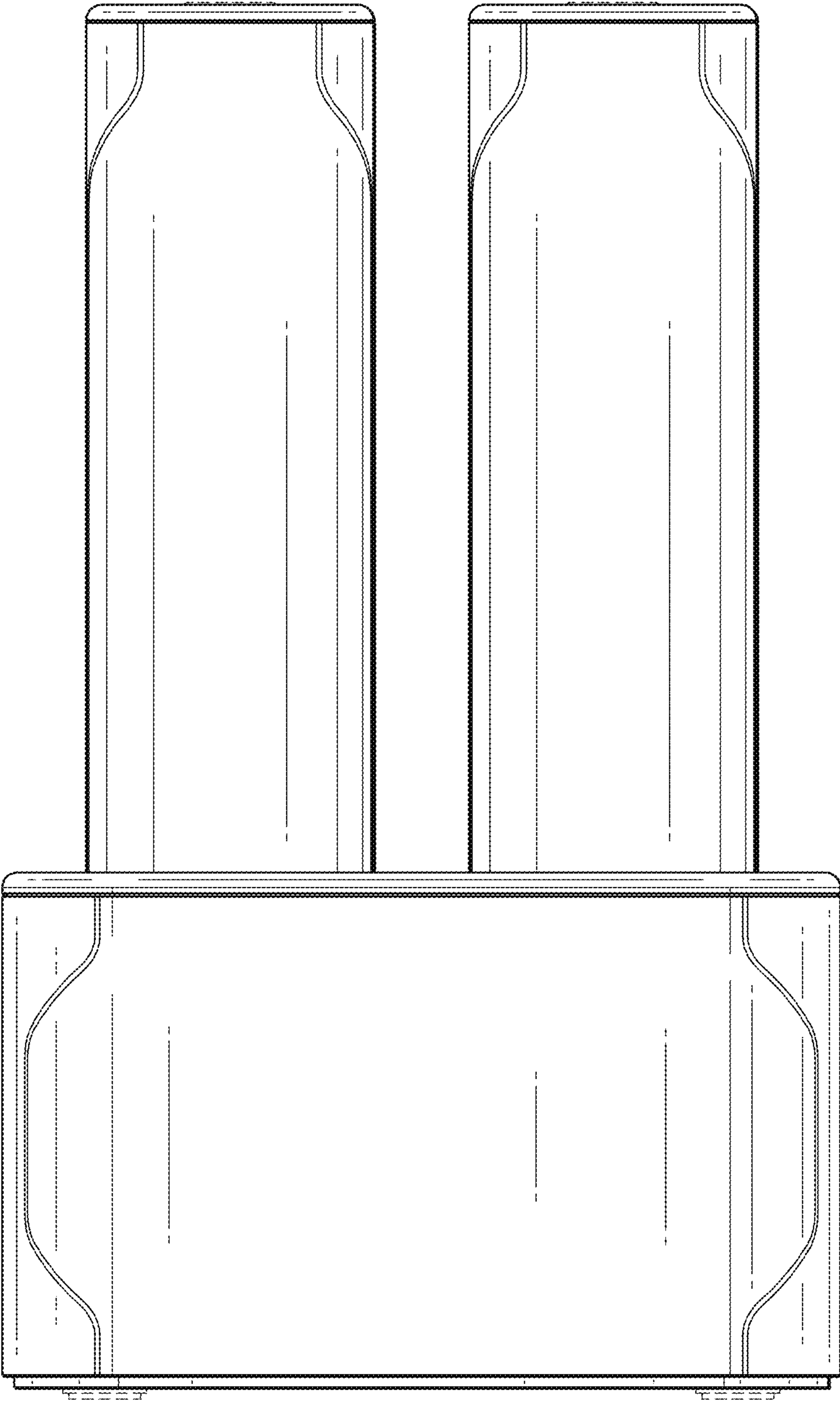


FIG. 5

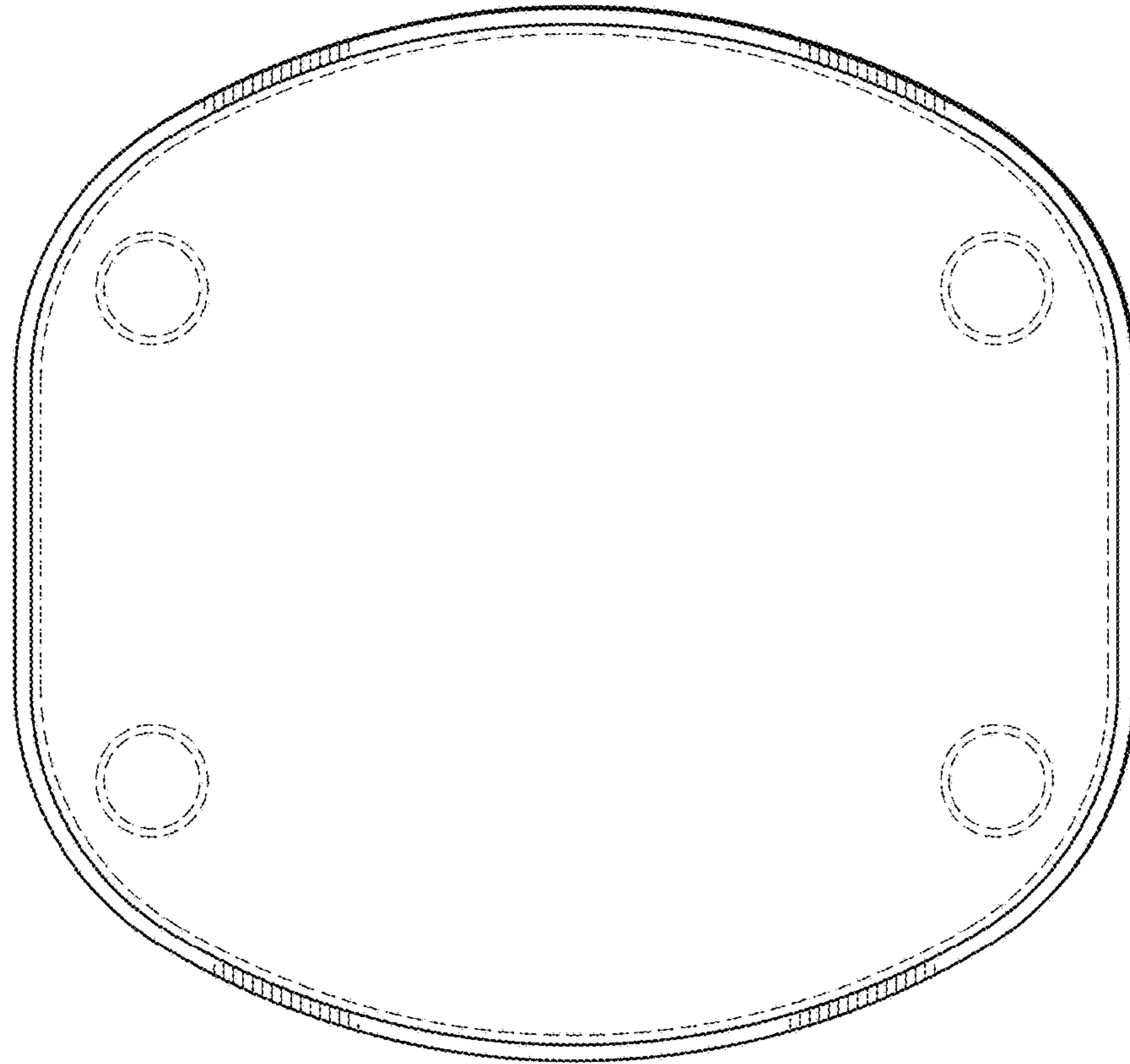


FIG. 6

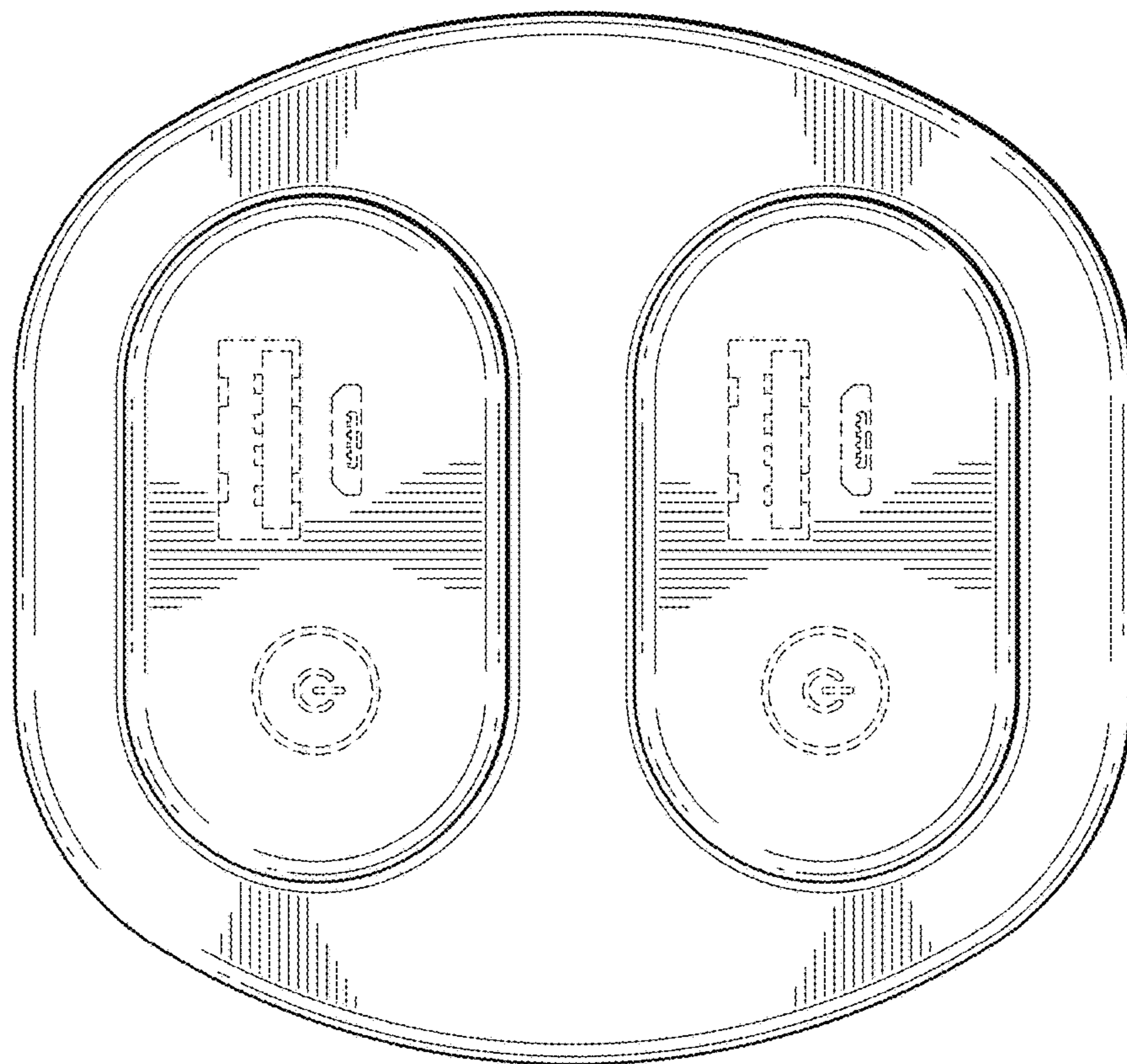


FIG. 7