



US00D823245S

(12) **United States Design Patent** (10) **Patent No.:** **US D823,245 S**  
**Ng** (45) **Date of Patent:** **\*\* Jul. 17, 2018**

(54) **POWERBANK DOCK**

(56) **References Cited**

(71) Applicant: **Superior Communications, Inc.**,  
Irwindale, CA (US)

U.S. PATENT DOCUMENTS

(72) Inventor: **Timothy Ng**, Monrovia, CA (US)

D708,134	S	*	7/2014	Druker	.....	D13/110
D716,729	S	*	11/2014	Kelly	.....	D13/110
D744,420	S	*	12/2015	Chen	.....	D13/103
D749,506	S	*	2/2016	Morgan	.....	D13/108
D750,017	S	*	2/2016	Miller	.....	D13/108
D750,019	S	*	2/2016	Miller	.....	D13/108
D756,920	S	*	5/2016	Dasbach	.....	D13/110
D757,730	S	*	5/2016	Fletcher	.....	D14/434
D769,185	S	*	10/2016	Lee	.....	D13/108
D773,389	S	*	12/2016	Miller	.....	D13/103
D787,443	S	*	5/2017	Chiang	.....	D13/110
2017/0130913	A1	*	5/2017	Chen	.....	H05K 5/0278
2017/0163063	A1	*	6/2017	Cai	.....	H02J 7/0045

(73) Assignee: **SUPERIOR COMMUNICATIONS, INC.**, Irwindale, CA (US)

(\*\*) Term: **15 Years**

(21) Appl. No.: **29/584,047**

\* cited by examiner

(22) Filed: **Nov. 10, 2016**

(51) **LOC (11) Cl.** ..... **13-02**

*Primary Examiner* — Rosemary K Tarcza

(52) **U.S. Cl.**

*Assistant Examiner* — Nathaniel D. Buckner

USPC ..... **D13/108**

(74) *Attorney, Agent, or Firm* — Snell & Wilmer LLP

(58) **Field of Classification Search**

(57) **CLAIM**

USPC ..... D13/102–110, 118–119, 184, 199;  
D14/356, 432

I claim the ornamental design for a powerbank dock, as shown and described.

CPC ..... Y02E 60/10; Y02E 60/12; Y02E 60/122;  
Y02E 60/124; Y02E 60/50; H01M 2/02;  
H01M 2/022; H01M 2/0202; H01M

**DESCRIPTION**

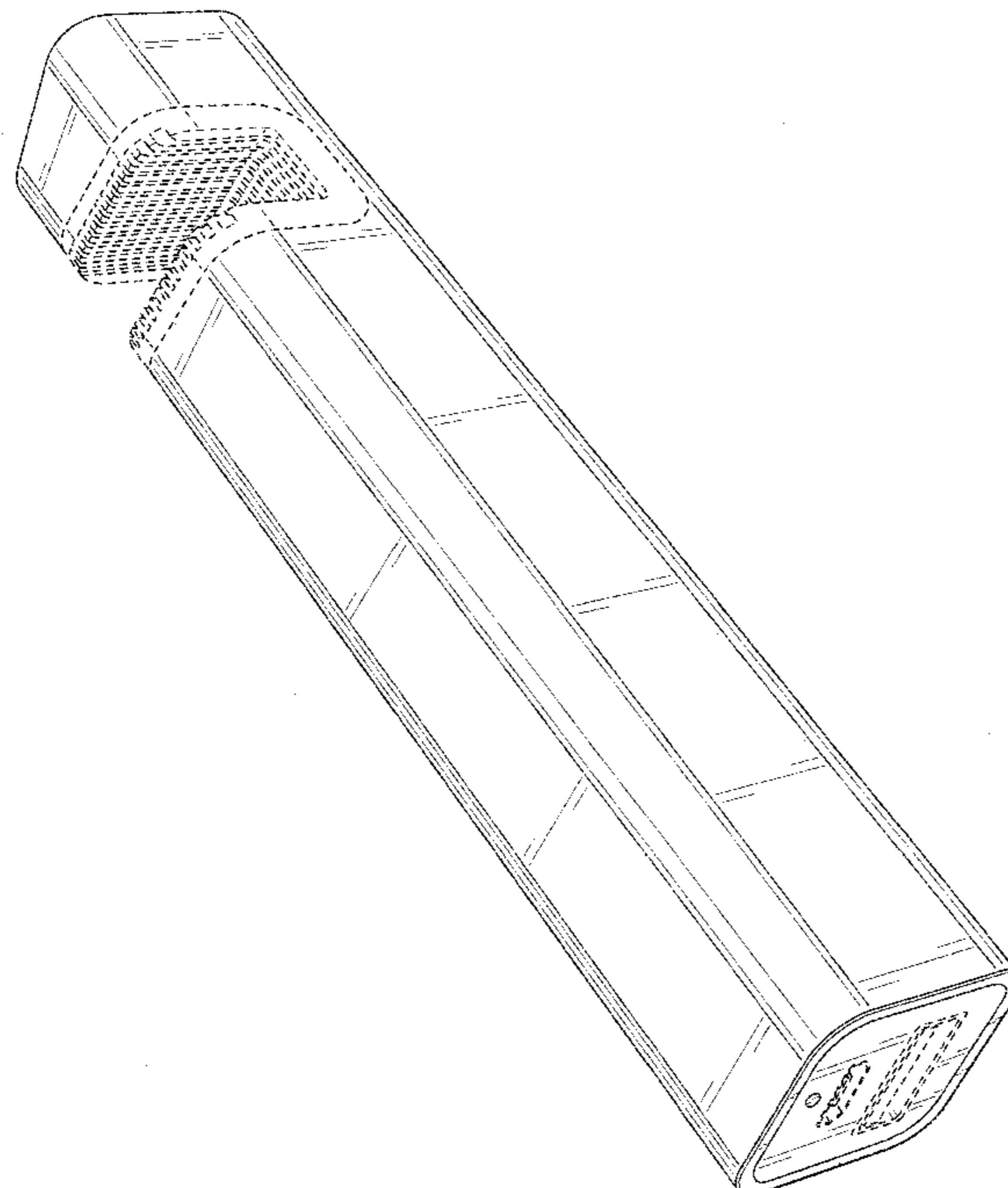
2/0207; H01M 2/0212; H01M 2/1061;  
H01M 2/1022; H01M 2/1055; H01M  
2/1066; H01M 2/105; H01M 2/20; H01M  
2/204; H01M 2/206; H01M 10/44; H01M  
10/46; H01M 10/465; H01M 10/482;  
H01M 2200/30; H01M 2250/30; H01M  
2250/40; H02J 7/00; H02J 7/0003; H02J  
7/0011; H02J 7/0013; H02J 7/0054; H02J  
7/0055; H02J 7/0057; H02J 2007/0062

FIG. 1 is a front perspective view of the powerbank dock;  
FIG. 2 is a front view of the powerbank dock;  
FIG. 3 is a rear view of the powerbank dock;  
FIG. 4 is a right side view of the powerbank dock;  
FIG. 5 is a left side view of the powerbank dock;  
FIG. 6 is a top view of the powerbank dock; and,  
FIG. 7 is a bottom view of the powerbank dock.

The broken lines in the figures depict portions of the article which form no part of the claimed design.

See application file for complete search history.

**1 Claim, 4 Drawing Sheets**



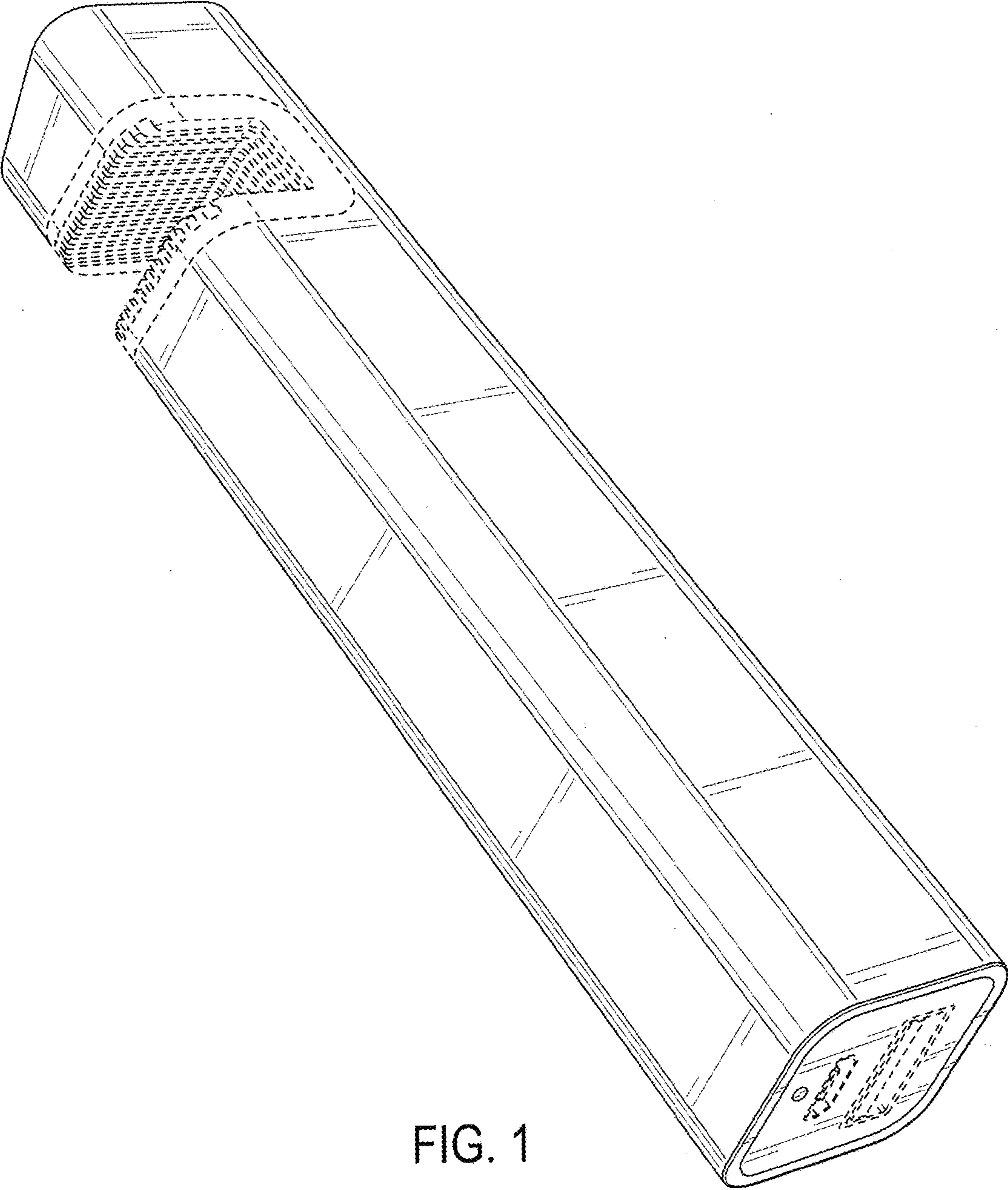


FIG. 1

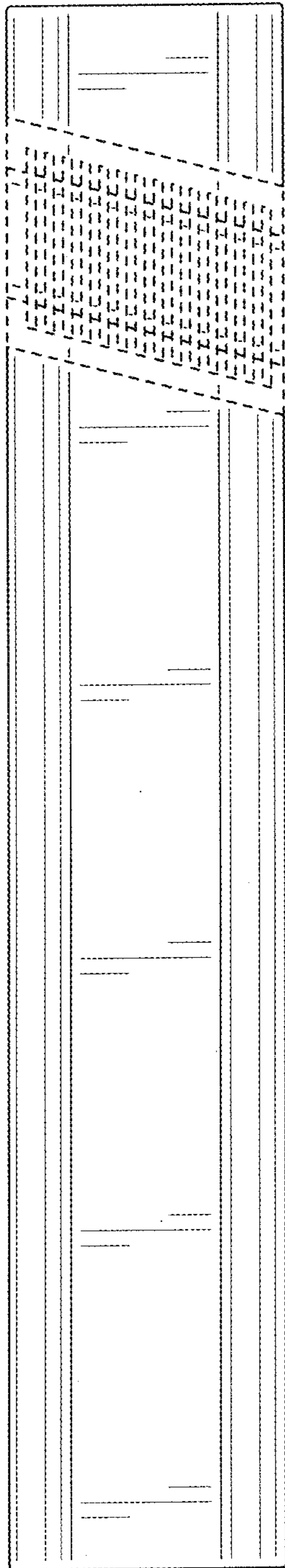


FIG. 2

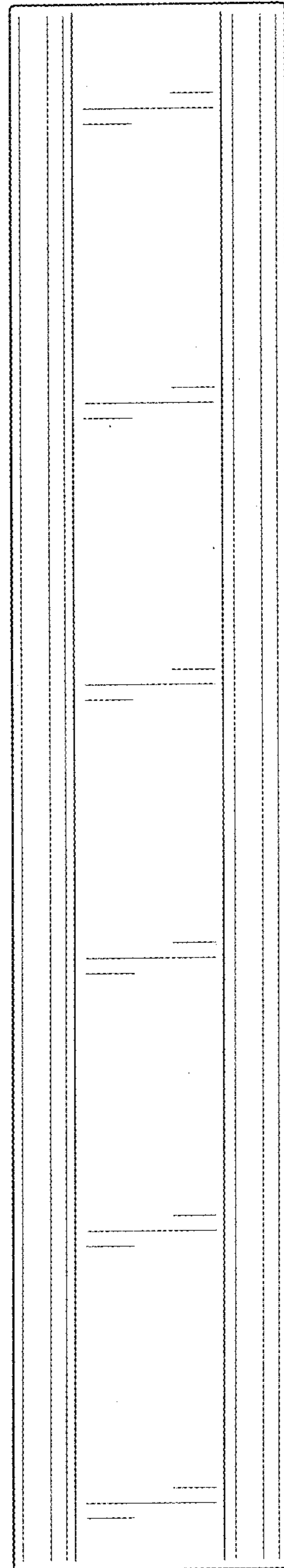


FIG. 3

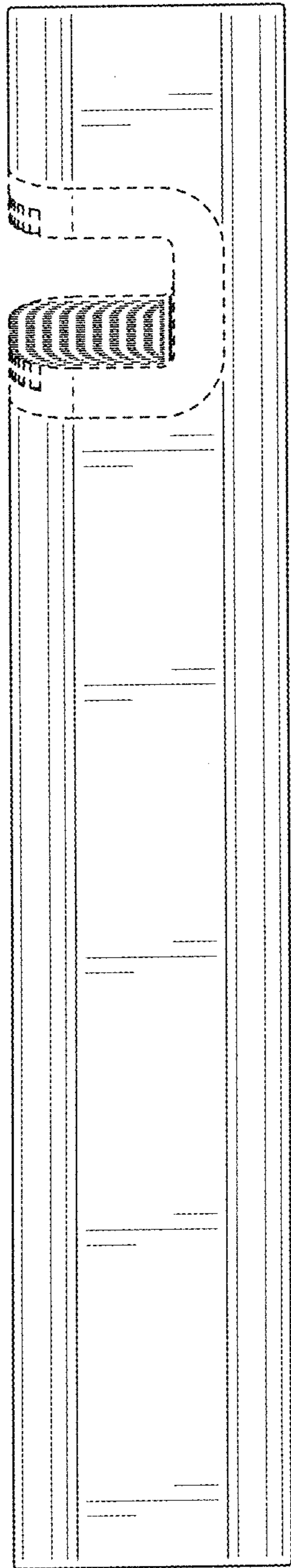


FIG. 4

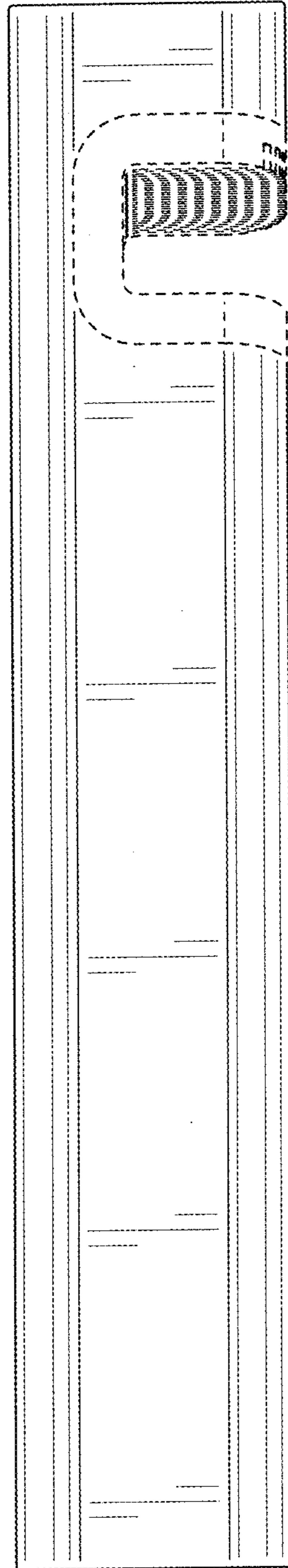


FIG. 5

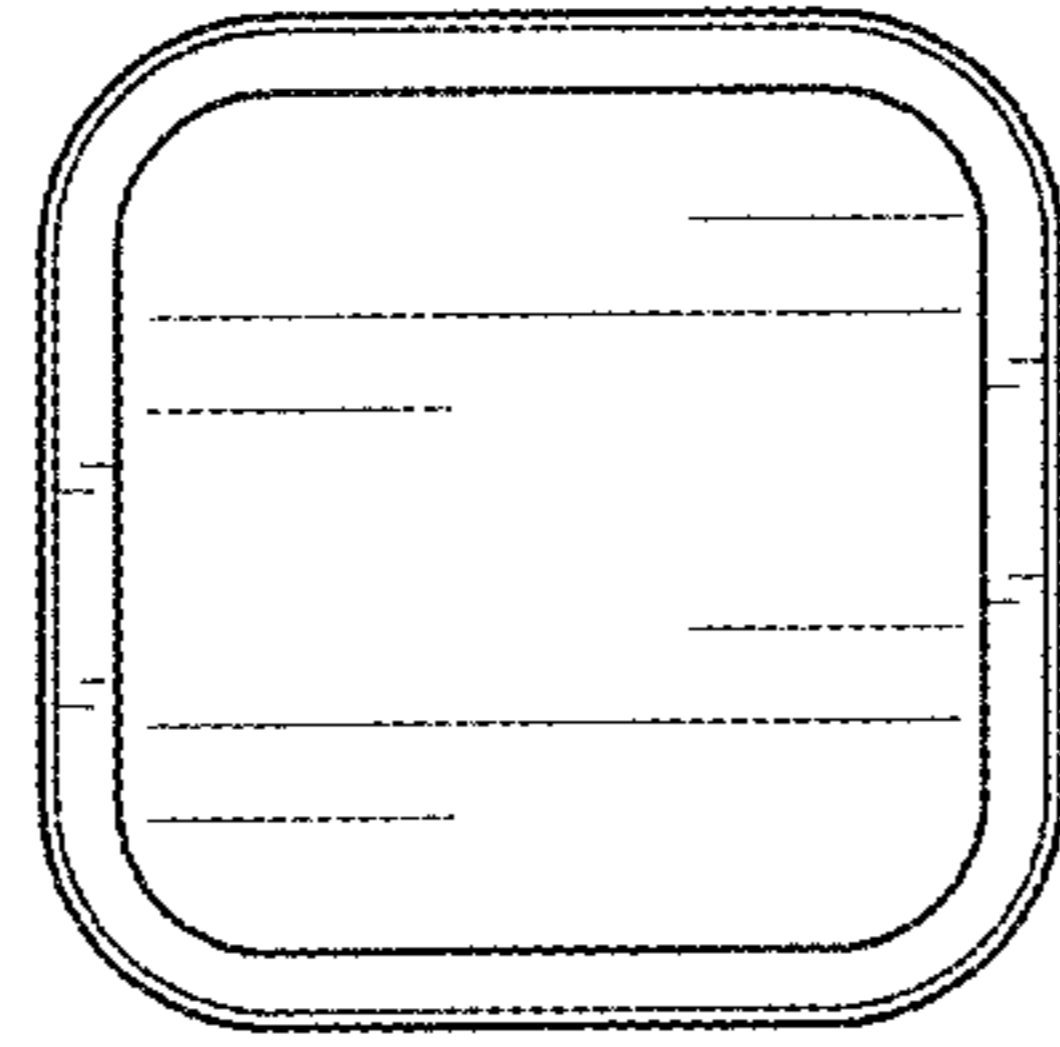


FIG. 6

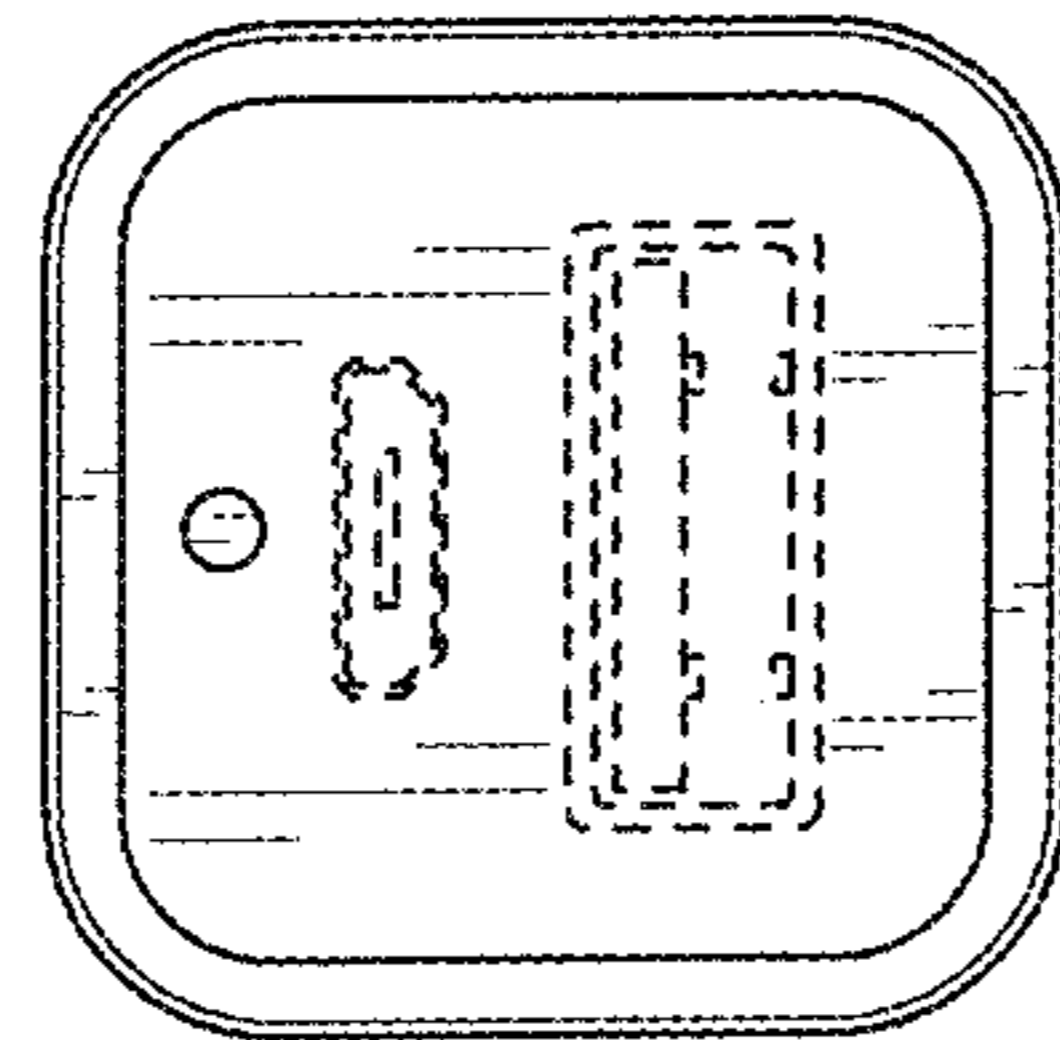


FIG. 7