



US00D823244S

(12) **United States Design Patent**
Yaprak et al.

(10) **Patent No.:** **US D823,244 S**
(45) **Date of Patent:** **** Jul. 17, 2018**

(54) **CHARGER BASE**

(71) Applicant: **VORBECK MATERIALS CORP.**,
Jessup, MD (US)

(72) Inventors: **Can Gun Yaprak**, Halethorpe, MD
(US); **Spencer Perkins**, Washington,
DC (US)

(73) Assignee: **Vorbeck Materials Corp.**, Jessup, MD
(US)

(**) Term: **15 Years**

(21) Appl. No.: **29/575,179**

(22) Filed: **Aug. 23, 2016**

(51) **LOC (11) Cl.** **13-02**

(52) **U.S. Cl.**
USPC **D13/108**

(58) **Field of Classification Search**
USPC D13/107-110, 118-119, 184; D14/251,
D14/253, 432, 434

CPC Y02E 60/12; Y02T 90/14; Y02T 90/122;
Y02T 90/128; Y02T 90/163; H01F 38/14;
H01R 13/6675; H01M 2/1022; H01M
2/1055; H01M 10/44; H01M 10/46;
H01M 10/425; B60L 11/182

See application file for complete search history.

(56) **References Cited**

U.S. PATENT DOCUMENTS

D396,446 S * 7/1998 Kettula D13/107
D449,030 S * 10/2001 Baxter D13/110

D481,674 S * 11/2003 Sade D13/108
D557,209 S * 12/2007 Ahlgren D13/108
D587,191 S * 2/2009 Kim D13/108
D591,233 S * 4/2009 Kagami D13/108
D614,135 S * 4/2010 Bowser D13/133
D616,364 S * 5/2010 Nysten D13/108
D621,349 S * 8/2010 Nysten D13/108
D655,244 S * 3/2012 Au D13/108
8,272,899 B2 * 9/2012 Youssefi-Shams H01R 13/44
439/628
2004/0196000 A1 * 10/2004 Wei H01R 13/60
320/111
2005/0088141 A1 * 4/2005 Lee A45F 5/00
320/114

* cited by examiner

Primary Examiner — Rosemary K Tarcza

Assistant Examiner — Alison M Ofstun

(74) *Attorney, Agent, or Firm* — Trentice V. Bolar, Esq.

(57) **CLAIM**

The ornamental design for a charger base, as shown.

DESCRIPTION

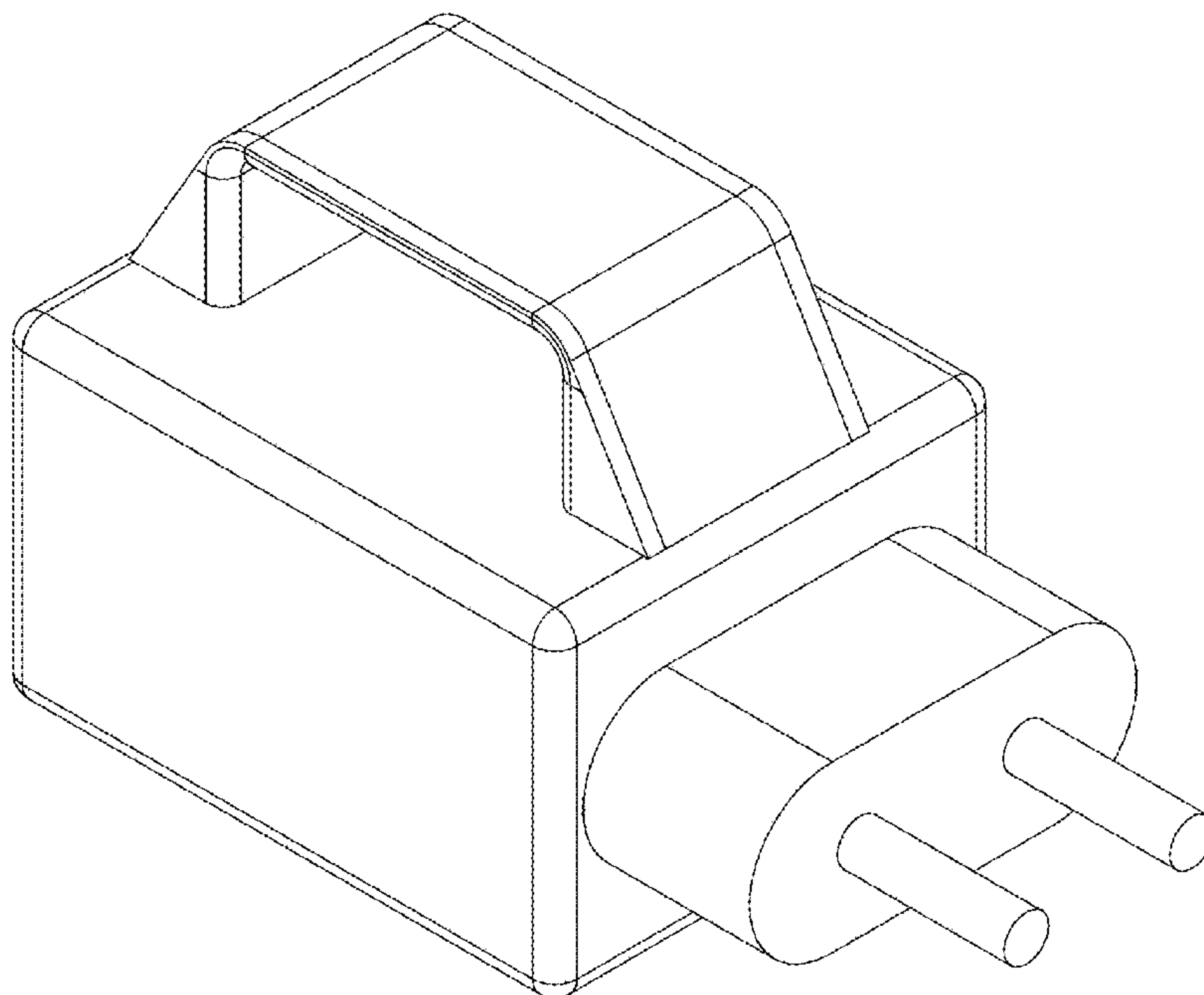
FIG. 1 is a perspective view of a charger base showing our new design.

FIG. 2 is a front view thereof;

FIG. 3 is a side view thereof; and,

FIG. 4 is a back view thereof.

1 Claim, 4 Drawing Sheets



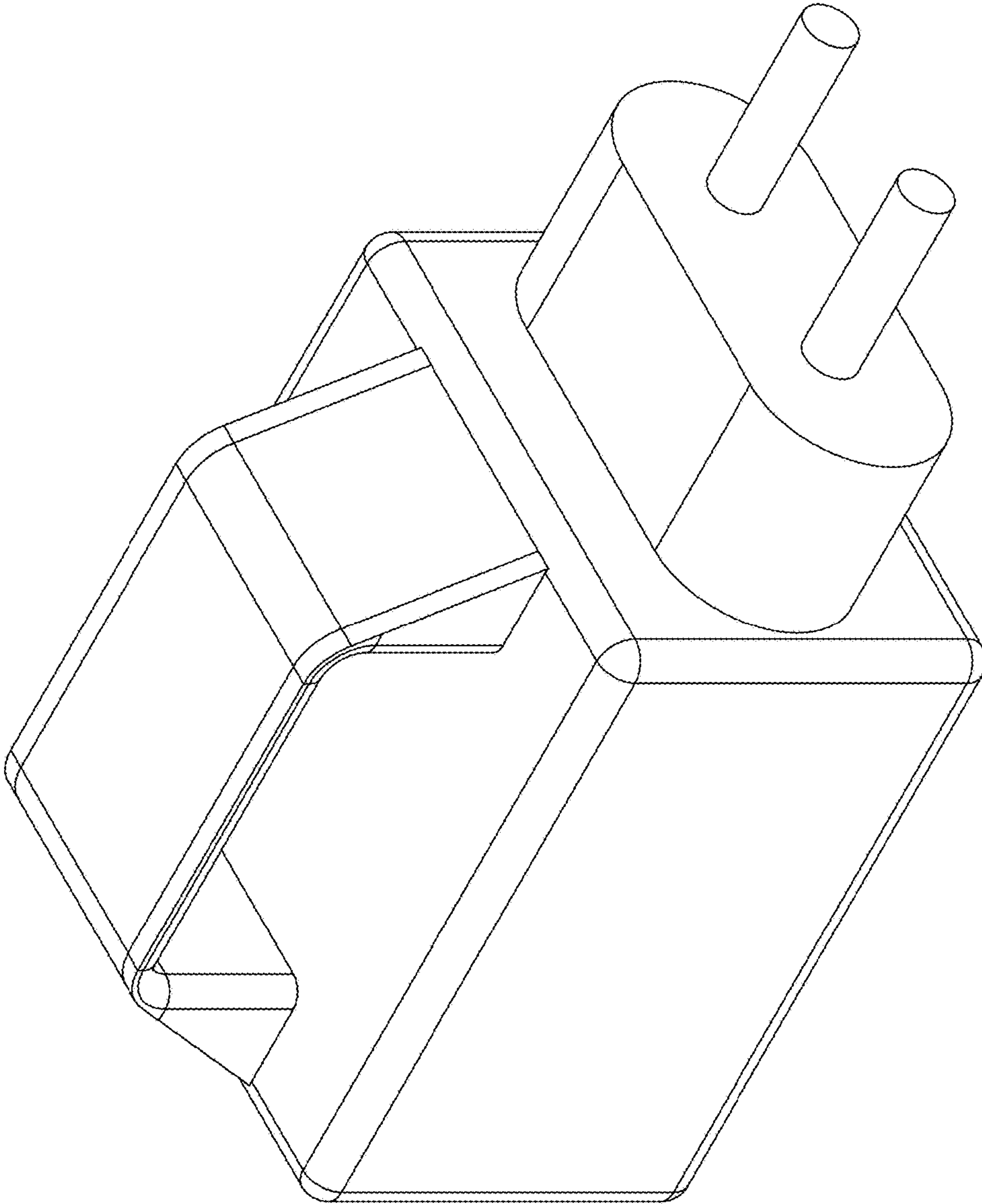


FIG. 1

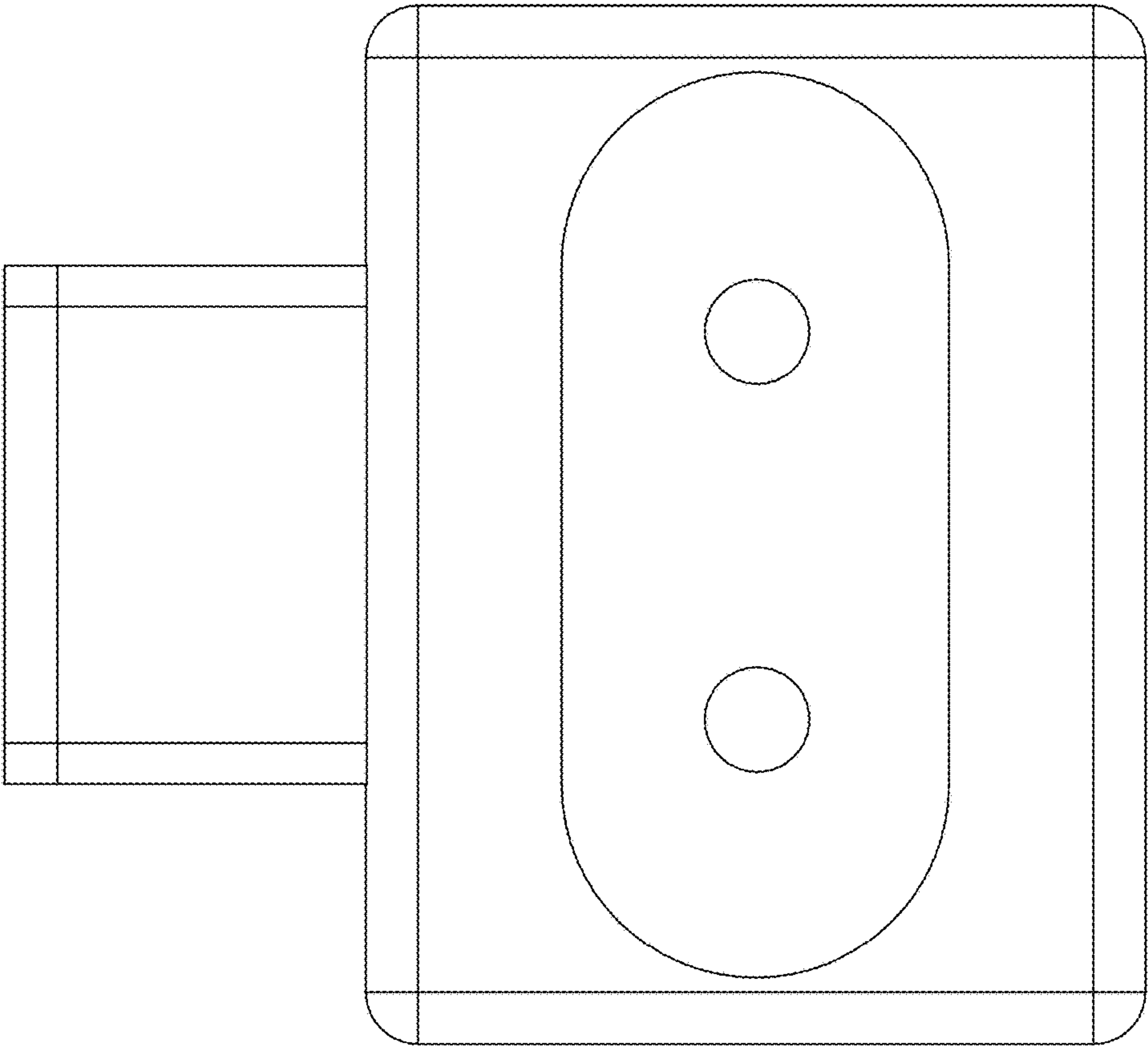


FIG. 2

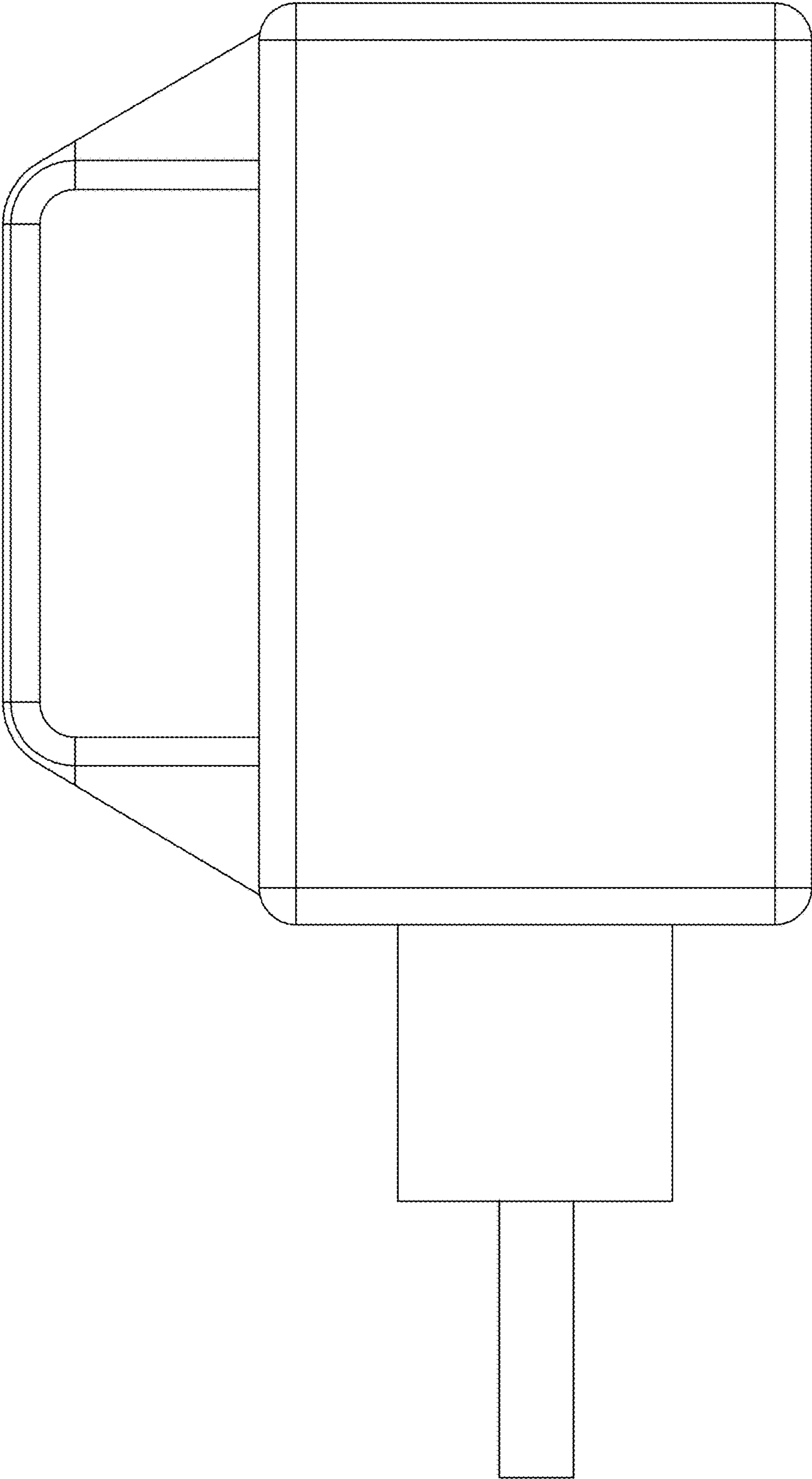


FIG. 3

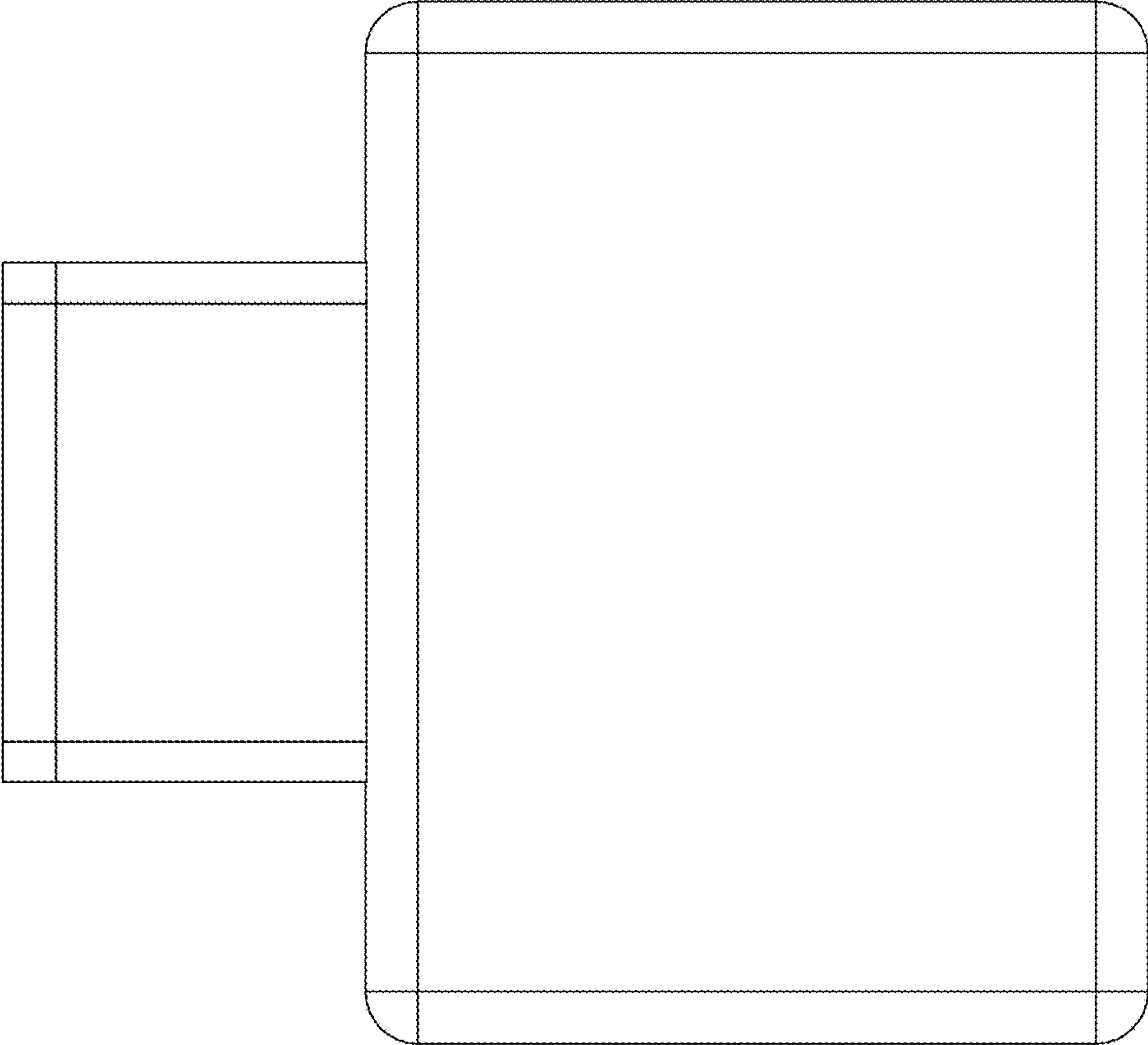


FIG. 4