



US00D823243S

(12) **United States Design Patent** (10) **Patent No.:** **US D823,243 S**  
**Toscani et al.** (45) **Date of Patent:** **\*\* Jul. 17, 2018**

- (54) **JUMP BOX**
- (71) Applicants: **Gerard M Toscani**, Moorestown, NJ (US); **Henry J. Mack, Jr.**, Phillipsburg, NJ (US); **Oliver Sha**, West Islip, NY (US)
- (72) Inventors: **Gerard M Toscani**, Moorestown, NJ (US); **Henry J. Mack, Jr.**, Phillipsburg, NJ (US); **Oliver Sha**, West Islip, NY (US)
- (73) Assignee: **Paris Business Products, Inc.**, Westampton, NJ (US)
- (\*\*) Term: **15 Years**
- (21) Appl. No.: **29/571,722**
- (22) Filed: **Jul. 21, 2016**
- (51) **LOC (11) Cl.** ..... **13-02**
- (52) **U.S. Cl.**  
 USPC ..... **D13/107; D13/120**
- (58) **Field of Classification Search**  
 USPC ..... D13/103, 107, 108, 110, 119, 120, 149, D13/184, 199; 320/104, 105  
 CPC ..... H02J 7/0054; H02J 7/0031; H02J 7/007; H02J 2001/006  
 See application file for complete search history.

- (56) **References Cited**
- U.S. PATENT DOCUMENTS
- |              |         |          |       |         |
|--------------|---------|----------|-------|---------|
| D564,960 S * | 3/2008  | Sacco    | ..... | D13/107 |
| D565,506 S * | 4/2008  | Sacco    | ..... | D13/107 |
| D586,740 S * | 2/2009  | Song     | ..... | D13/103 |
| D632,648 S * | 2/2011  | Yang     | ..... | D13/103 |
| D650,738 S * | 12/2011 | Leung    | ..... | D13/107 |
| D657,309 S * | 4/2012  | Robinson | ..... | D13/103 |
| D665,734 S * | 8/2012  | Fitch    | ..... | D13/107 |

- |                   |         |          |       |                        |
|-------------------|---------|----------|-------|------------------------|
| D730,280 S *      | 5/2015  | Koebler  | ..... | D13/107                |
| D770,972 S *      | 11/2016 | Kruglak  | ..... | D13/107                |
| D780,689 S *      | 3/2017  | Inskeep  | ..... | D13/107                |
| D807,286 S *      | 1/2018  | Qiu      | ..... | D13/103                |
| D814,405 S *      | 4/2018  | Hahn     | ..... | D13/107                |
| 2011/0199041 A1 * | 8/2011  | Yang     | ..... | H01M 10/46<br>320/101  |
| 2013/0049675 A1 * | 2/2013  | Minami   | ..... | H02J 7/0054<br>320/103 |
| 2014/0017535 A1 * | 1/2014  | Kawamura | ..... | H01M 10/0525<br>429/94 |

\* cited by examiner

*Primary Examiner* — Derrick Holland  
*Assistant Examiner* — Jennifer O King  
 (74) *Attorney, Agent, or Firm* — Stuart M. Goldstein

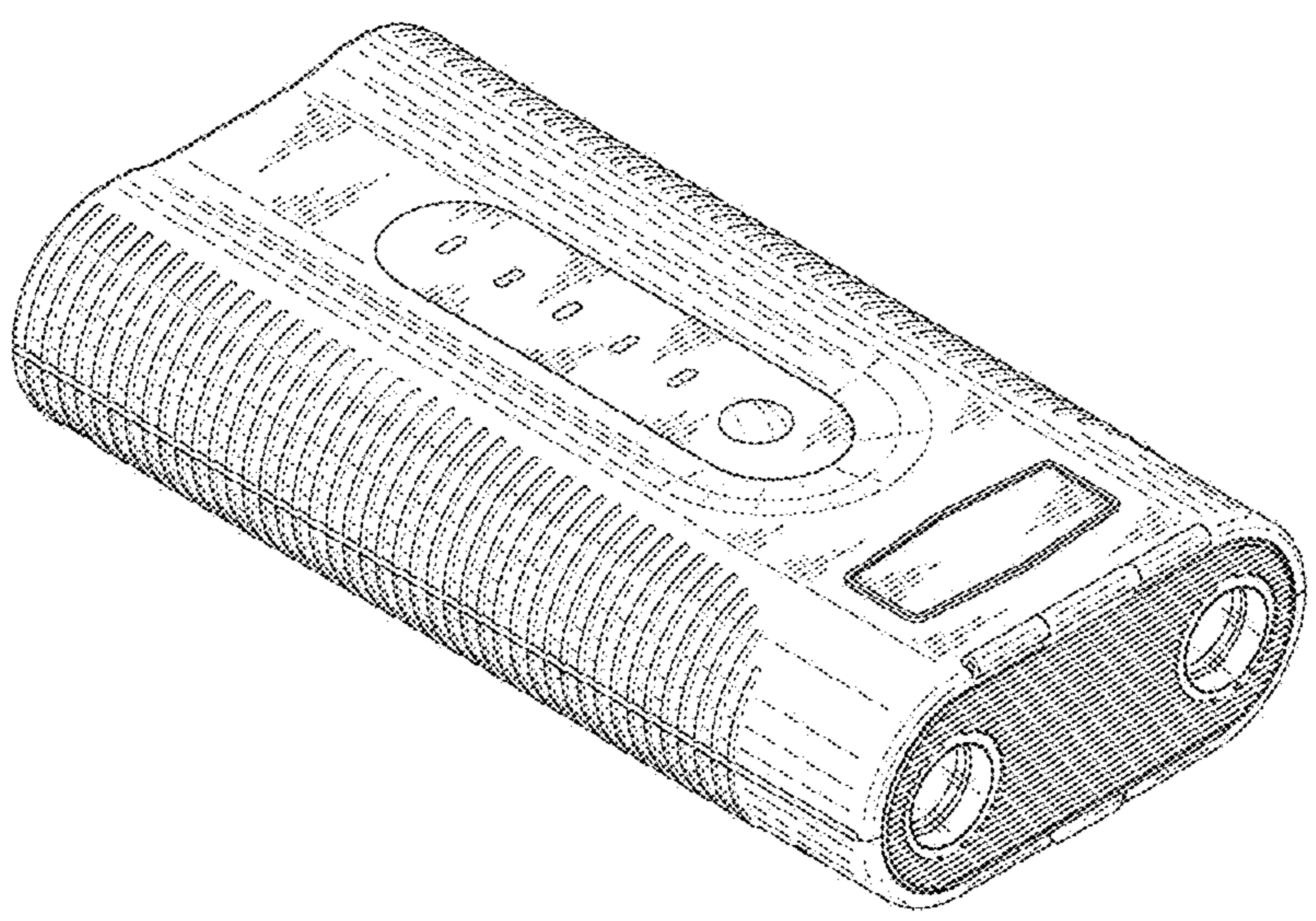
(57) **CLAIM**

The ornamental design for a jump box, as shown and described.

**DESCRIPTION**

FIG. 1 is a perspective view of a jump box of the present invention.  
 FIG. 2 is a top view of the jump box of the present invention.  
 FIG. 3 is a bottom view of the jump box of the present invention.  
 FIG. 4 is a front end view of the jump box of the present invention.  
 FIG. 5 is the opposite end view of the jump box of the present invention.  
 FIG. 6 is a elevation view of the jump box of the present invention.  
 FIG. 7 is the opposite elevation view of the jump box of the present invention; and,  
 FIG. 8 is a perspective view identical to that which is shown in FIG. 1, except that the view is shown with the front end cover in an upright position.

**1 Claim, 6 Drawing Sheets**



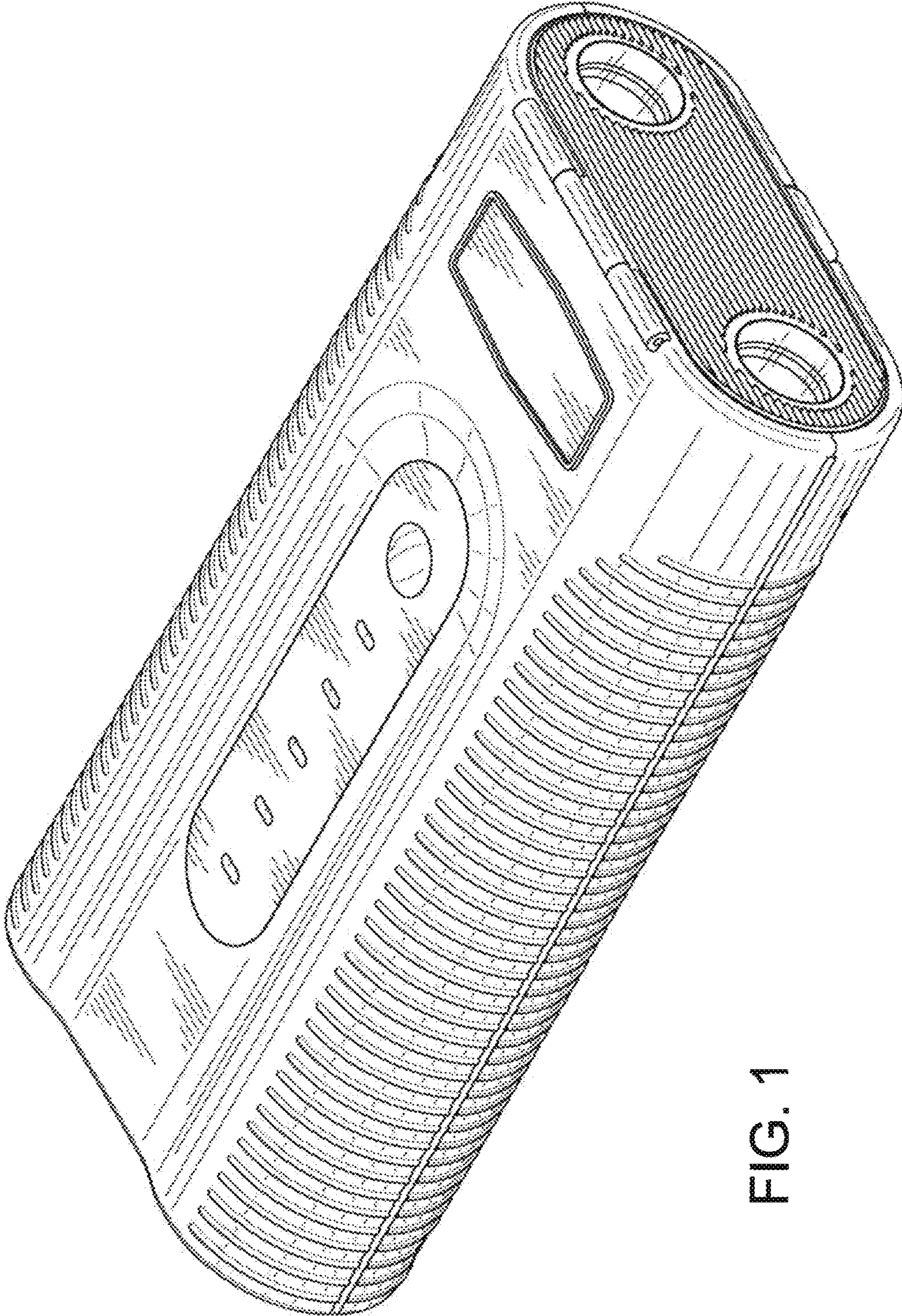


FIG. 1

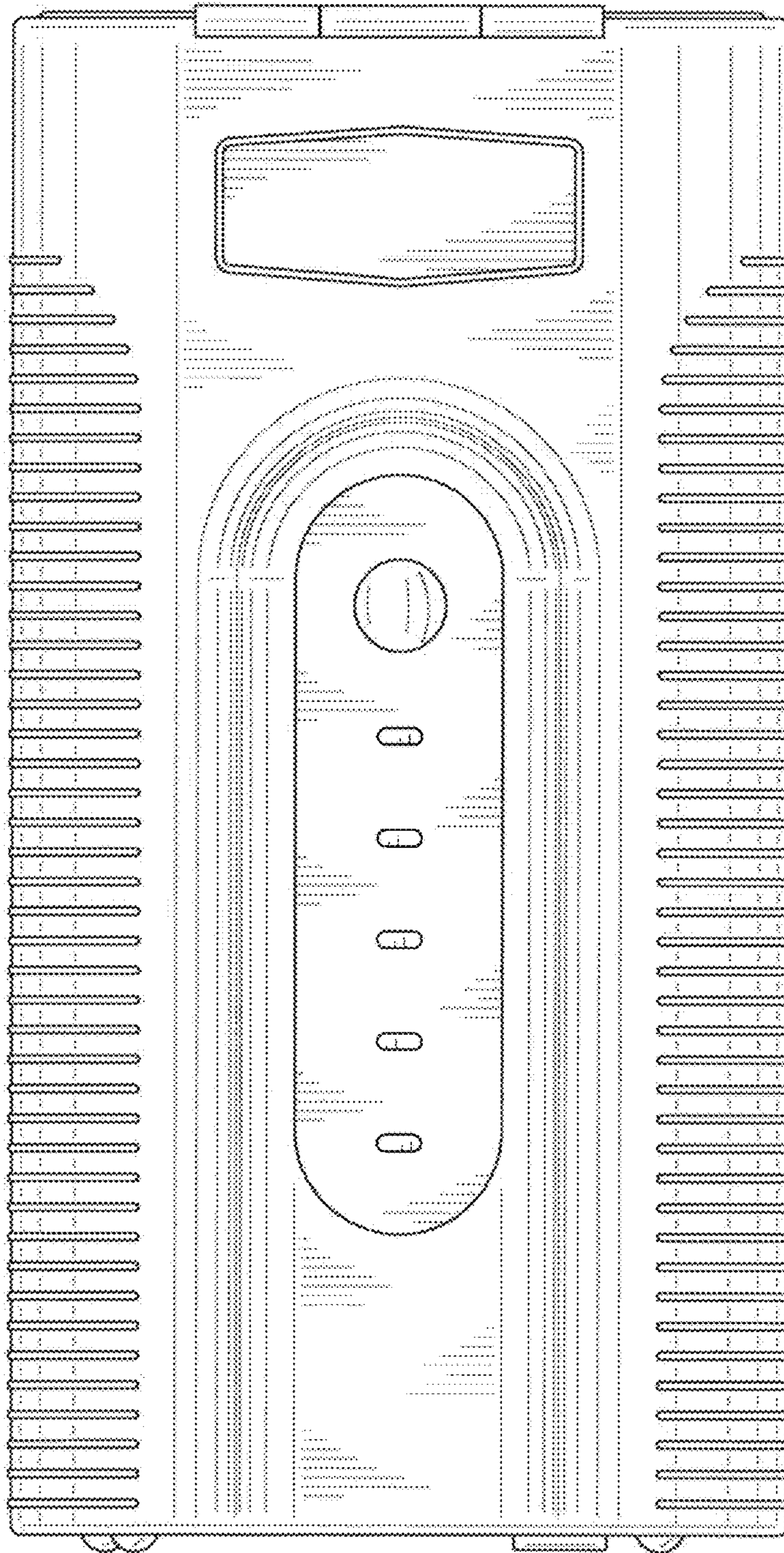


FIG. 2

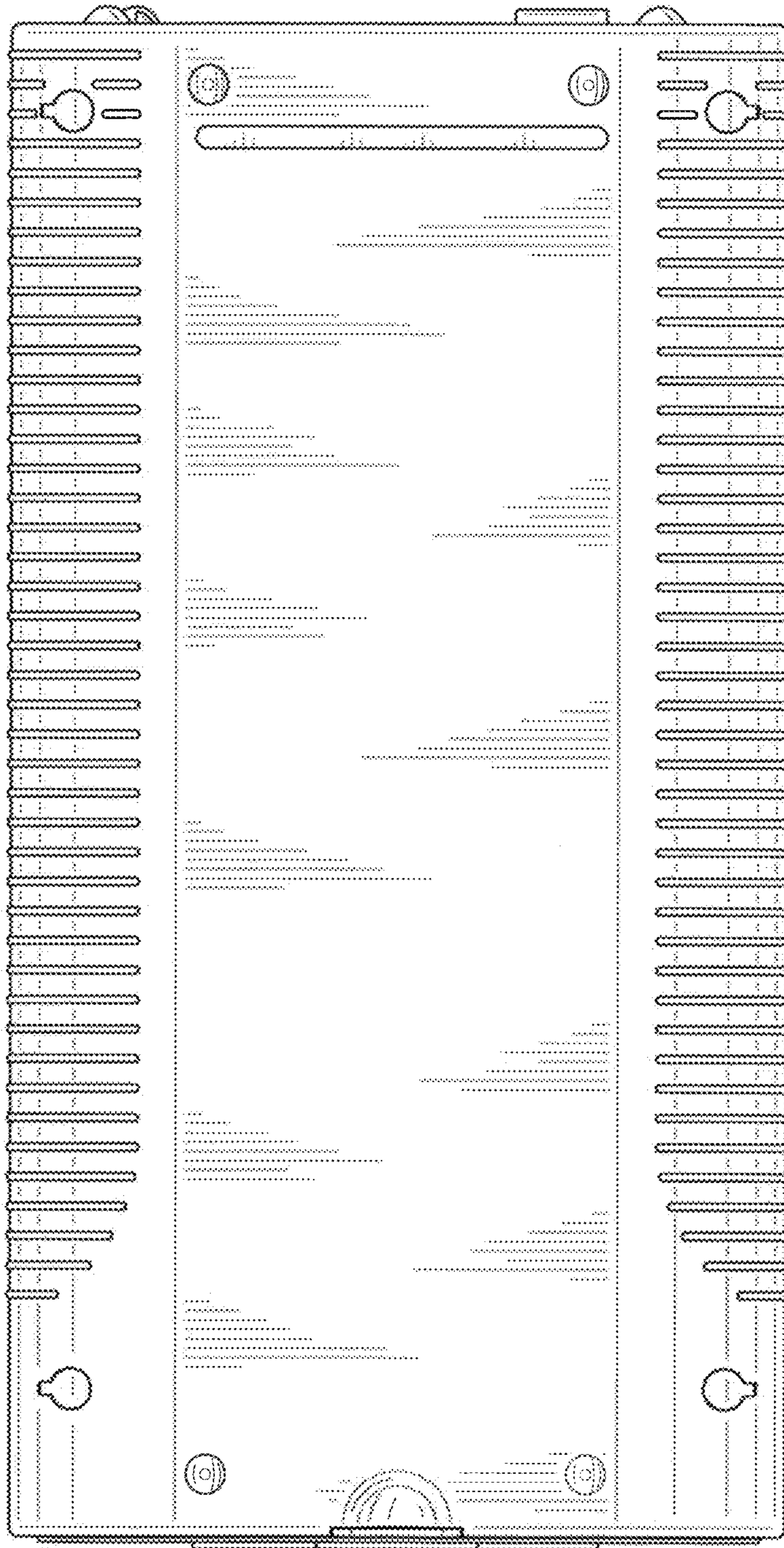


FIG. 3

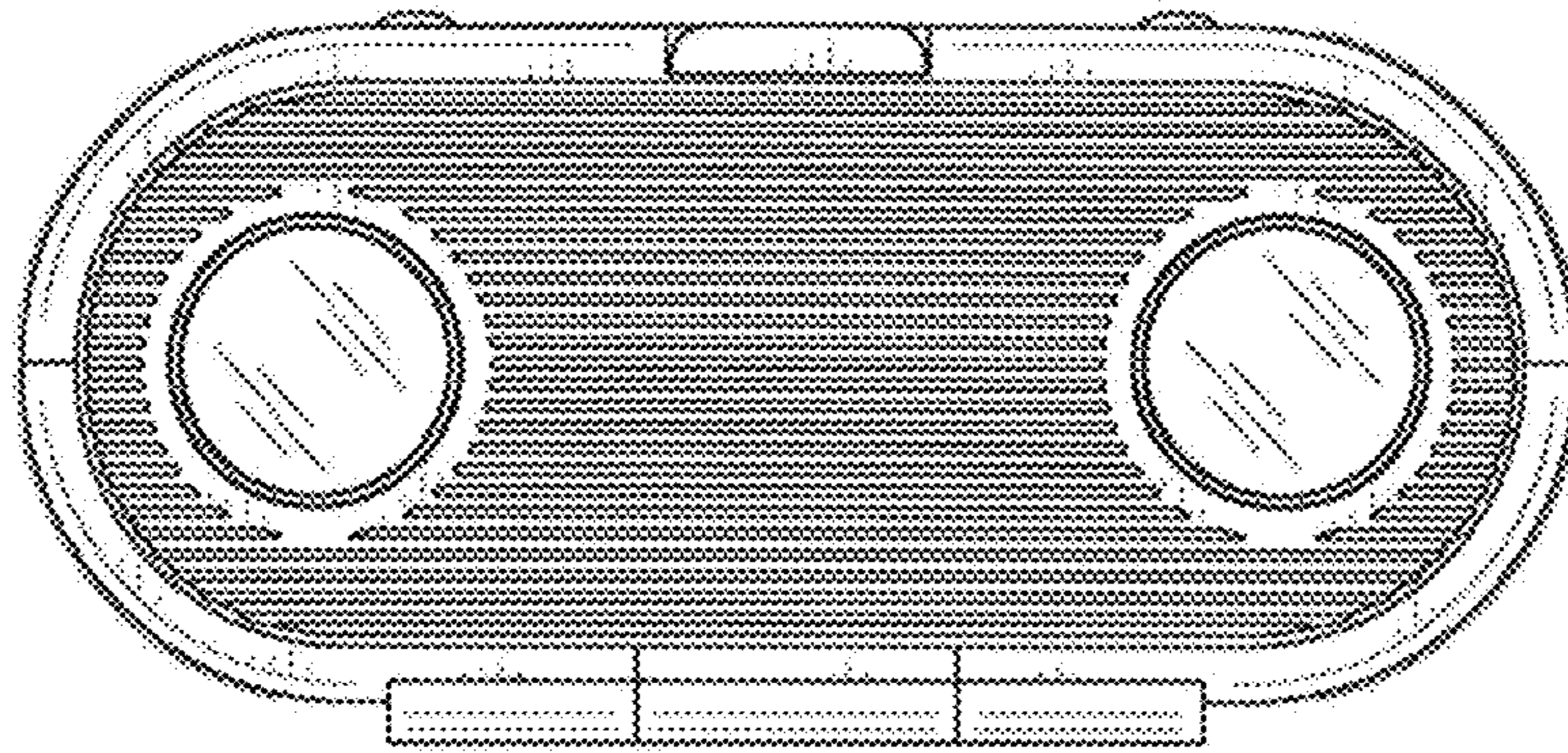


FIG. 4

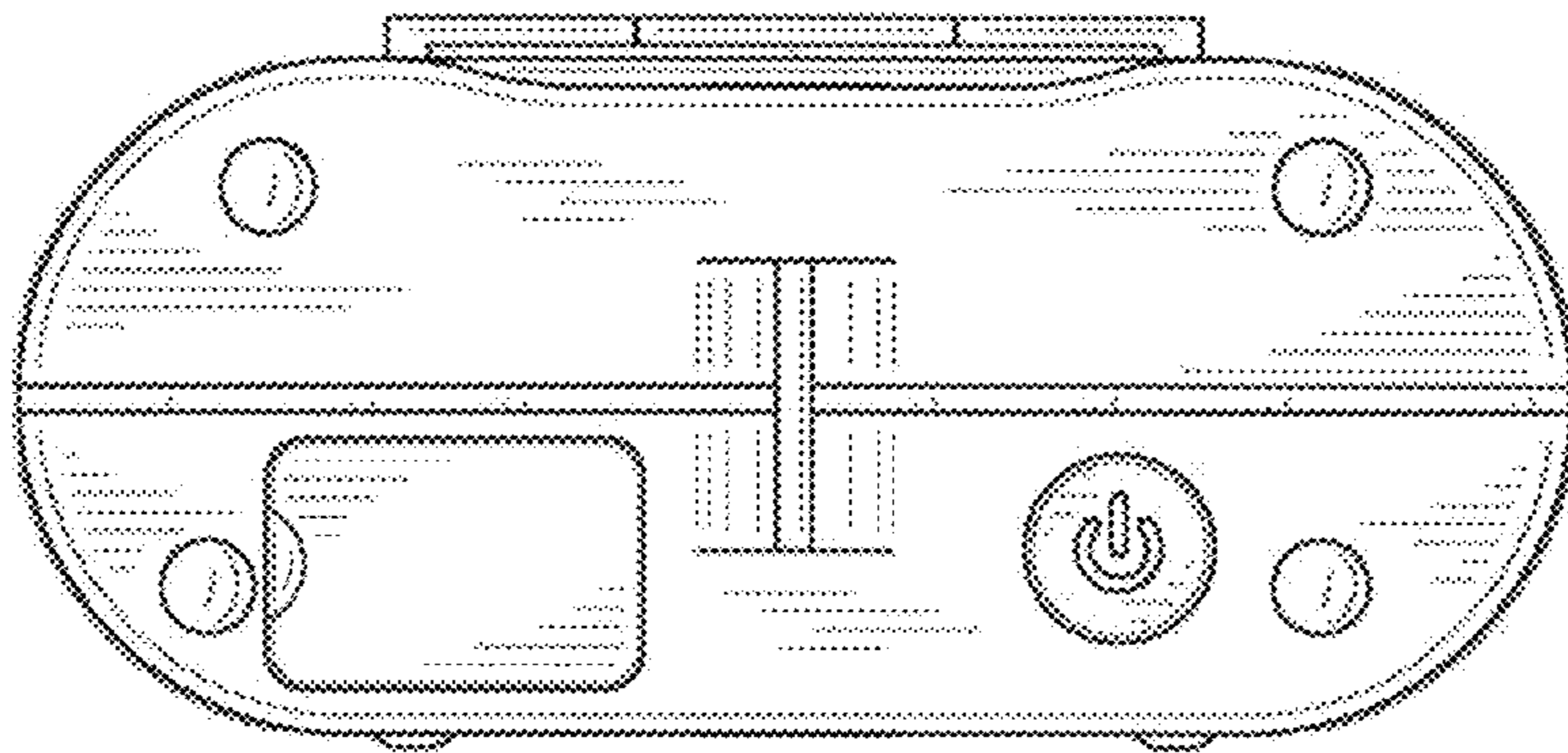


FIG. 5

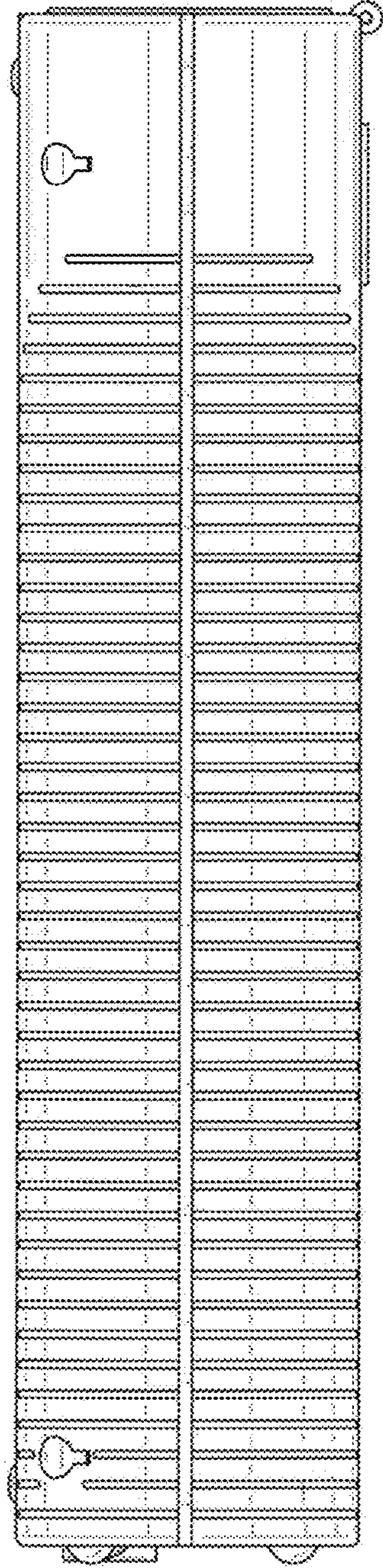


FIG. 6

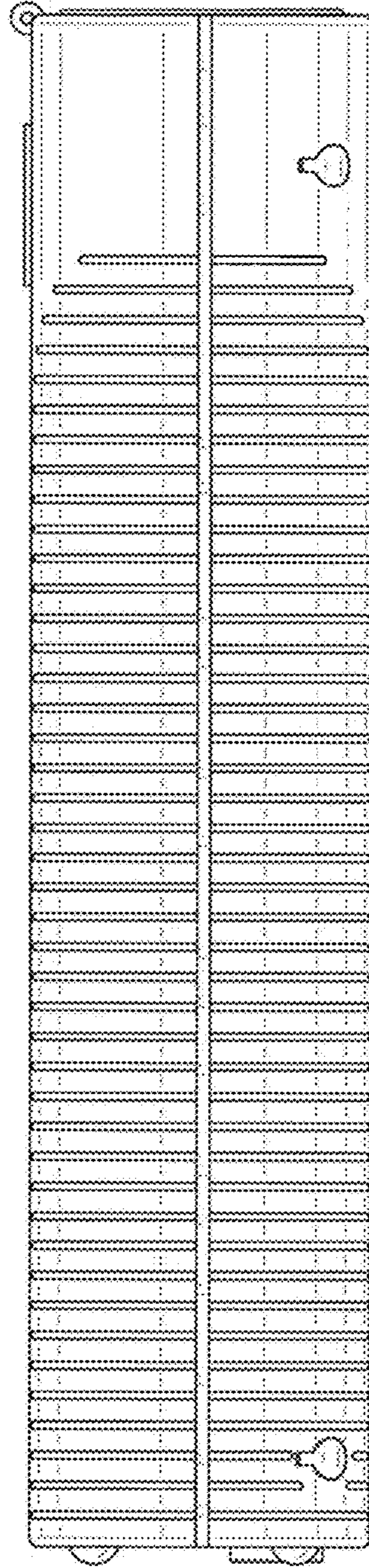


FIG. 7

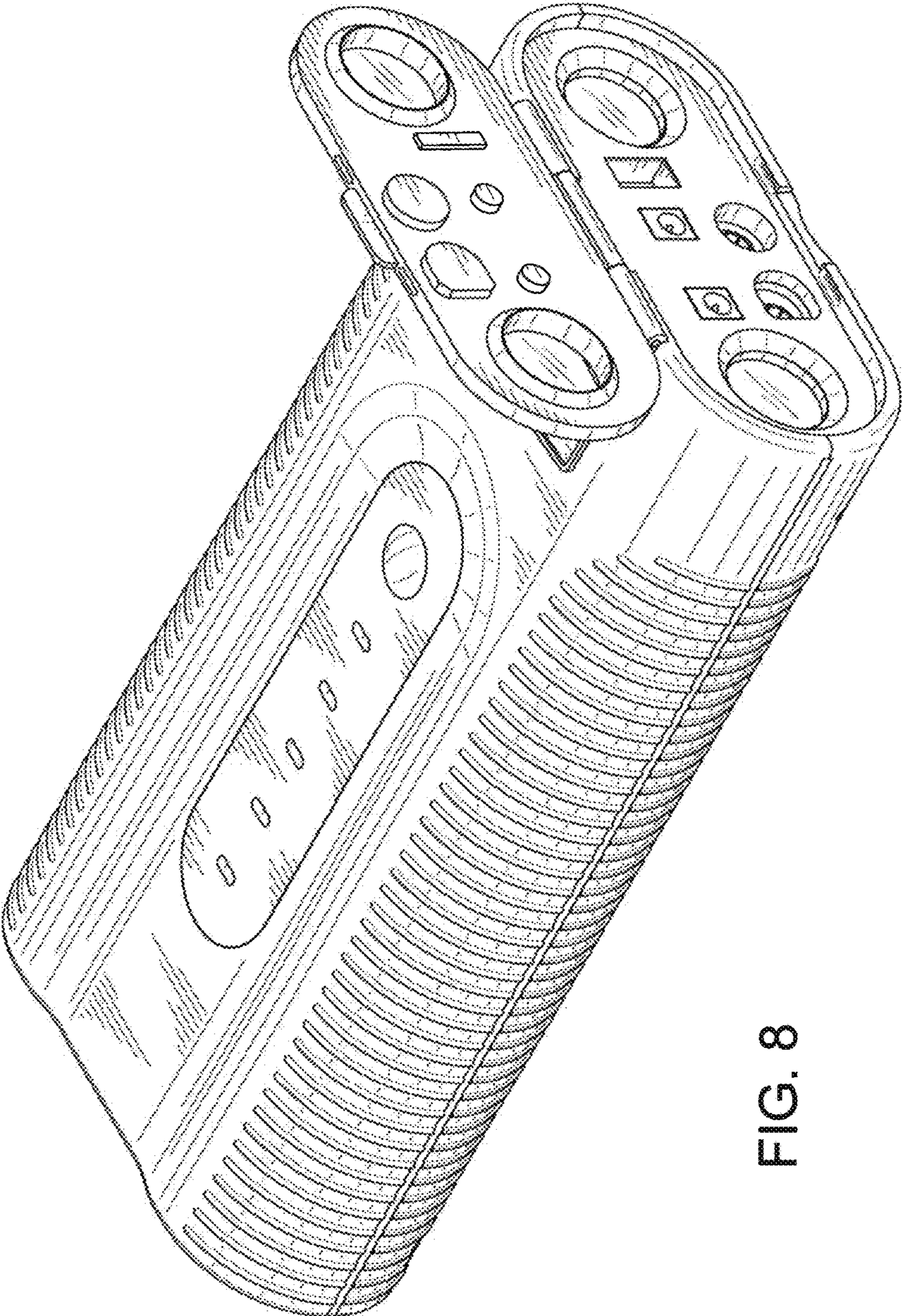


FIG. 8