



US00D823242S

(12) **United States Design Patent**
Jun et al.

(10) **Patent No.:** **US D823,242 S**
(45) **Date of Patent:** **** Jul. 17, 2018**

- (54) **EXTERNAL BATTERY**
- (71) Applicant: **Samsung Electronics Co., Ltd.**,
Suwon-si (KR)
- (72) Inventors: **Young-Joong Jun**, Seoul (KR);
Jaehyung Kim, Gwangju-si (KR);
Giha Woo, Seoul (KR); **Sang Sung Woo**, Seoul (KR)
- (73) Assignee: **Samsung Electronics Co., Ltd.**,
Suwon-si (KR)
- (**) Term: **15 Years**

D659,094 S *	5/2012	Brand	D13/108
D662,050 S *	6/2012	Tien	D13/108
D663,684 S *	7/2012	Yang	D13/108
D663,685 S *	7/2012	Yang	D13/108
D674,748 S *	1/2013	Ferber	D13/108
D721,646 S *	1/2015	Kim	D13/103
D722,952 S *	2/2015	Hu	D13/103
D726,648 S *	4/2015	Zealer	D13/103
D743,883 S *	11/2015	Zhou	D13/108
D760,647 S *	7/2016	Chen	D13/103
D763,187 S *	8/2016	Ryan	D13/103
D765,593 S *	9/2016	Hoshikawa	D13/103
D767,485 S *	9/2016	To	D13/103
D768,069 S *	10/2016	Hoshikawa	D13/103
D791,070 S *	7/2017	Son	D13/103
D795,184 S *	8/2017	Jung	D13/103

(Continued)

(21) Appl. No.: **29/606,699**

(22) Filed: **Jun. 7, 2017**

(30) **Foreign Application Priority Data**

Dec. 23, 2016 (KR) 30-2016-0062840

(51) **LOC (11) Cl.** **13-02**

(52) **U.S. Cl.**
USPC **D13/103**

(58) **Field of Classification Search**
USPC D13/102-106, 118-119, 184, 199
CPC Y02E 60/12; Y02E 60/122; Y02E 60/124;
Y02E 60/50; H01M 2/02; H01M 2/022;
H01M 2/0202; H01M 2/0207; H01M
2/0212; H01M 2/1061; H01M 2/1022;
H01M 2/1055; H01M 2/1066; H01M
2/105; H01M 2/204; H01M 10/4257;
H01M 10/0436; H01M 10/48
See application file for complete search history.

(56) **References Cited**

U.S. PATENT DOCUMENTS

D586,738 S *	2/2009	Zaremba	D13/103
D586,740 S *	2/2009	Song	D13/103
D628,572 S *	12/2010	Wang	D14/356

FOREIGN PATENT DOCUMENTS

CN	2014302964318	1/2015
EM	002688366-0001	6/2015
KR	30-2016-0006205	9/2016

Primary Examiner — Rosemary K Tarcza

(74) *Attorney, Agent, or Firm* — NSIP Law

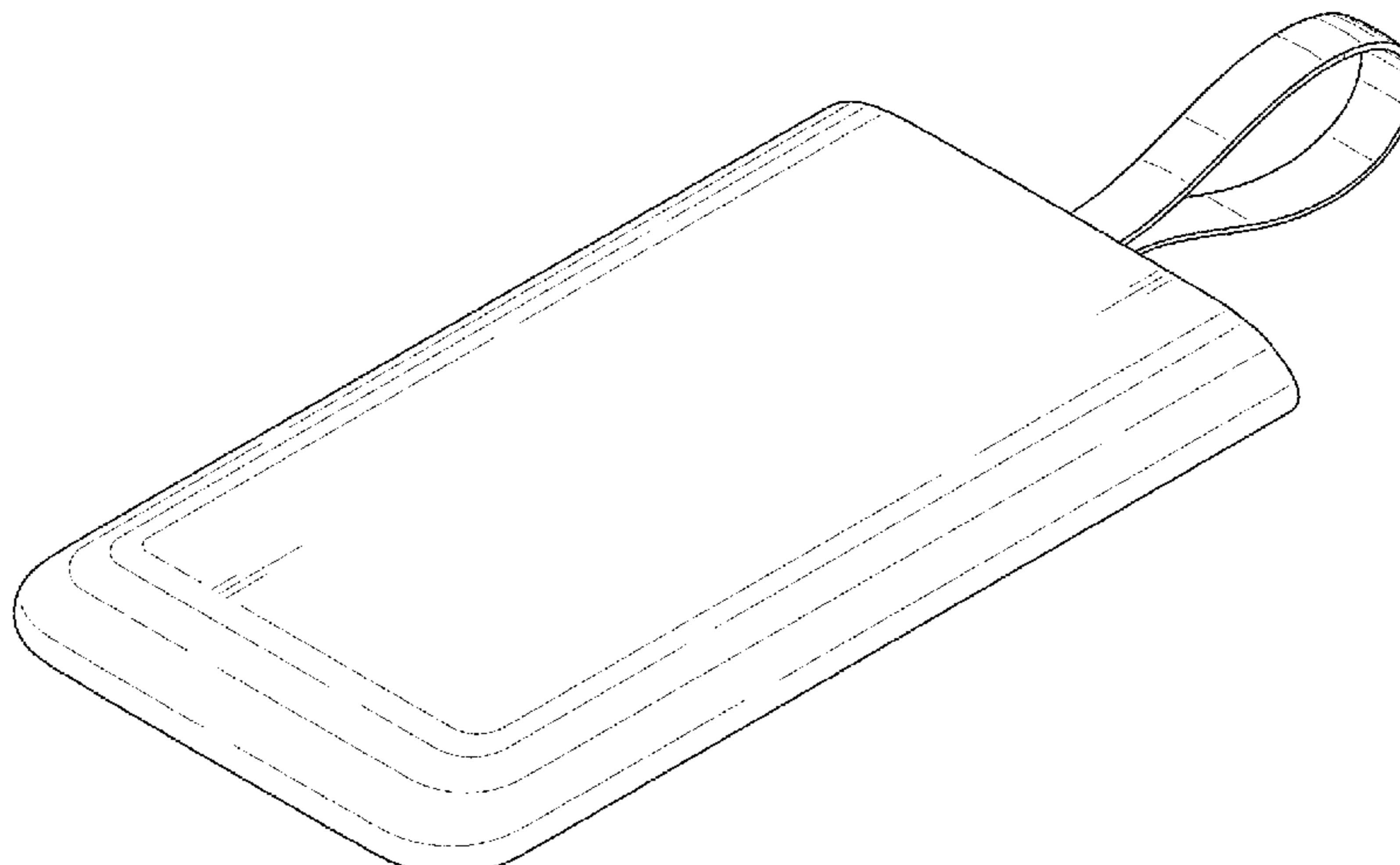
(57) **CLAIM**

We claim the ornamental design for an external battery, as shown and described.

DESCRIPTION

FIG. 1 is a front perspective view of an external battery showing our new design;
FIG. 2 is a front elevational view thereof;
FIG. 3 is a rear elevational view thereof;
FIG. 4 is a left-side elevational view thereof;
FIG. 5 is a right-side elevational view thereof;
FIG. 6 is a top plan view thereof; and,
FIG. 7 is a bottom plan view thereof.
The broken lines in the figures depict environmental subject matter and form no part of the claimed design.

1 Claim, 6 Drawing Sheets



(56)

References Cited

U.S. PATENT DOCUMENTS

D797,659 S *	9/2017	Ugglä	D13/103
D800,651 S *	10/2017	Voller	D13/103
D803,775 S *	11/2017	Park	D13/103
D812,000 S *	3/2018	Li	D13/108
D812,557 S *	3/2018	Rostami	D13/103
2016/0043362 A1 *	2/2016	Seino	B32B 15/08 429/176

* cited by examiner

FIG. 1

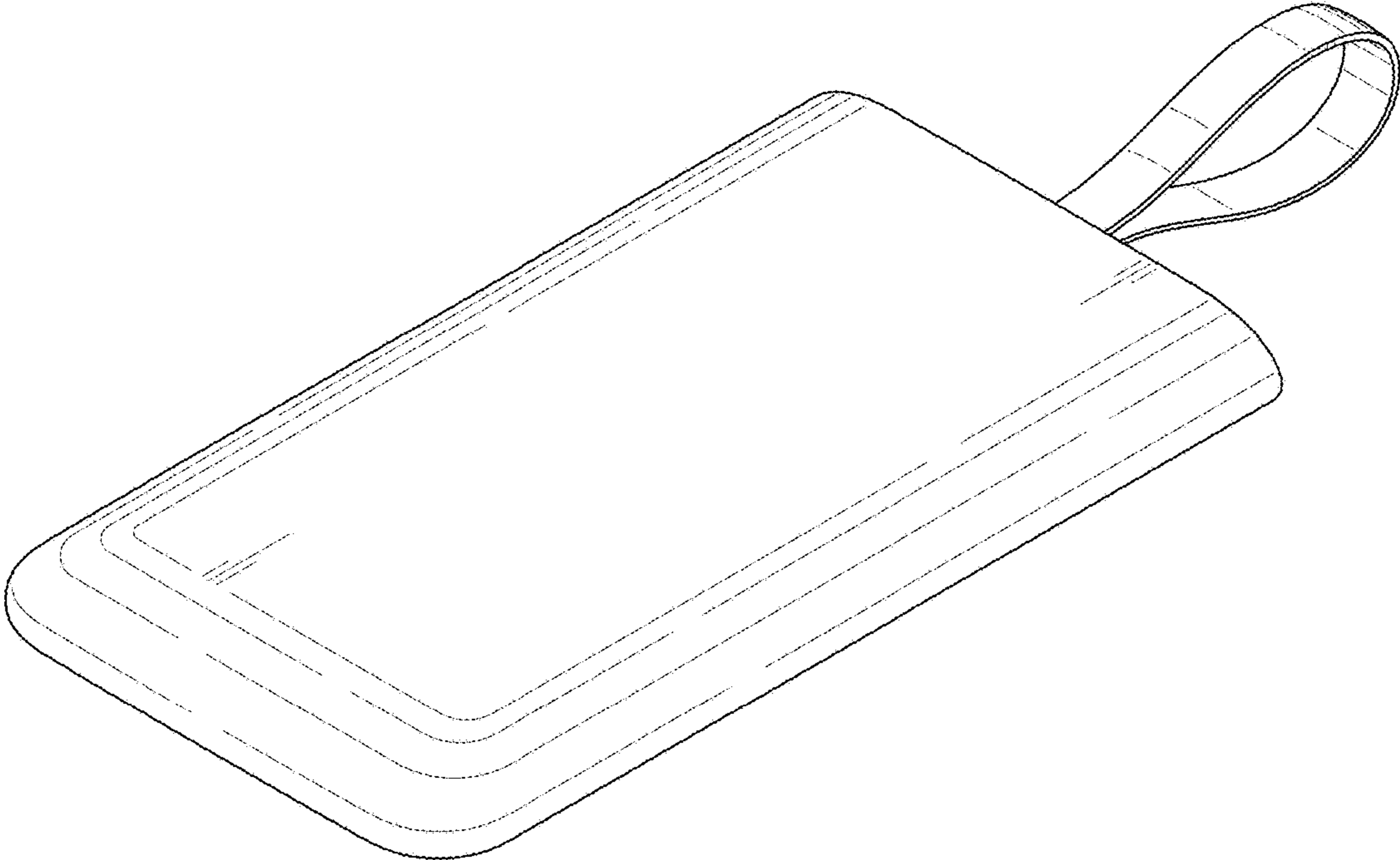


FIG. 2

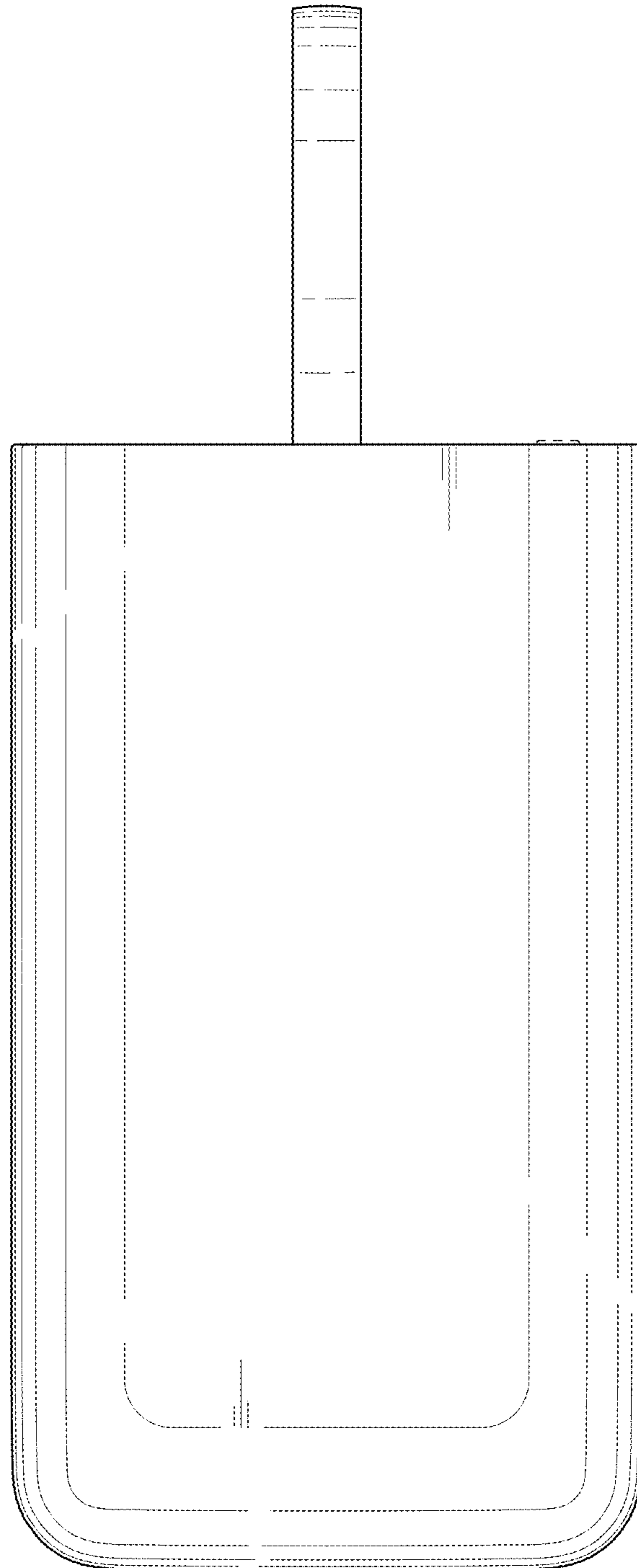


FIG. 3

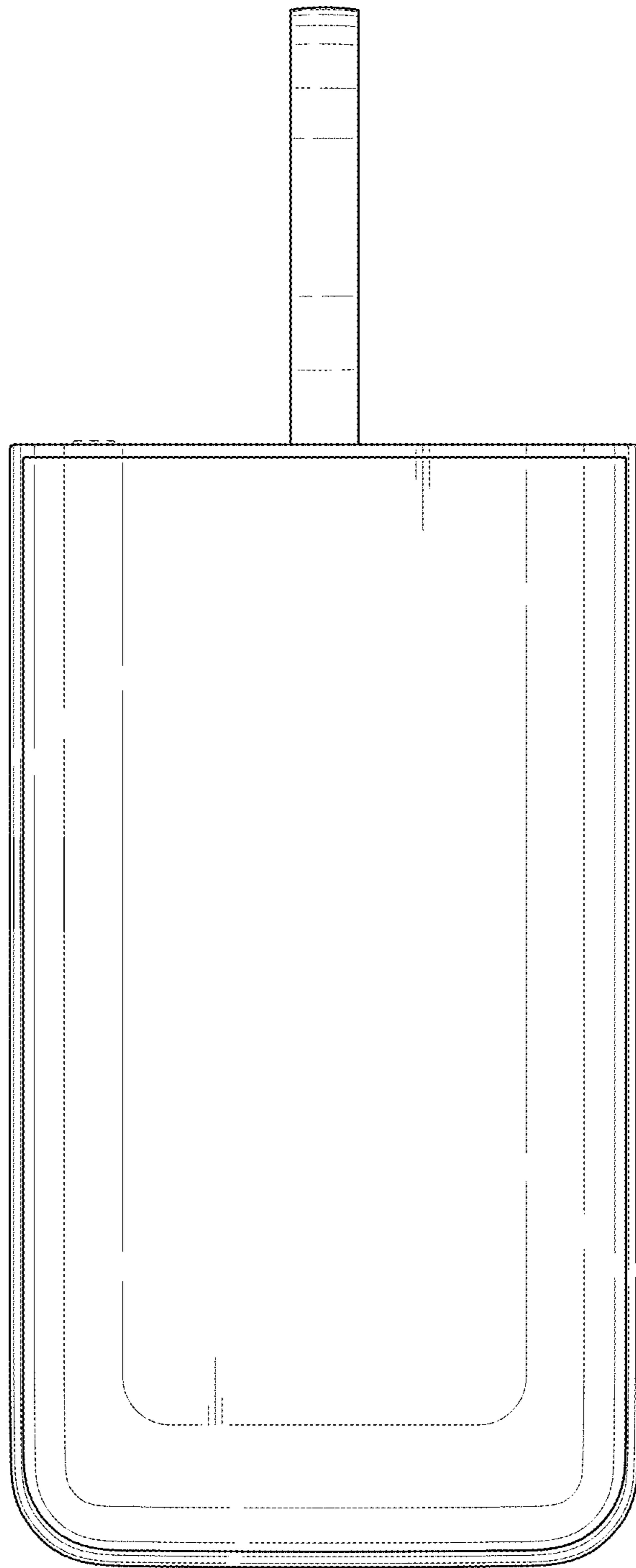


FIG. 4

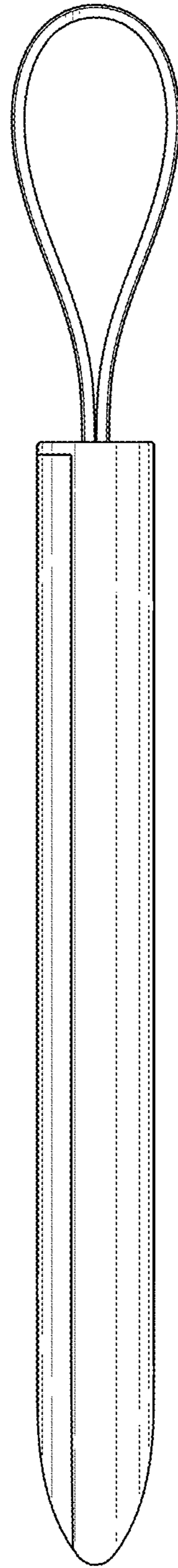


FIG. 5

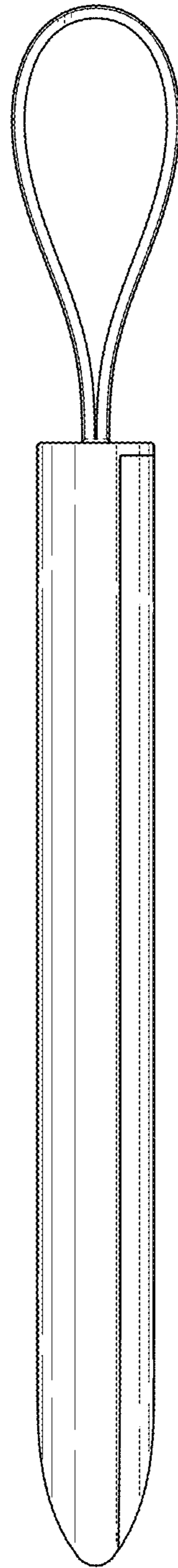


FIG. 6

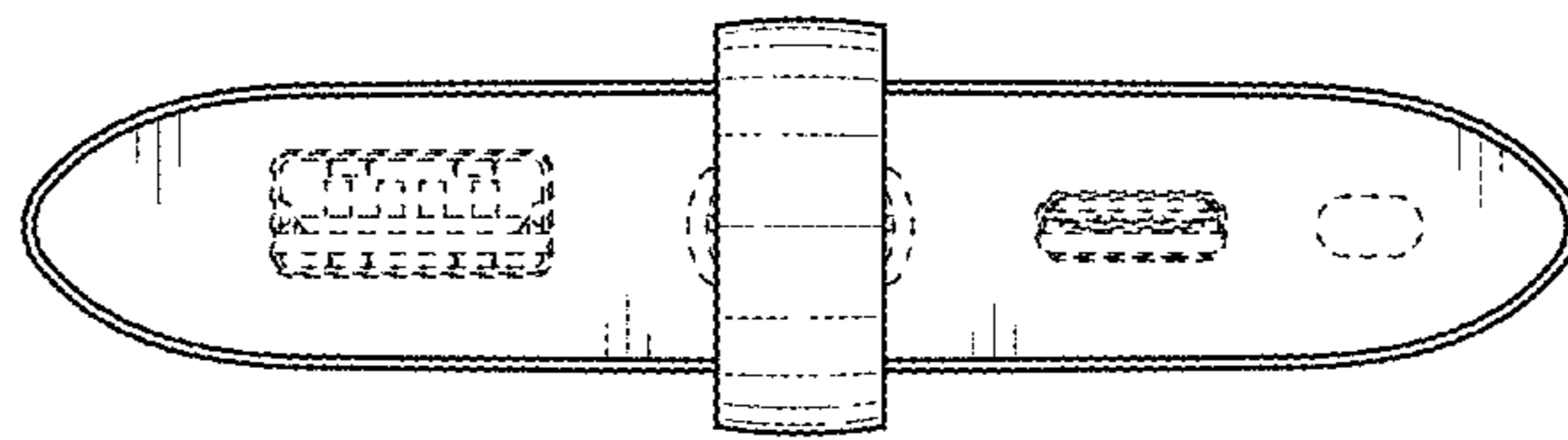


FIG. 7

