



US00D823240S

(12) **United States Design Patent** (10) **Patent No.:** **US D823,240 S**
Zhang et al. (45) **Date of Patent:** **** Jul. 17, 2018**

(54) **BATTERY CHARGER**
(71) Applicant: **Clarius Mobile Health Corp.**, Burnaby (CA)
(72) Inventors: **Binda Zhang**, Burnaby (CA); **Ryan Lee**, Victoria (CA); **Adrian Fisher**, Vancouver (CA)
(73) Assignee: **Clarius Mobile Health Corp.**, Burnaby, British Columbia (CA)
(**) Term: **15 Years**

5,969,939 A * 10/1999 Moss G06F 1/203 361/679.41
D585,367 S 1/2009 Dunbar et al.
D596,168 S * 7/2009 Houdek, II D14/240
D598,024 S * 8/2009 Scott D14/432
D616,890 S * 6/2010 Lewandowski D14/434
D632,648 S 2/2011 Yang
D637,601 S * 5/2011 Symons D14/447
D655,989 S * 3/2012 Nelms D7/409
D657,308 S 4/2012 Fahrendorff et al.
D720,687 S 1/2015 Hasbrook
D741,105 S * 10/2015 Ryan D7/354
D768,610 S * 10/2016 Moon D14/242
D780,848 S * 3/2017 Greenspon D19/92
D802,528 S * 11/2017 Zhang D13/103

* cited by examiner

(21) Appl. No.: **29/583,766**
(22) Filed: **Nov. 8, 2016**
(51) **LOC (11) Cl.** **13-02**
(52) **U.S. Cl.**
USPC **D13/103**
(58) **Field of Classification Search**
USPC D13/102–108, 110, 118–119, 184, 199
CPC Y02E 60/12; Y02E 60/122; Y02E 60/124;
Y02E 60/50; H01M 2/02; H01M 2/022;
H01M 2/0202; H01M 2/0207; H01M
2/0212; H01M 2/1061; H01M 2/1022;
H01M 2/1055; H01M 2/1066; H01M
2/105; H01M 2/204; H01M 10/4257;
H01M 10/0436; H01M 10/48
See application file for complete search history.

Primary Examiner — Robert M. Spear
Assistant Examiner — Alison M Ofstun
(74) *Attorney, Agent, or Firm* — Julian Ho

(57) **CLAIM**

The ornamental design for a battery charger, substantially as shown and described.

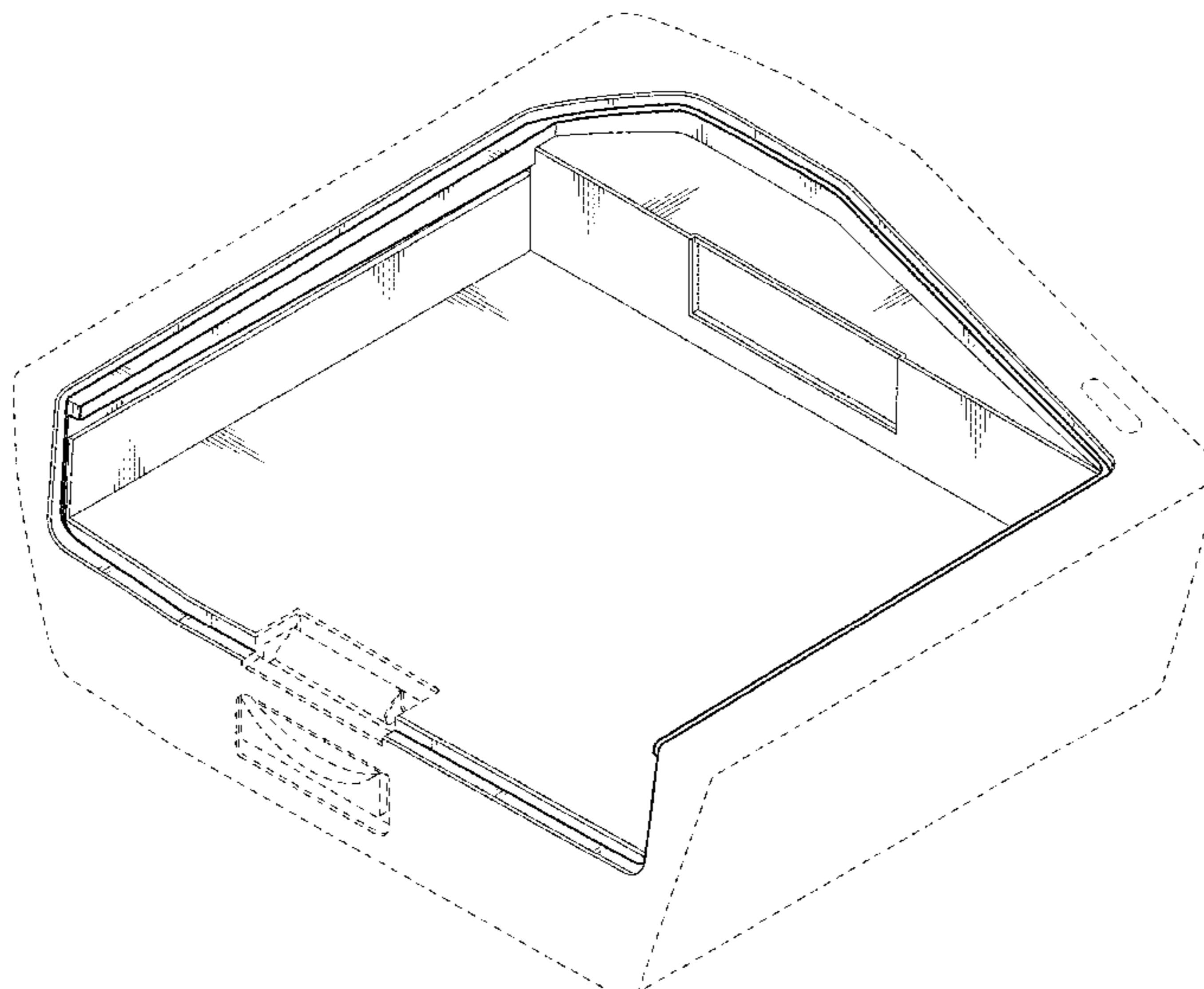
DESCRIPTION

FIG. 1 is a front perspective view of a battery charger showing our new design;
FIG. 2 is a rear perspective view of the battery charger in FIG. 1;
FIG. 3 is a top view thereof;
FIG. 4 is a bottom view thereof;
FIG. 5 is a rear view thereof;
FIG. 6 is a front view thereof;
FIG. 7 is a left side view thereof; and,
FIG. 8 is a right side view thereof.

The design is shown in solid lines in the drawings. Any broken lines in the drawings are directed to environment and are for illustrative purposes only. None of the broken lines form a part of the claimed design.

(56) **References Cited**
U.S. PATENT DOCUMENTS
D310,203 S 8/1990 Takahashi et al.
D322,060 S 12/1991 Iino
5,488,572 A * 1/1996 Belmont G06F 1/1632 360/99.06
5,641,074 A * 6/1997 Smed A47B 87/0261 211/11

1 Claim, 6 Drawing Sheets



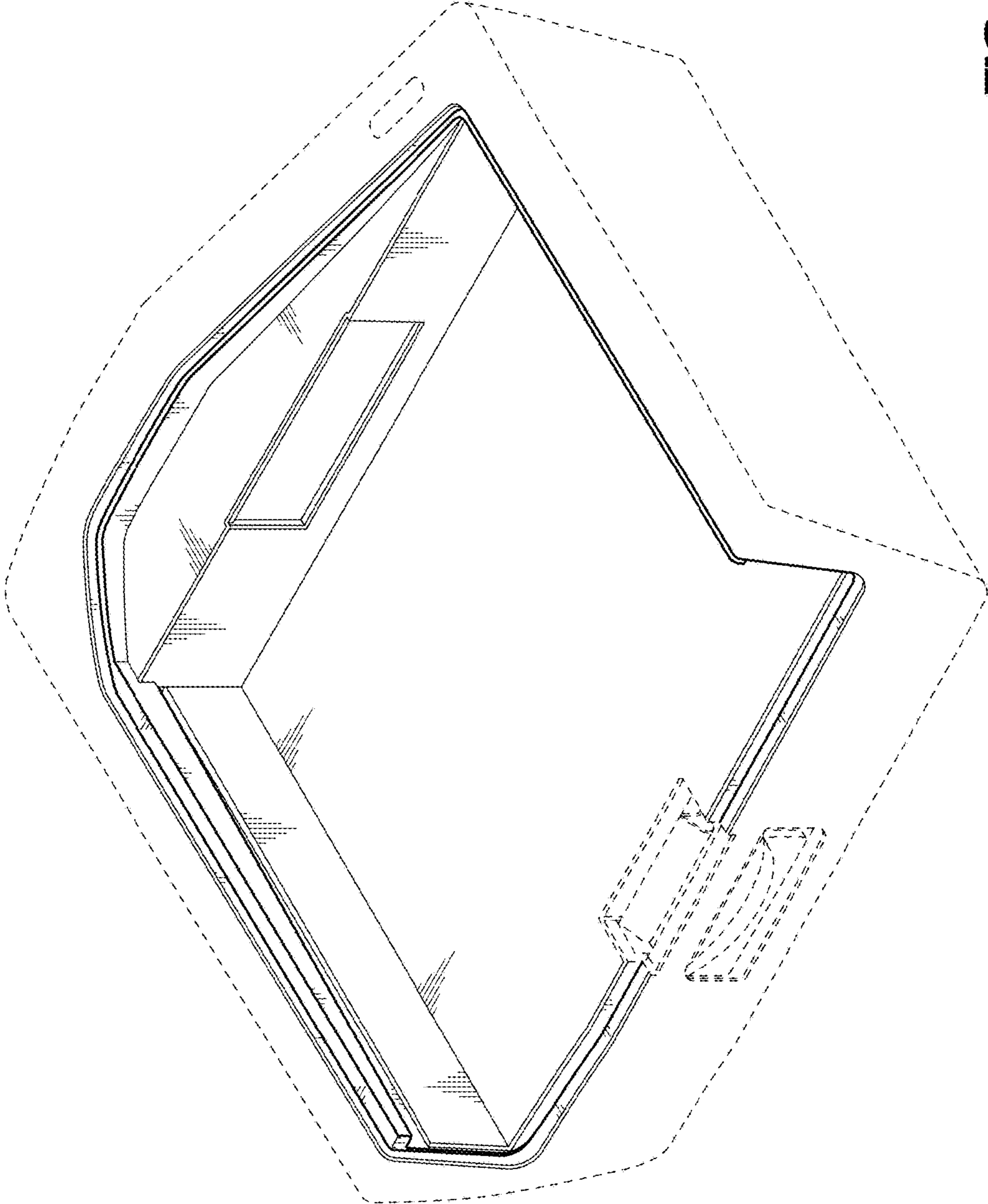


FIG. 1

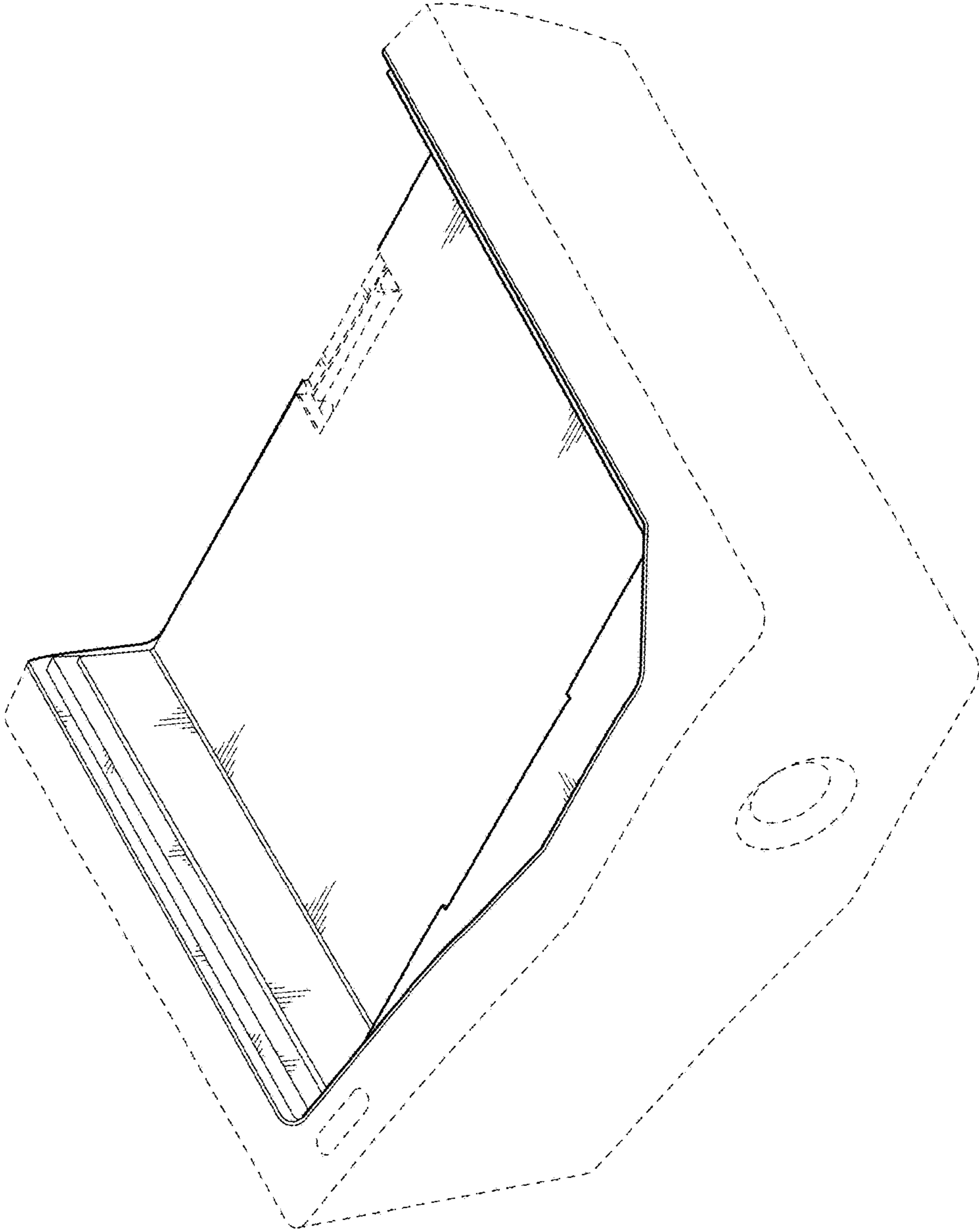


FIG. 2

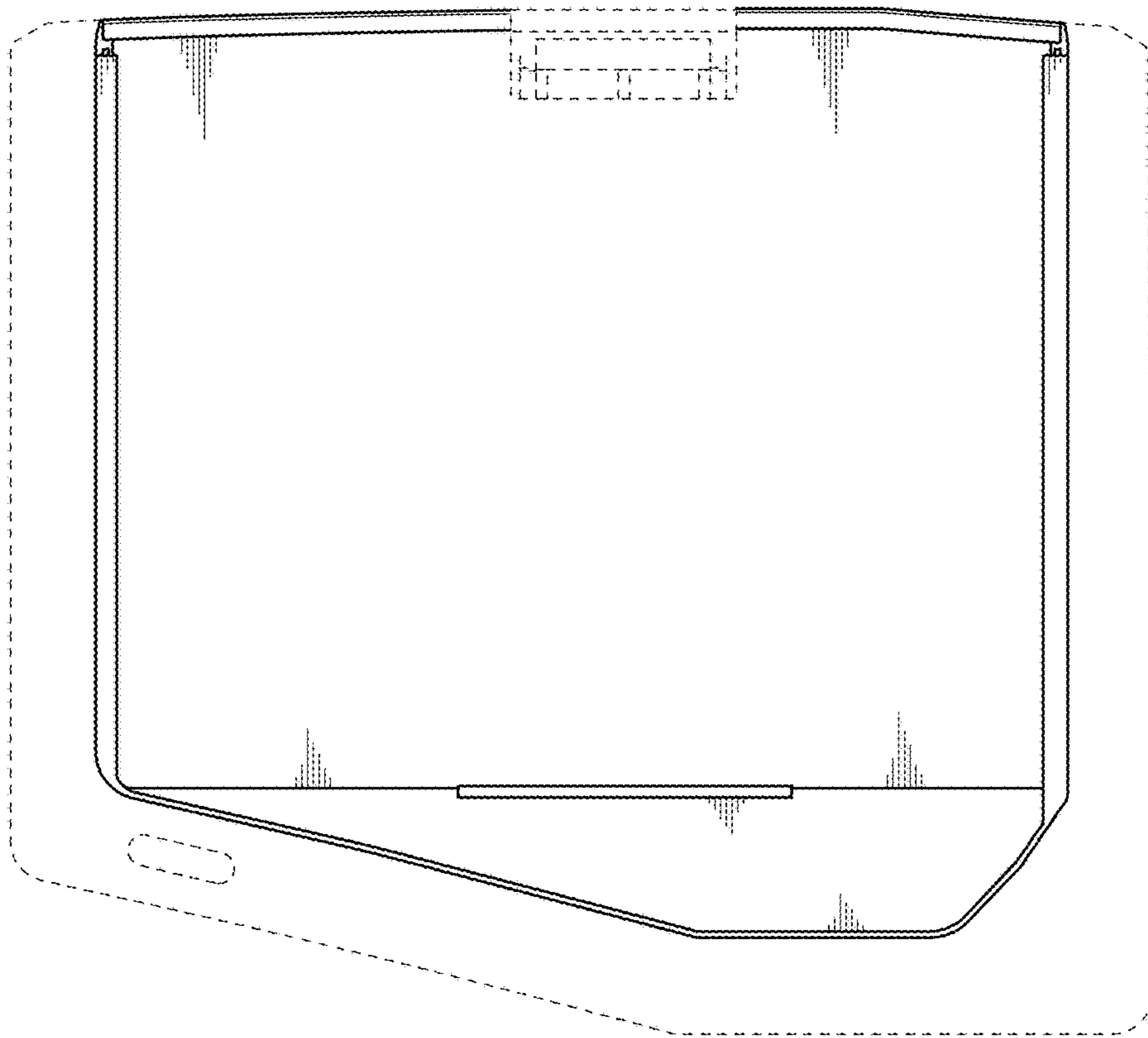


FIG. 3

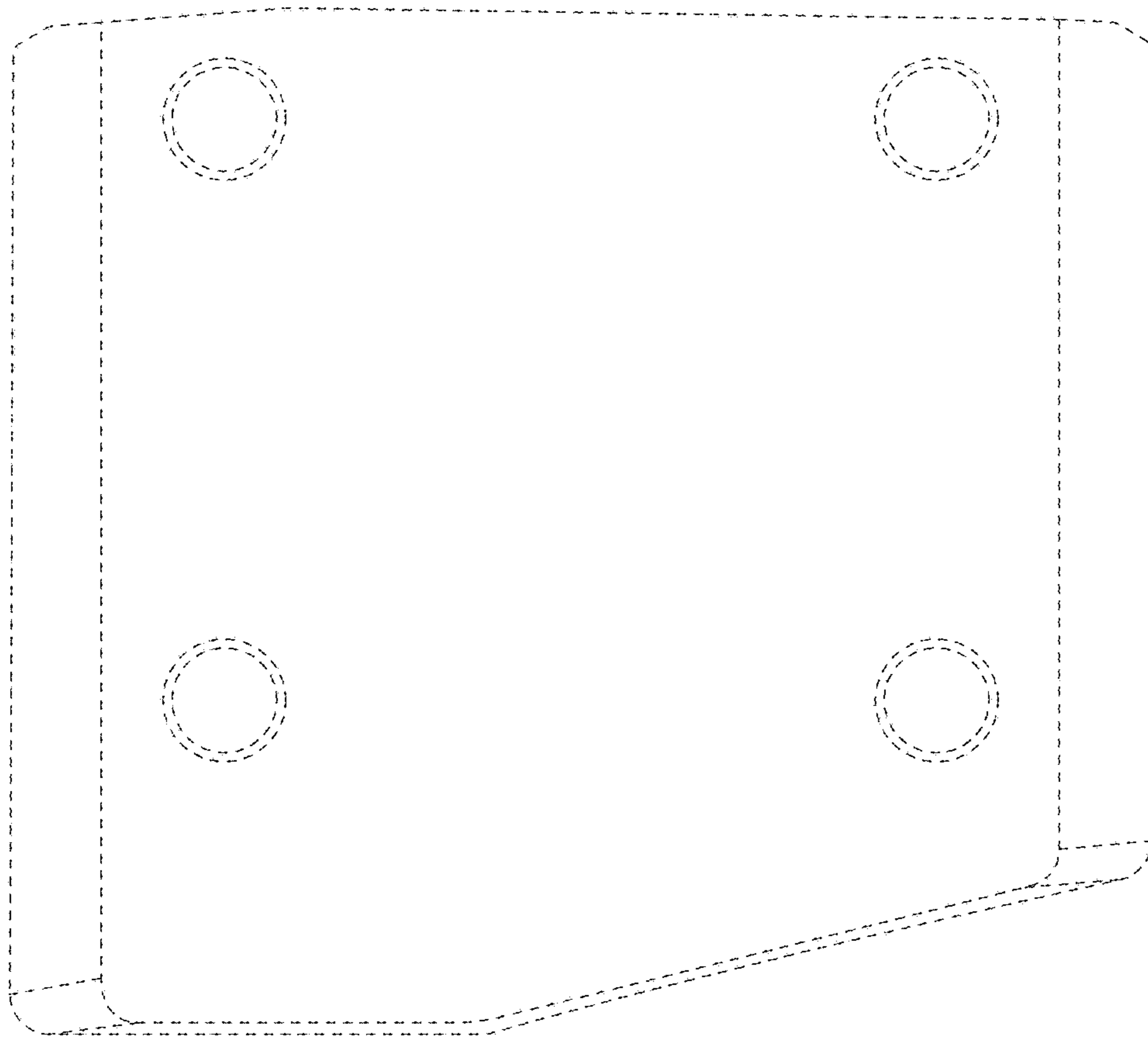


FIG. 4

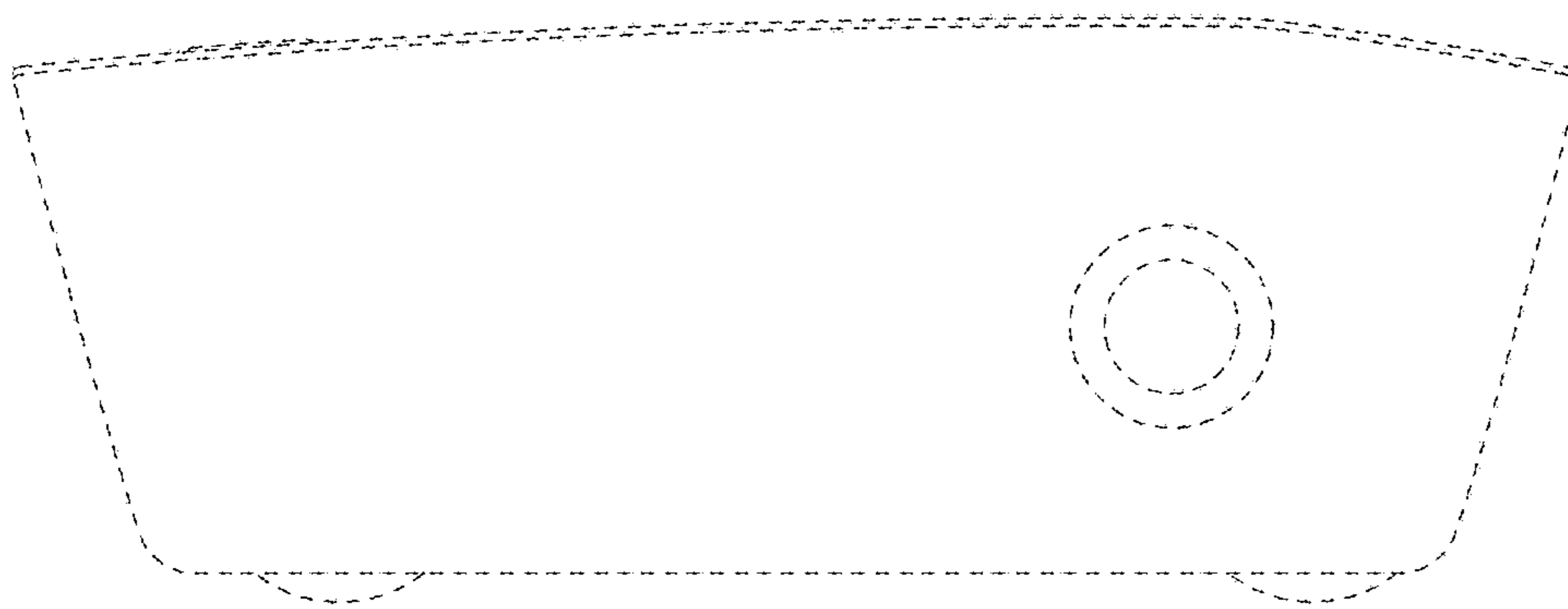


FIG. 5

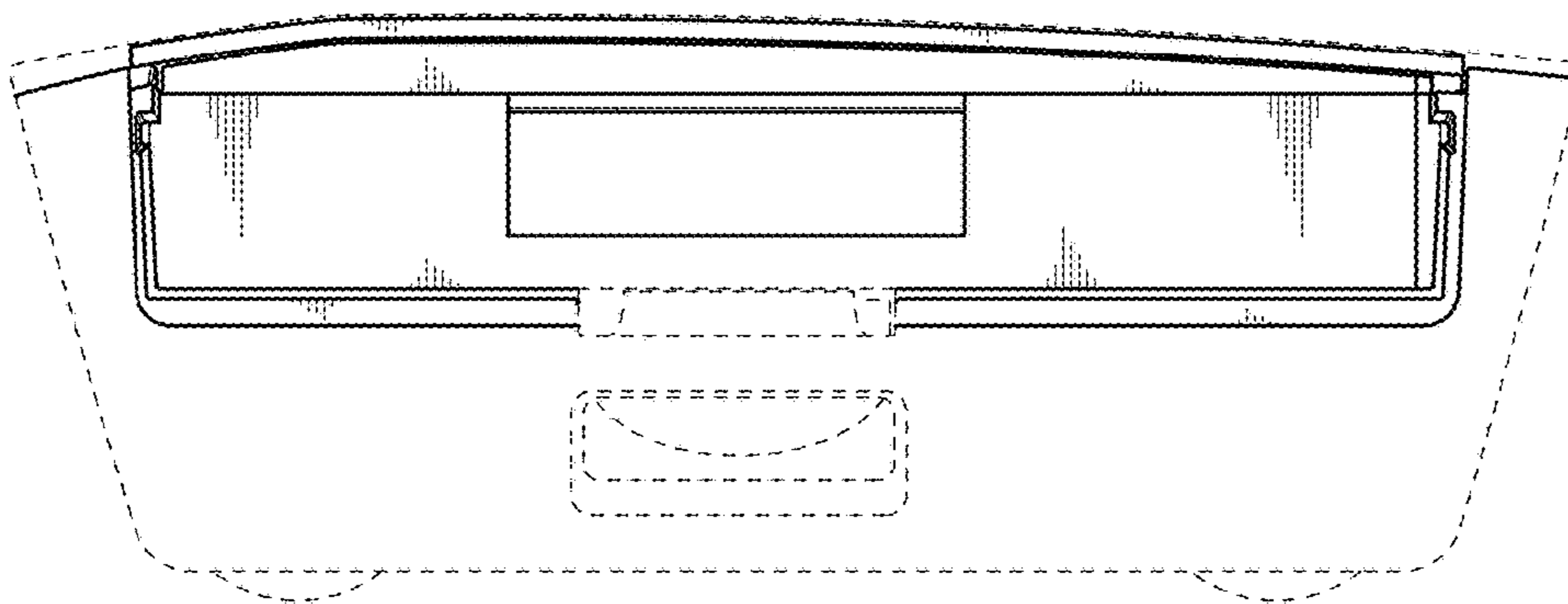


FIG. 6

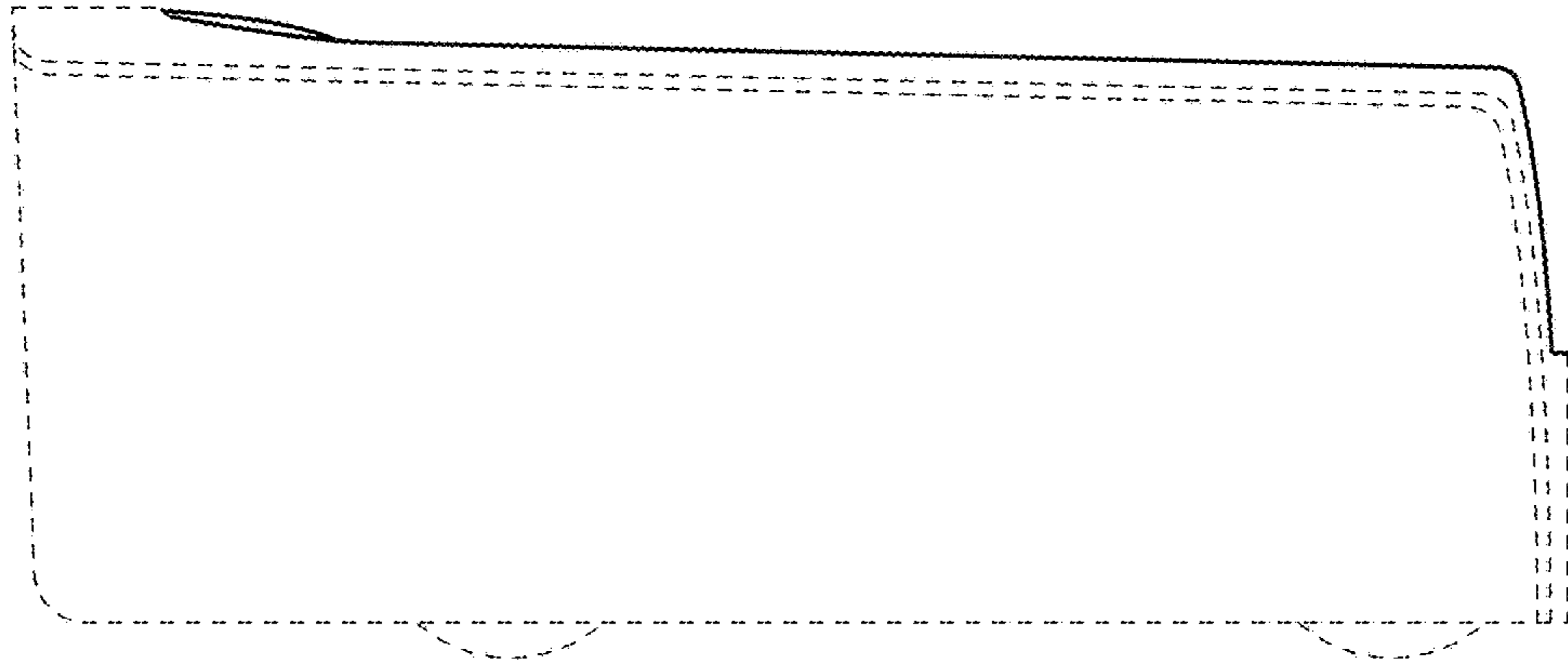


FIG. 7

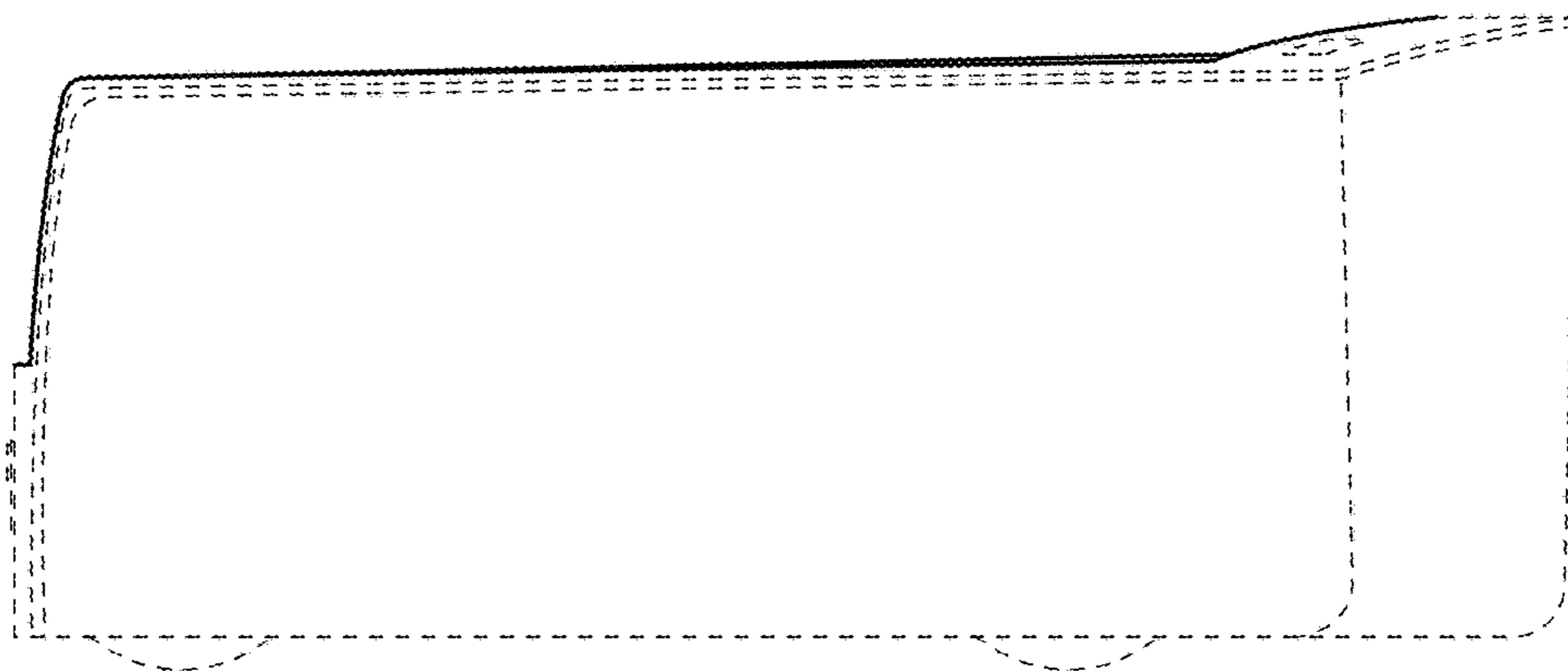


FIG. 8