



US00D823239S

(12) **United States Design Patent**  
**Gupta et al.**

(10) **Patent No.:** **US D823,239 S**  
(45) **Date of Patent:** **\*\* Jul. 17, 2018**

(54) **COMBINATION BATTERY, CHARGER AND CABLES FOR ELECTRONIC EQUIPMENT**

(71) Applicants: **Sumeet Kumar Gupta**, Santa Monica, CA (US); **Joseph Bryant Carrillo**, Los Angeles, CA (US)

(72) Inventors: **Sumeet Kumar Gupta**, Santa Monica, CA (US); **Joseph Bryant Carrillo**, Los Angeles, CA (US)

(\*\*) Term: **15 Years**

(21) Appl. No.: **29/576,717**

(22) Filed: **Sep. 6, 2016**

**Related U.S. Application Data**

(63) Continuation-in-part of application No. 29/544,013, filed on Oct. 29, 2015, now Pat. No. Des. 783,525.

(51) **LOC (11) Cl.** ..... **D13-02**

(52) **U.S. Cl.**  
USPC ..... **D13/103; D13/108**

(58) **Field of Classification Search**  
USPC ..... D13/107-110, 118-119, 184, 199, D13/102-106

(Continued)

(56) **References Cited**

**U.S. PATENT DOCUMENTS**

D656,096 S \* 3/2012 Sasada ..... D13/108  
D659,094 S \* 5/2012 Brand ..... D13/108

(Continued)

*Primary Examiner* — Rosemary K Tarca

(74) *Attorney, Agent, or Firm* — Quickpatents, LLC; Kevin Prince

(57) **CLAIM**

We claim the ornamental design for a combination battery, charger and cables for electronic equipment, as shown and described.

**DESCRIPTION**

FIG. 1 is a front perspective view of a combination battery, charger and cables for electronic equipment, showing a first embodiment of our new design in a collapsed configuration; FIG. 2 is a rear perspective view of FIG. 1; FIG. 3 is a bottom plan view of FIG. 1; FIG. 4 is a top plan view of FIG. 1; FIG. 5 is a left-side elevational view of FIG. 1; FIG. 6 is a right-side elevational view of FIG. 1; FIG. 7 is a front elevational view of FIG. 1; FIG. 8 is a rear elevational view of FIG. 1; FIG. 9 is a front perspective view of the first embodiment in an extended configuration; FIG. 10 is a rear perspective view of FIG. 9; FIG. 11 is a bottom plan view of FIG. 9; FIG. 12 is a top plan view of FIG. 9; FIG. 13 is a left-side elevational view of FIG. 9; FIG. 14 is a right-side elevational view of FIG. 9; FIG. 15 is a front elevational view of FIG. 9; FIG. 16 is a rear elevational view of FIG. 9; FIG. 17 is a front perspective view of a second embodiment in the collapsed configuration; FIG. 18 is a rear perspective view of FIG. 17; FIG. 19 is a bottom plan view of FIG. 17; FIG. 20 is a top plan view of FIG. 17; FIG. 21 is a left-side elevational view of FIG. 17; FIG. 22 is a right-side elevational view of FIG. 17; FIG. 23 is a front elevational view of FIG. 17; FIG. 24 is a rear elevational view of FIG. 17; FIG. 25 is a front perspective view of the second embodiment in the extended configuration; FIG. 26 is a rear perspective view of FIG. 25; FIG. 27 is a bottom plan view of FIG. 25; FIG. 28 is a top plan view of FIG. 25; FIG. 29 is a left-side elevational view of FIG. 25; FIG. 30 is a right-side elevational view of FIG. 25; FIG. 31 is a front elevational view of FIG. 25; FIG. 32 is a rear elevational view of FIG. 25; FIG. 33 is a front perspective view of a third embodiment in the collapsed configuration; FIG. 34 is a rear perspective view of FIG. 33; FIG. 35 is a bottom plan view of FIG. 33; FIG. 36 is a top plan view of FIG. 33;

(Continued)

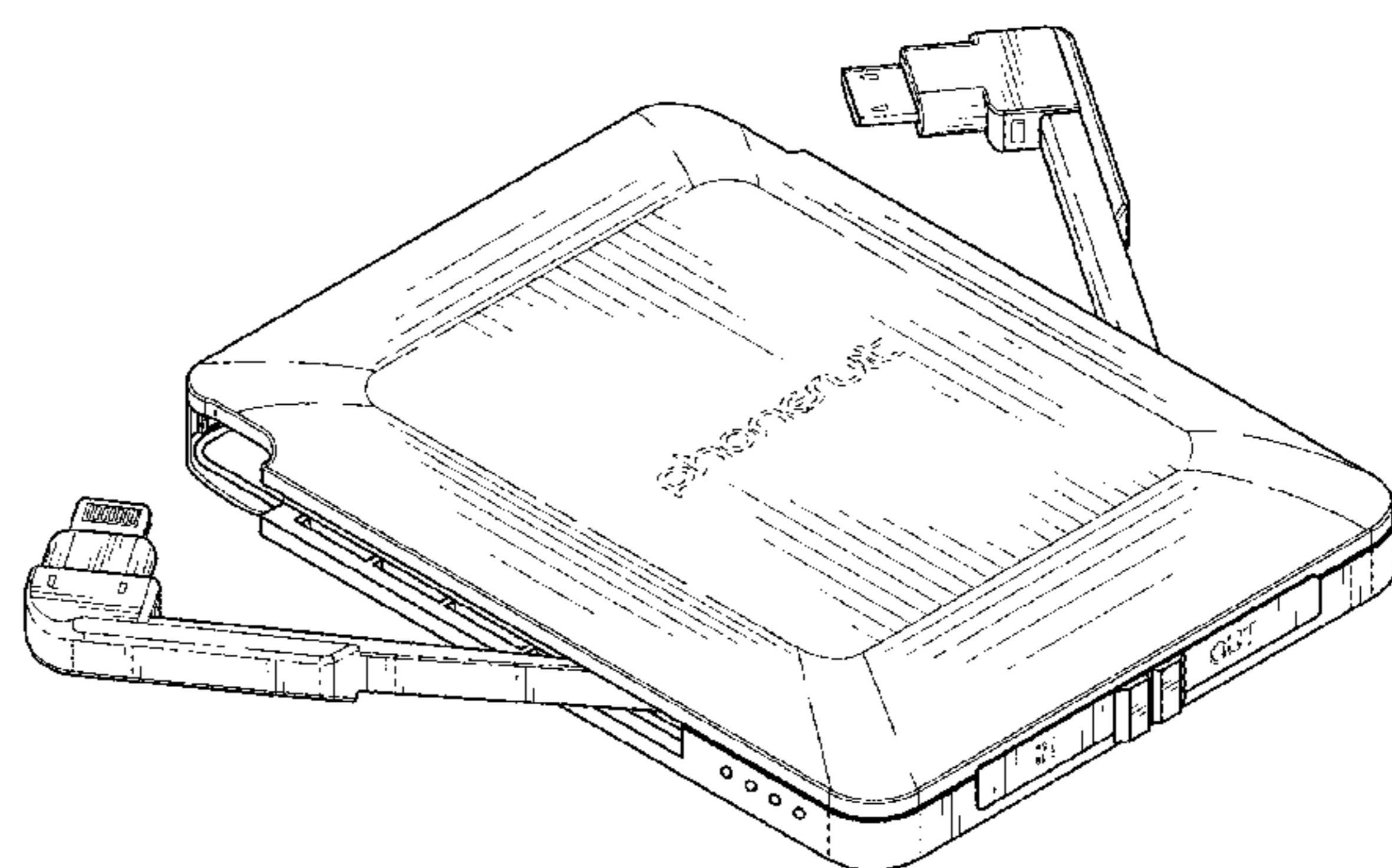
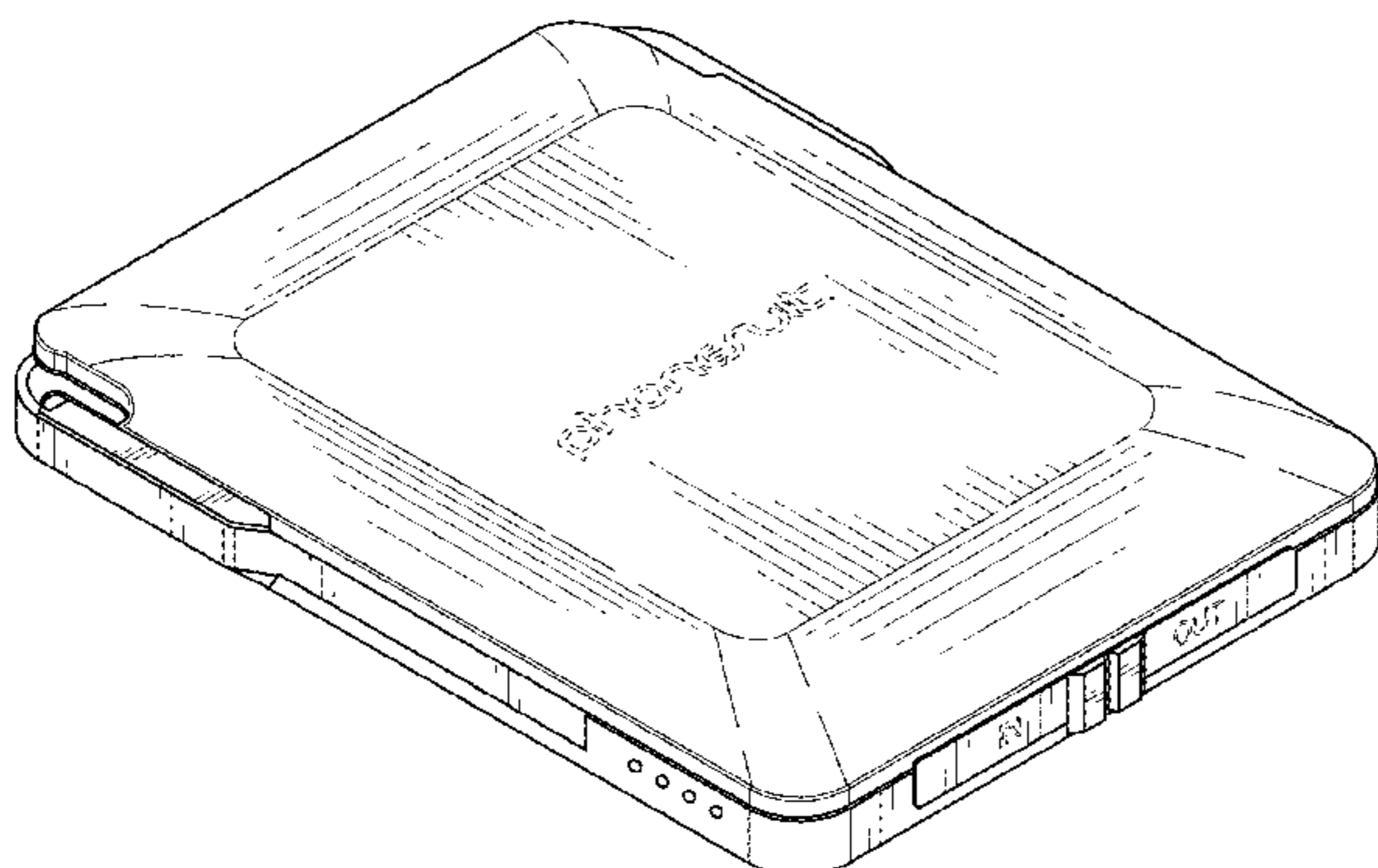


FIG. 37 is a left-side elevational view of FIG. 33;  
 FIG. 38 is a right-side elevational view of FIG. 33;  
 FIG. 39 is a front elevational view of FIG. 33;  
 FIG. 40 is a rear elevational view of FIG. 33;  
 FIG. 41 is a front perspective view of the third embodiment  
 in the extended configuration;  
 FIG. 42 is a rear perspective view of FIG. 41;  
 FIG. 43 is a bottom plan view of FIG. 41;  
 FIG. 44 is a top plan view of FIG. 41;  
 FIG. 45 is a left-side elevational view of FIG. 41;  
 FIG. 46 is a right-side elevational view of FIG. 41;  
 FIG. 47 is a front elevational view of FIG. 41; and,  
 FIG. 48 is a rear elevational view of FIG. 41.  
 The broken lines showing a text and indicia in the figures  
 represent portions that form no part of the claimed design.

**1 Claim, 26 Drawing Sheets**

(58) **Field of Classification Search**

CPC ..... Y02E 60/12; Y02E 60/122; Y02E 60/124;  
 Y02E 60/50; Y02T 90/14; Y02T 90/122;  
 Y02T 90/128; Y02T 90/163; H02J 7/025;  
 H02J 7/0042; H02J 7/0044; H02J 7/0045;  
 H02J 7/0003; H01F 38/14; H01R  
 13/6675; H01M 2/1022; H01M 2/1055;  
 H01M 10/44; H01M 10/46; H01M  
 10/425; H01M 2/02; H01M 2/022; H01M  
 2/0202; H01M 2/0207; H01M 2/0212;  
 H01M 2/1061; H01M 2/1066; H01M  
 2/105; H01M 2/204; H01M 10/4257;  
 H01M 10/0436; H01M 10/48; B60L  
 11/182

See application file for complete search history.

(56)

**References Cited**

U.S. PATENT DOCUMENTS

D667,788	S *	9/2012	Mai .....	D13/110
D680,063	S *	4/2013	Sasada .....	D13/103
D682,196	S *	5/2013	Leung .....	D13/103
D682,197	S *	5/2013	Leung .....	D13/103
D686,153	S *	7/2013	Qu .....	D13/103
D697,867	S *	1/2014	Weinstein .....	D13/108
D722,961	S *	2/2015	Lin .....	D13/103
D723,459	S *	3/2015	Dang .....	D13/108
D727,257	S *	4/2015	Miller .....	D13/103
D727,258	S *	4/2015	Miller .....	D13/103
D727,843	S *	4/2015	Miller .....	D13/103
D727,844	S *	4/2015	Miller .....	D13/103
D727,845	S *	4/2015	Miller .....	D13/103
D742,311	S *	11/2015	Miller .....	D13/103
D742,312	S *	11/2015	Gupta .....	D13/103
D742,823	S *	11/2015	Nitz .....	D13/103
D745,456	S *	12/2015	Fung .....	D13/108
D762,570	S *	8/2016	Precheur .....	D13/108
D764,404	S *	8/2016	Lau .....	D13/103
D783,525	S *	4/2017	Gupta .....	D13/108
D791,076	S *	7/2017	Kim .....	D13/108
D797,663	S *	9/2017	Miller .....	D13/107
2013/0193911	A1 *	8/2013	Miller .....	H02J 7/0042 320/107
2014/0042969	A1 *	2/2014	Miller .....	H02J 7/0027 320/111
2015/0028797	A1 *	1/2015	Miller .....	H02J 7/0042 320/103
2015/0123620	A1 *	5/2015	Nowak .....	H02J 7/0036 320/137
2015/0256008	A1 *	9/2015	Miller .....	H02J 7/0042 320/107
2016/0013673	A1 *	1/2016	Workman .....	H01R 13/5202 320/114
2016/0049818	A1 *	2/2016	Yao .....	G06K 19/06037 320/103
2017/0093190	A1 *	3/2017	Miller .....	H02J 7/0054
2017/0133870	A1 *	5/2017	Miller .....	H02J 7/0044

\* cited by examiner

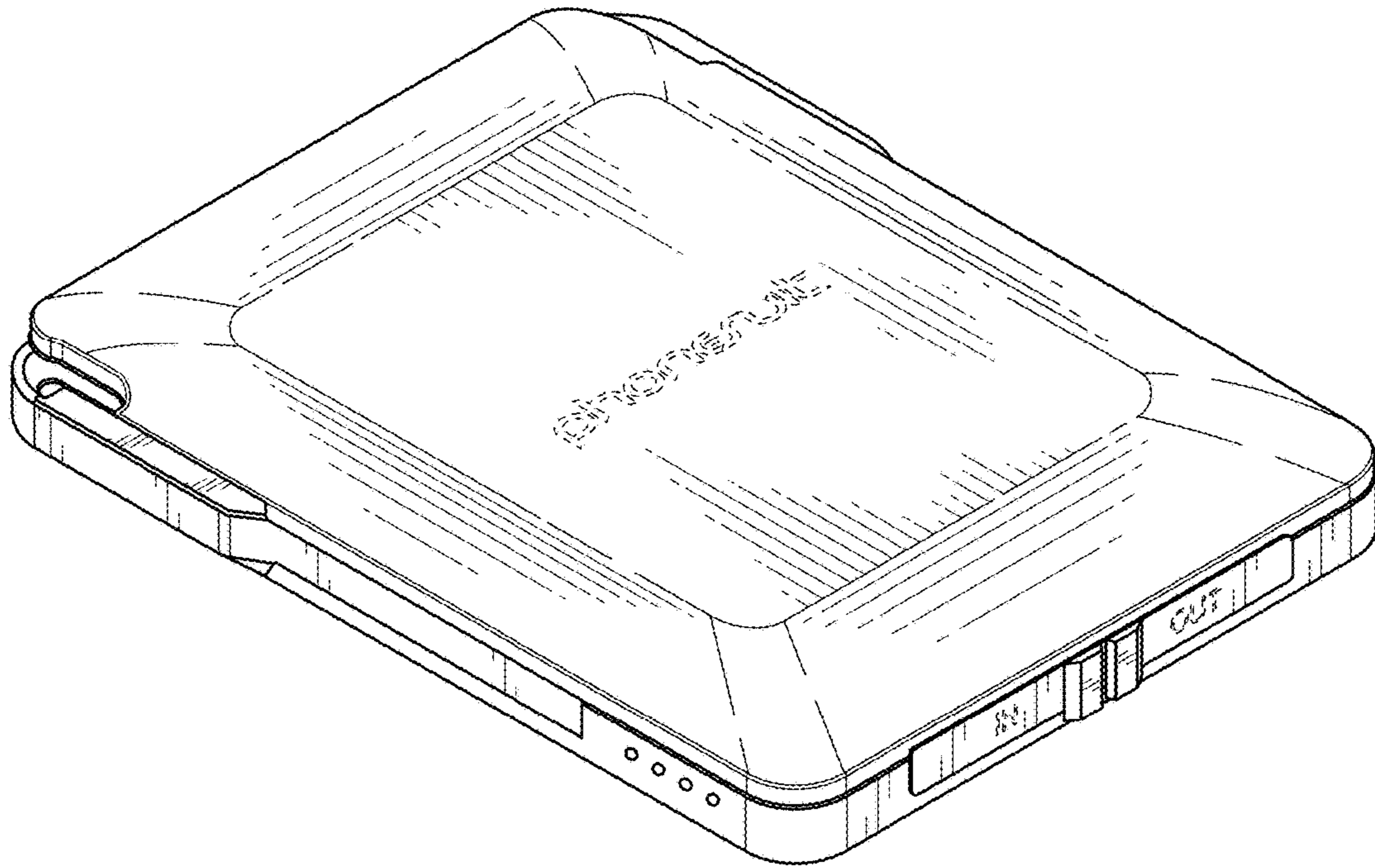


FIG. 1

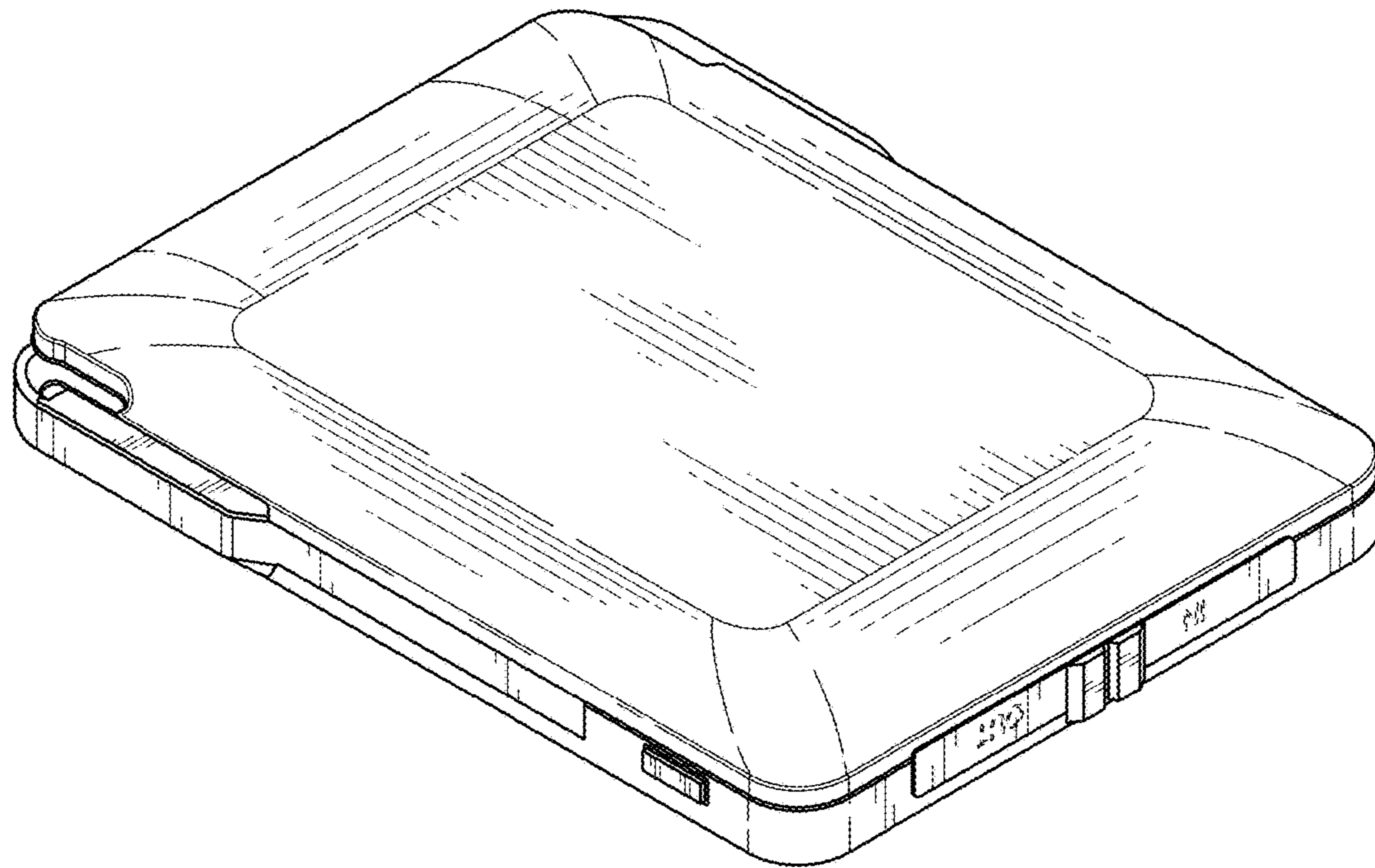


FIG. 2

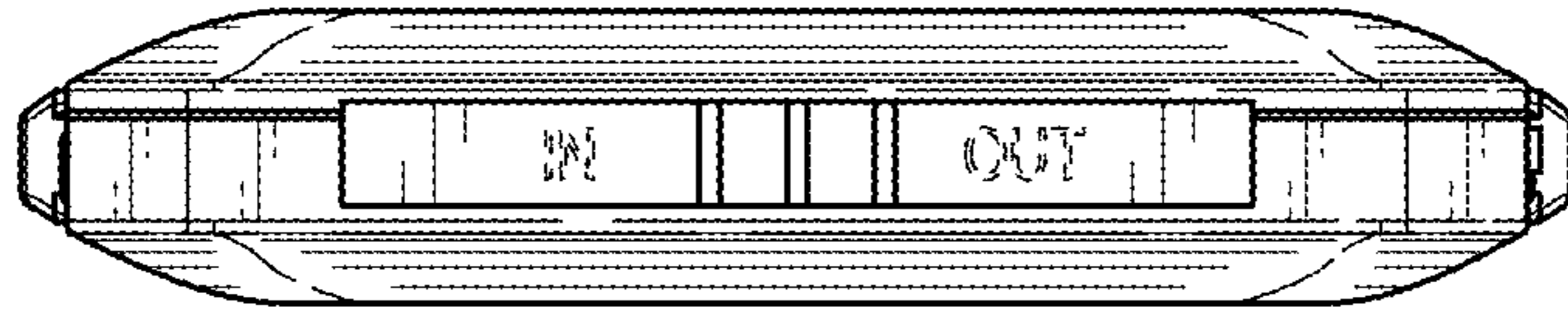


FIG. 3

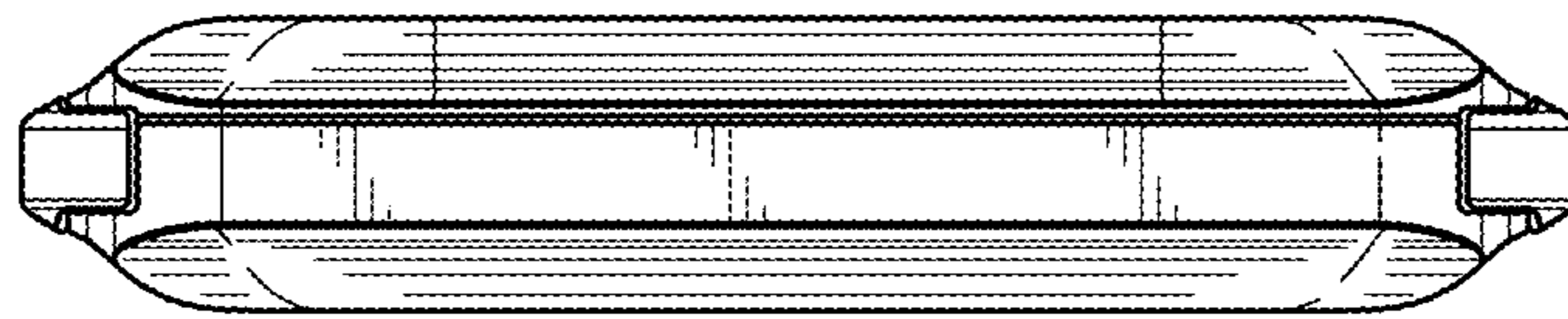


FIG. 4

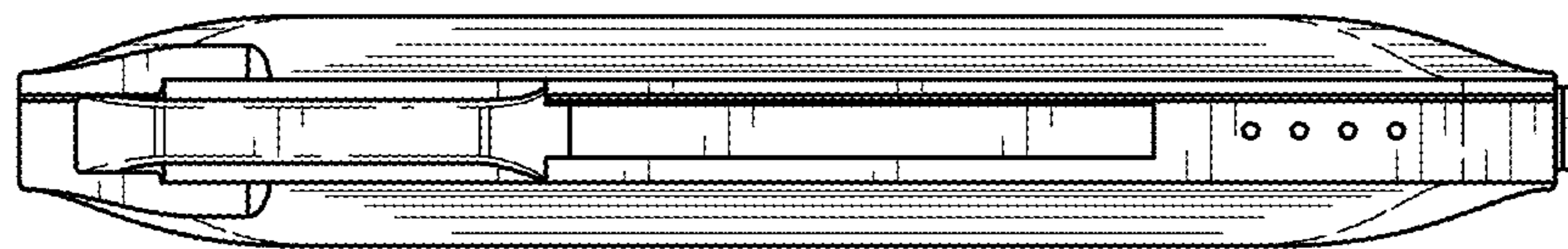


FIG. 5

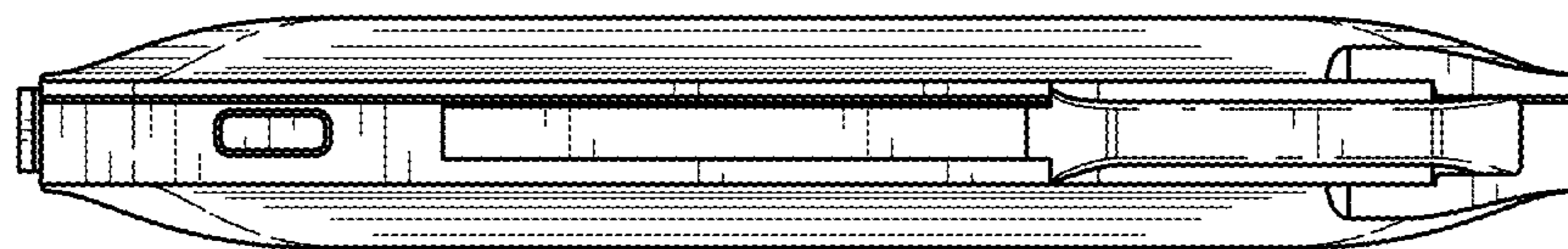


FIG. 6

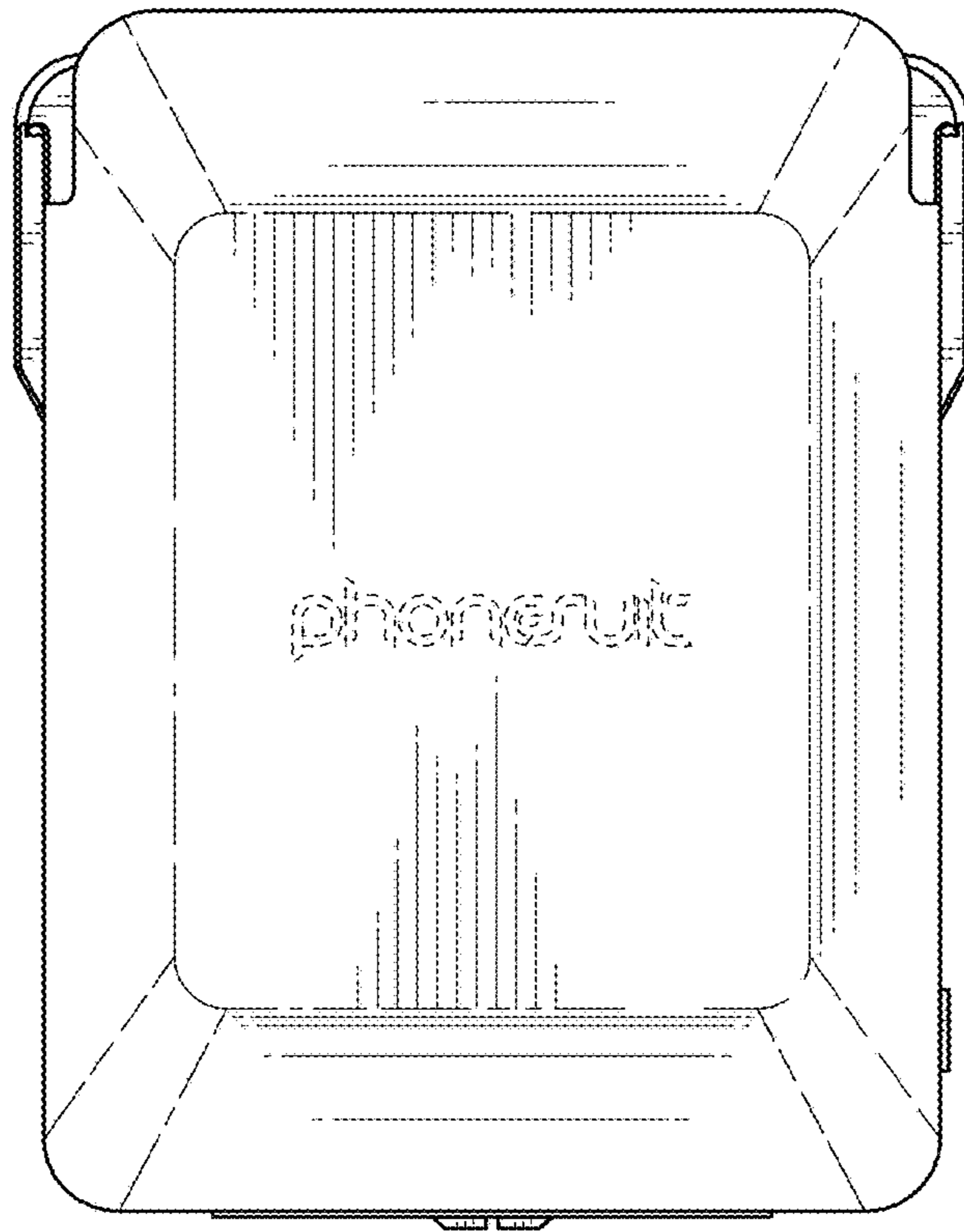


FIG. 7

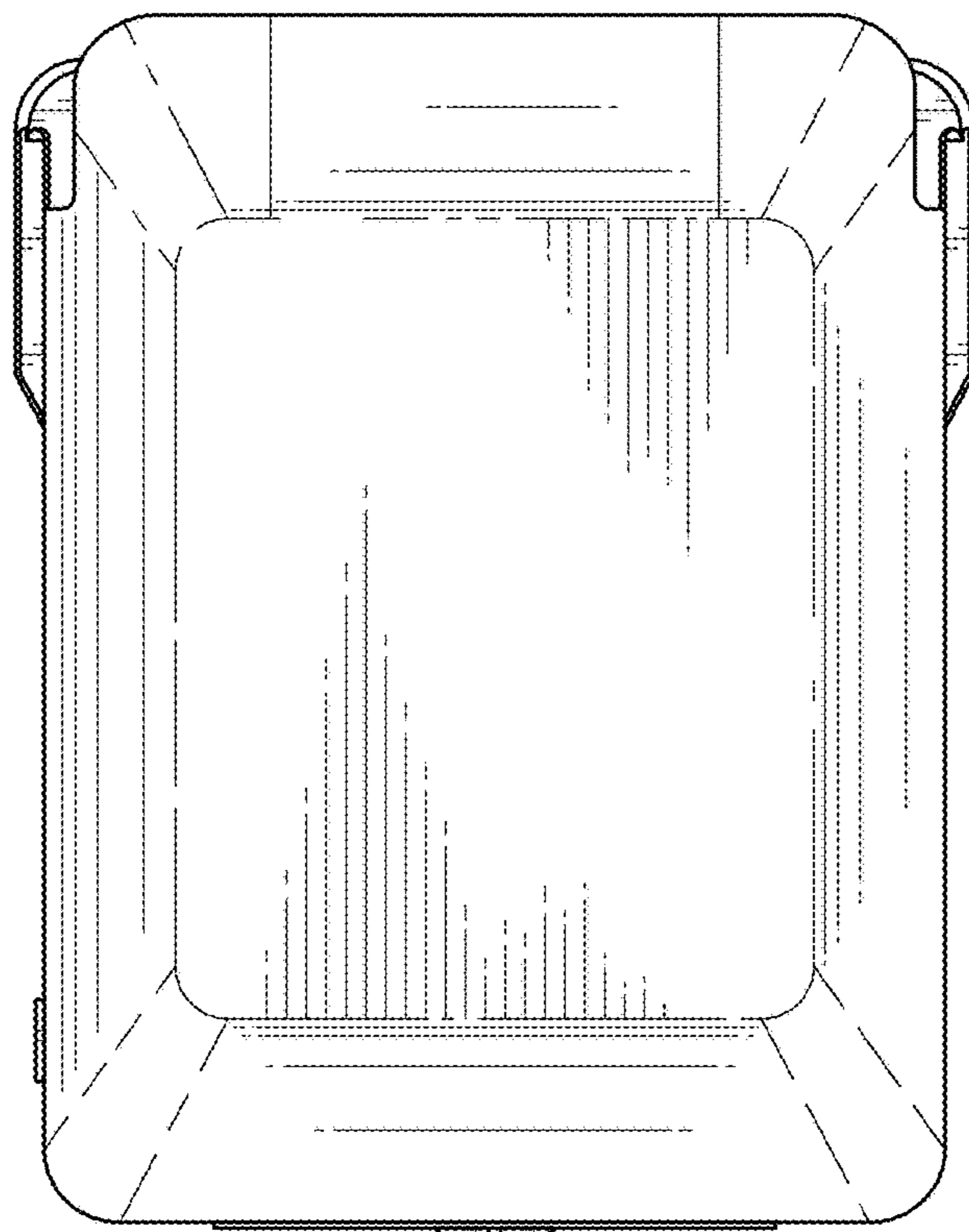


FIG. 8

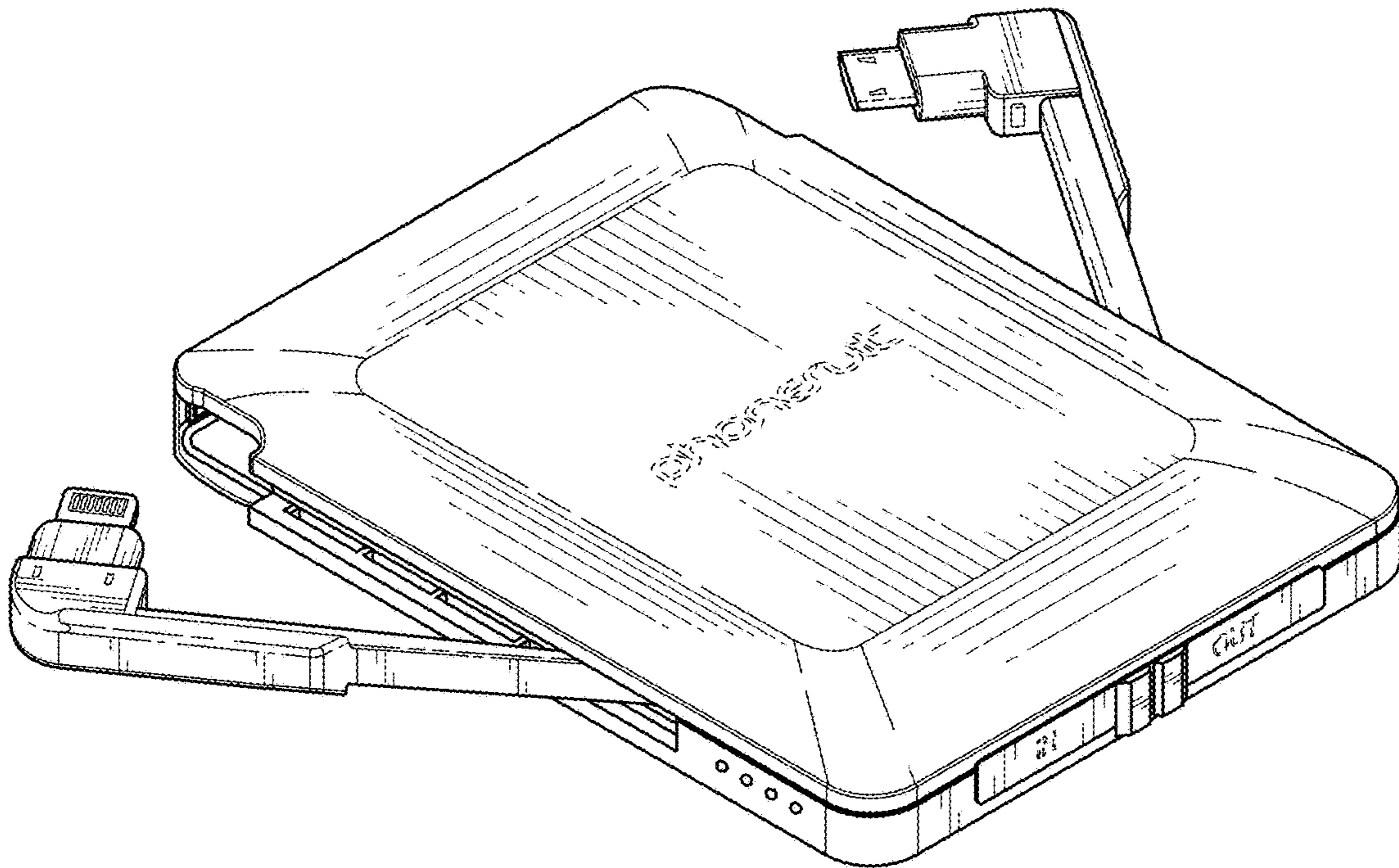


FIG. 9

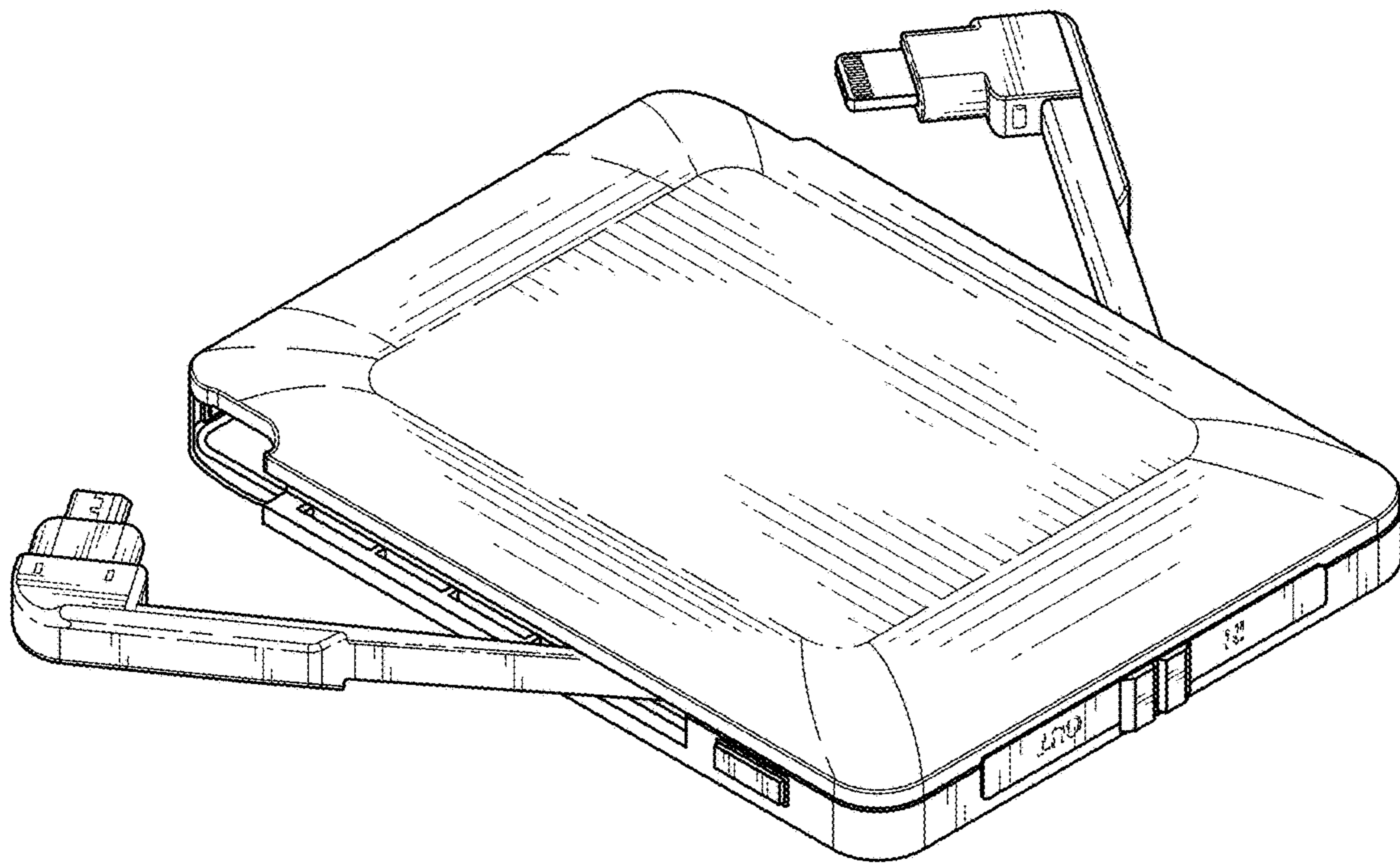


FIG. 10

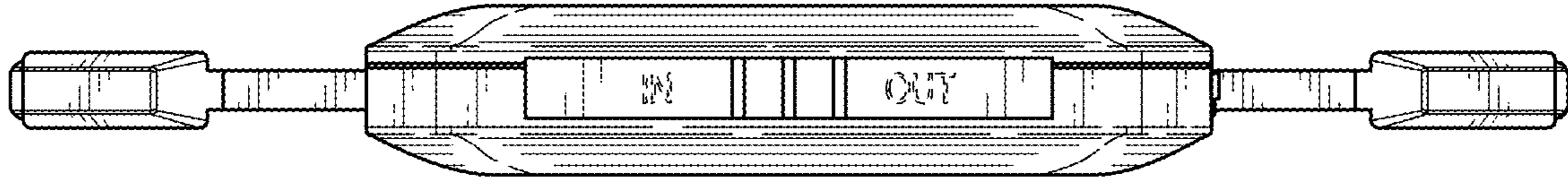


FIG. 11

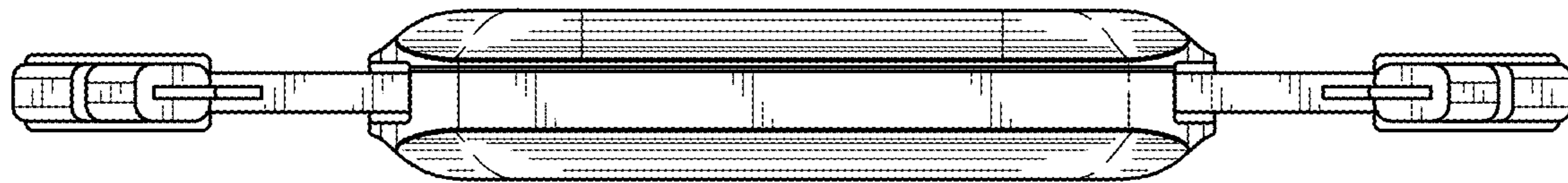


FIG. 12

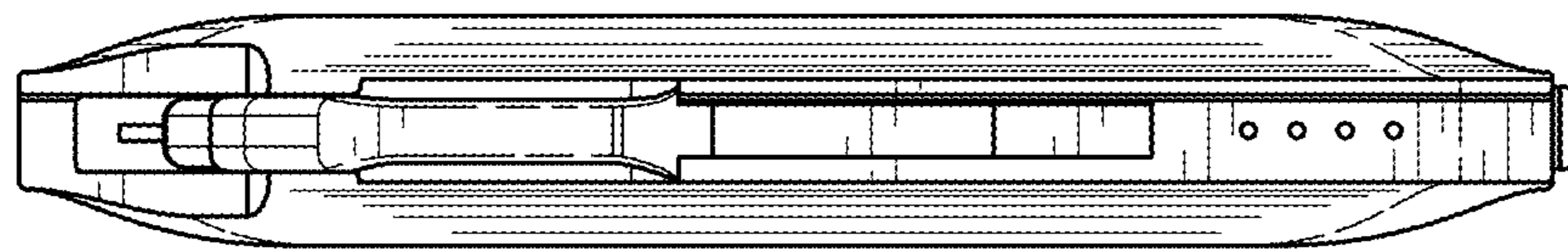


FIG. 13

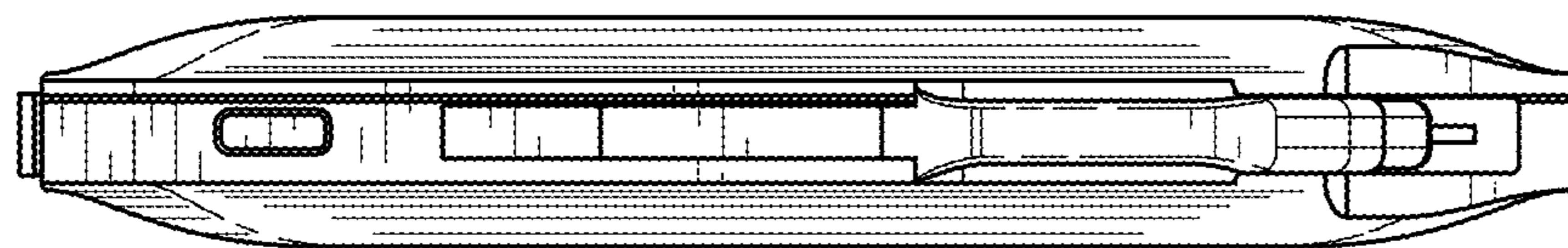


FIG. 14

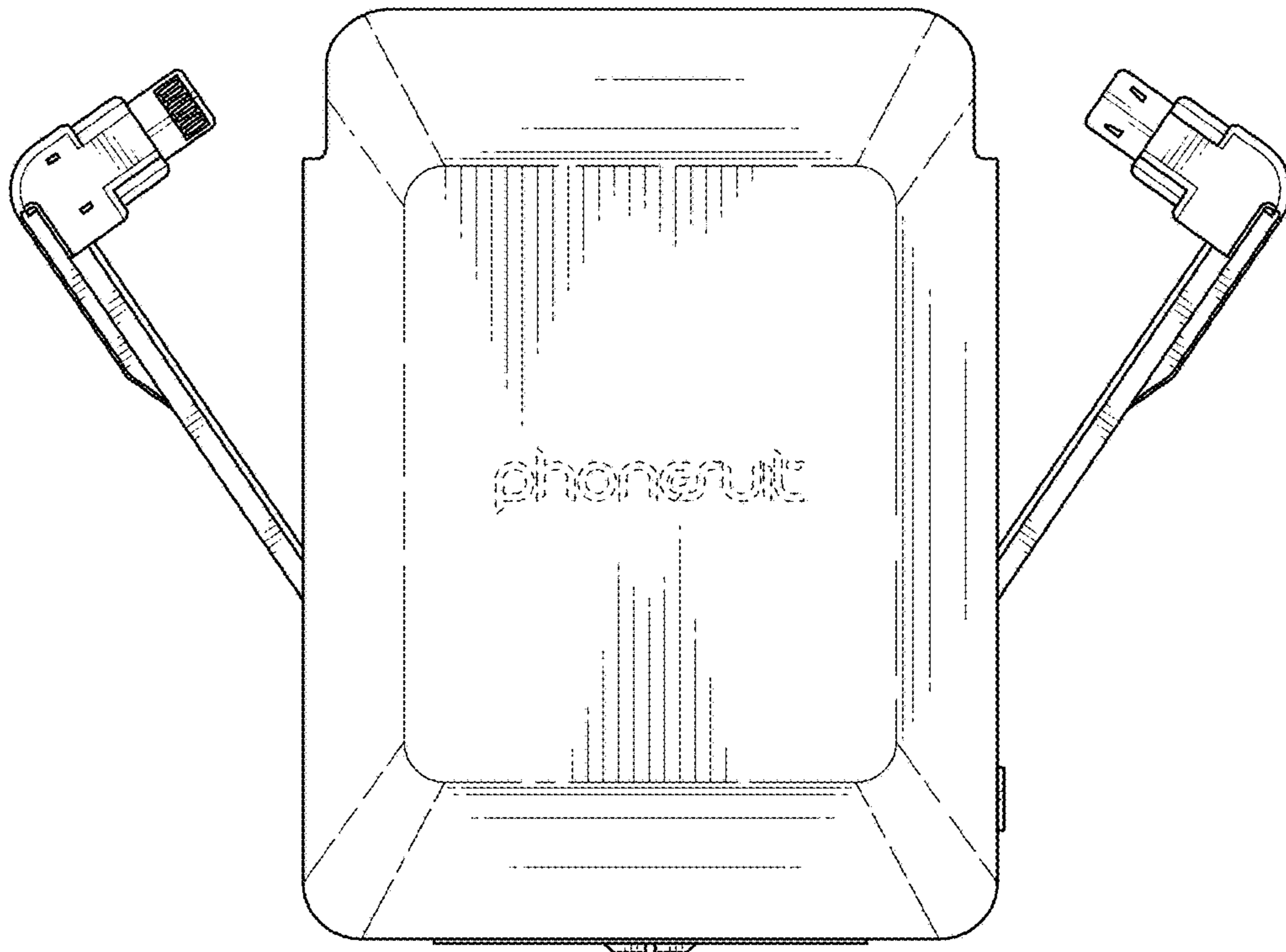


FIG. 15

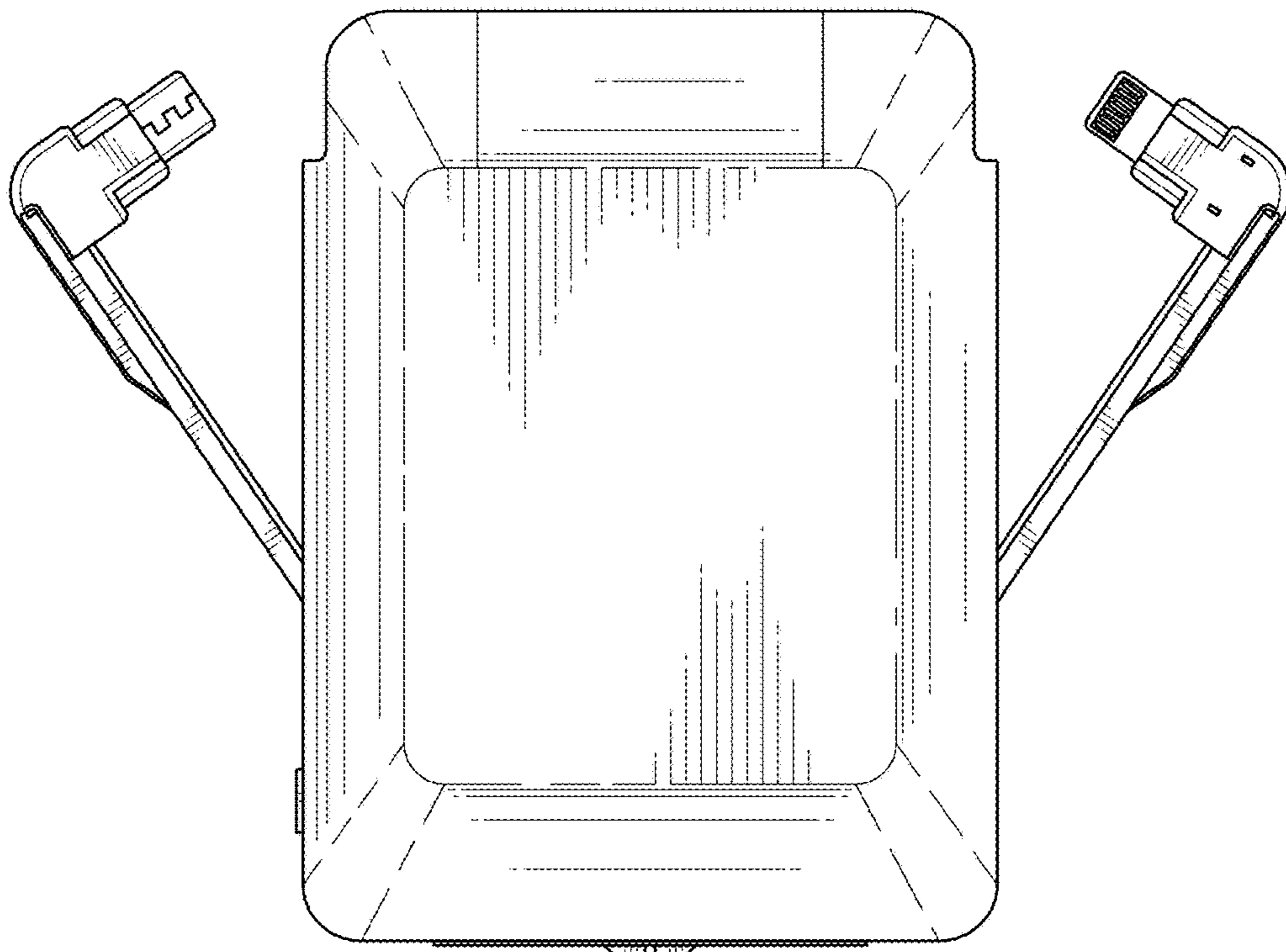


FIG. 16



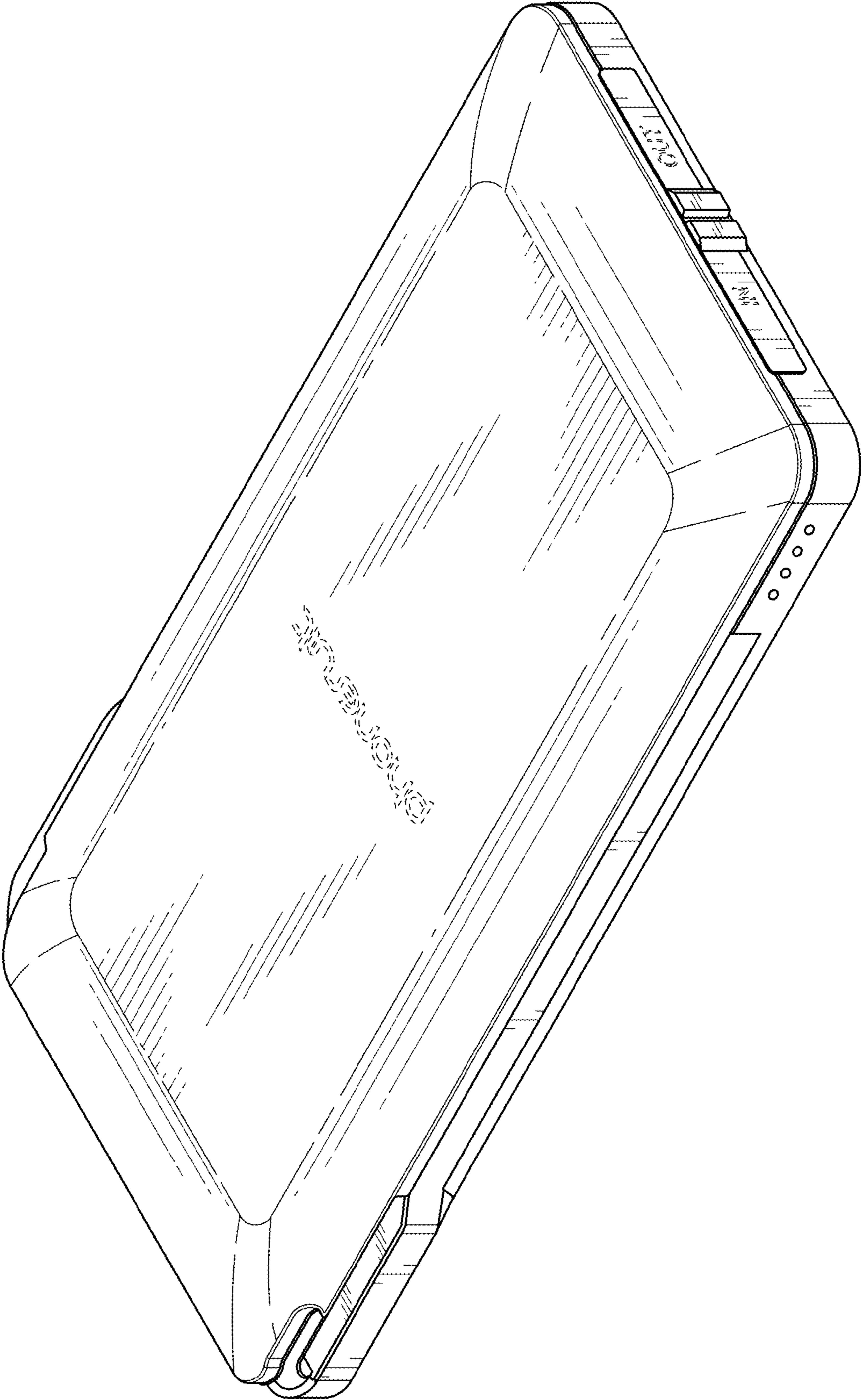


FIG. 17

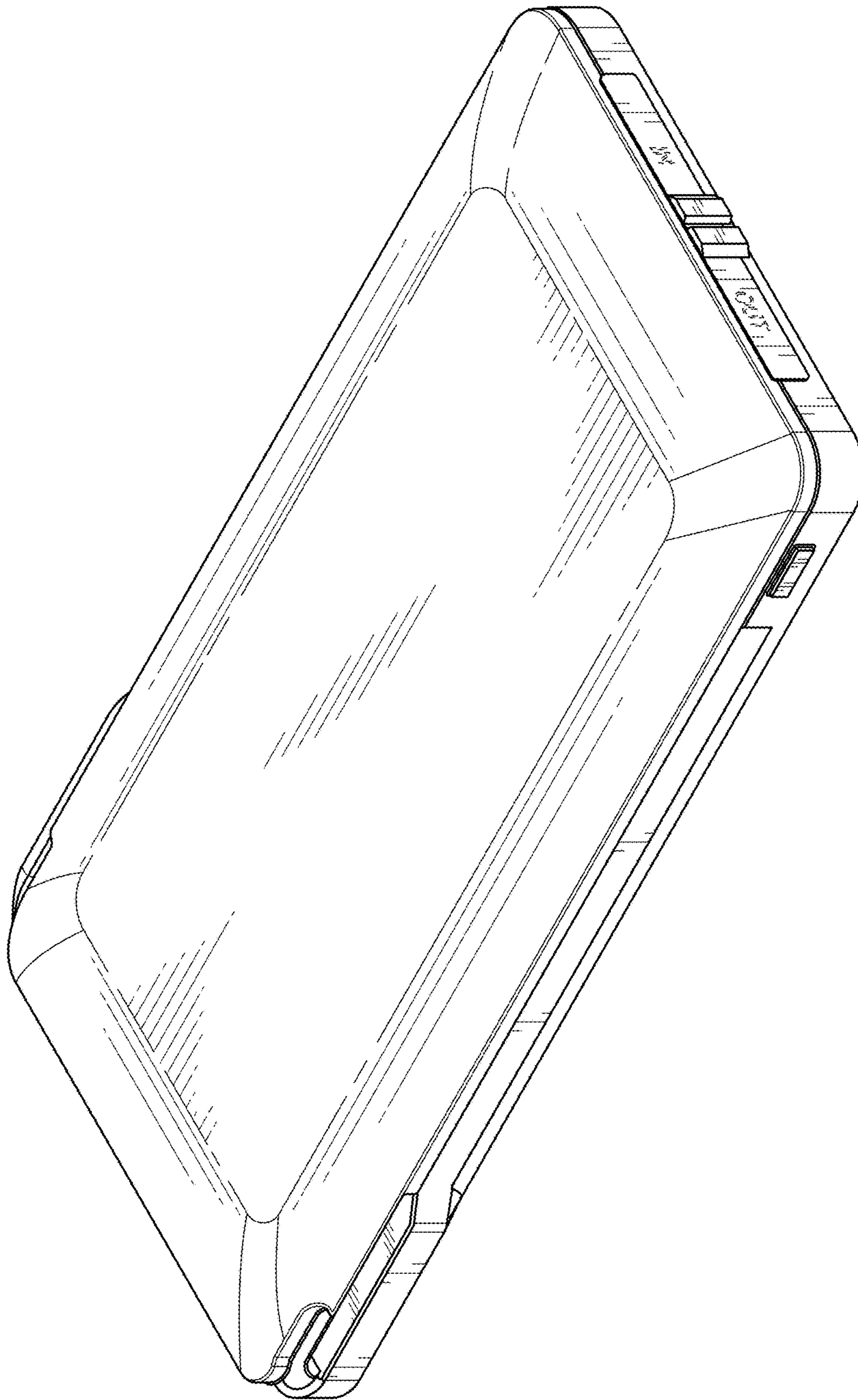


FIG. 18

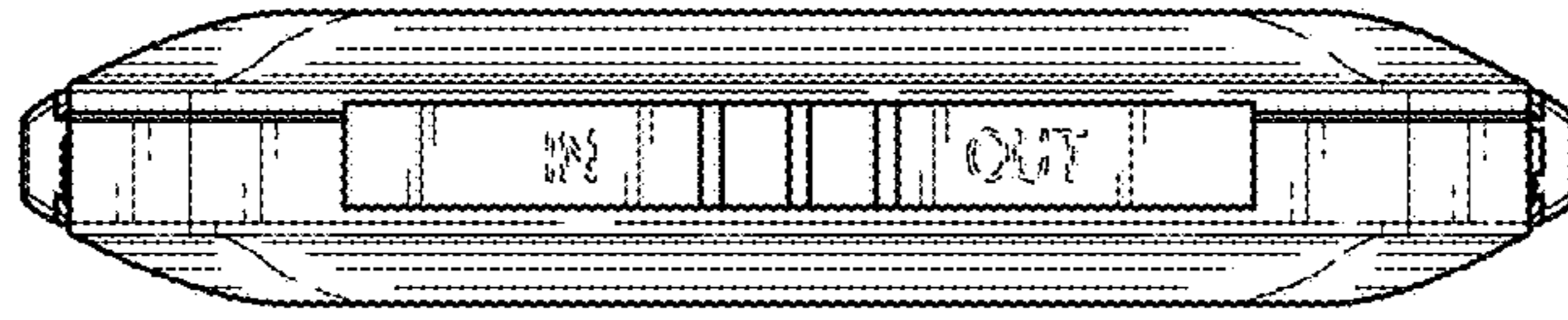


FIG. 19

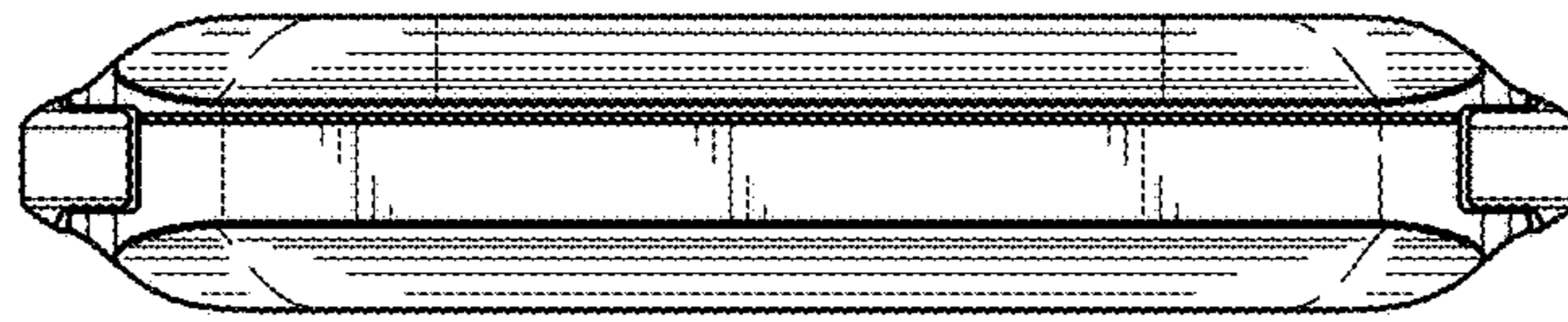


FIG. 20

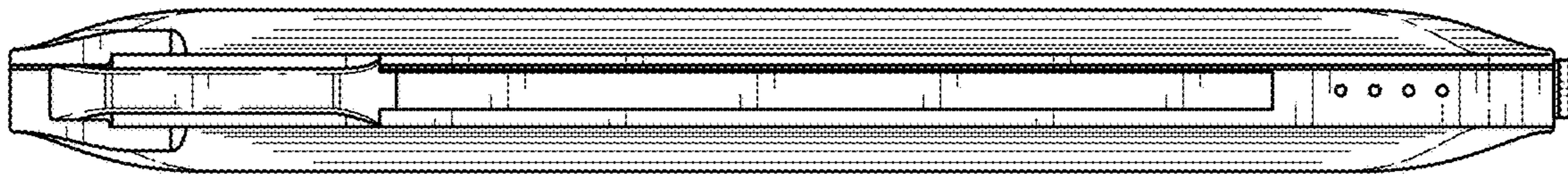


FIG. 21

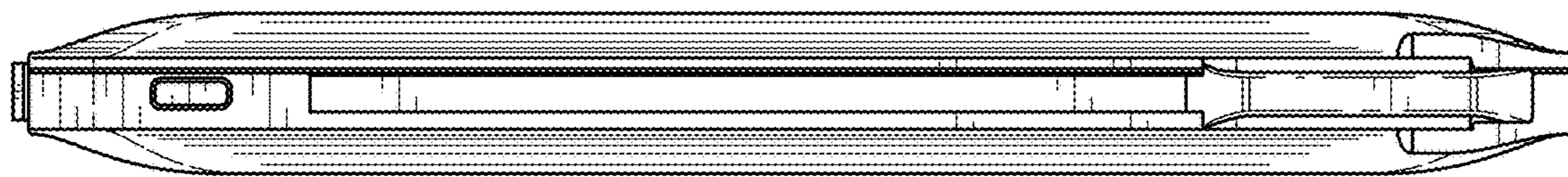


FIG. 22

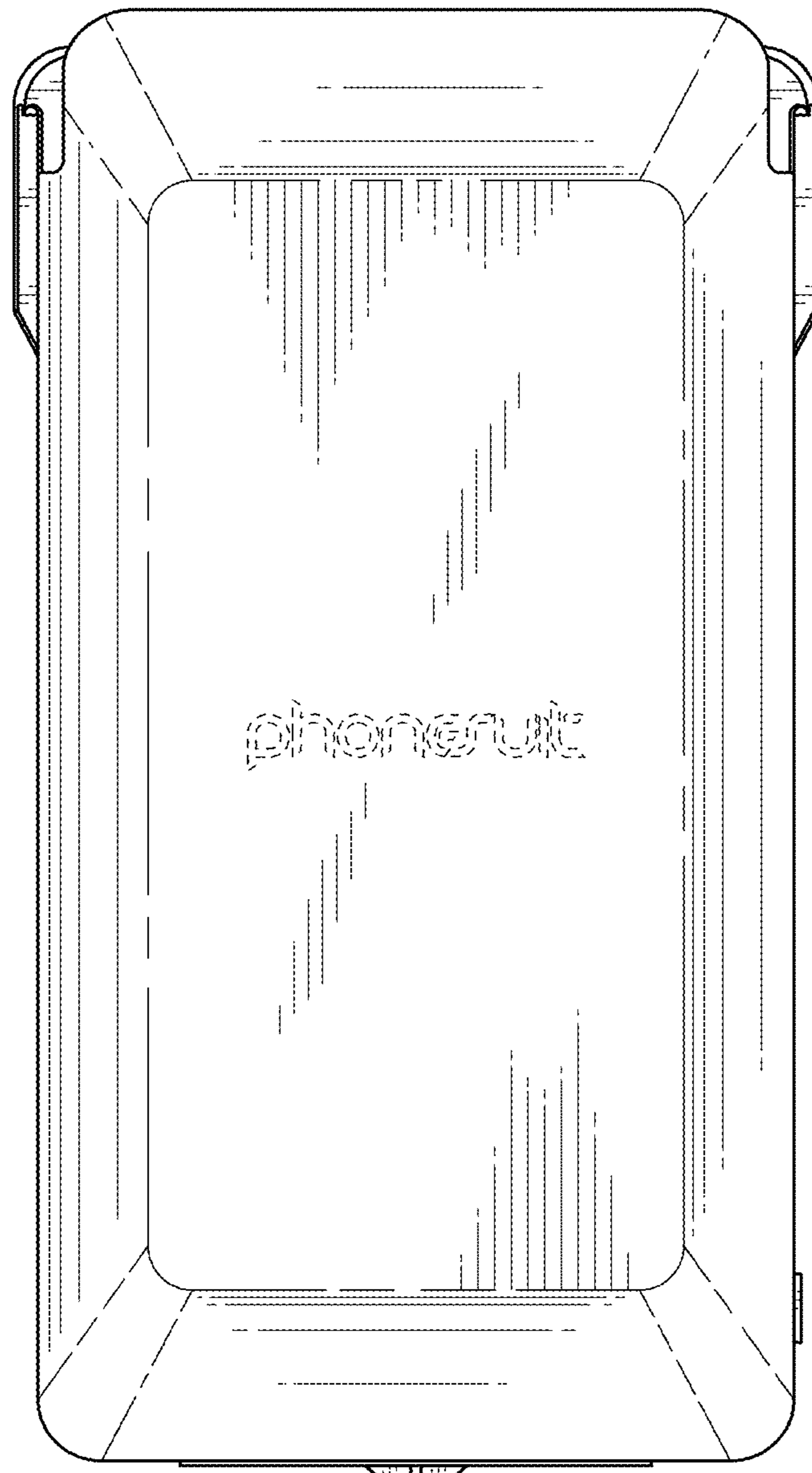


FIG. 23



FIG. 24

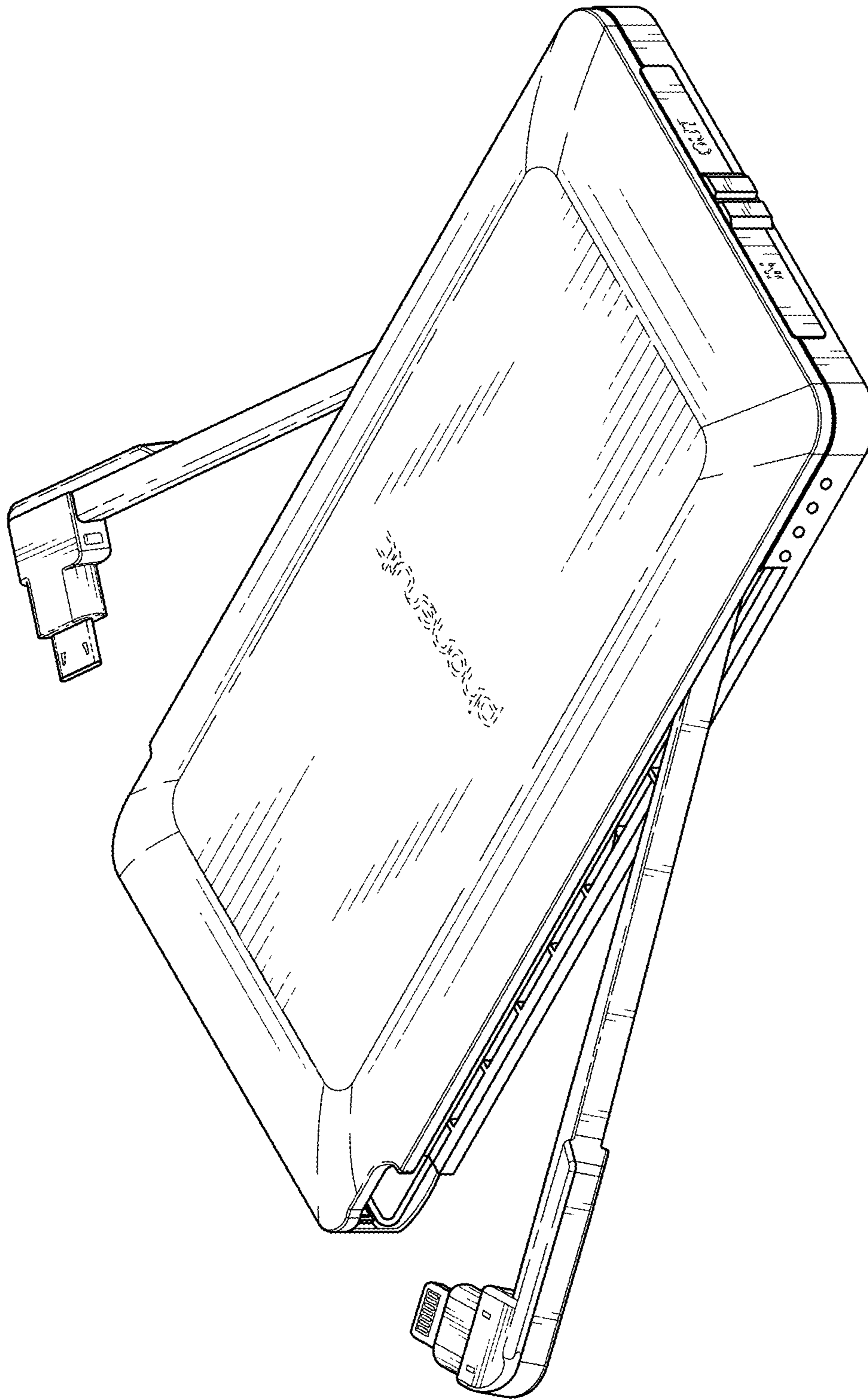


FIG. 25

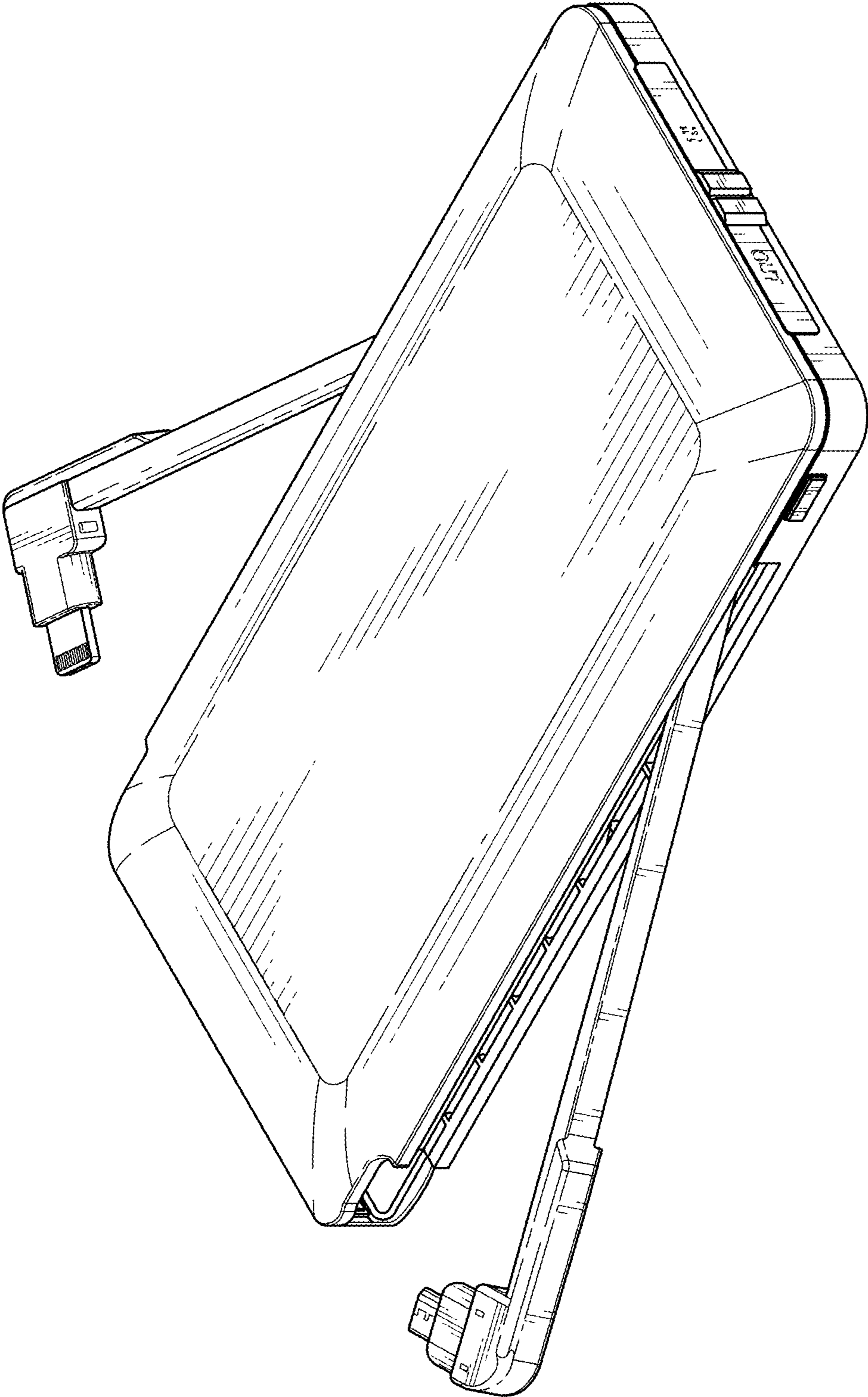


FIG. 26

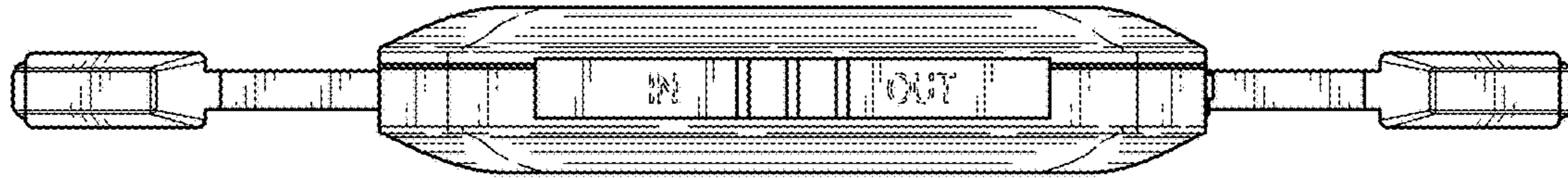


FIG. 27

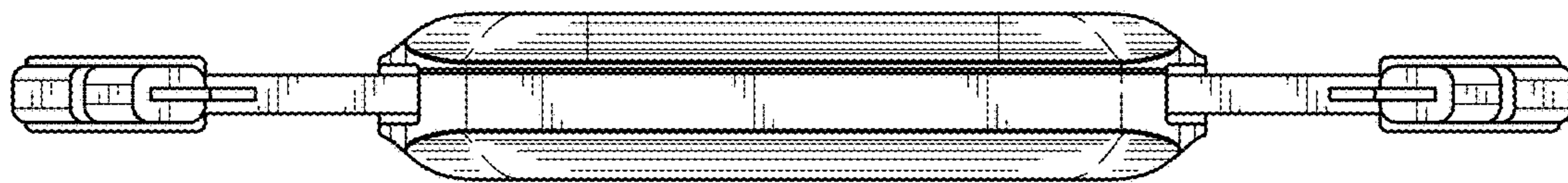


FIG. 28

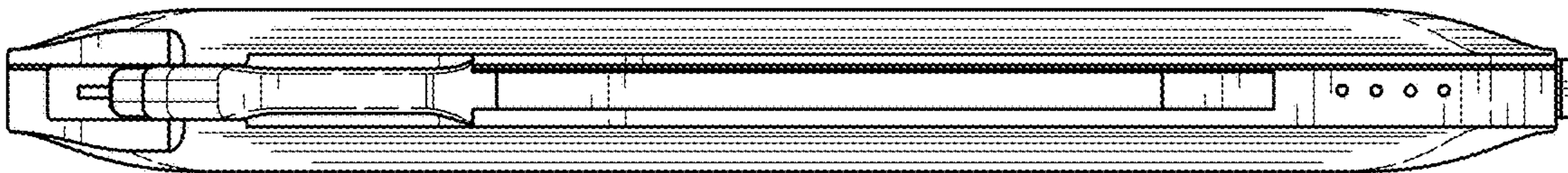


FIG. 29

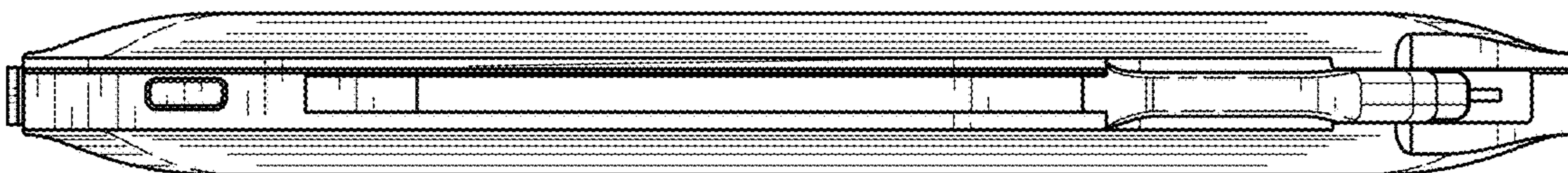


FIG. 30



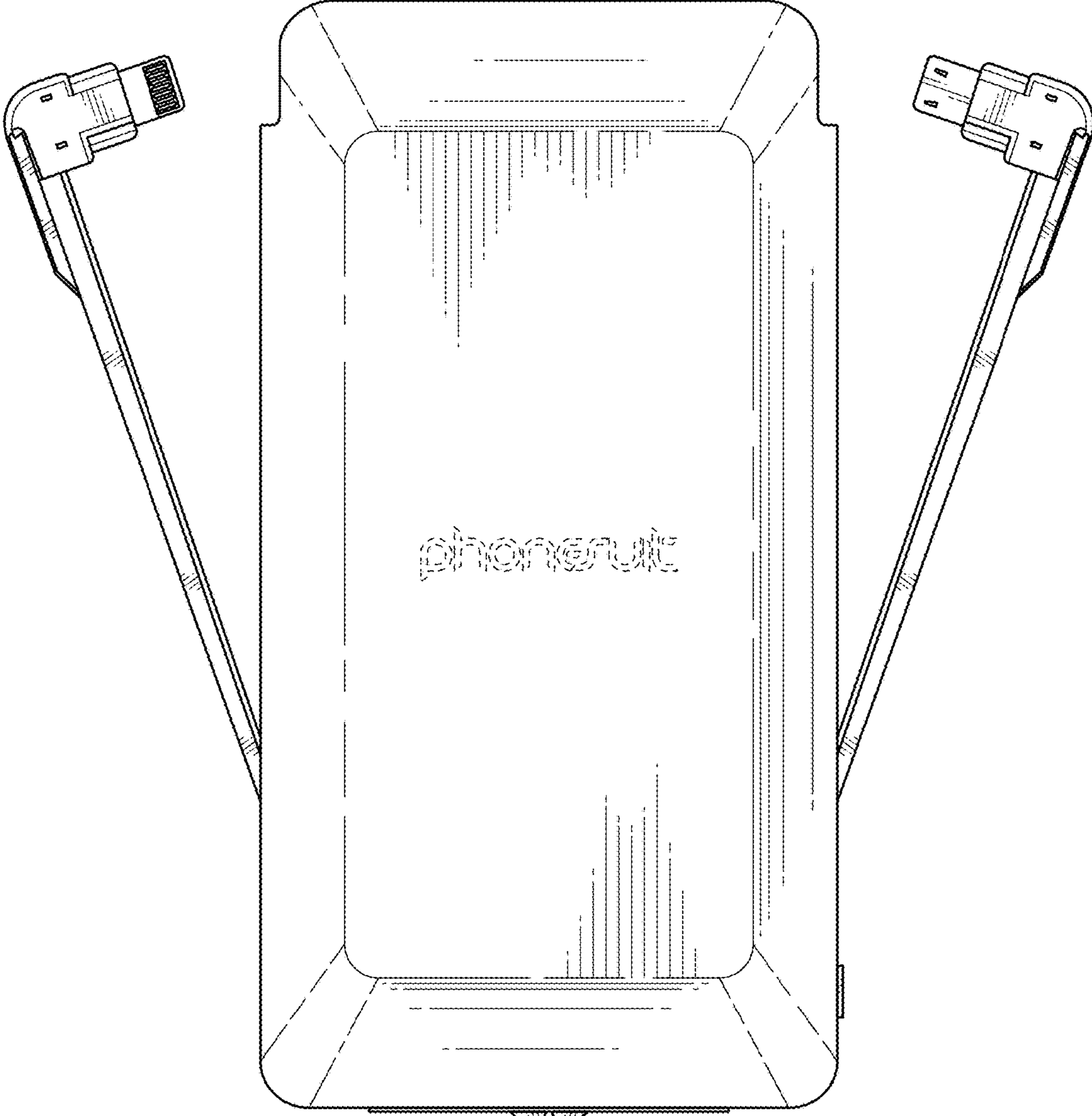


FIG. 31

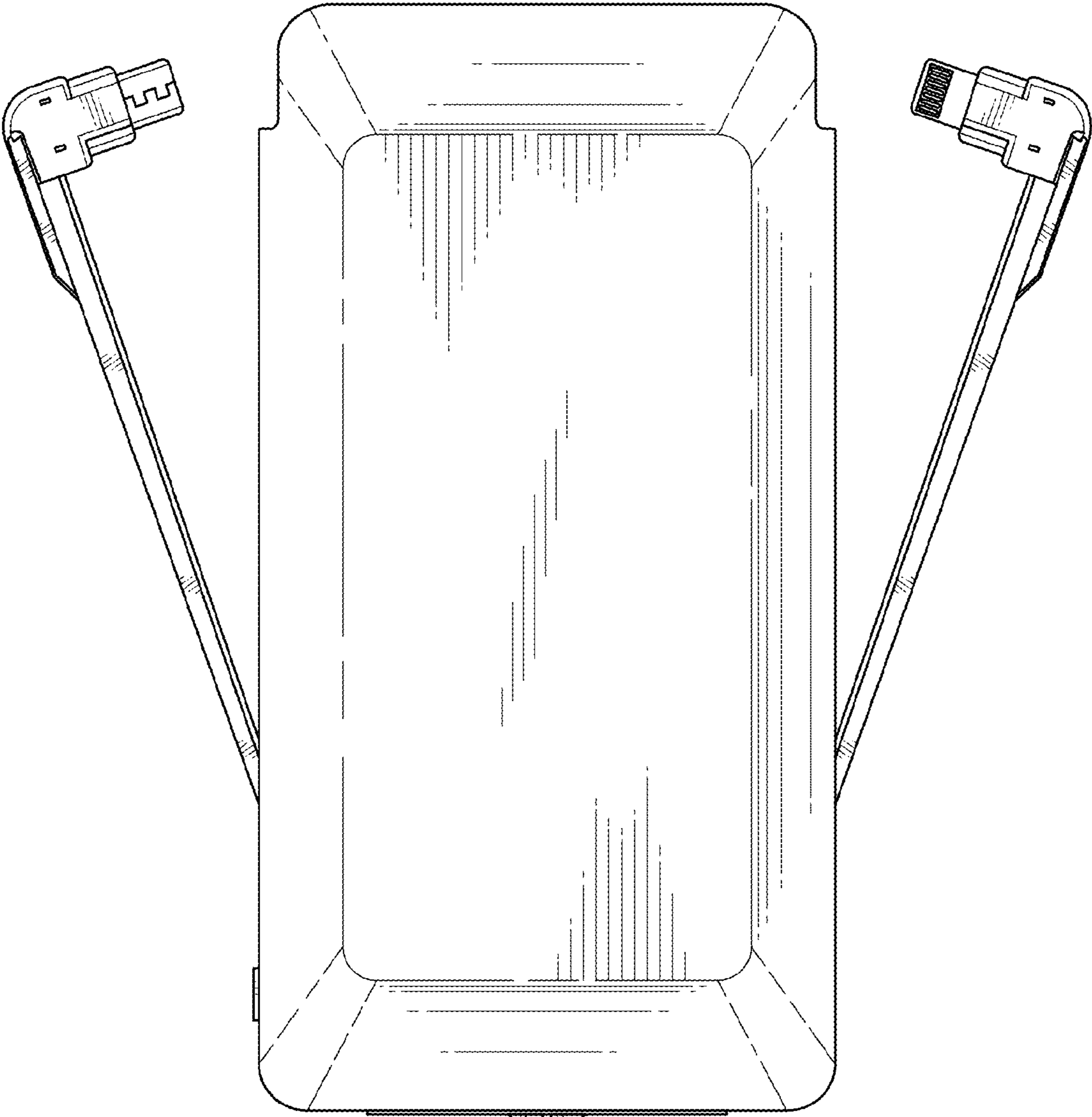


FIG. 32

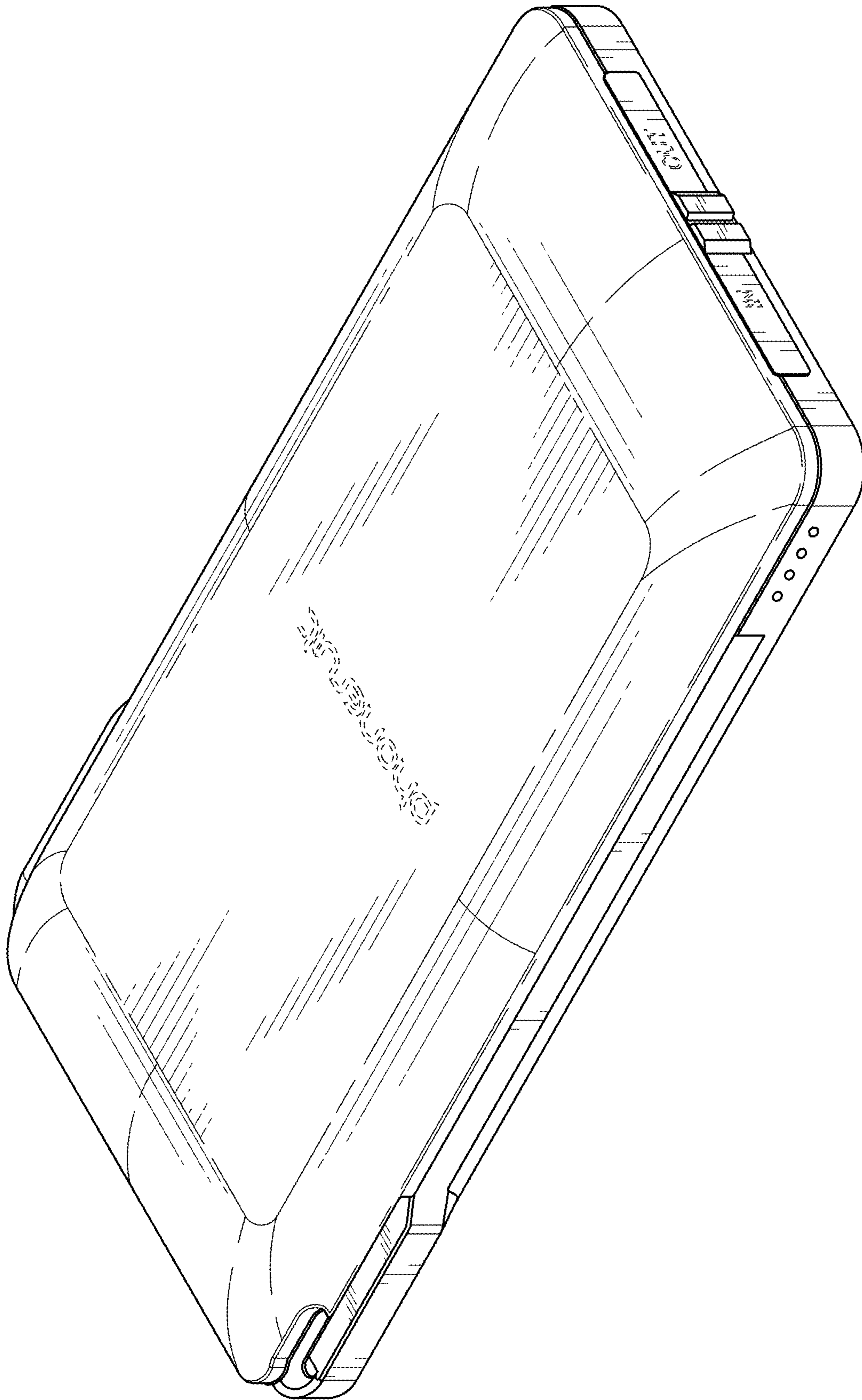


FIG. 33

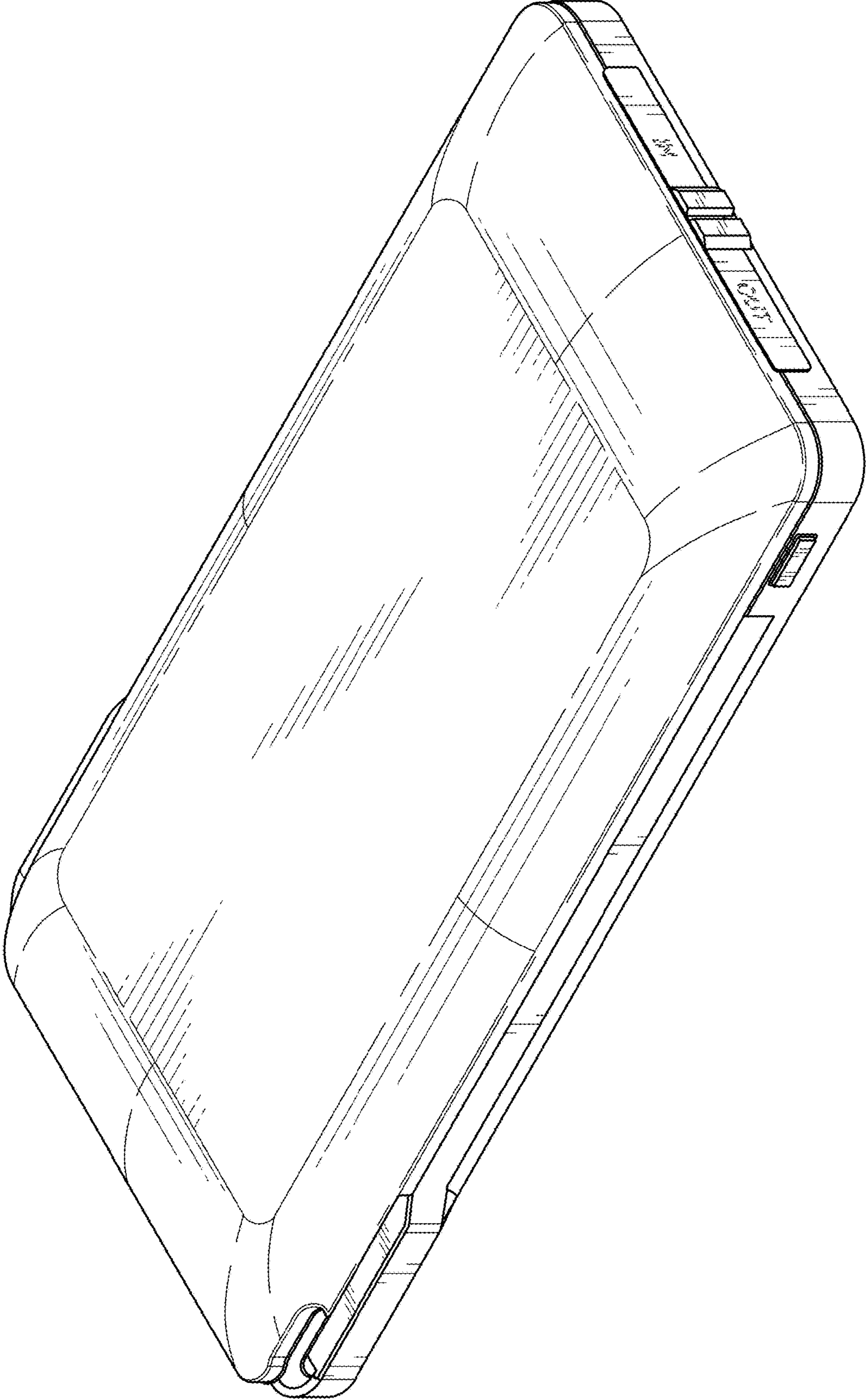


FIG. 34

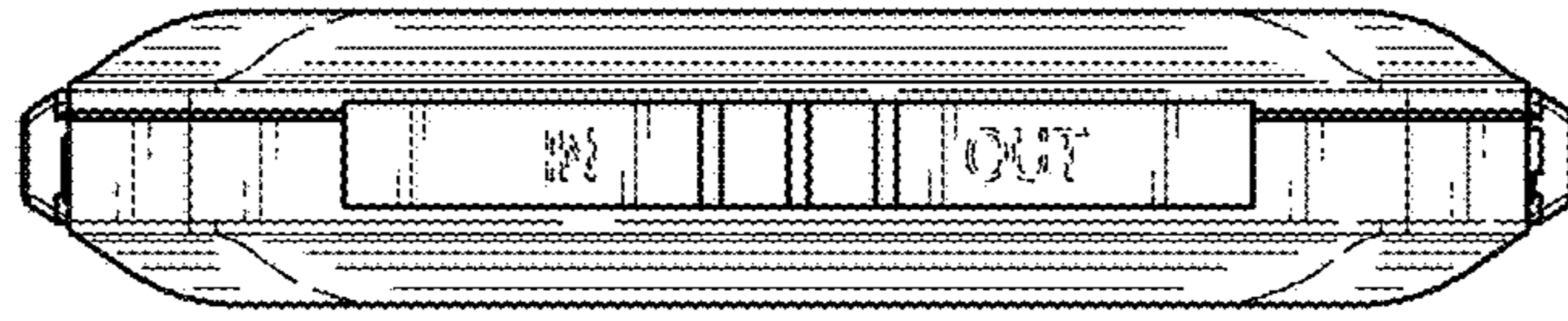


FIG. 35

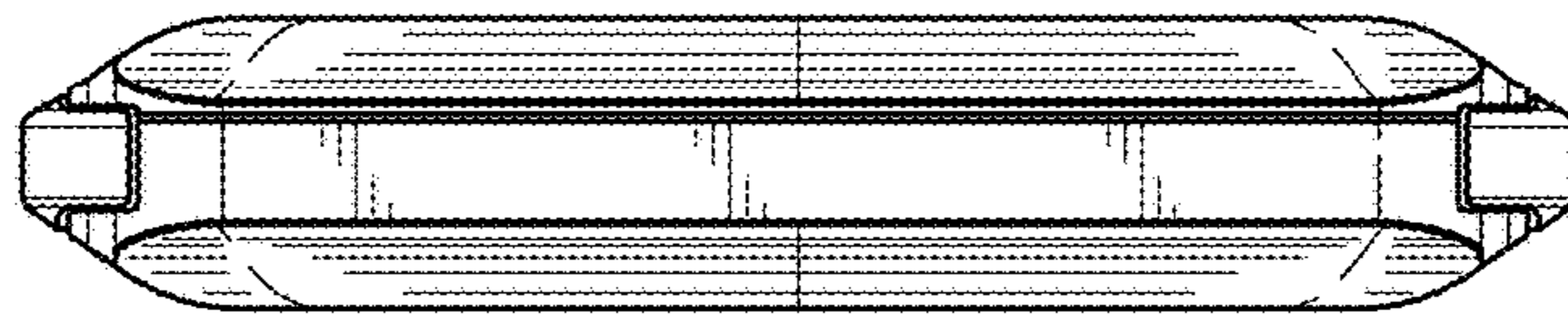


FIG. 36



FIG. 37



FIG. 38

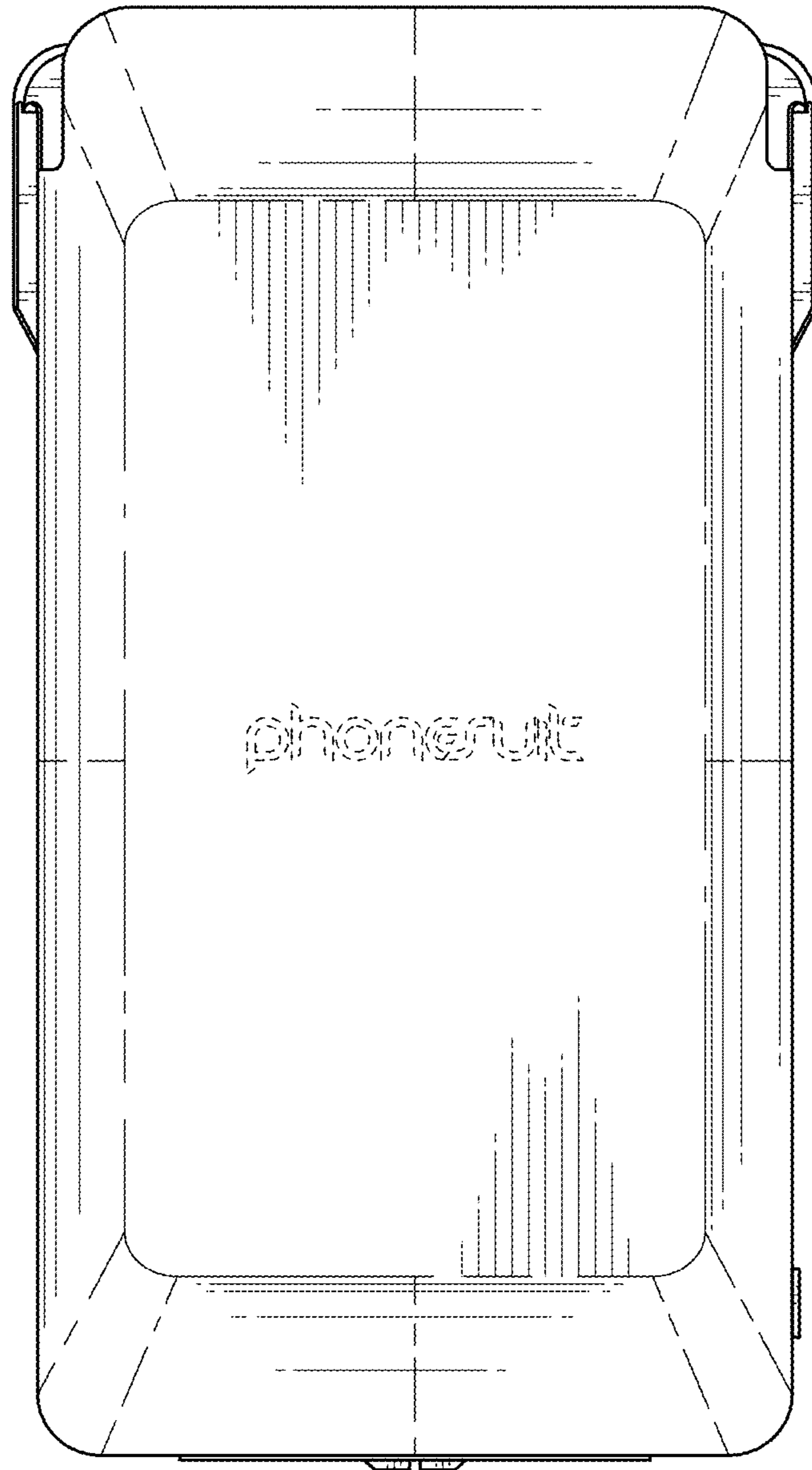


FIG. 39

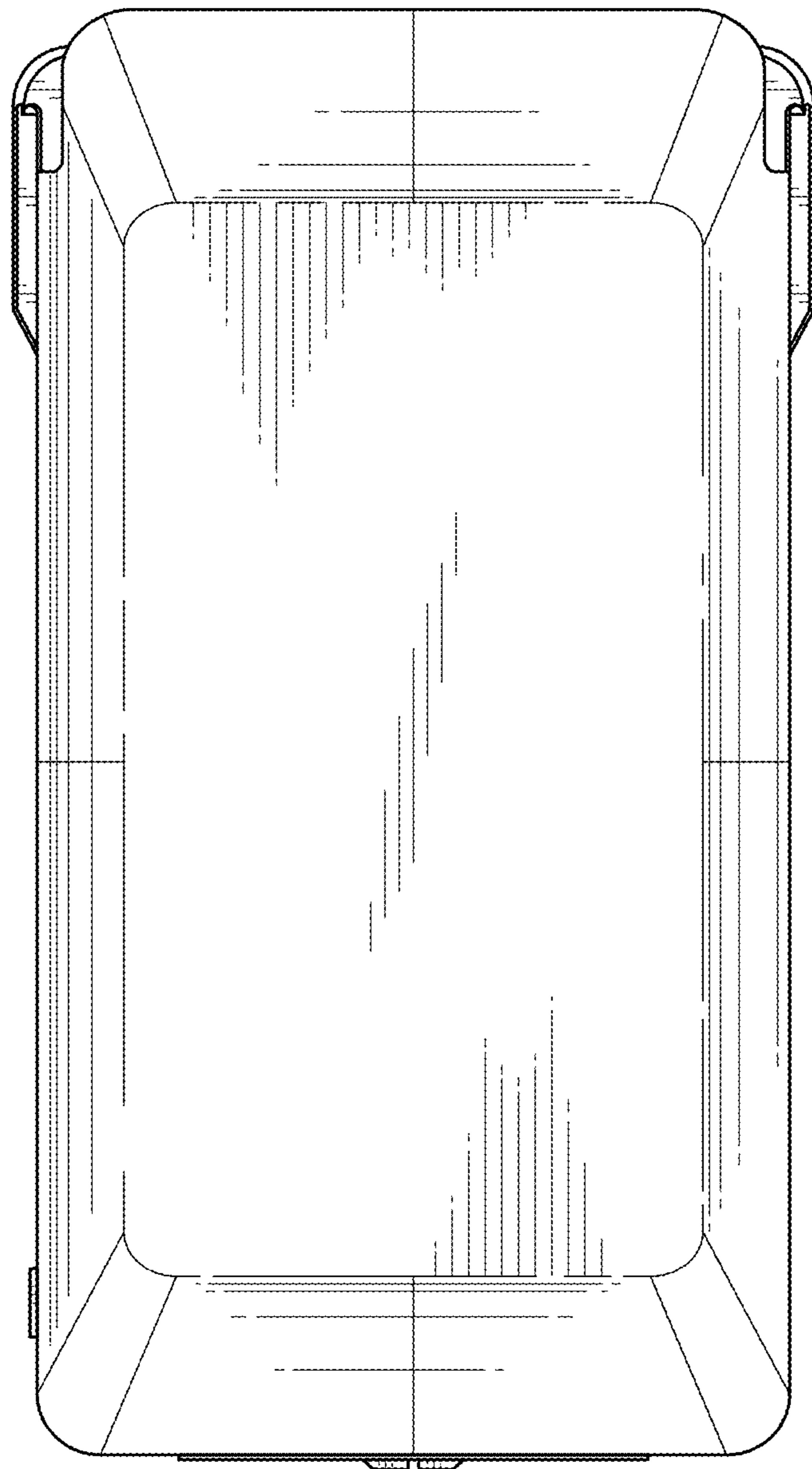


FIG. 40

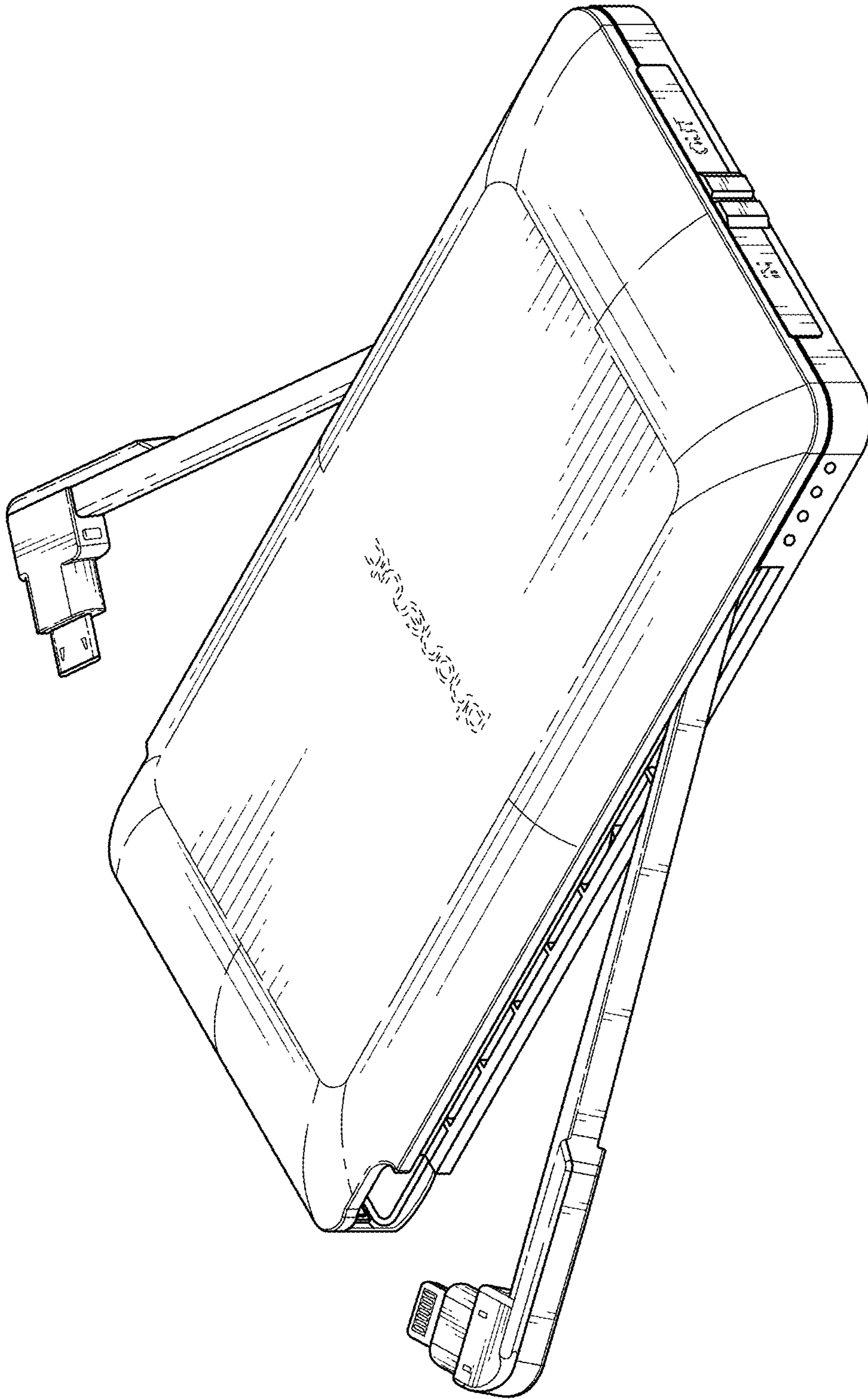


FIG. 41



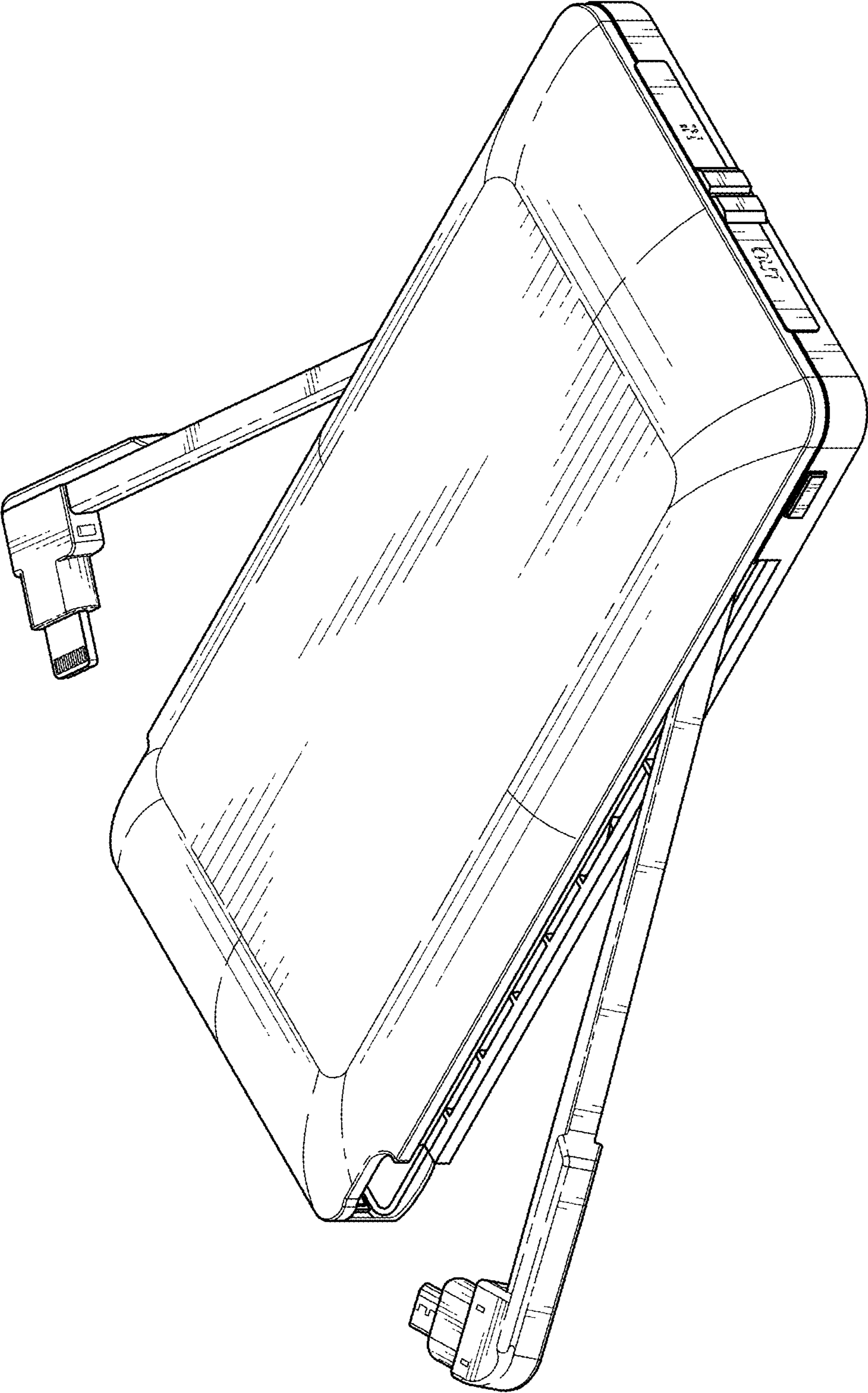


FIG. 42

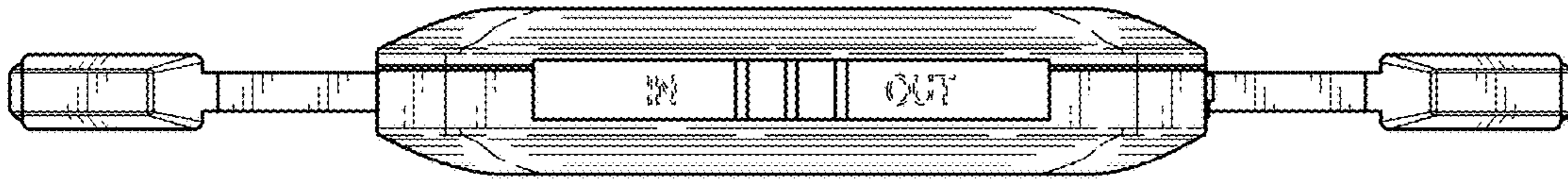


FIG. 43

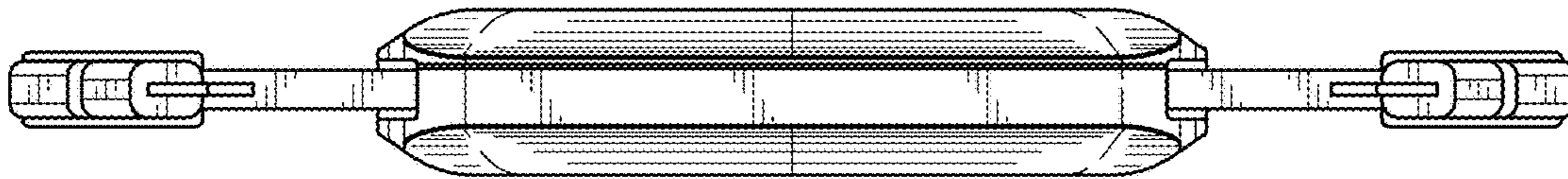


FIG. 44

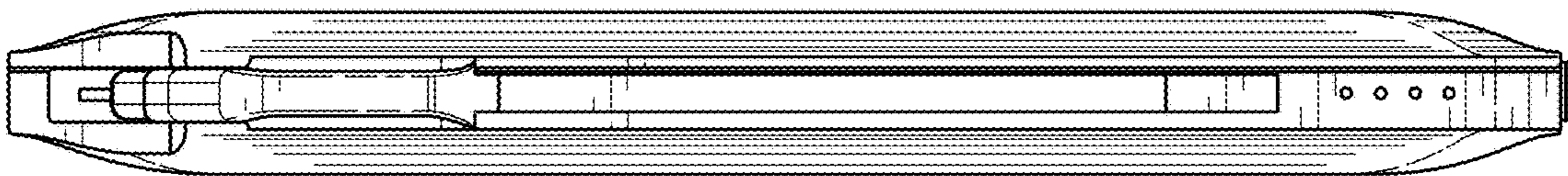


FIG. 45

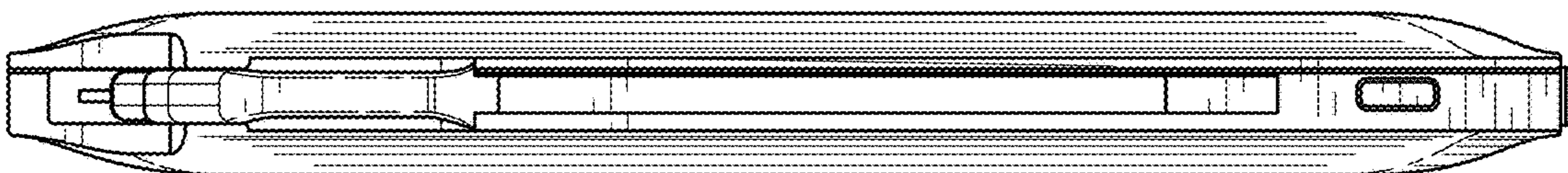


FIG. 46

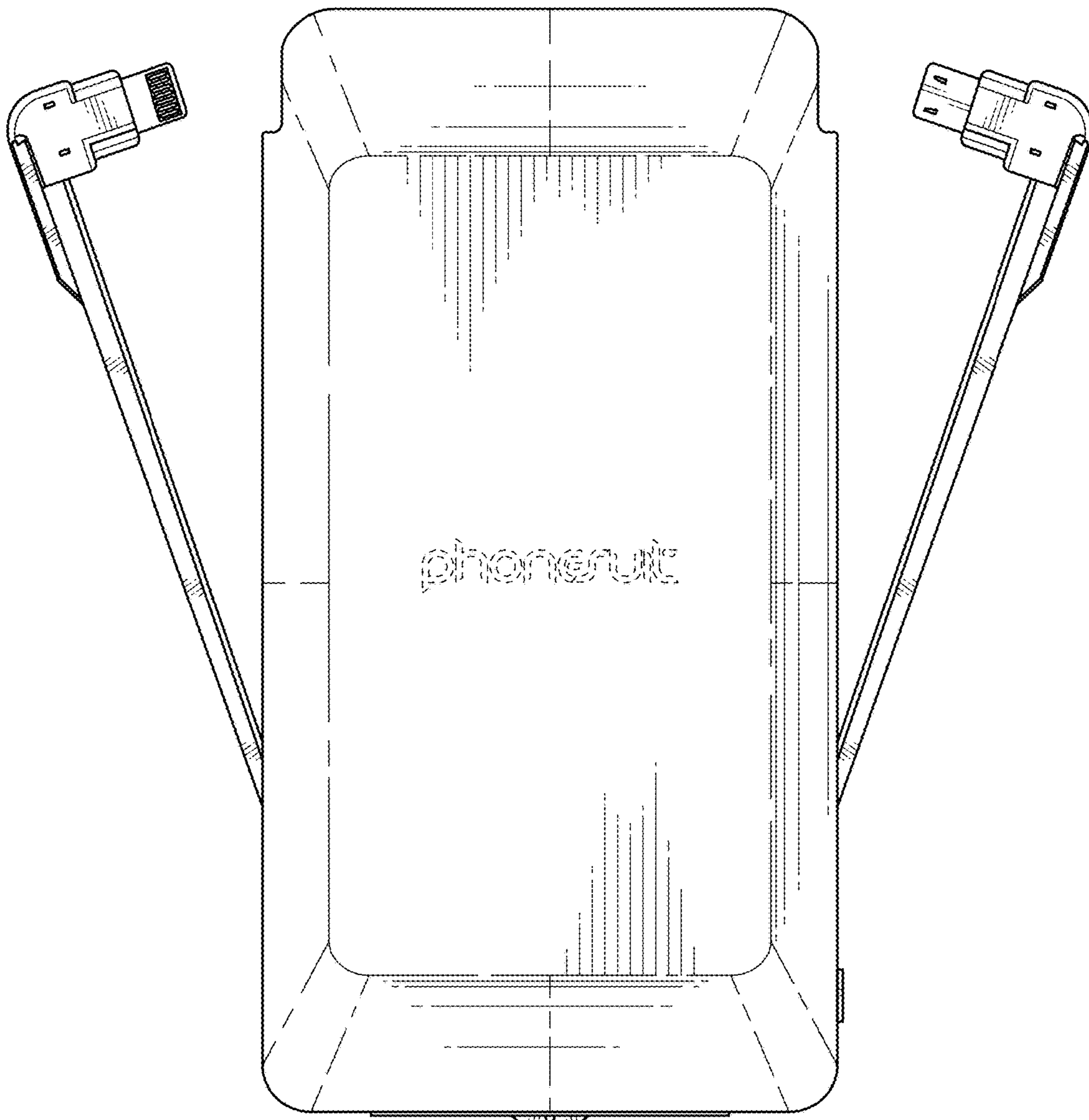


FIG. 47

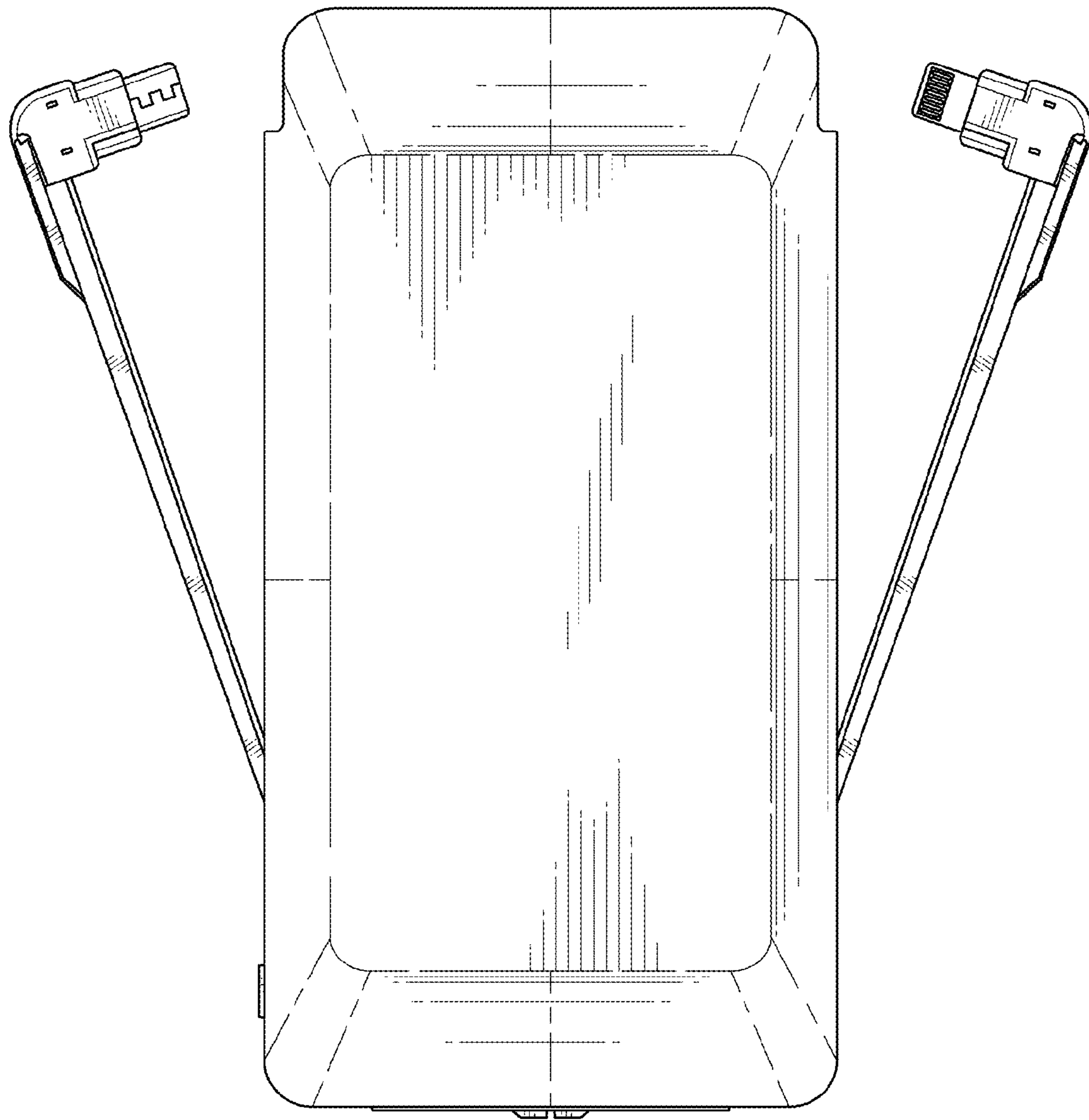


FIG. 48