



US00D823238S

(12) **United States Design Patent**  
**Takahashi et al.**

(10) **Patent No.:** **US D823,238 S**  
(45) **Date of Patent:** **\*\* Jul. 17, 2018**

(54) **BATTERY**

(71) Applicant: **Fujikura Rubber Ltd.**, Koto-ku, Tokyo (JP)

(72) Inventors: **Masaki Takahashi**, Saitama (JP);  
**Tsutomu Narita**, Saitama (JP);  
**Yoshiharu Nakajima**, Saitama (JP);  
**Hiroshi Sakama**, Saitama (JP)

(73) Assignee: **FUJIKURA RUBBER LTD.**, Tokyo (JP)

(\*\*) Term: **15 Years**

(21) Appl. No.: **29/573,856**

(22) Filed: **Aug. 10, 2016**

(30) **Foreign Application Priority Data**

Feb. 22, 2016 (JP) ..... 2016-003738

(51) **LOC (11) Cl.** ..... **13-02**

(52) **U.S. Cl.**  
USPC ..... **D13/103**

(58) **Field of Classification Search**

USPC ..... D13/102–106, 110, 118–119, 184  
CPC ..... Y02E 60/12; Y02E 60/122; Y02E 60/124;  
Y02E 60/50; H01M 2/02; H01M 2/022;  
H01M 2/0202; H01M 2/0207; H01M  
2/0212; H01M 2/1061; H01M 2/1022;  
H01M 2/1055; H01M 2/1066; H01M  
2/105; H01M 2/204; H01M 10/4257;  
H01M 10/0436; H01M 10/48

See application file for complete search history.

(56) **References Cited**

**U.S. PATENT DOCUMENTS**

5,093,213 A \* 3/1992 O'Callaghan ..... H01M 2/40  
429/120  
5,582,929 A \* 12/1996 Dechovich ..... H01M 2/40  
429/120

D424,529 S \* 5/2000 Raspotnig ..... D13/184  
D449,817 S \* 10/2001 Takeuchi ..... D13/110  
D664,923 S \* 8/2012 Harmon ..... D13/119  
D699,668 S \* 2/2014 Kasaba ..... D13/103  
D792,848 S \* 7/2017 Poikolainen ..... D13/139.4  
D797,660 S \* 9/2017 Oliver ..... D13/103  
2010/0203394 A1 \* 8/2010 Bae ..... H01M 2/1626  
429/246

(Continued)

**OTHER PUBLICATIONS**

WattSatt by Fujikura Rubber, article published on Mar. 29, 2016 on fareastgizmos.com, retrieved on Oct. 15, 2017, retrieved from the Internet URL: <http://fareastgizmos.com/uncategorized/wattsatt-magnesium-air-battery-from-fujikura-rubber-can-fully-charge-30-smart-phones-using-2-l-of-water.php>.\*

*Primary Examiner* — Rosemary K Tarcza

*Assistant Examiner* — Alison M Ofstun

(74) *Attorney, Agent, or Firm* — McCormick, Paulding & Huber LLP

(57) **CLAIM**

The ornamental design for a battery, as shown and described.

**DESCRIPTION**

FIG. 1 is a right, front perspective view of a battery, showing, our new design;

FIG. 2 is a left, rear perspective view thereof;

FIG. 3 is a front view thereof;

FIG. 4 is a rear view thereof;

FIG. 5 is a top view thereof;

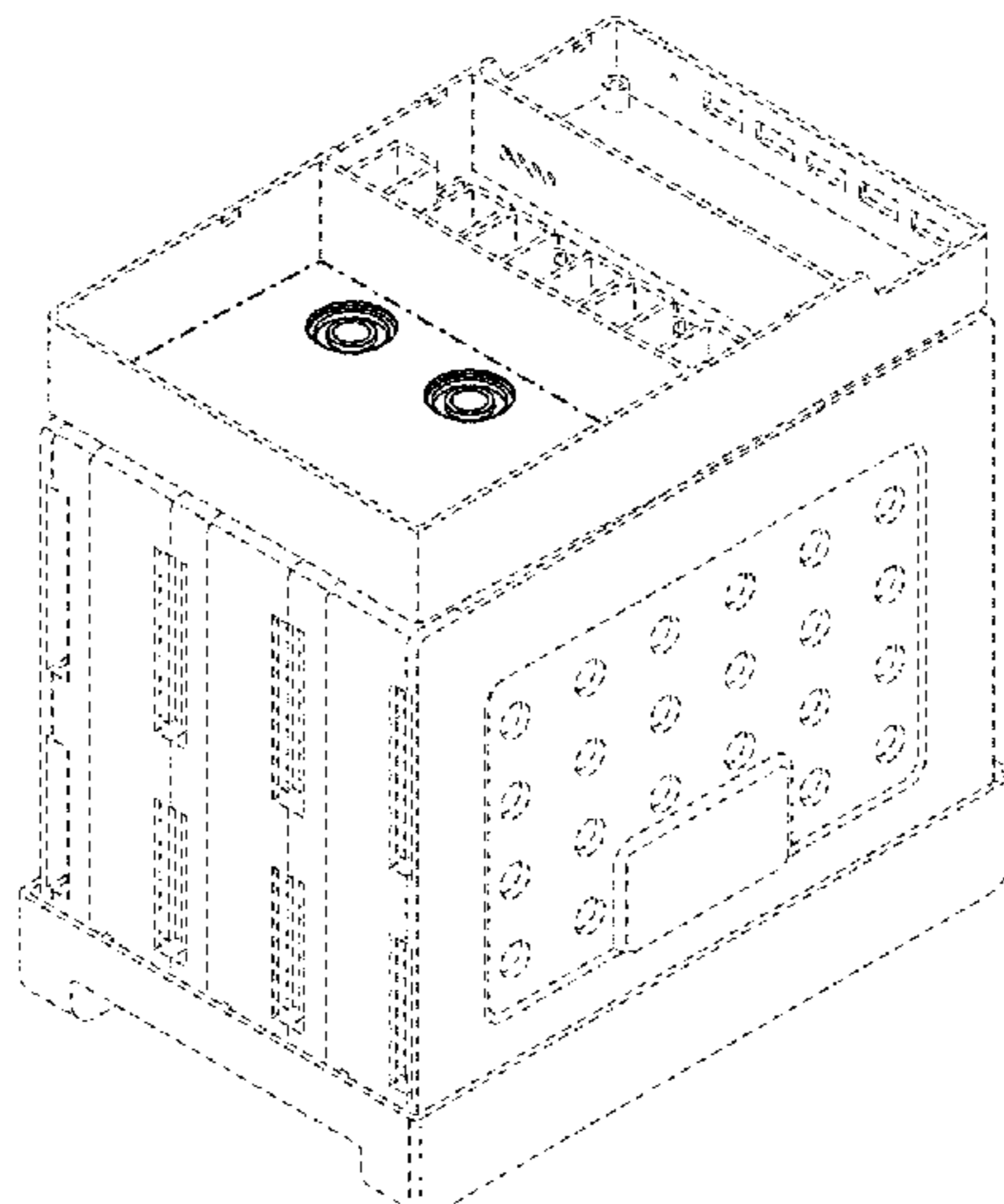
FIG. 6 is a bottom view thereof;

FIG. 7 is a right side view thereof; and,

FIG. 8 is a left side view thereof.

The broken lines present in the figures are included for the purpose of illustrating portions of the article which form no part of the claimed design. The dash-dot lines are included to indicate boundaries of the claimed design and form no part thereof.

**1 Claim, 4 Drawing Sheets**



(56)

**References Cited**

U.S. PATENT DOCUMENTS

2013/0034781 A1\* 2/2013 Khasin ..... H01M 2/362  
429/405  
2013/0342213 A1\* 12/2013 Seol ..... G01R 31/3624  
324/434  
2017/0077466 A1\* 3/2017 Choi ..... H01M 2/1077  
2017/0125752 A1\* 5/2017 Kim ..... H01M 2/08

\* cited by examiner

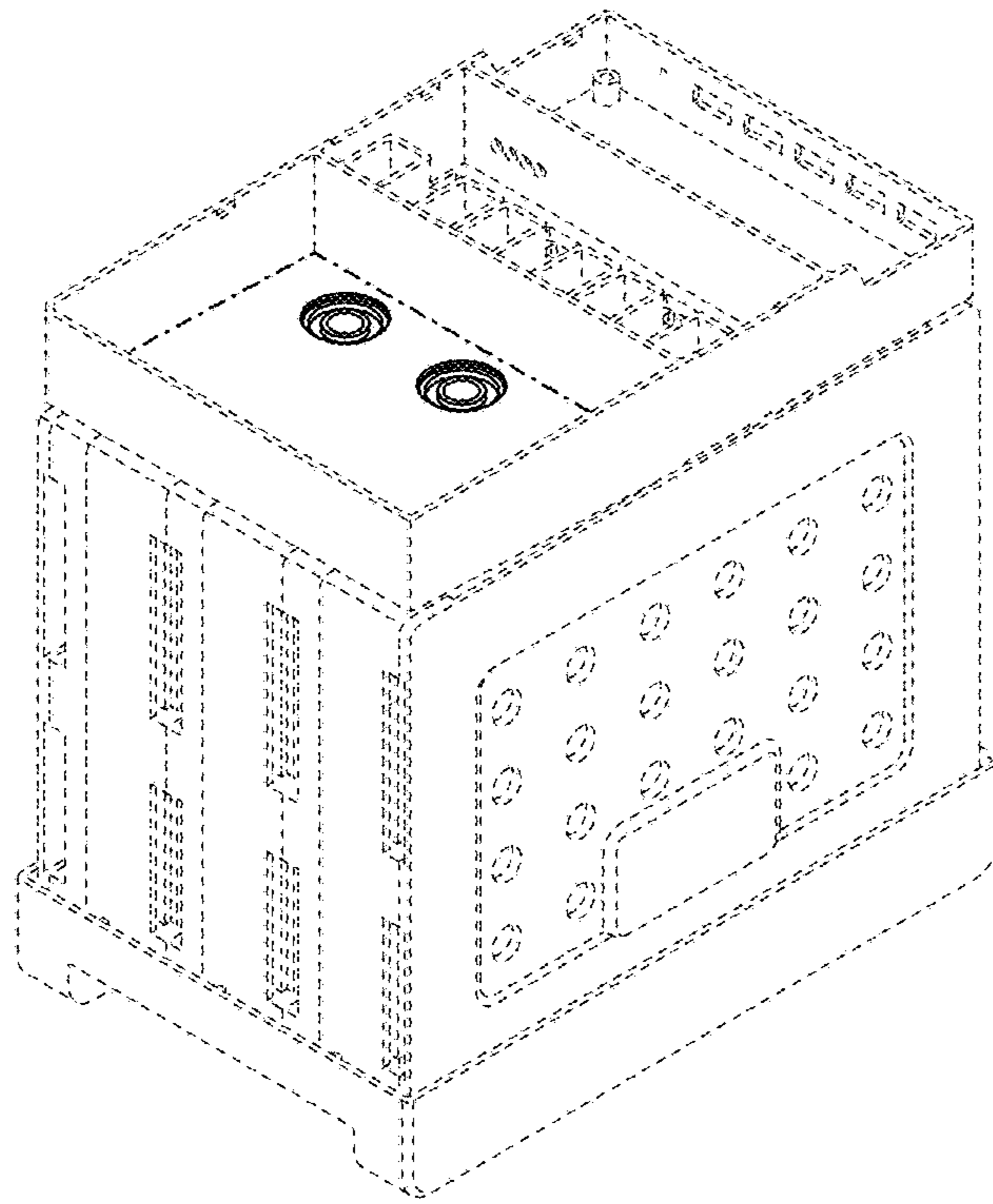


FIG. 1

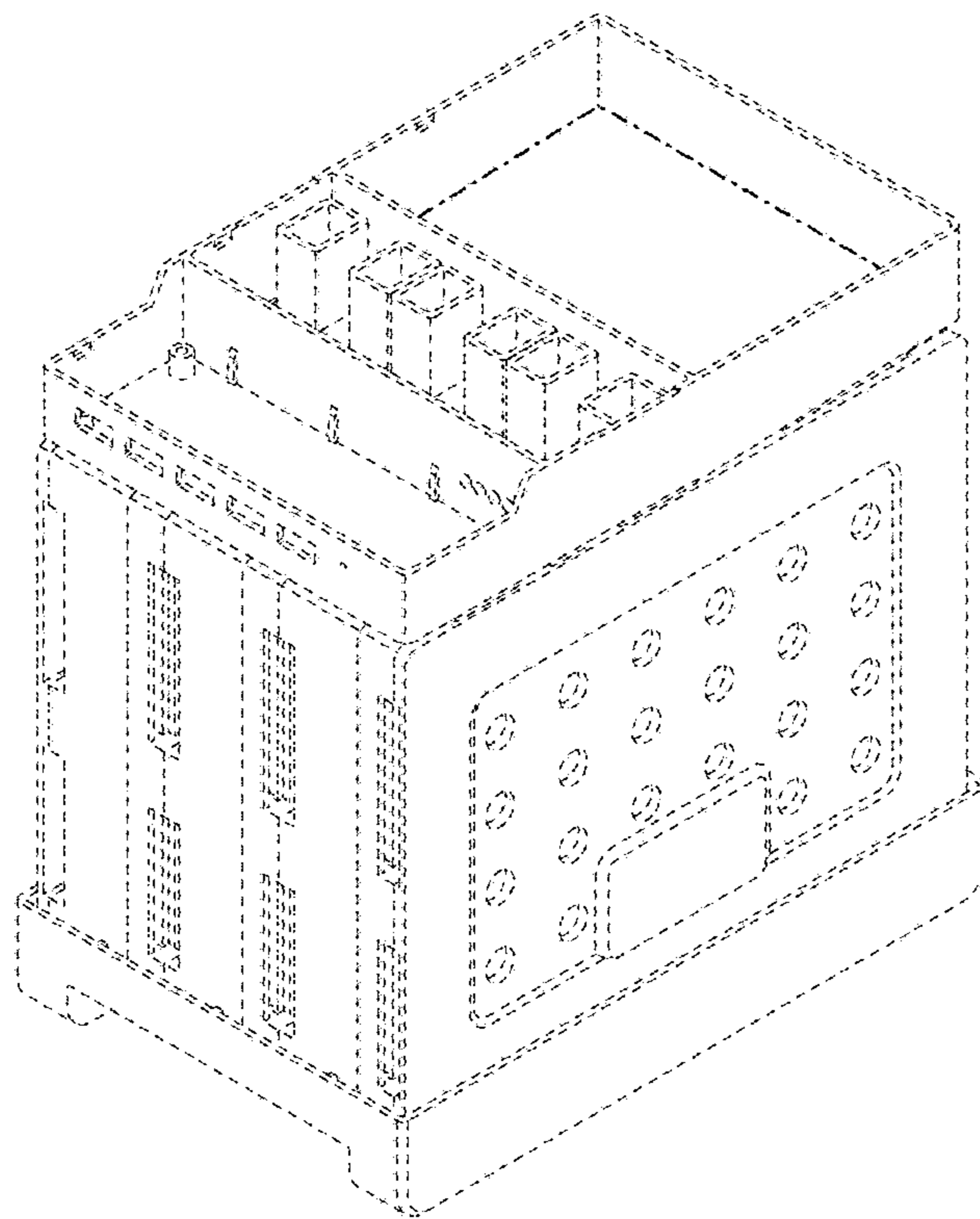


FIG. 2

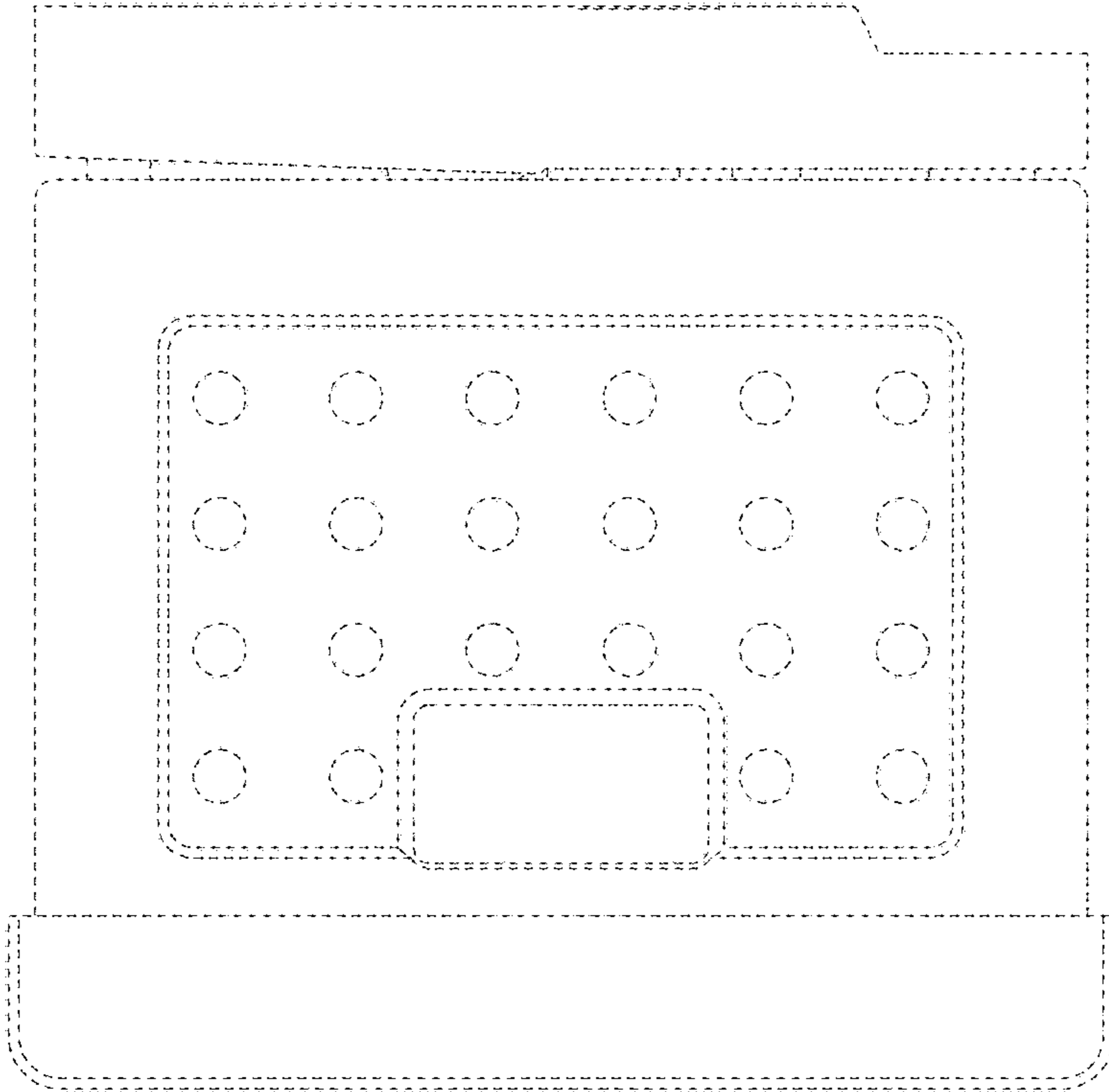


FIG. 3

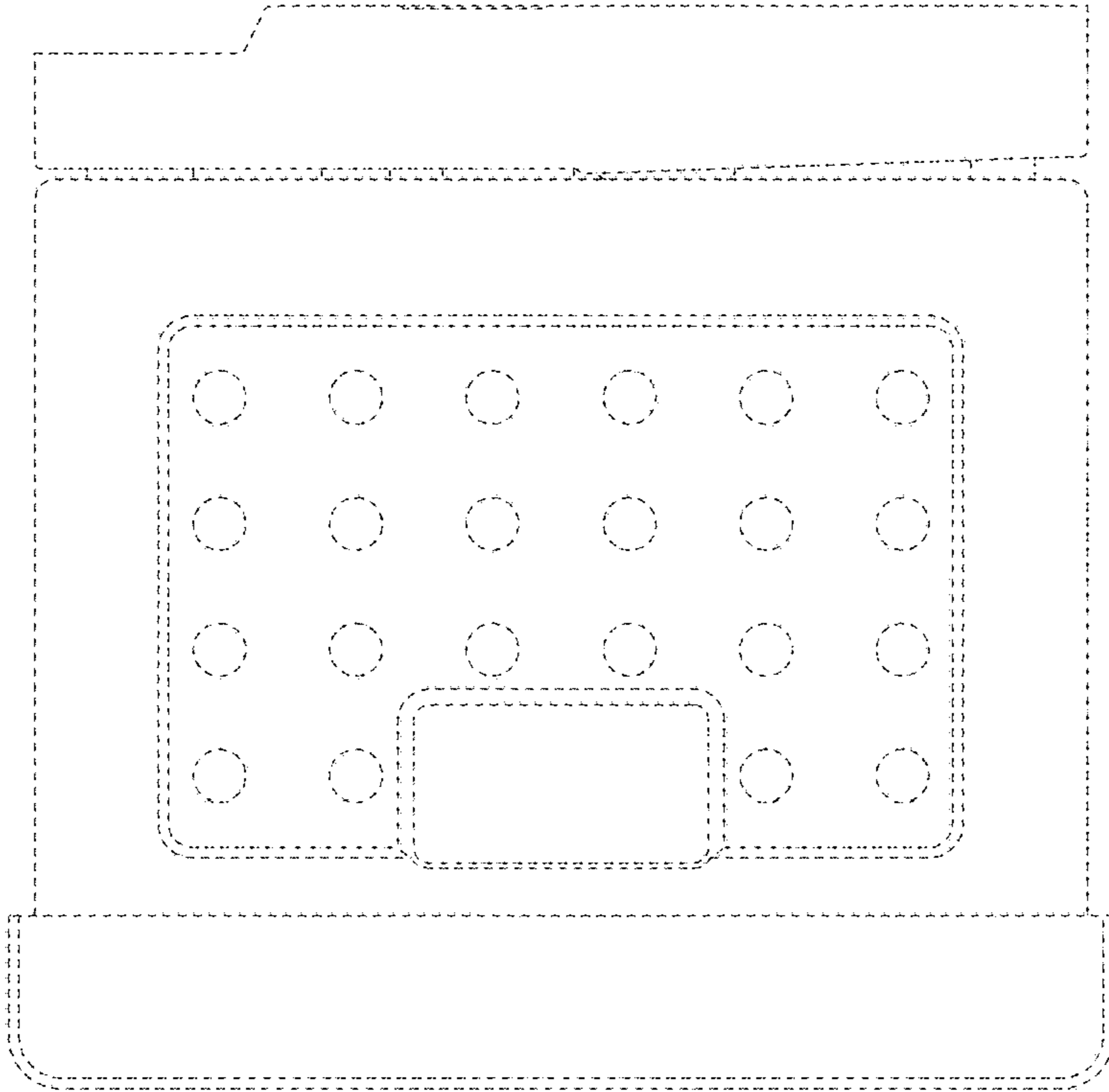


FIG. 4

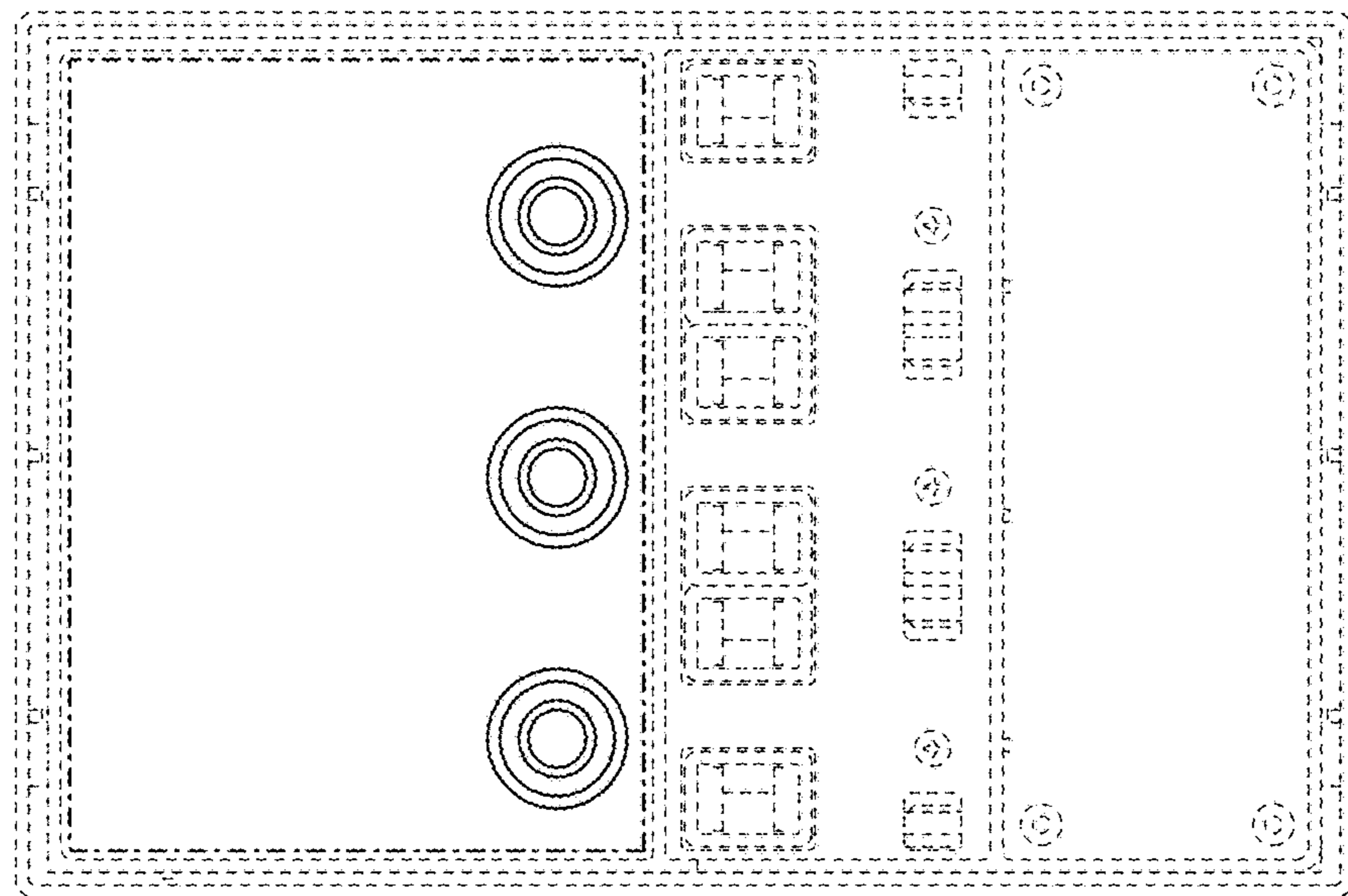


FIG. 5



FIG. 6

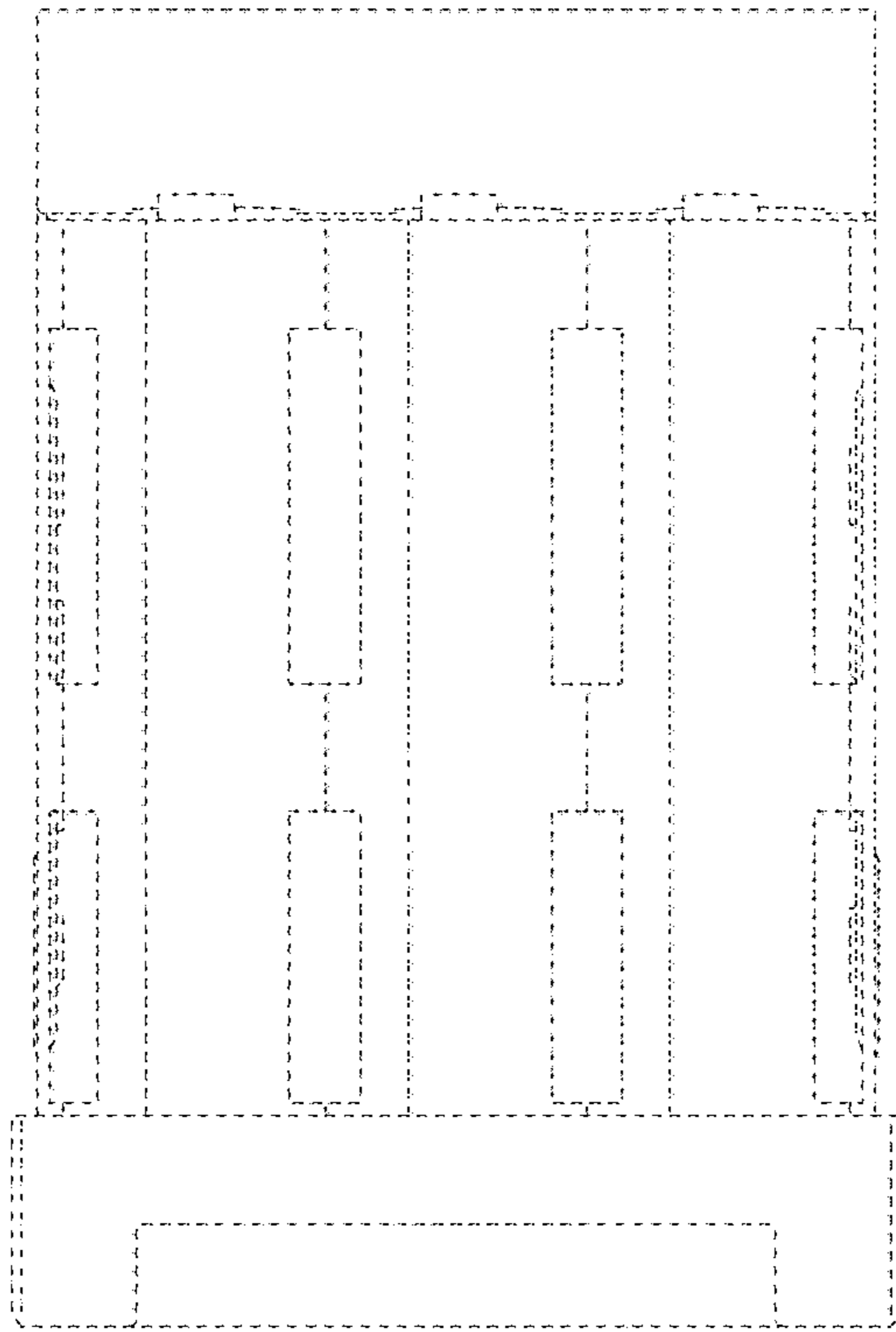


FIG. 7

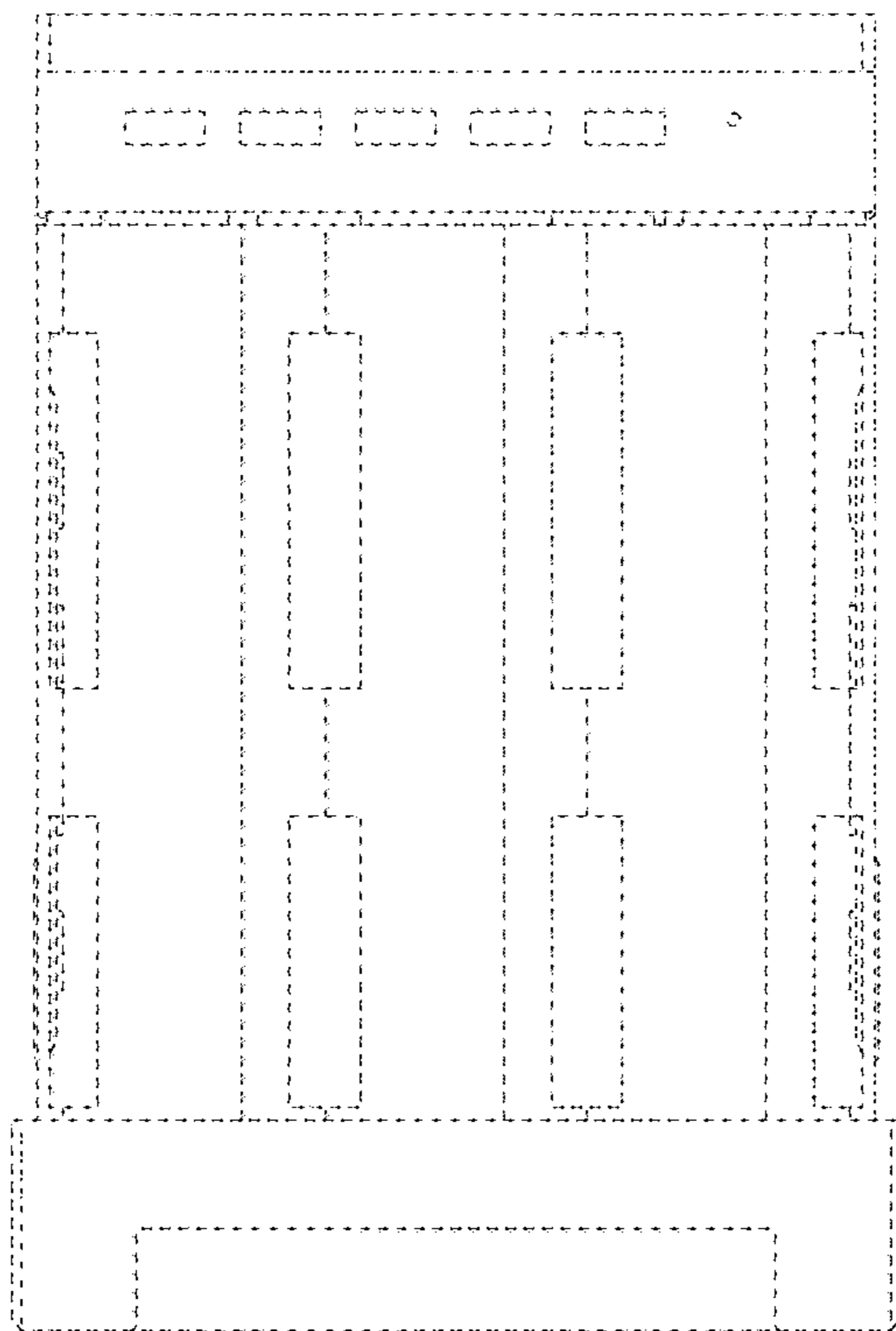


FIG. 8