



US00D823235S

(12) **United States Design Patent** (10) **Patent No.:** **US D823,235 S**
Lamb (45) **Date of Patent:** **** Jul. 17, 2018**

(54) **TIRE**
(71) Applicant: **CONTINENTAL REIFEN DEUTSCHLAND GMBH**, Hannover (DE)
(72) Inventor: **Matthew Lamb**, Waxhaw, NC (US)
(73) Assignee: **Continental Reifen Deutschland GmbH**, Hannover (DE)
(**) Term: **15 Years**
(21) Appl. No.: **29/595,368**
(22) Filed: **Feb. 28, 2017**
(51) **LOC (11) Cl.** **12-15**
(52) **U.S. Cl.**
USPC **D12/587**
(58) **Field of Classification Search**
USPC D12/586, 587, 588, 589, 590, 594, 600, D12/601
CPC B60C 2011/0388; B60C 11/04
See application file for complete search history.

D350,096 S * 8/1994 Brightwell D12/587
D364,133 S * 11/1995 Baus D12/586
D365,065 S * 12/1995 Galante D12/587
D367,455 S * 2/1996 Herberger D12/587
D388,035 S * 12/1997 Heinen D12/586
D624,873 S * 10/2010 Tamura D12/586
D783,515 S * 4/2017 Conzett D12/587

* cited by examiner

Primary Examiner — Robert M. Spear
(74) *Attorney, Agent, or Firm* — Laurence A. Greenberg; Werner H. Stemer; Ralph E. Locher

(57) **CLAIM**

The ornamental design for a tire, as shown and described.

DESCRIPTION

FIG. 1 is a front perspective view of the tire showing my new design;
FIG. 2 is a front elevation view thereof;
FIG. 3 is an enlarged partial front view thereof;
FIG. 4 is a left side elevation view thereof; and,
FIG. 5 is a right side elevation view thereof.
The dashed broken line represents the border to the unclaimed portion of the interior of the tire and forms no part of the claimed design. The dash-dot broken line shows the portion of the tire that is enlarged for the partial view of FIG. 3.

(56) **References Cited**

U.S. PATENT DOCUMENTS

D299,331 S * 1/1989 Wallet D12/504
D339,774 S * 9/1993 Shinohara D12/586

1 Claim, 5 Drawing Sheets





FIG. 1





FIG. 3

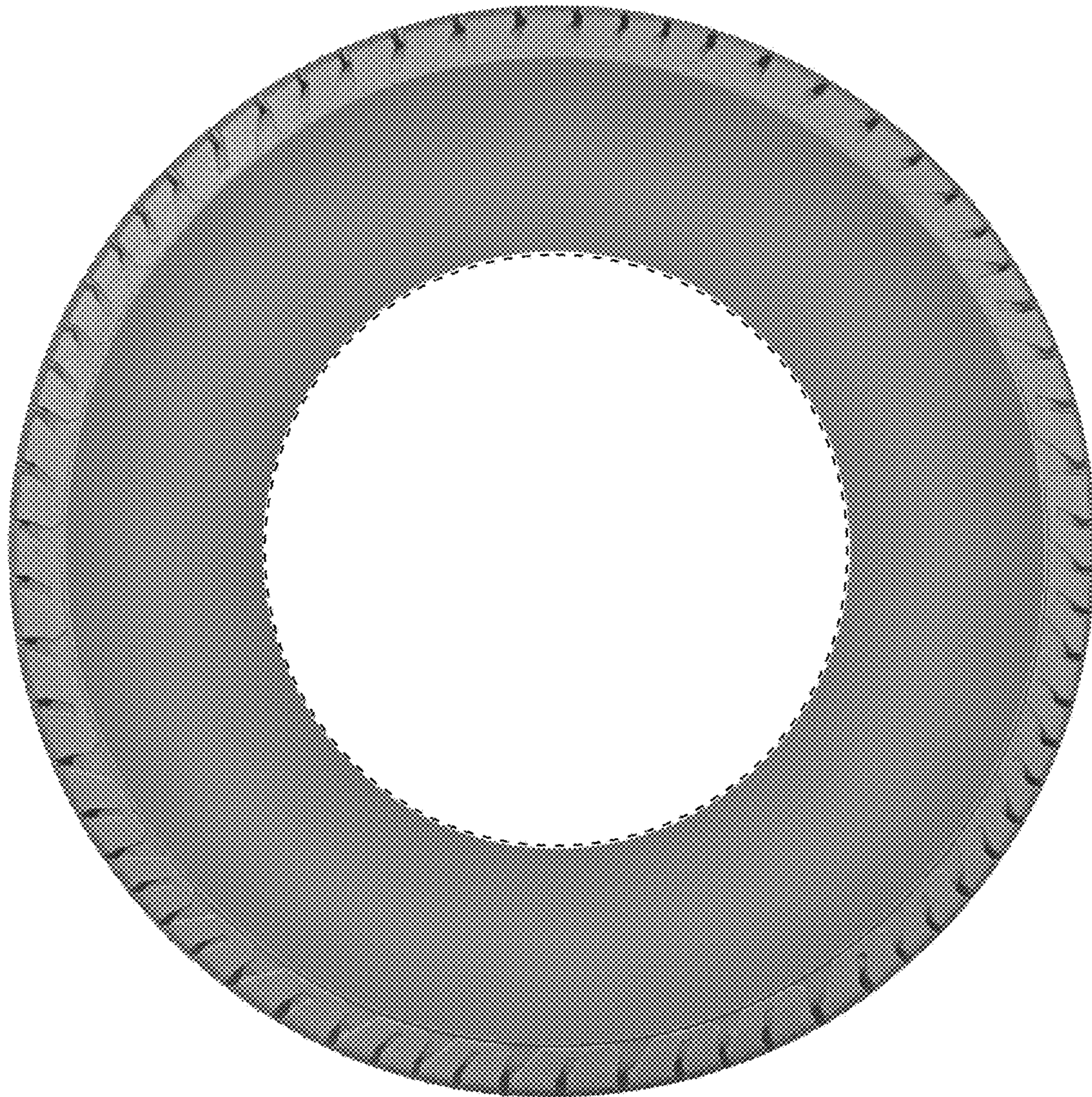


FIG. 4

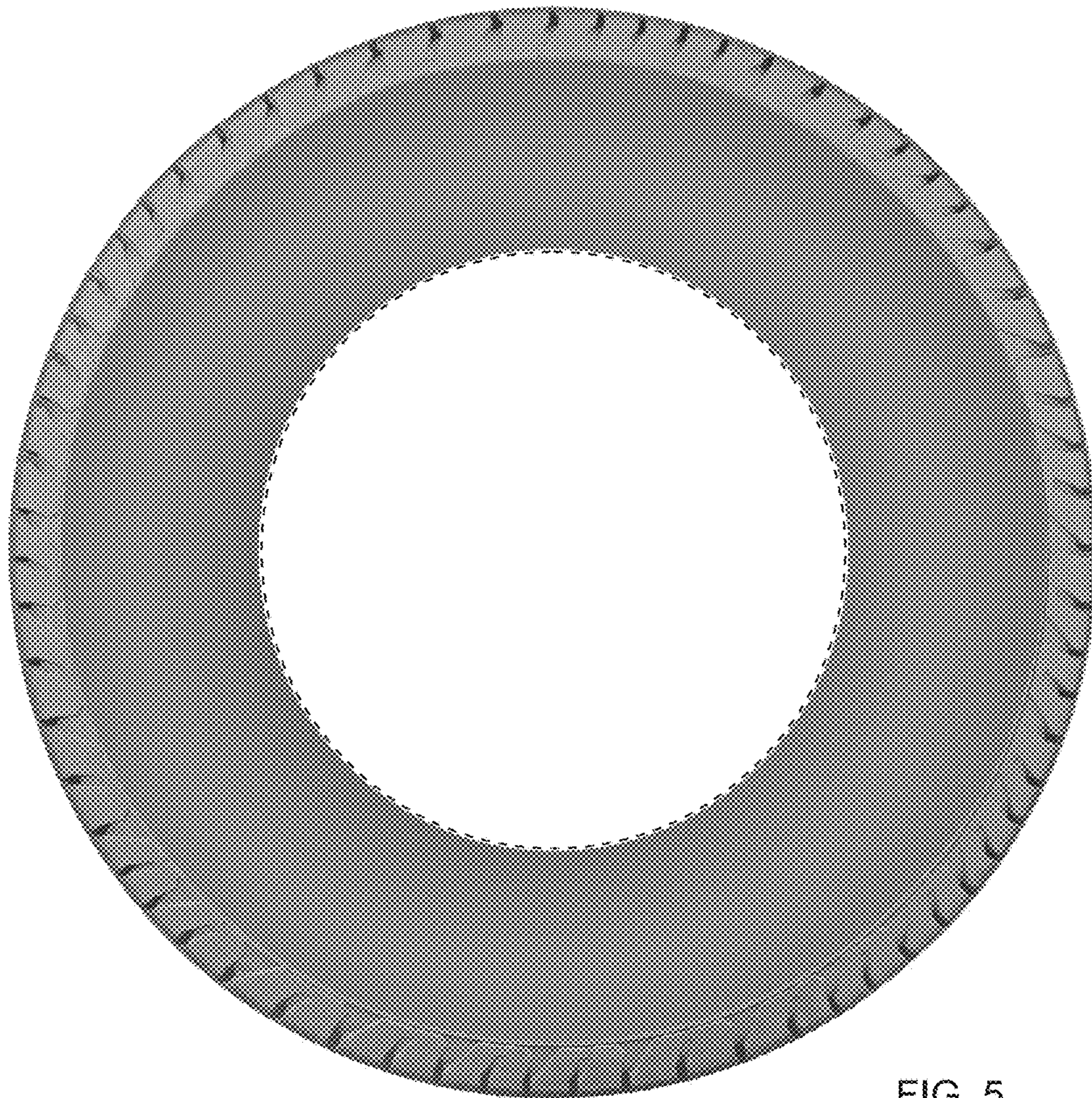


FIG. 5