



US00D823233S

(12) **United States Design Patent**  
**Fontaine et al.**

(10) **Patent No.:** **US D823,233 S**  
(45) **Date of Patent:** **\*\* Jul. 17, 2018**

- (54) **TIRE**
- (71) Applicant: **The Goodyear Tire & Rubber Company, Akron, OH (US)**
- (72) Inventors: **Sebastien Willy Fontaine, Vichten (LU); Armand Rene Gabriel Leconte, Bigonville (LU); Bingshan Han, Ettelbruck (LU); Mihir Singh Meetarbhan, Blaschette (LU); Alexander Ossipov, Leuven (BE); Frank Helmut Bucher, Konz (DE)**
- (73) Assignee: **The Goodyear Tire & Rubber Company, Akron, OH (US)**
- (\*\*) Term: **15 Years**
- (21) Appl. No.: **29/596,389**
- (22) Filed: **Mar. 8, 2017**
- (51) **LOC (11) Cl.** ..... **12-15**
- (52) **U.S. Cl.**  
USPC ..... **D12/519**
- (58) **Field of Classification Search**  
USPC ..... D12/500-532, 604  
CPC ..... Y10T 152/10027; B60C 1/0016; B60C 11/0306; B60C 11/0302; B60C 3/06; B60C 9/17  
See application file for complete search history.

- D606,002 S \* 12/2009 Yamakawa ..... D12/519
- D610,962 S 3/2010 Allison et al. .... D12/532
- D619,958 S 7/2010 Maxwell ..... D12/586

(Continued)

*Primary Examiner* — Lakiya G Rogers  
*Assistant Examiner* — John A Voytek  
(74) *Attorney, Agent, or Firm* — Robert N. Lipsik

(57) **CLAIM**

The ornamental Design for a tire, as shown and described.

**DESCRIPTION**

FIG. 1 is a perspective view of a tire showing our new design, it being understood that the pattern repeats uniformly throughout the circumference of the tread;  
 FIG. 2 is a left side perspective view thereof;  
 FIG. 3 is a front elevational view thereof;  
 FIG. 4 is a right side elevational view thereof;  
 FIG. 5 is a left side elevational view thereof;  
 FIG. 6 is an enlarged fragmentary front elevational view thereof;  
 FIG. 7 is a perspective view of a second embodiment of a tire showing our new design, it being understood that the interior of the tire forms no part of the claim and that the pattern repeats uniformly throughout the circumference of the tread;  
 FIG. 8 is a left side perspective view of a second embodiment, it being understood that the interior of the tire forms no part of the claim; and,  
 FIG. 9 is a front elevational view of a second embodiment, it being understood that an enlarged fragmentary view thereof would be substantially identical to that shown in FIG. 6 with the exception of the inclusion of the sidewall in solid lines.

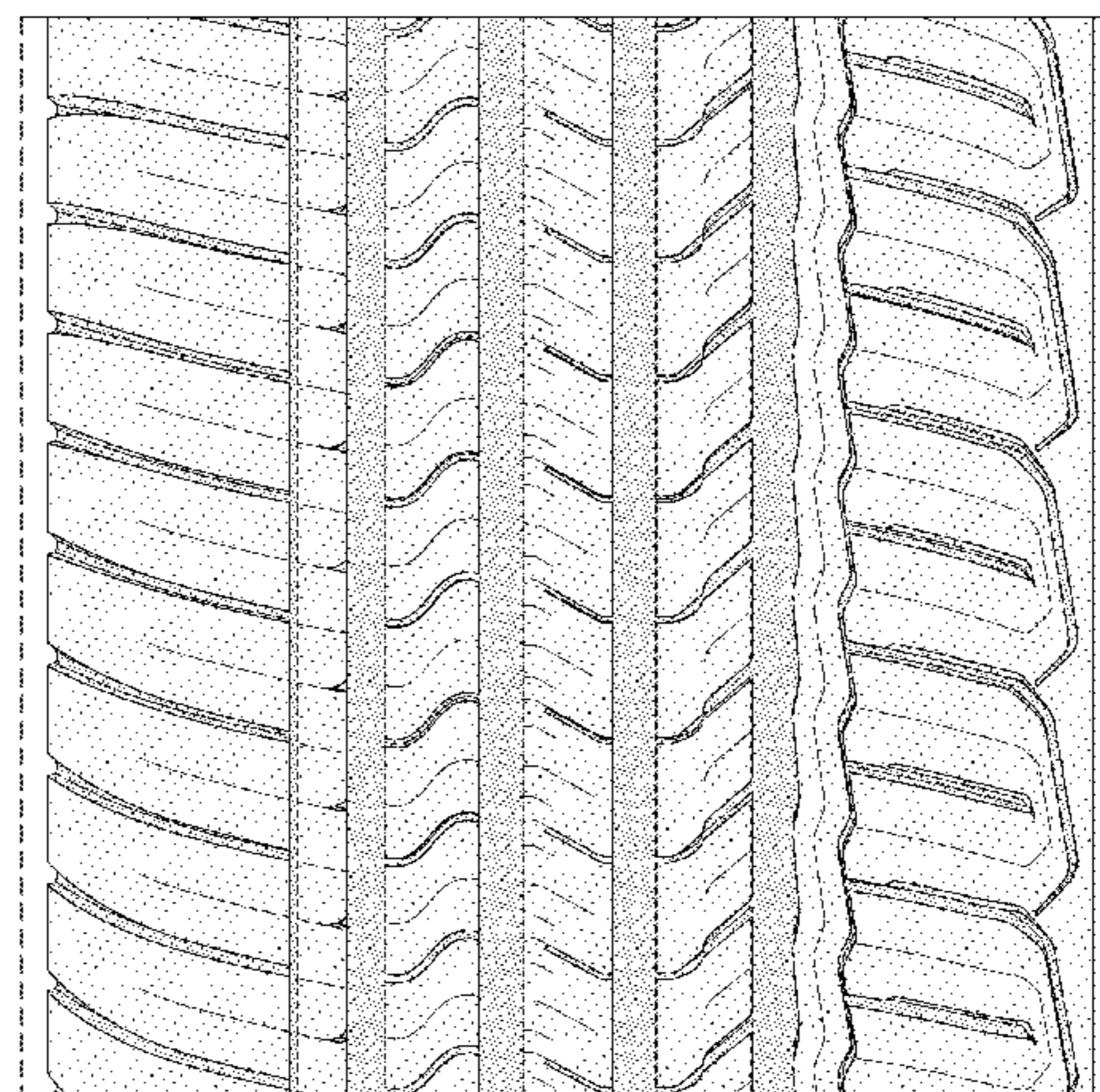
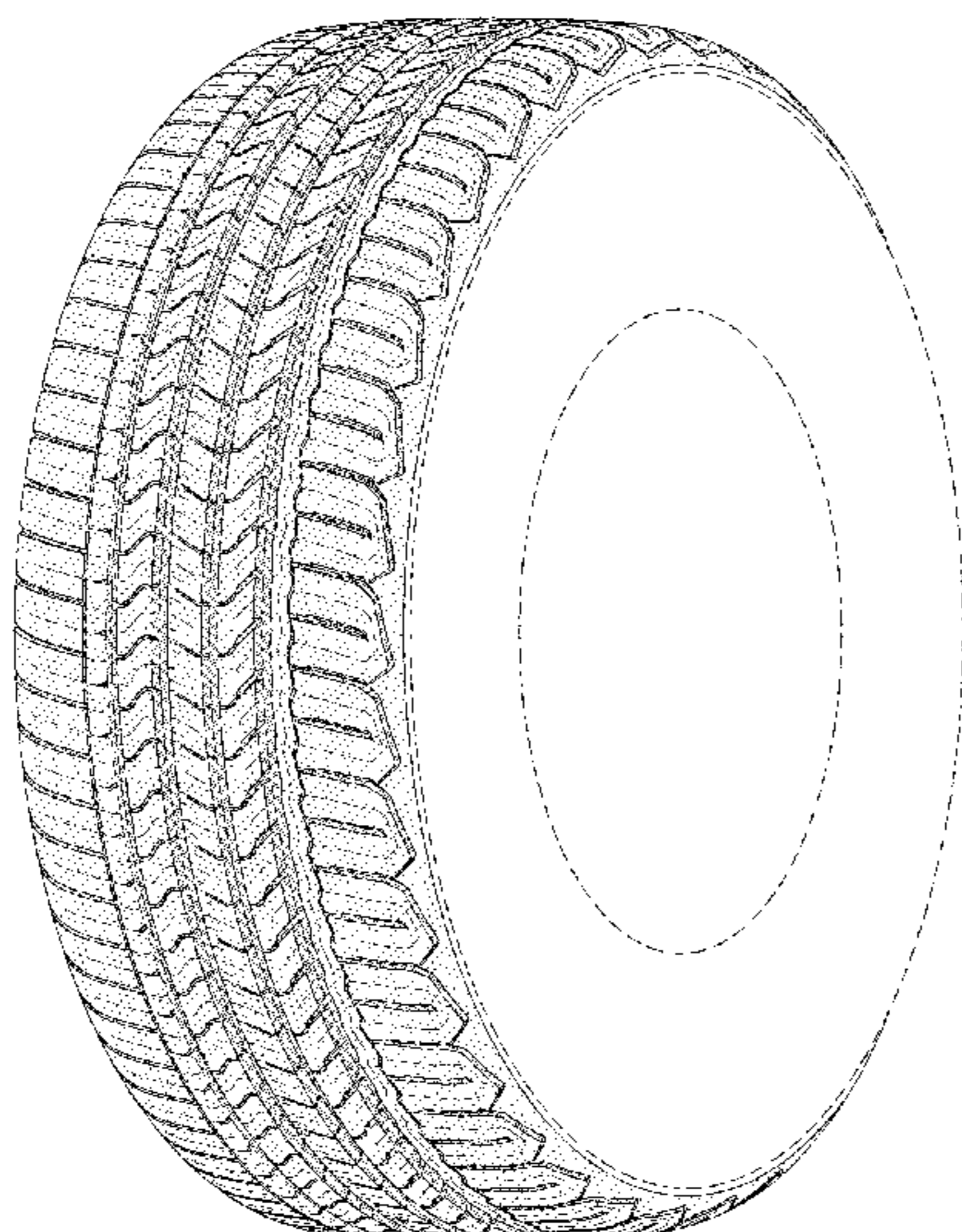
In the drawings, the broken lines immediately adjacent to the outer edges of the tire shoulder represent boundaries of the claim, and the broken lines depict environmental subject matter only and form no part of the claimed design.

**1 Claim, 9 Drawing Sheets**

(56) **References Cited**

**U.S. PATENT DOCUMENTS**

- D560,599 S 1/2008 Dixon et al. .... D12/587
- D560,600 S 1/2008 Dixon et al. .... D12/588
- D583,307 S 12/2008 Heinen et al. .... D12/585
- D583,310 S 12/2008 Dixon et al. .... D12/588
- D586,733 S 2/2009 Shinohara ..... D12/588
- D595,220 S 6/2009 Maxwell ..... D12/590
- D597,474 S \* 8/2009 Yamakawa ..... D12/519
- D601,939 S \* 10/2009 Fontaine ..... D12/519



(56)

**References Cited**

U.S. PATENT DOCUMENTS

D644,592 S *	9/2011	Grabo .....	D12/519
D651,553 S *	1/2012	Knowles .....	D12/518
D659,084 S	5/2012	Graas et al. ....	D12/590
D666,137 S	8/2012	Sieber et al. ....	D12/517
D696,621 S	12/2013	Harvey et al. ....	D12/516
D706,708 S	6/2014	Fontaine et al. ....	D12/583
D710,787 S *	8/2014	Dixon .....	D12/521
D713,325 S *	9/2014	Maxwell .....	D12/521
D736,697 S	8/2015	Leocadio et al. ....	D12/601
D743,872 S *	11/2015	Huang .....	D12/519
D760,155 S	6/2016	Fontaine et al. ....	D12/601
D773,977 S	12/2016	Dixon et al. ....	D12/521
D800,636 S *	10/2017	Morita .....	D12/516

\* cited by examiner



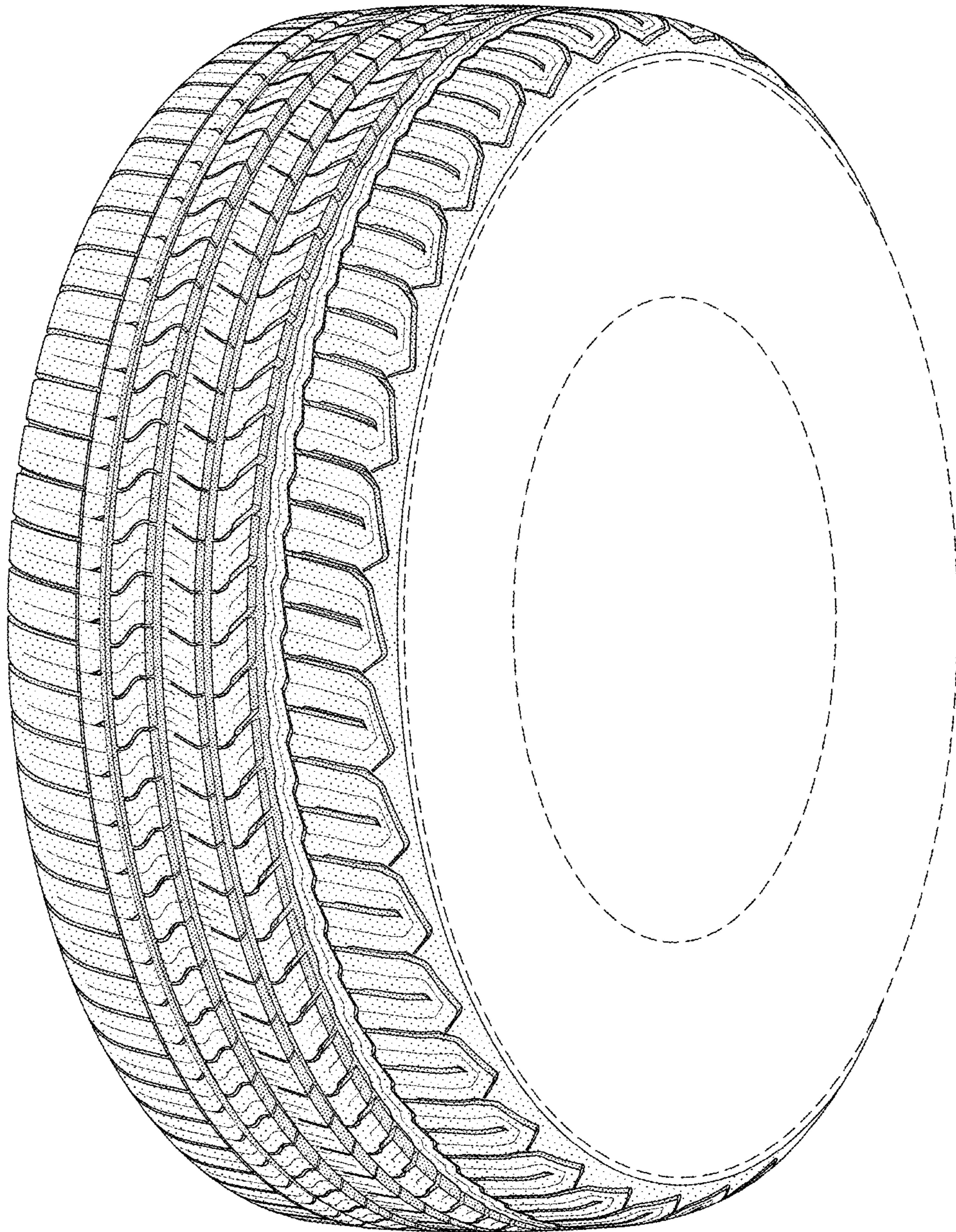


FIG-1



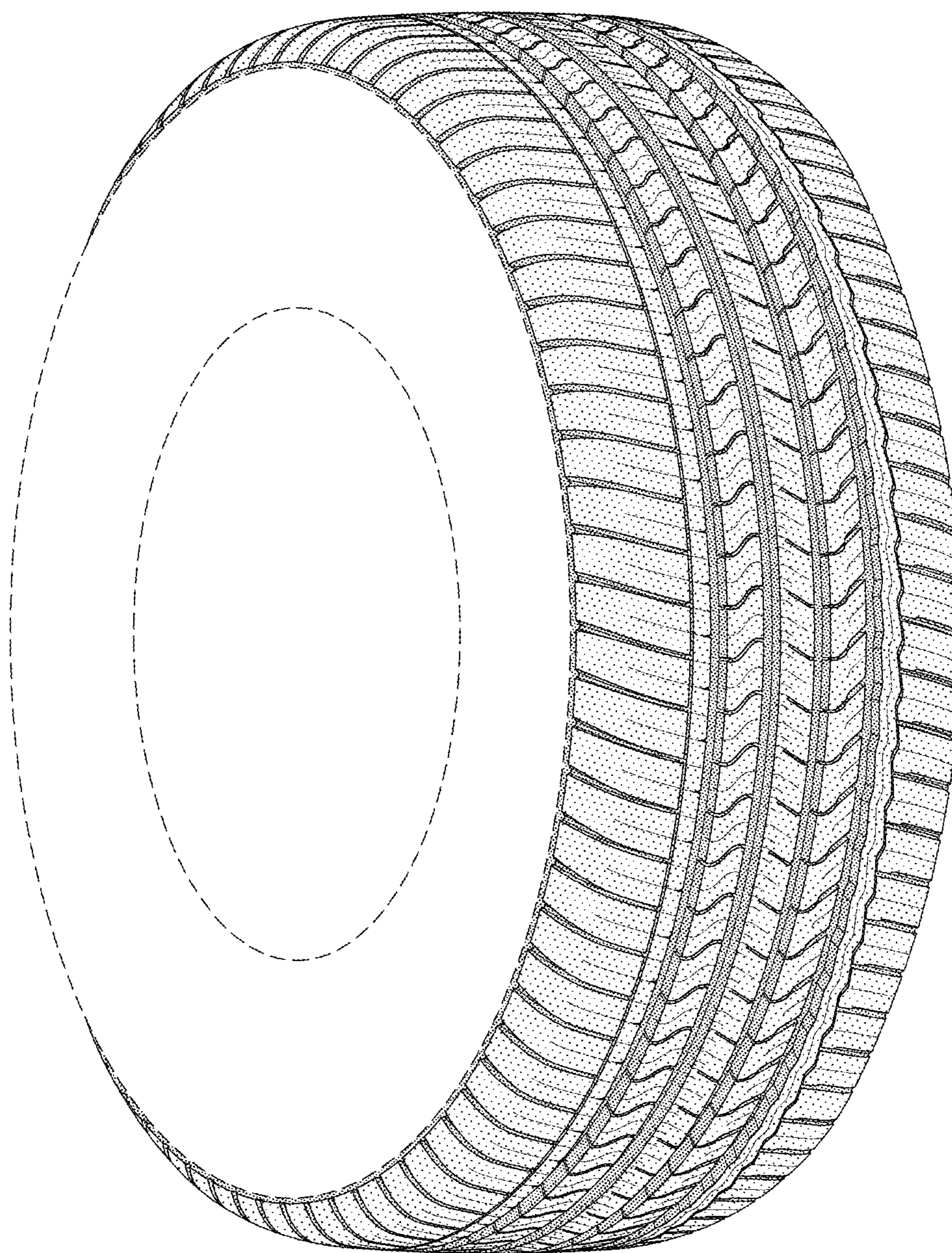


FIG-2



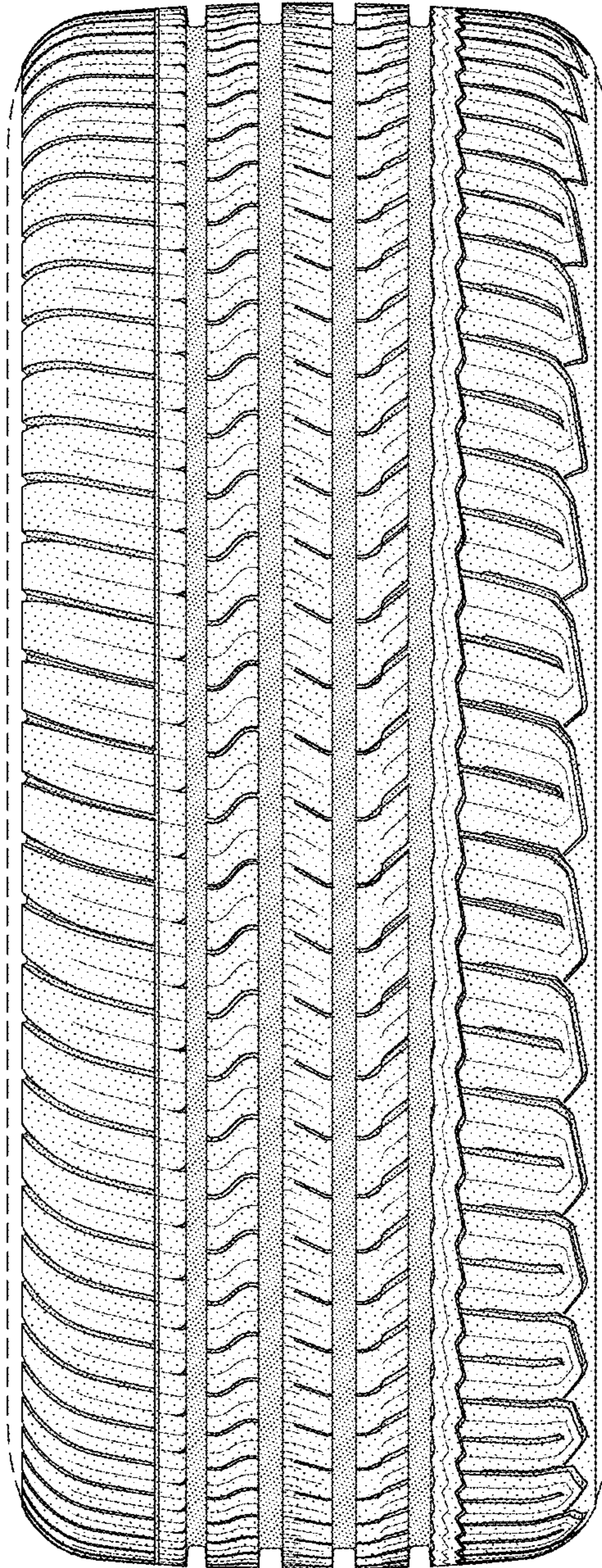


FIG-3

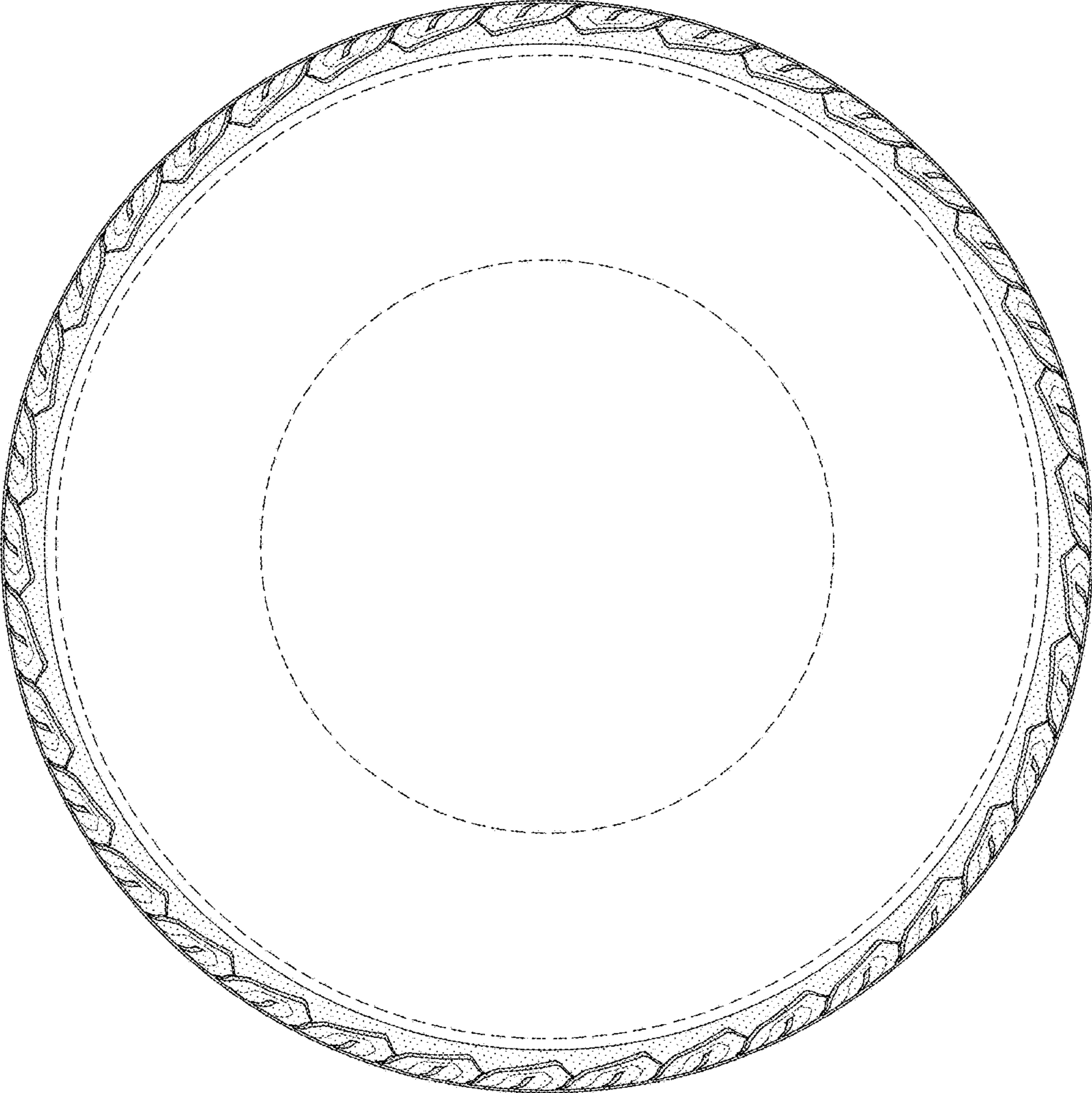


FIG-4



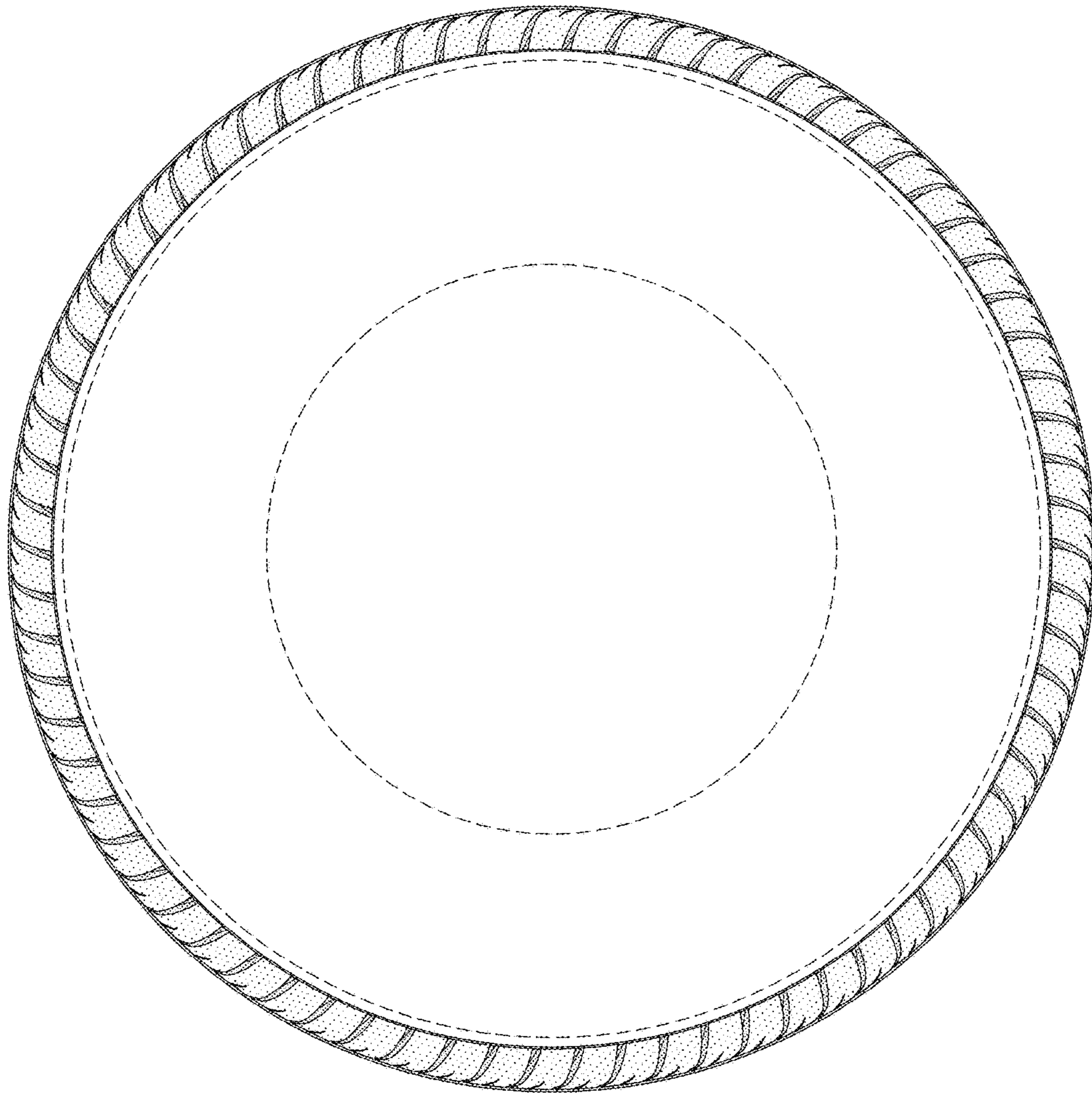


FIG-5

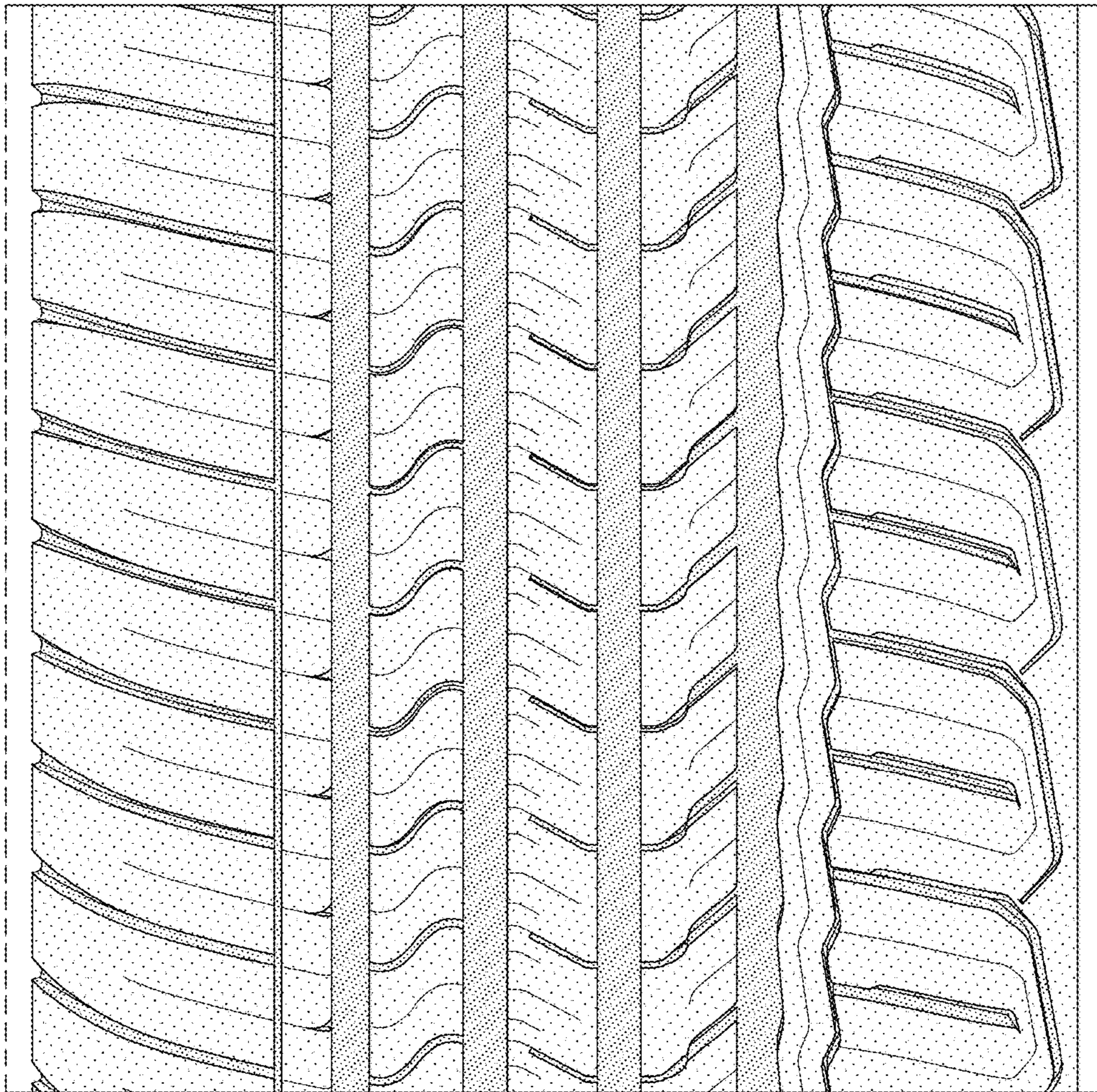


FIG-6



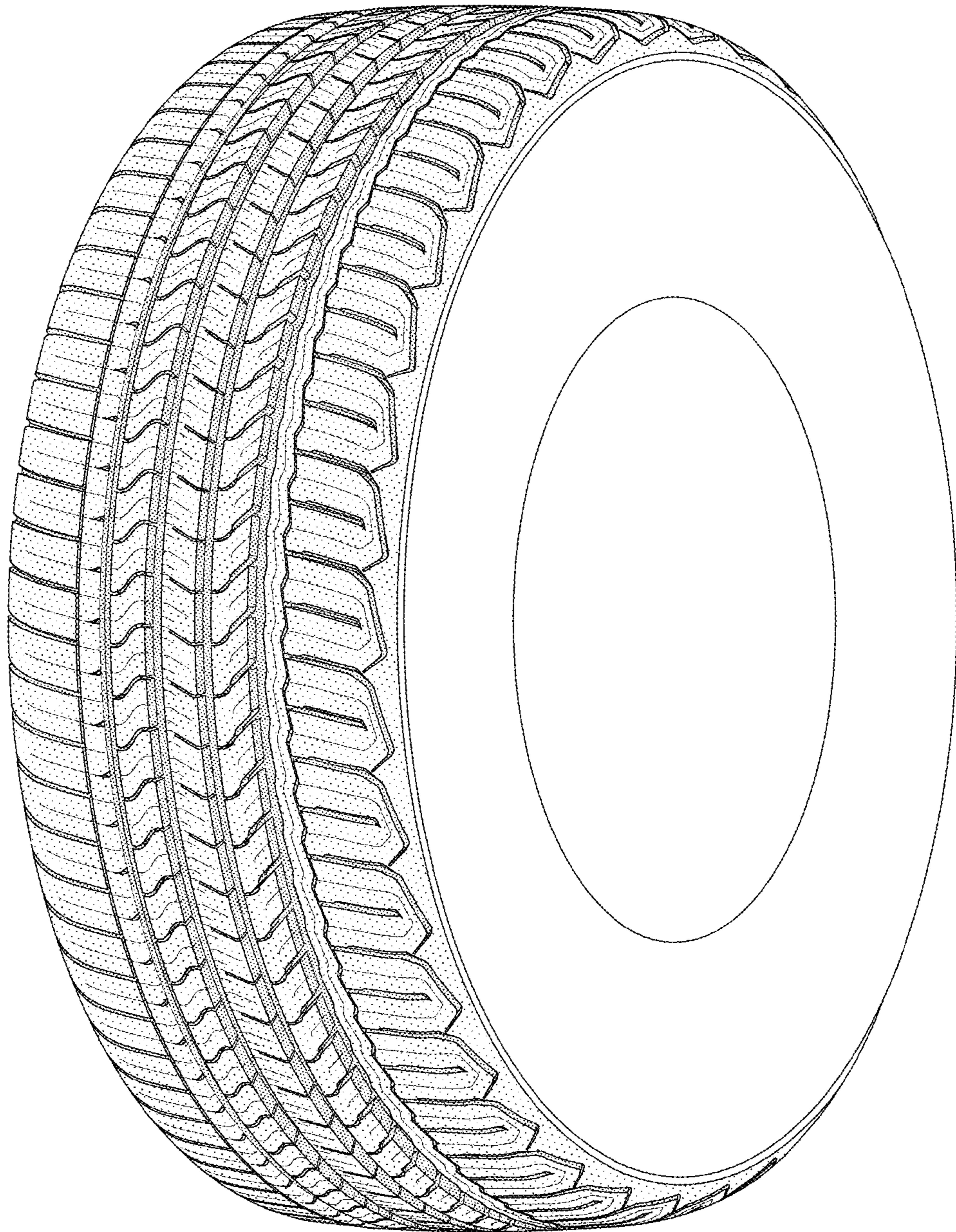


FIG-7



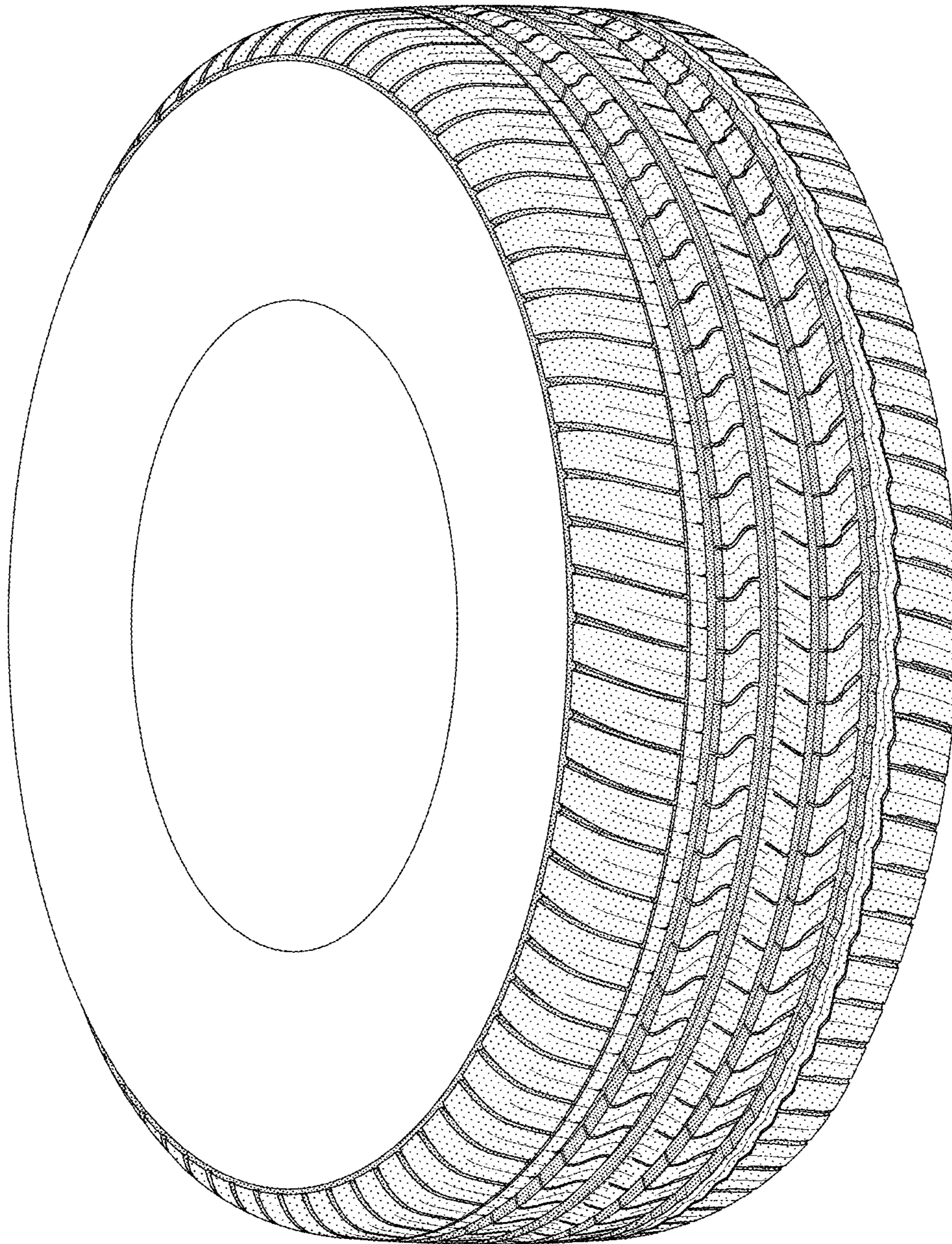


FIG-8



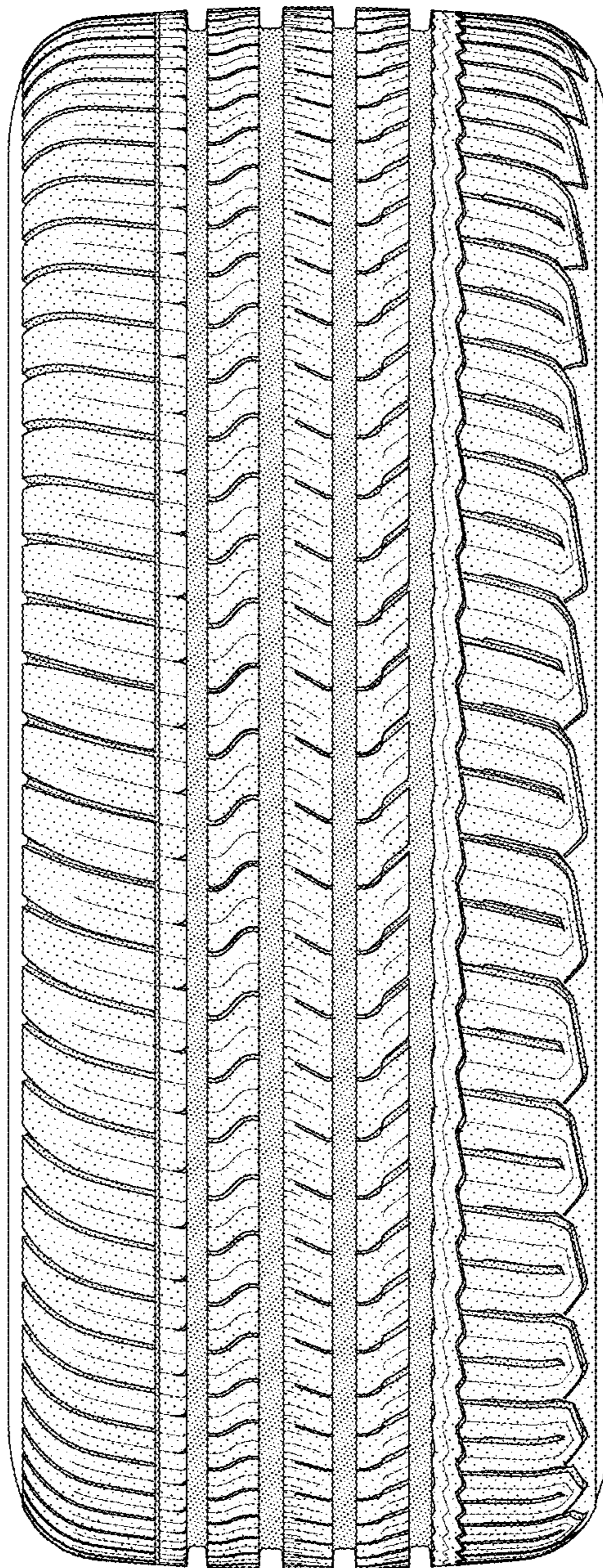


FIG-9