



US00D823231S

(12) **United States Design Patent** (10) **Patent No.:** **US D823,231 S**
Yancey (45) **Date of Patent:** **** Jul. 17, 2018**

(54) **COMPRESSIBLE VEHICLE DOOR STORAGE ORGANIZER**

(71) Applicant: **Jacob A. Yancey**, Benton, AR (US)

(72) Inventor: **Jacob A. Yancey**, Benton, AR (US)

(**) Term: **15 Years**

(21) Appl. No.: **29/642,317**

(22) Filed: **Mar. 28, 2018**

(51) **LOC (11) Cl.** **12-16**

(52) **U.S. Cl.**
USPC **D12/415**

(58) **Field of Classification Search**
USPC D12/415, 416-420, 400, 191, 423;
D6/513, 514, 611, 553, 556, 559
CPC .. B60R 7/04; B60R 7/08; B60R 11/02; B60R
2011/005; B60K 35/00
See application file for complete search history.

(56) **References Cited**

U.S. PATENT DOCUMENTS

D255,310	S	*	6/1980	Spencer	D7/553.5
D272,299	S	*	1/1984	Benson	D12/345
D299,287	S		1/1989	Gertler		
D338,780	S	*	8/1993	Rance	D12/416
D346,402	S	*	4/1994	Hassel	D19/75
D355,217	S	*	2/1995	Luna	D19/78
5,509,633	A		4/1996	Ruster et al.		
D387,024	S	*	12/1997	Hellhake	D12/195
D398,577	S	*	9/1998	Dandino, III	D12/415
6,050,468	A		4/2000	Kelly		

6,698,703	B2		3/2004	Li		
D548,156	S	*	8/2007	Elwell	D12/195
D552,022	S	*	10/2007	Elwell	D12/195
D556,109	S	*	11/2007	Elwell	D12/195
7,322,500	B2		1/2008	Maierholzner		
9,162,627	B2		10/2015	Greiner et al.		
D771,547	S	*	11/2016	Sandys	D12/422
9,694,731	B2		7/2017	Hipshier et al.		
D793,948	S		8/2017	Nunez et al.		
2007/0221804	A1		9/2007	Harshman et al.		
2013/0075351	A1		3/2013	Lueker		
2017/0267185	A1		9/2017	Stojkovic		

* cited by examiner

Primary Examiner — Katrina Ann Betton

(74) *Attorney, Agent, or Firm* — Christopher Pilling

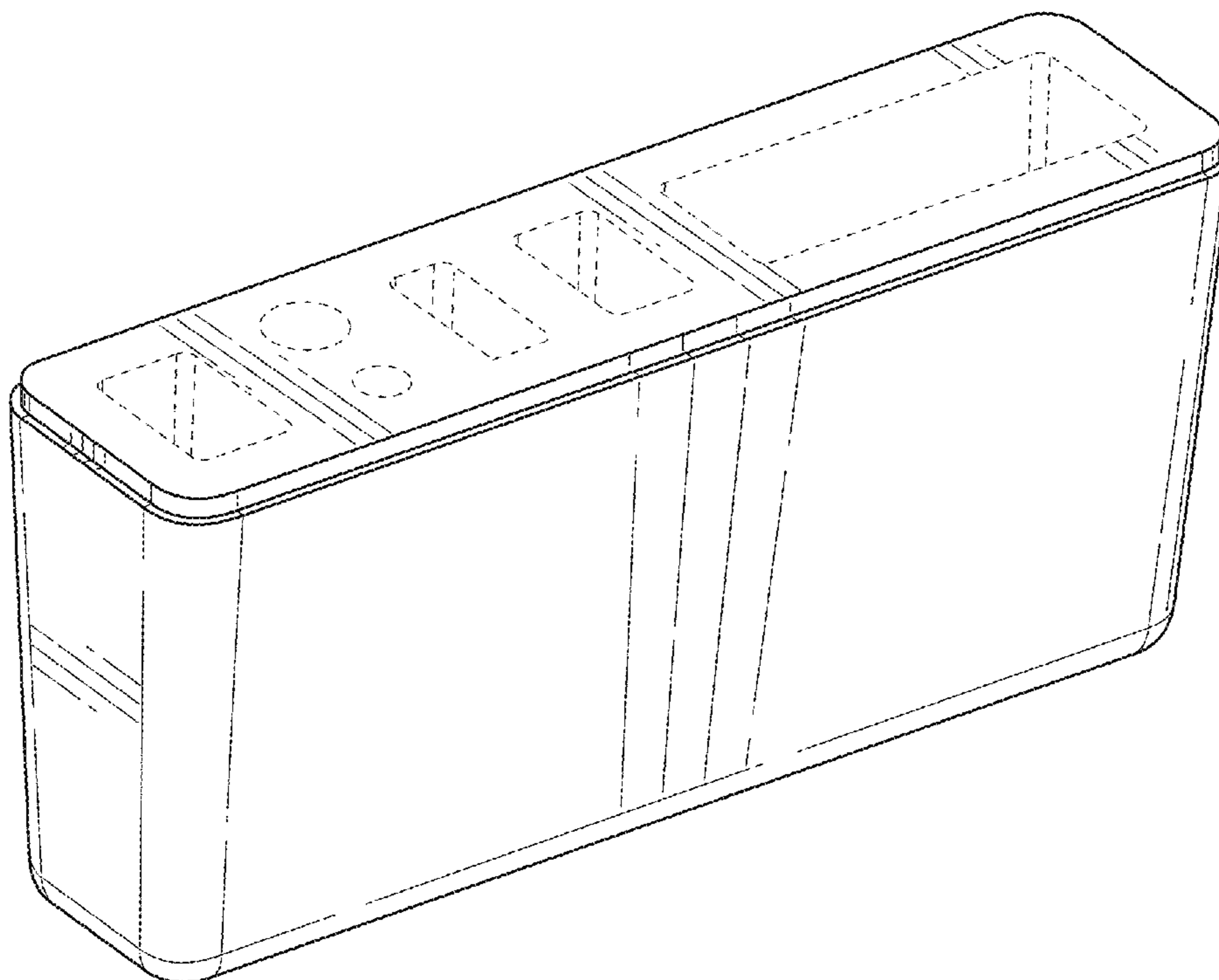
(57) **CLAIM**

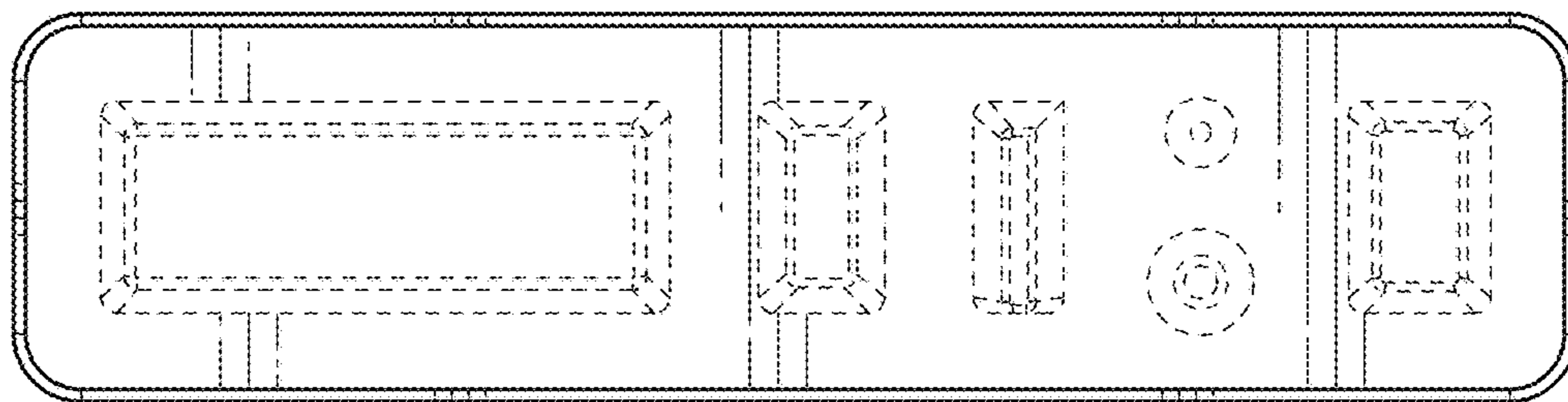
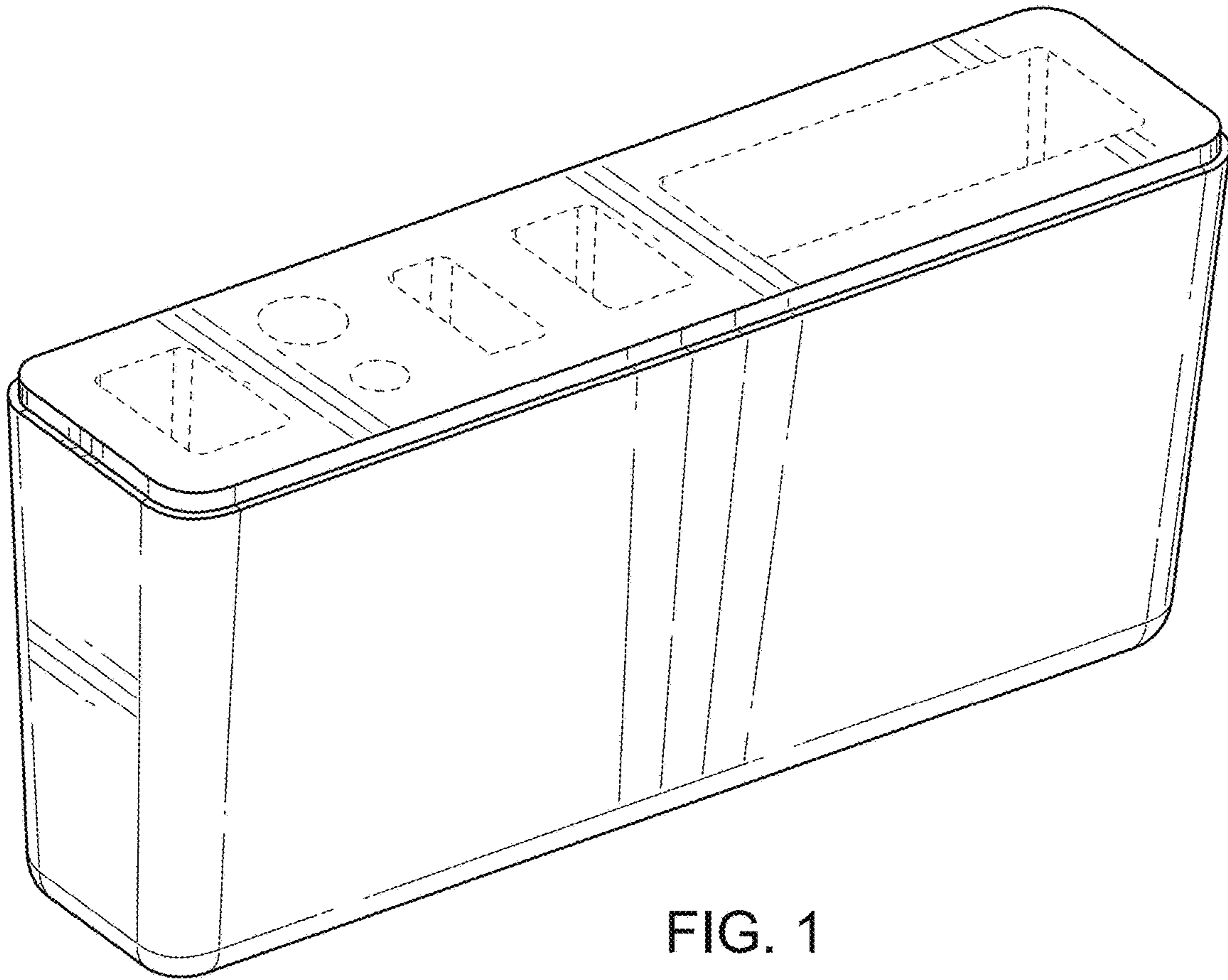
I claim the ornamental design for a compressible vehicle door storage organizer, as shown and described.

DESCRIPTION

FIG. 1 is a perspective view showing my new design of a compressible vehicle door storage organizer;
FIG. 2 is top plan view thereof;
FIG. 3 is front elevational view thereof, the rear elevational view being identical thereof; and,
FIG. 4 is a left side elevational view thereof, the right side elevational being identical thereof.
In the drawings, the broken lines depict portions of the article that form no part of the claimed design.

1 Claim, 2 Drawing Sheets





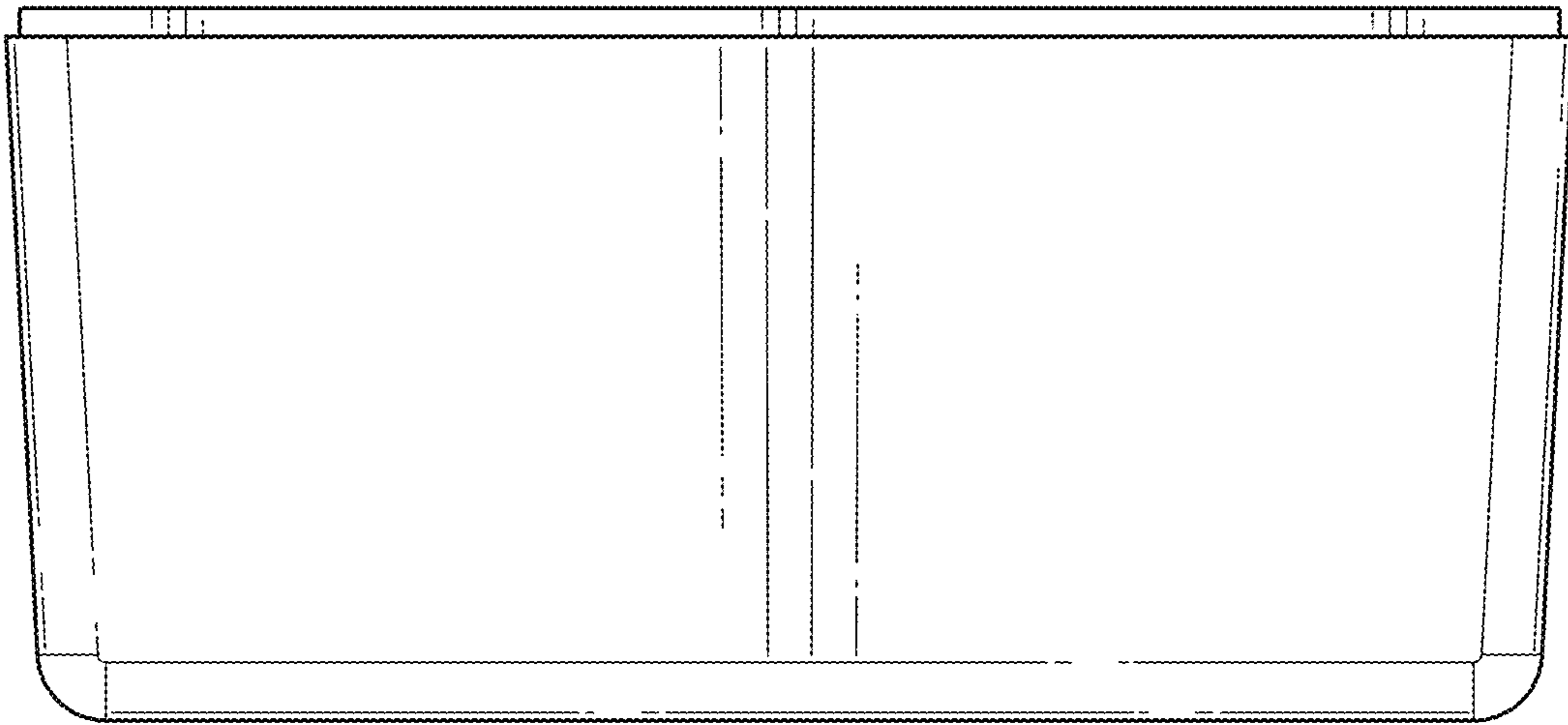


FIG. 3

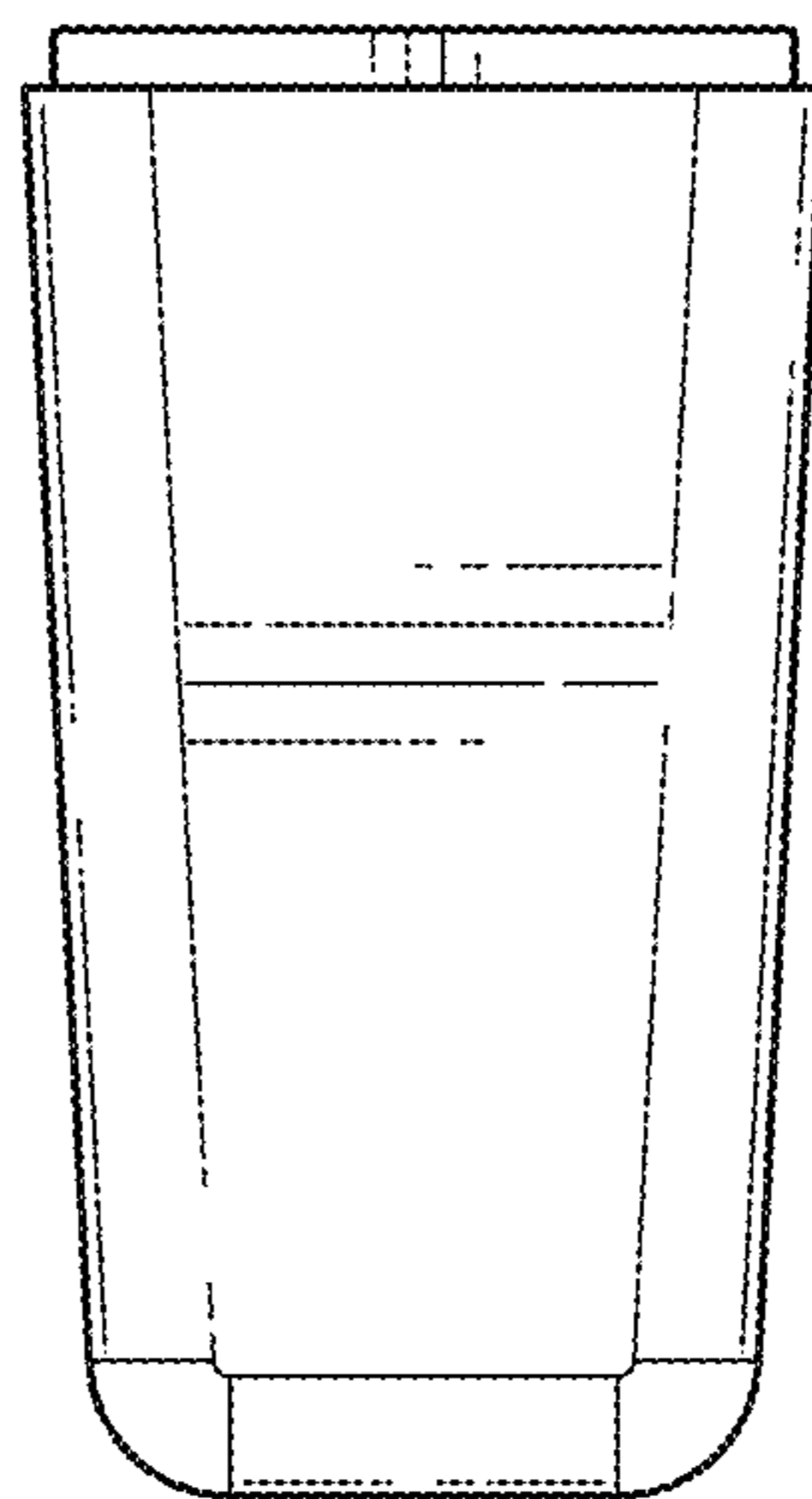


FIG. 4