



US00D823230S

(12) **United States Design Patent**
Galib

(10) **Patent No.:** **US D823,230 S**

(45) **Date of Patent:** **** Jul. 17, 2018**

(54) **CONSOLE UNIT FOR A VEHICLE**

(71) Applicant: **Deere & Company**, Moline, IL (US)

(72) Inventor: **Mohammed Shuja Galib**, Araria (IN)

(73) Assignee: **Deere & Company**, Moline, IL (US)

(**) Term: **15 Years**

(21) Appl. No.: **29/600,379**

(22) Filed: **Apr. 12, 2017**

(30) **Foreign Application Priority Data**

Oct. 28, 2016 (IN) 288209

(51) **LOC (11) Cl.** **12-16**

(52) **U.S. Cl.**
USPC **D12/415**

(58) **Field of Classification Search**
USPC D7/701, 619.1-625; D21/421
CPC B60N 2/46
See application file for complete search history.

(56) **References Cited**

U.S. PATENT DOCUMENTS

D522,957 S * 6/2006 Miyashita D12/415
D568,232 S * 5/2008 Motozaki D12/421

D718,218 S * 11/2014 Tanaka D12/424
D724,521 S * 3/2015 Ashley D12/419
D725,583 S * 3/2015 Seki D12/419
D766,811 S * 9/2016 Shouno D12/419
D766,812 S * 9/2016 Kabata D12/423
D770,968 S * 11/2016 Willis D12/415
D781,210 S * 3/2017 Itou D12/419
D808,330 S * 1/2018 Kuwahara D12/419

* cited by examiner

Primary Examiner — Katrina A Betton

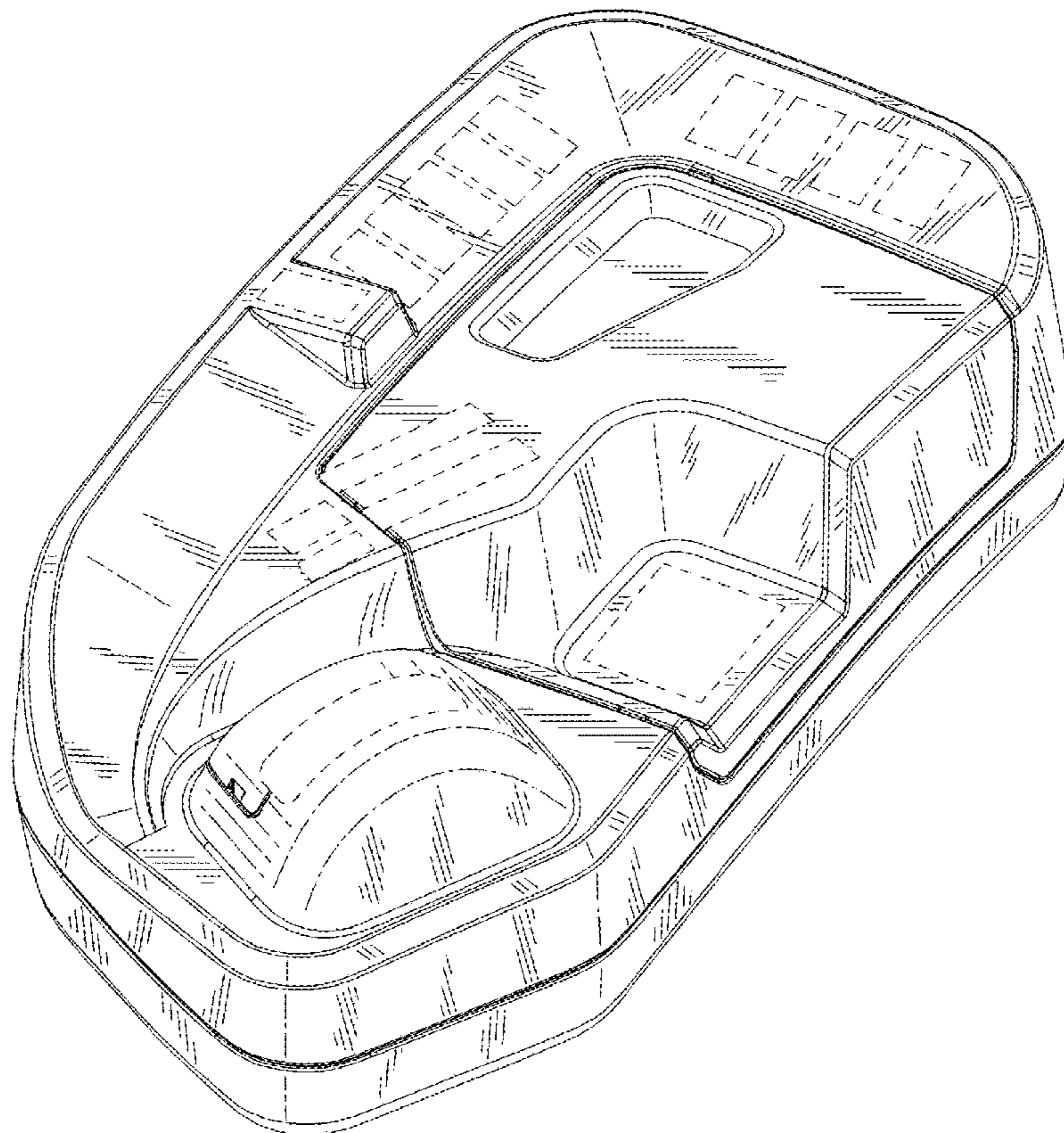
(57) **CLAIM**

The ornamental design for a console unit for a vehicle, as shown and described.

DESCRIPTION

FIG. 1 is a top, front, left perspective view of a console unit for a vehicle embodying our new design; FIG. 2 is a left side elevational view thereof; FIG. 3 is a right side elevational view thereof; FIG. 4 is a front elevational view thereof; FIG. 5 is a rear elevational view thereof; FIG. 6 is a top plan view thereof; and, FIG. 7 is a bottom plan view thereof. In the drawings, the broken lines in Figs. depict portions of the article that form no part of the claimed design.

1 Claim, 7 Drawing Sheets



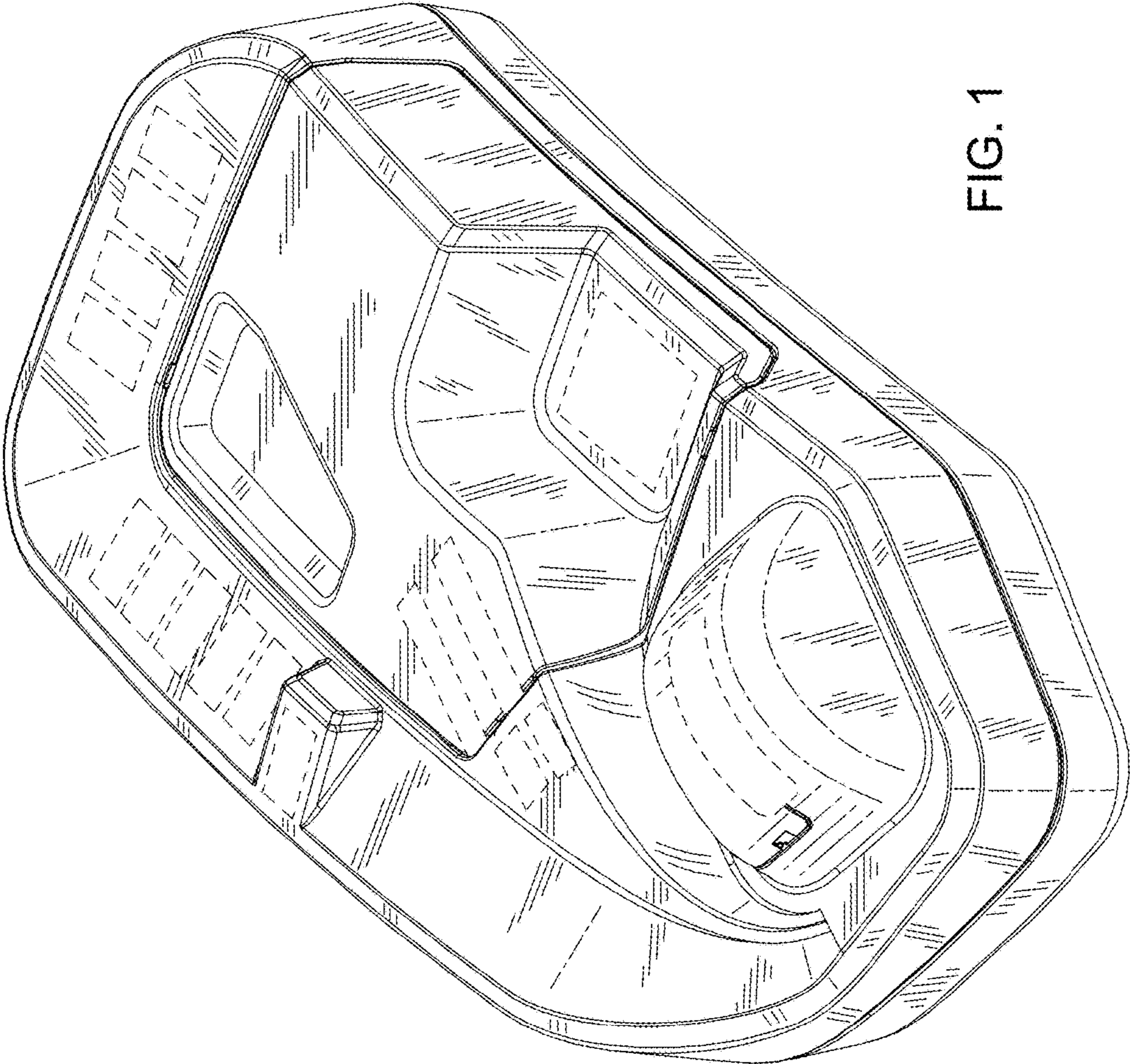


FIG. 1

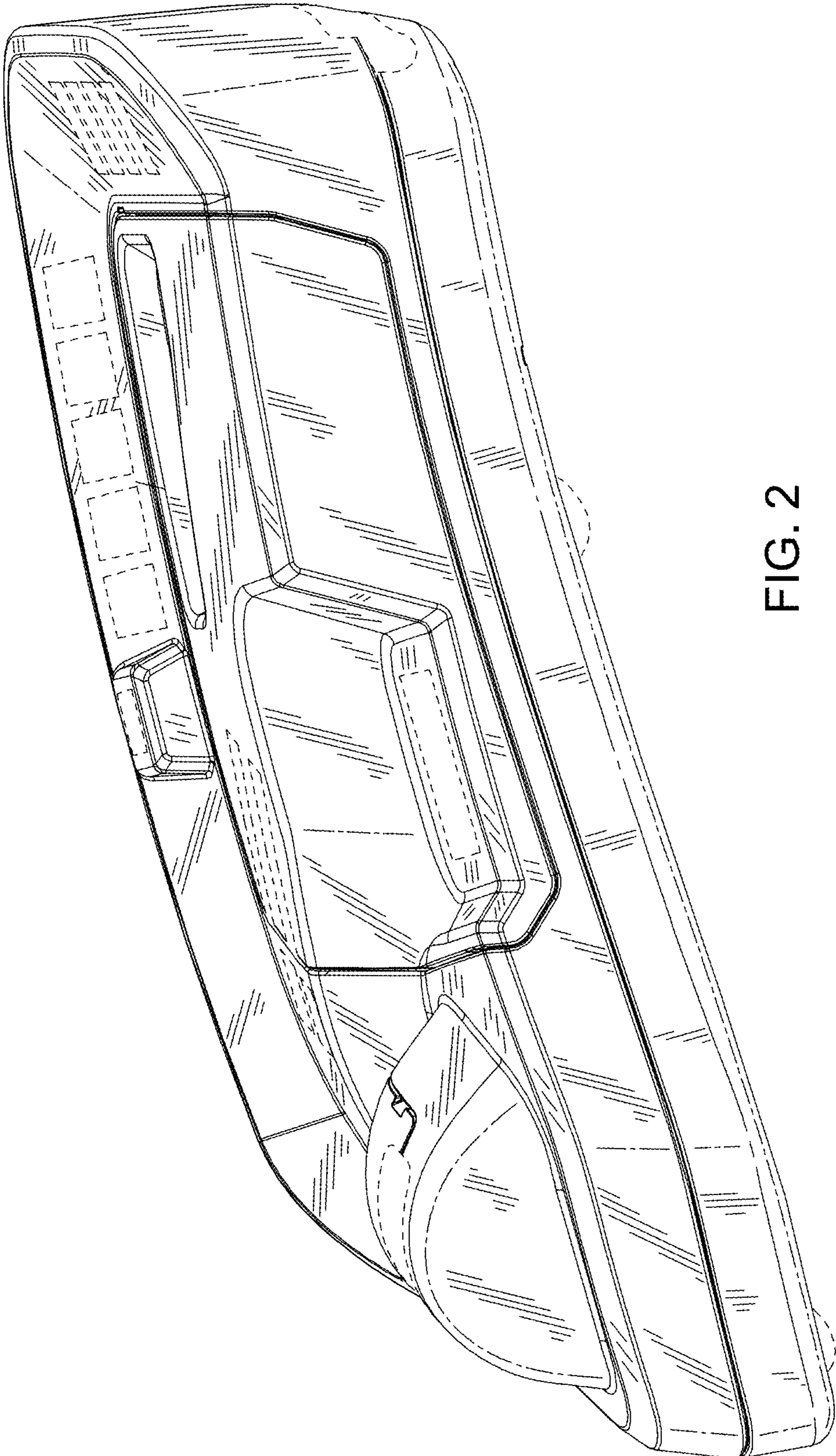


FIG. 2

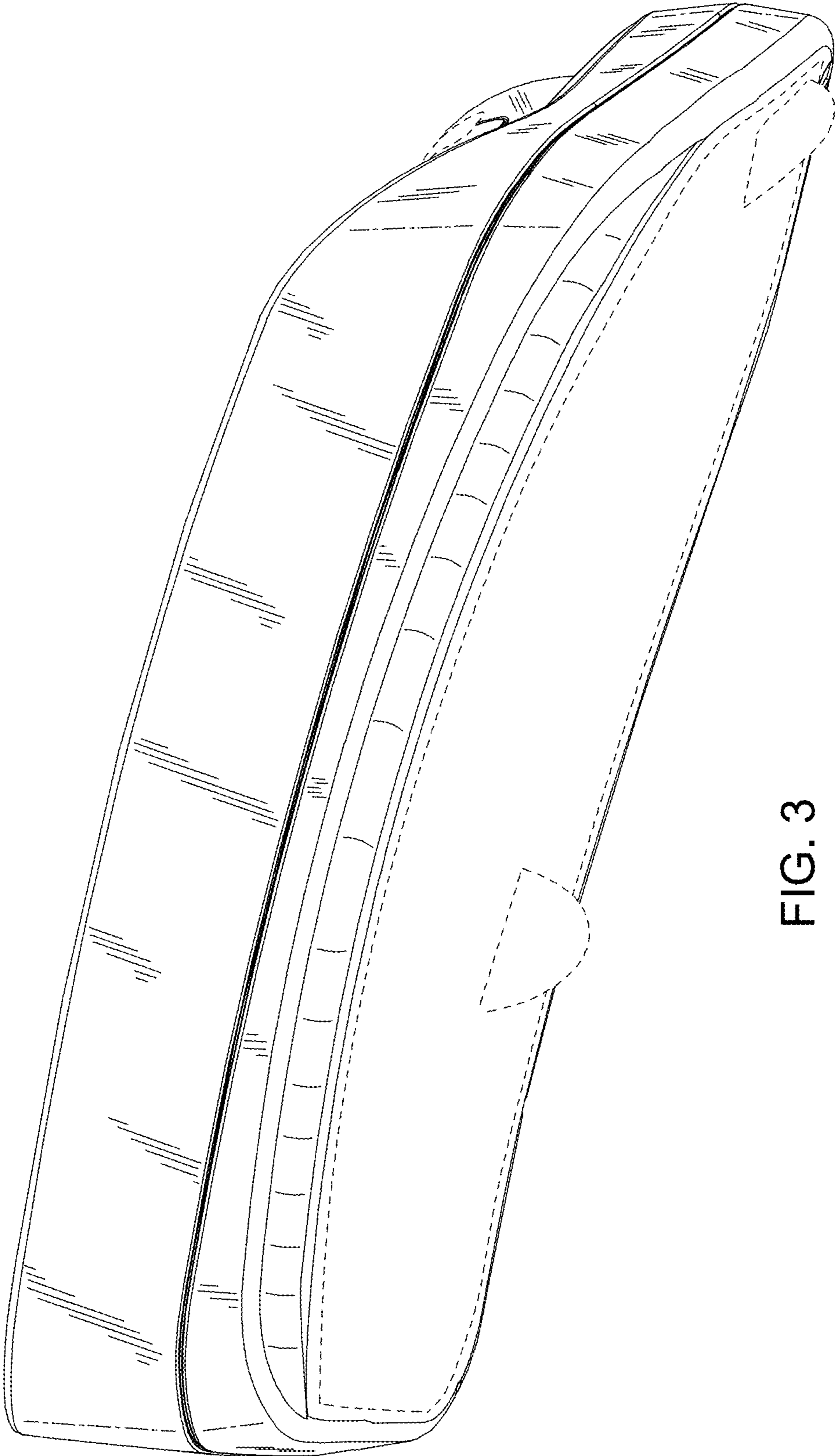


FIG. 3

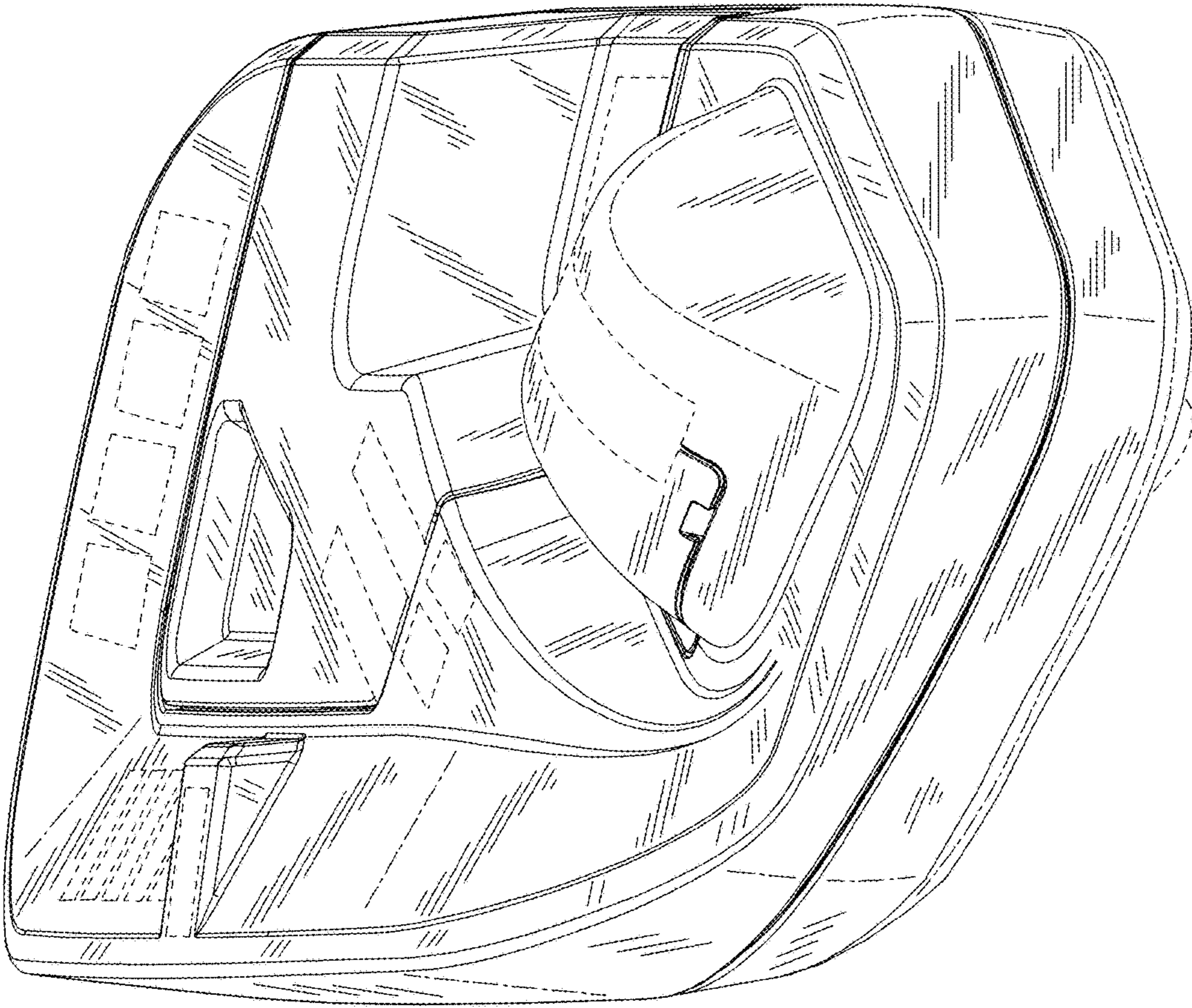


FIG. 4

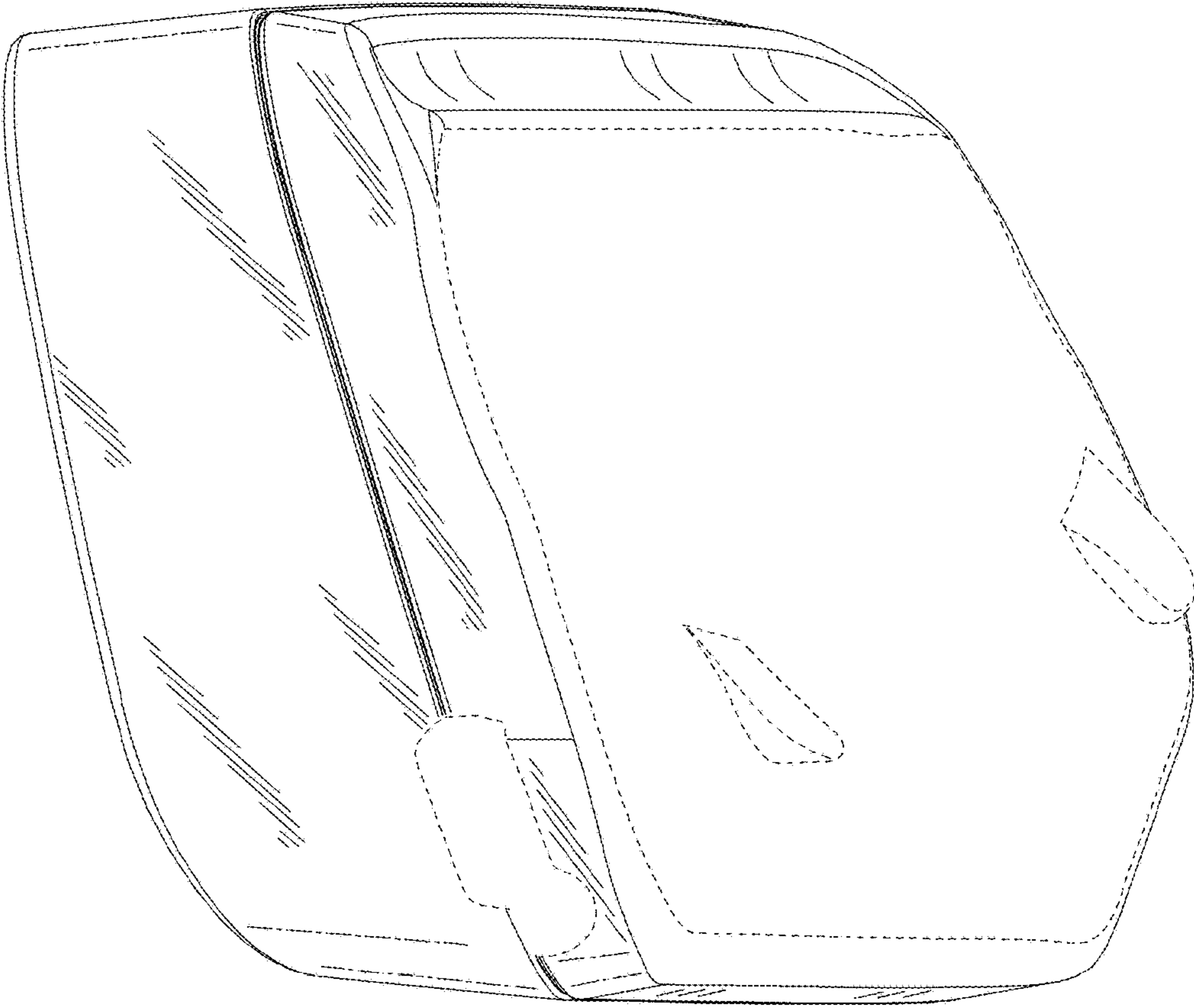


FIG. 5

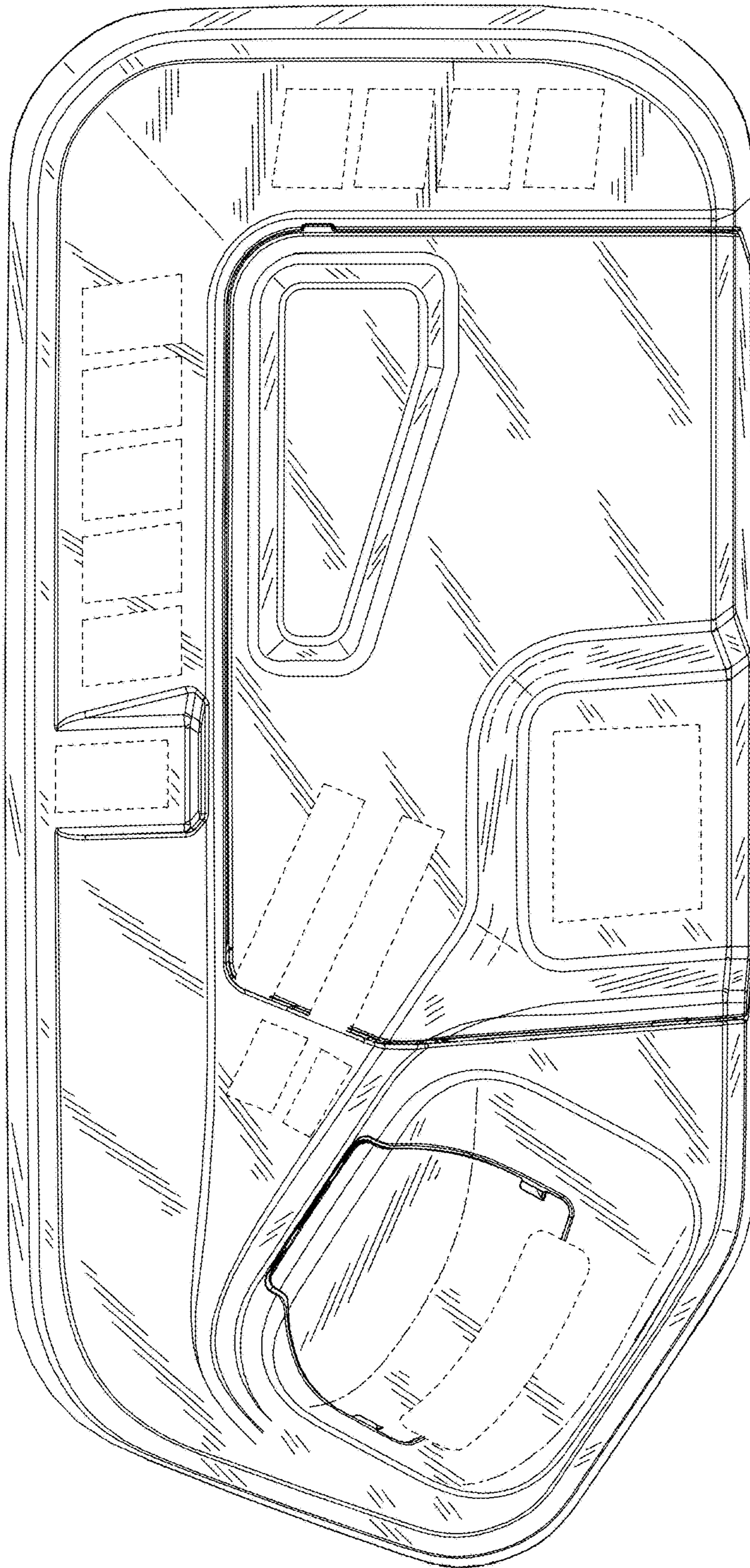


FIG. 6

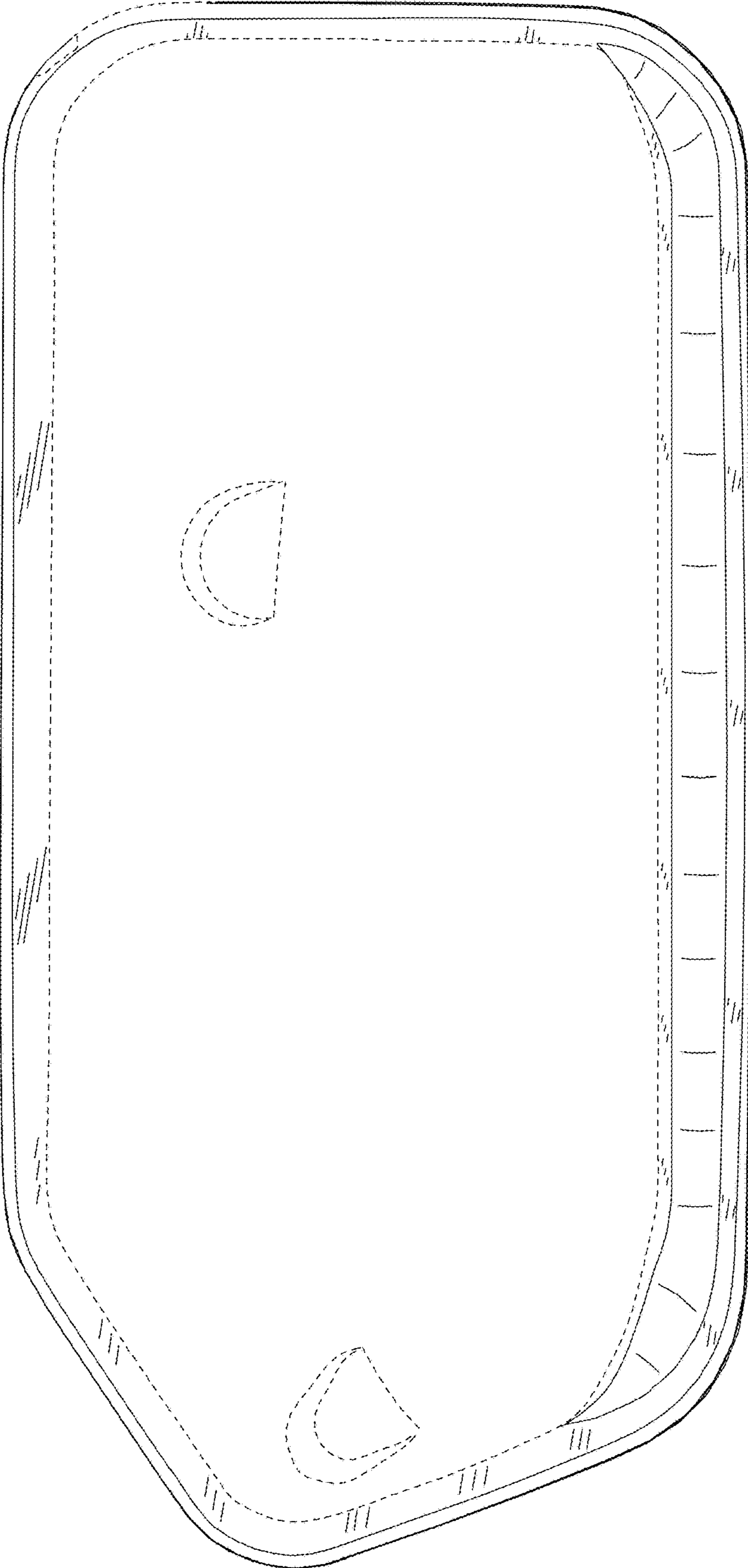


FIG. 7