



US00D823228S

(12) **United States Design Patent** (10) **Patent No.:** **US D823,228 S**
Garrett (45) **Date of Patent:** **** Jul. 17, 2018**

(54) **MOTORCYCLE TOURING BAG INTERIOR COVER**

(71) Applicant: **Richard Garrett**, Indianapolis, IN (US)

(72) Inventor: **Richard Garrett**, Indianapolis, IN (US)

(**) Term: **15 Years**

(21) Appl. No.: **29/560,790**

(22) Filed: **Apr. 11, 2016**

(51) **LOC (11) Cl.** **12-16**

(52) **U.S. Cl.**
USPC **D12/409**

(58) **Field of Classification Search**
USPC D12/409, 400, 407, 410, 221, 126, 119,
D12/114, 115, 110; D3/231, 273;
D7/698, 543, 549, 550.1
CPC A45C 13/36; A45C 2003/005; B62J 9/00;
B62J 9/02; B62J 9/001
See application file for complete search history.

(56) **References Cited**

U.S. PATENT DOCUMENTS

| | | | | |
|-----------|-----|---------|---------------|-----------------------|
| 4,629,040 | A | 12/1986 | Jones | |
| 5,771,305 | A | 6/1998 | Davis | |
| D407,215 | S * | 3/1999 | Garrett, III | D3/218 |
| D417,182 | S * | 11/1999 | Vitoorapakorn | D12/221 |
| D419,951 | S * | 2/2000 | Emery | D12/221 |
| 6,068,095 | A * | 5/2000 | Glembocki | A45C 13/36 150/130 |
| D460,724 | S * | 7/2002 | Owens | D12/114 |
| D483,699 | S * | 12/2003 | Anthony | D12/114 |
| D507,231 | S * | 7/2005 | Tuesch | D12/409 |
| D517,973 | S * | 3/2006 | Gosse | D12/221 |

| | | | | |
|-----------|------|--------|-----------------|----------------------|
| D615,908 | S | 5/2010 | Ditterline | |
| D651,965 | S * | 1/2012 | Sanders | D12/409 |
| 8,139,810 | B2 | 3/2012 | Armitage et al. | |
| 8,408,437 | B1 | 4/2013 | Ponsaa | |
| D704,689 | S * | 5/2014 | Chang | D14/250 |
| 8,925,778 | B1 | 1/2015 | Gordon | |
| 9,022,266 | B1 * | 5/2015 | Kleppin | B62J 9/02 224/413 |

* cited by examiner

Primary Examiner — George D. Kirschbaum

Assistant Examiner — Clese Moore, Jr.

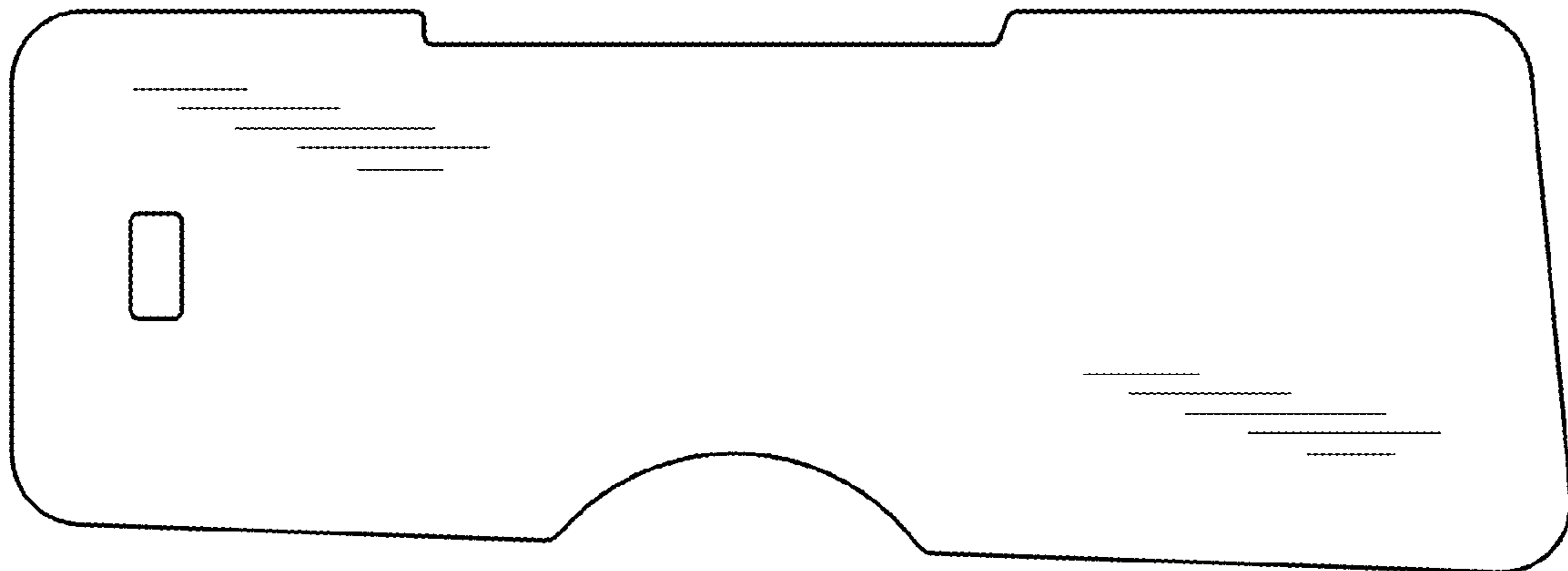
(57) **CLAIM**

The ornamental design for a motorcycle touring bag interior cover, as shown and described.

DESCRIPTION

FIG. 1 is a front view of a motorcycle touring bag interior cover showing my new design, a rear view being a mirror image thereof;
FIG. 2 is a left side view of the motorcycle touring bag interior cover;
FIG. 3 is a right side view of the motorcycle touring bag interior cover;
FIG. 4 is a top view of the motorcycle touring bag interior cover;
FIG. 5 is a bottom view of the motorcycle touring bag interior cover;
FIG. 6 is a bottom front side perspective view of the motorcycle touring bag interior cover; and,
FIG. 7 is a top front side perspective view of the motorcycle touring bag interior cover in use.
The dotted lines show environmental structure and are not intended to form any part of the claimed design.

1 Claim, 3 Drawing Sheets



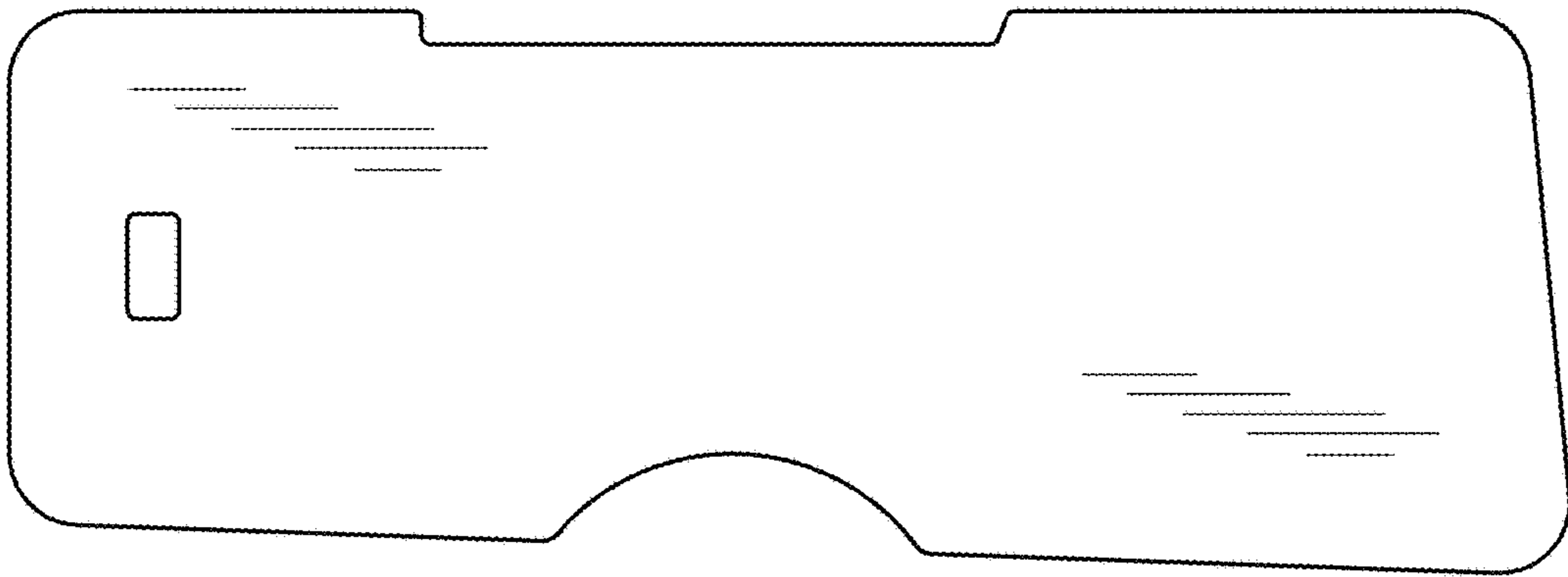


FIG. 1



FIG. 2



FIG. 3

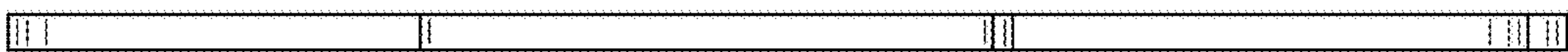


FIG. 4

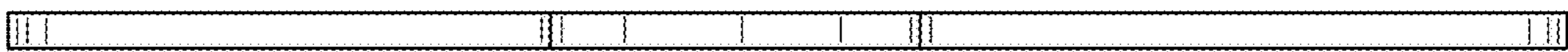


FIG. 5

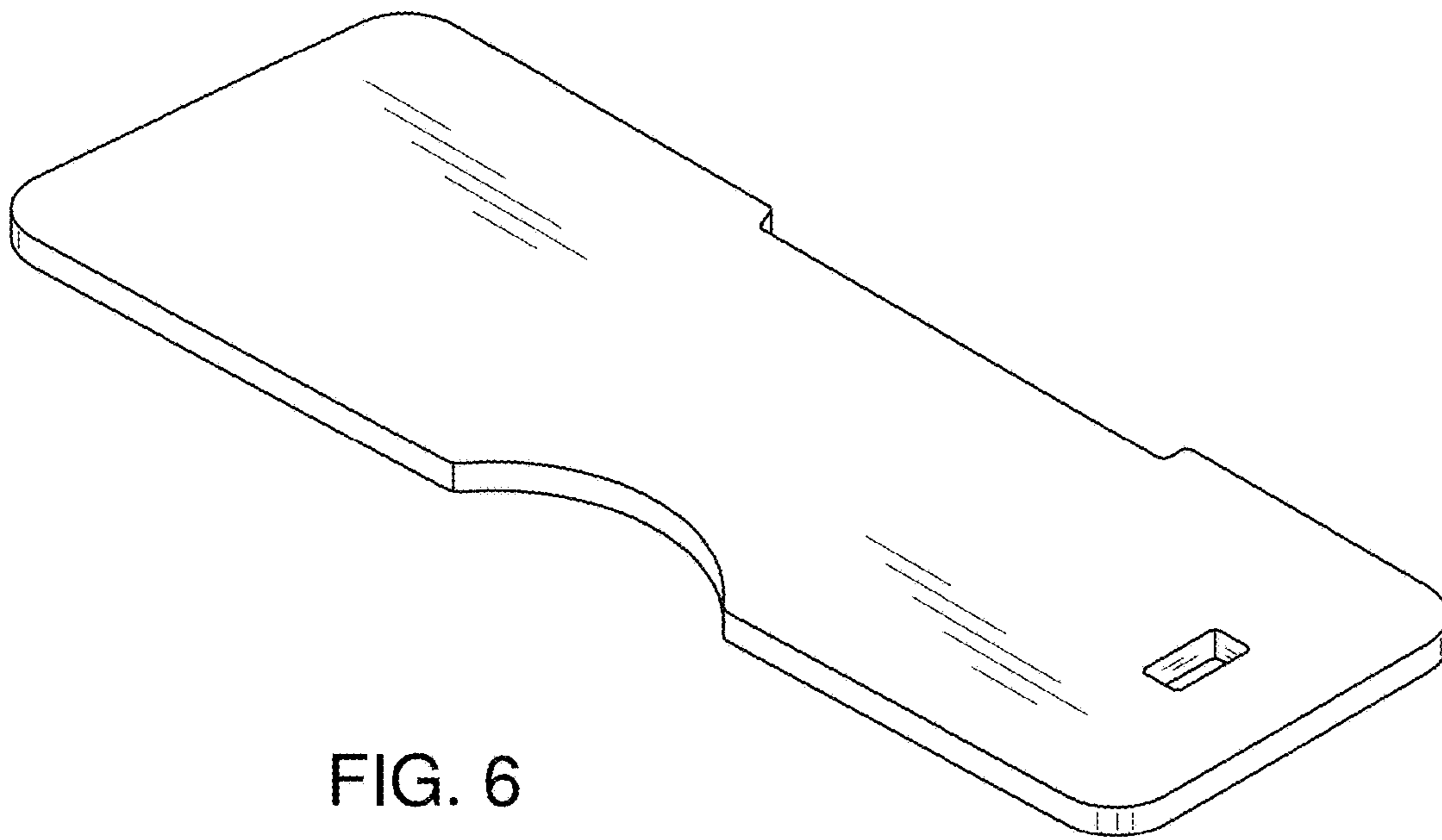


FIG. 6

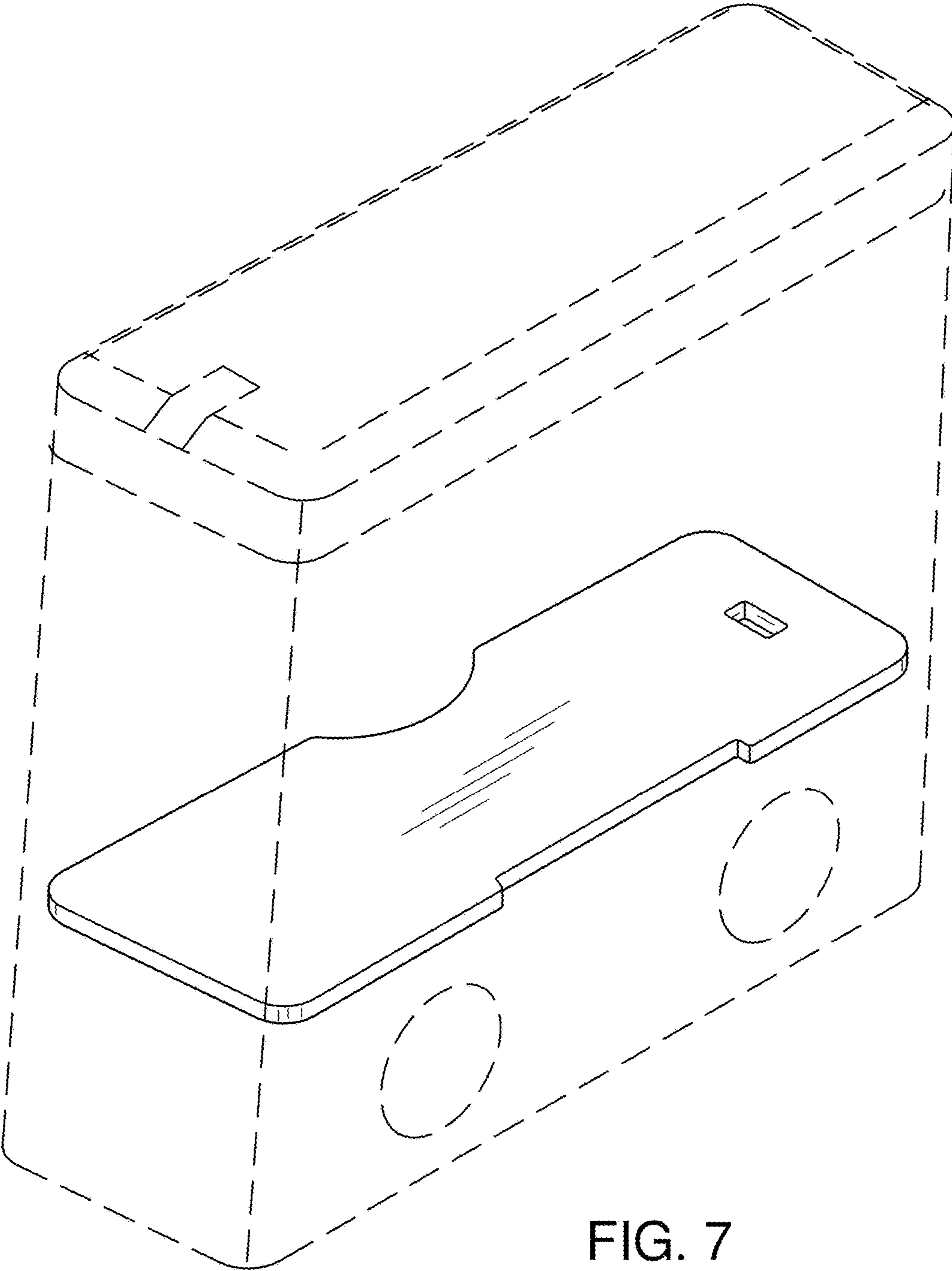


FIG. 7