



US00D823224S

(12) **United States Design Patent**  
**Nakamura**

(10) **Patent No.:** **US D823,224 S**

(45) **Date of Patent:** **\*\* Jul. 17, 2018**

(54) **WHEEL FOR AN AUTOMOBILE**  
(71) Applicant: **Fuji Jukogyo Kabushiki Kaisha,**  
Tokyo (JP)  
(72) Inventor: **Shinichi Nakamura,** Tokyo (JP)  
(73) Assignee: **Subaru Corpotion,** Tokyo (JP)  
(\*\*) Term: **15 Years**

(21) Appl. No.: **29/578,647**

(22) Filed: **Sep. 23, 2016**

(30) **Foreign Application Priority Data**

Mar. 25, 2016 (JP) ..... 2016006544

(51) **LOC (11) Cl.** ..... **12-16**

(52) **U.S. Cl.**  
USPC ..... **D12/211**

(58) **Field of Classification Search**  
USPC ..... D12/204–213  
CPC .... B60B 7/00; B60B 7/02; B60B 7/04; B60B  
7/01; B60B 7/06; B60B 3/02; B60B 3/04;  
B60B 3/06; B60B 3/10; B60B 1/00;  
B60B 1/08; B60B 1/10; B60B 1/12  
See application file for complete search history.

(56) **References Cited**

**U.S. PATENT DOCUMENTS**

D569,322 S \* 5/2008 Scheu ..... D12/211  
D588,517 S \* 3/2009 Aroney ..... D12/211  
D590,322 S \* 4/2009 Rak ..... D12/211  
D594,800 S \* 6/2009 Blasi ..... D12/209  
D652,361 S \* 1/2012 Forschner ..... D12/209  
D655,657 S \* 3/2012 Juergens ..... D12/209  
D666,958 S \* 9/2012 Suzuki ..... D12/211  
D686,132 S \* 7/2013 Truebsbach ..... D12/209  
D691,081 S \* 10/2013 Watkin ..... D12/211

D695,185 S \* 12/2013 Juergens ..... D12/209  
D710,286 S \* 8/2014 Yamaguchi ..... D12/209  
D726,628 S \* 4/2015 Kong ..... D12/211  
D729,138 S \* 5/2015 Davidson ..... D12/209  
D738,278 S \* 9/2015 Wolff ..... D12/209  
D746,212 S \* 12/2015 Valencia Pollex ..... D12/211  
D756,878 S \* 5/2016 Valencia Pollex ..... D12/209  
D759,566 S \* 6/2016 Valencia Pollex ..... D12/211  
D763,158 S \* 8/2016 Hara ..... D12/209  
D785,537 S \* 5/2017 Valencia Pollex ..... D12/211  
D788,003 S \* 5/2017 Conforzi ..... D12/209

\* cited by examiner

*Primary Examiner* — George D. Kirschbaum  
(74) *Attorney, Agent, or Firm* — Schiff Hardin LLP

(57) **CLAIM**

I claim the ornamental design for a wheel for an automobile thereof, as shown and described.

**DESCRIPTION**

FIG. 1 is a front perspective view for a “wheel for an automobile” showing my new design, FIG. 2 is a front view thereof, FIG. 3 is a rear view thereof, FIG. 4 is a top view thereof, FIG. 5 is a bottom view thereof, FIG. 6 is a left-side view thereof, FIG. 7 is a right-side view thereof, FIG. 8 is a reduced reference view showing the front of a cut section thereof, FIG. 9 is a section view taken along the line 9-9 of FIG. 8 thereof; and, FIG. 10 is a section view taken along the line 10-10 of FIG. 8 thereof. In the drawings, the rear view is shown in a lighter gray scale representing environmental subject matter that forms no part of the claimed design.

**1 Claim, 8 Drawing Sheets**

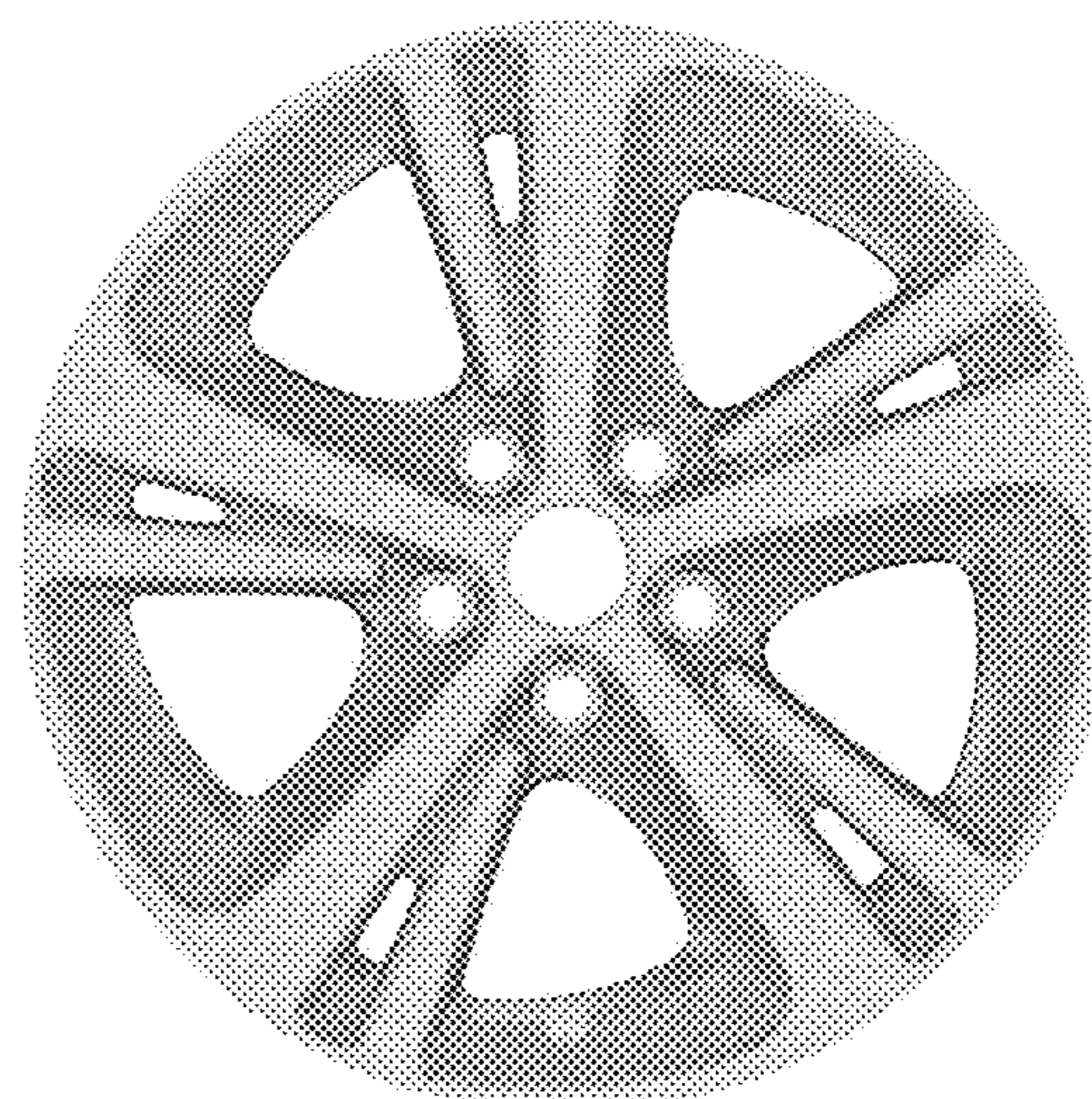
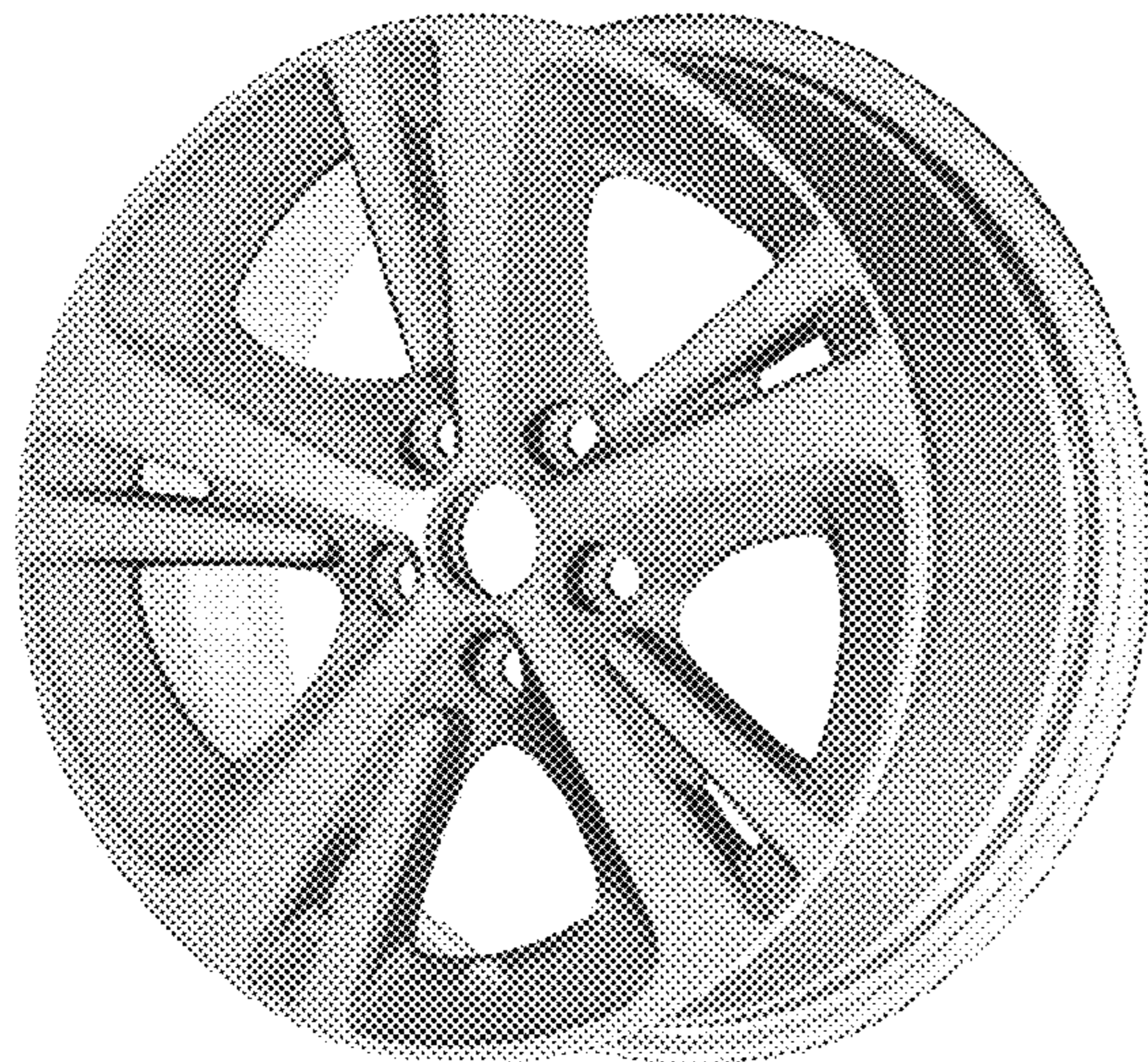




Fig. 1





Fig. 2



Fig. 3

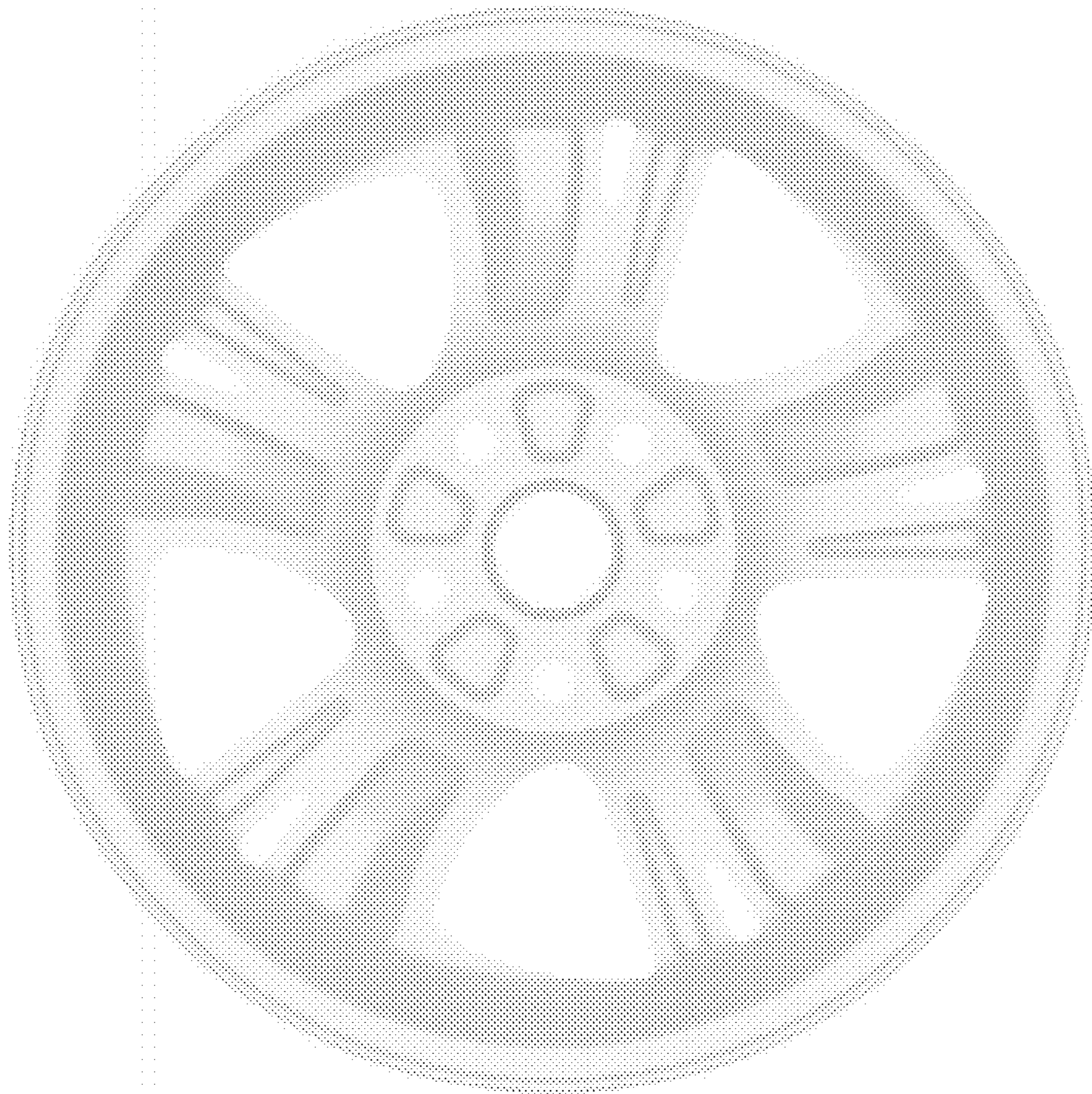




Fig. 4

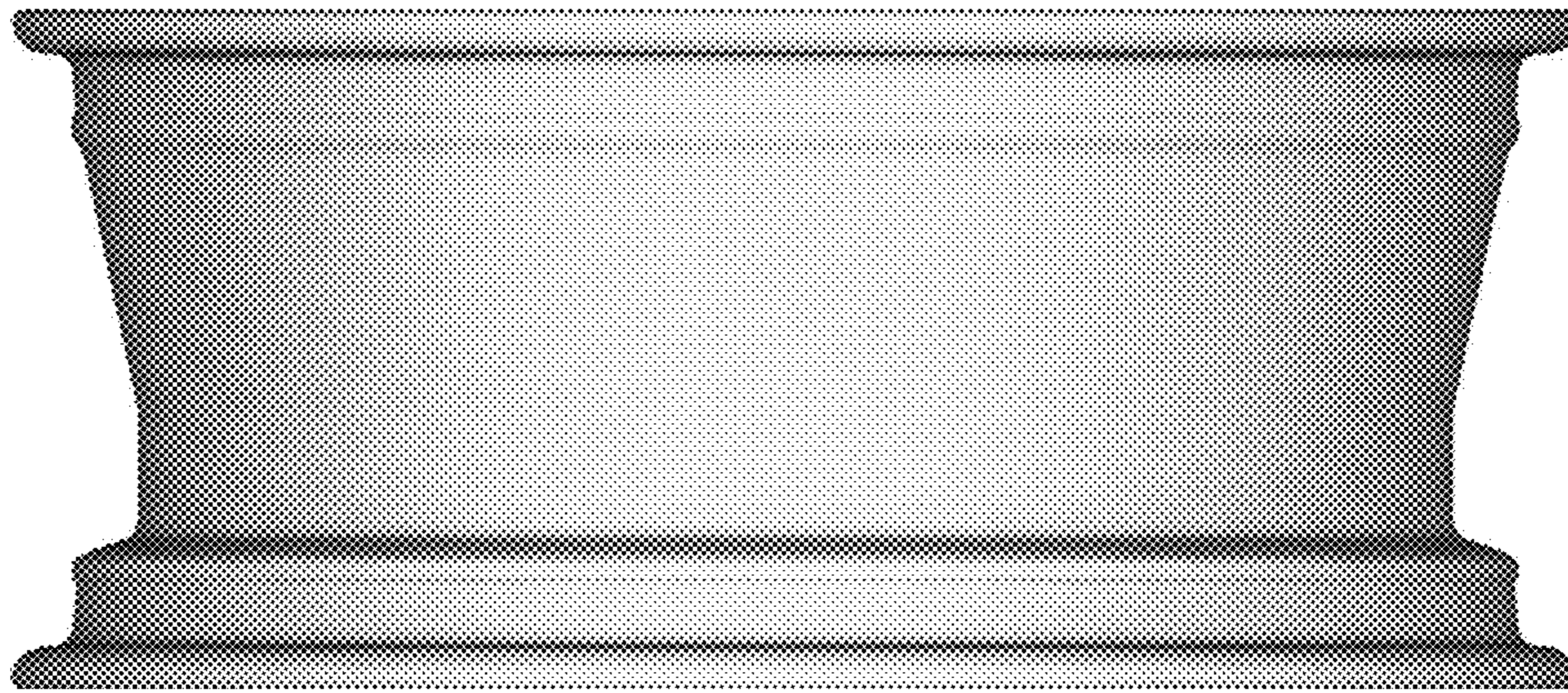


Fig. 5

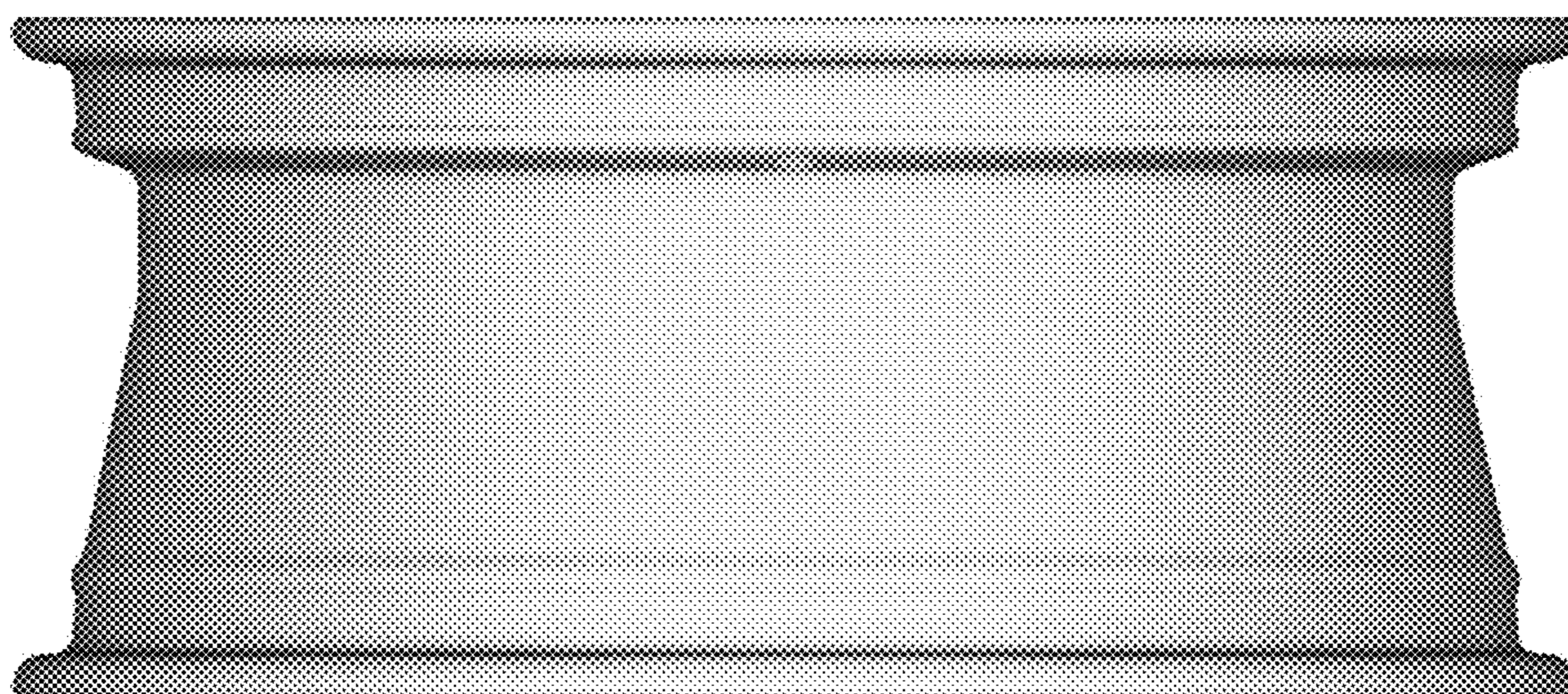




Fig. 6

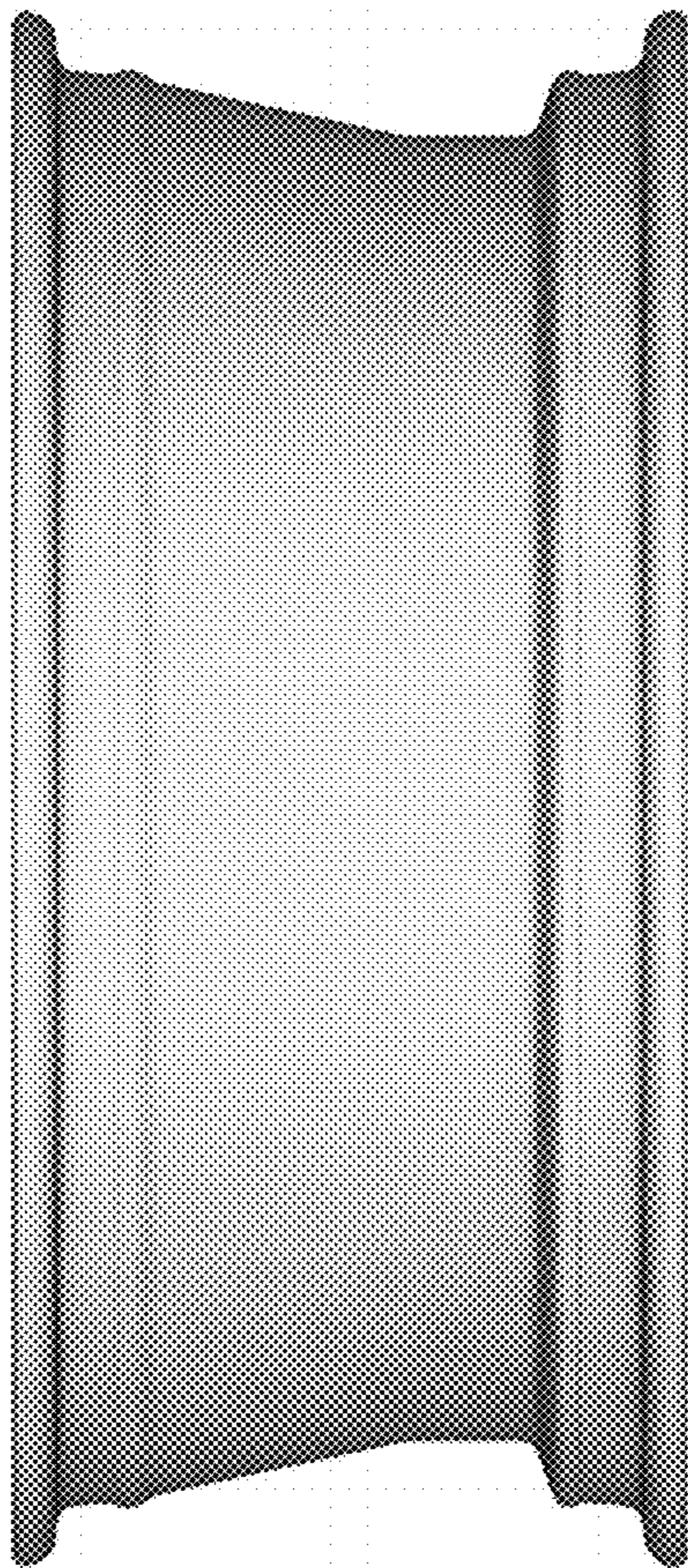


Fig. 7

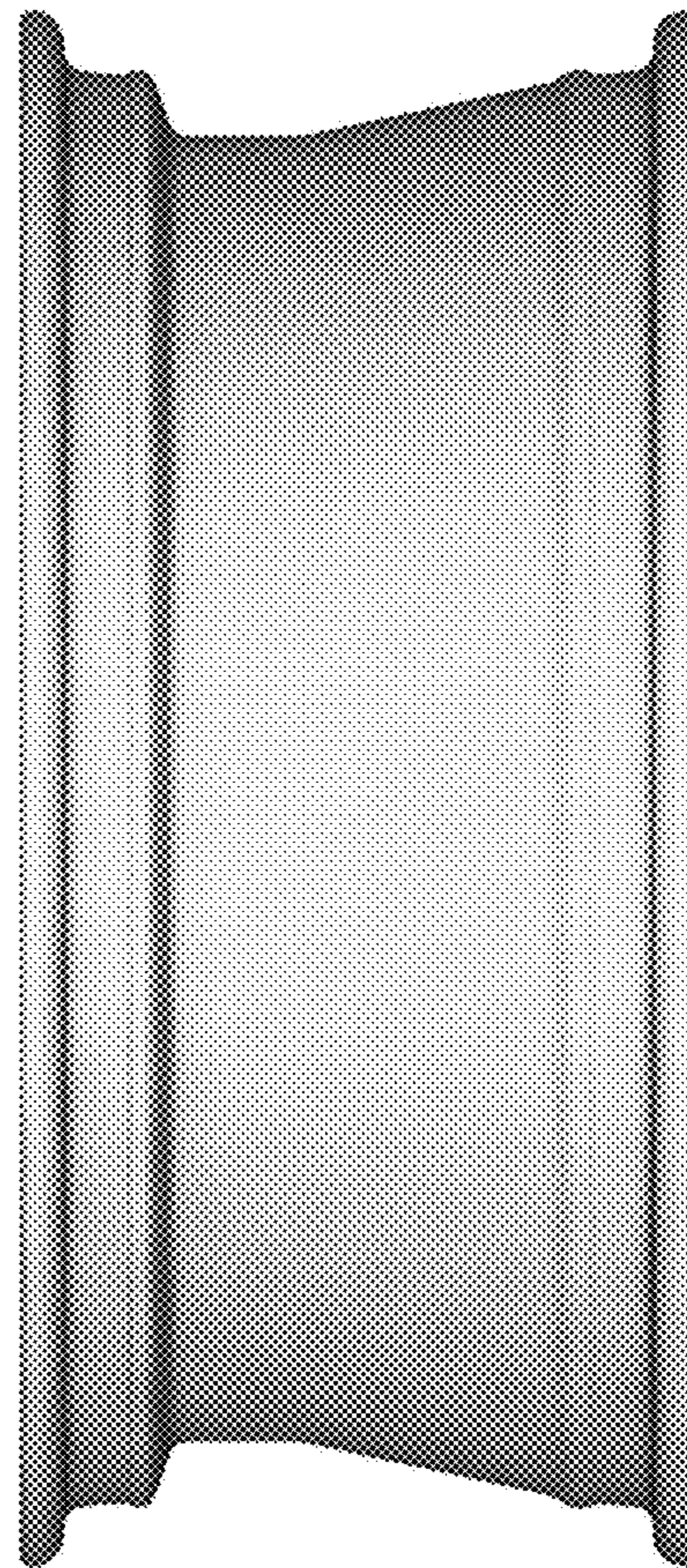




Fig. 8

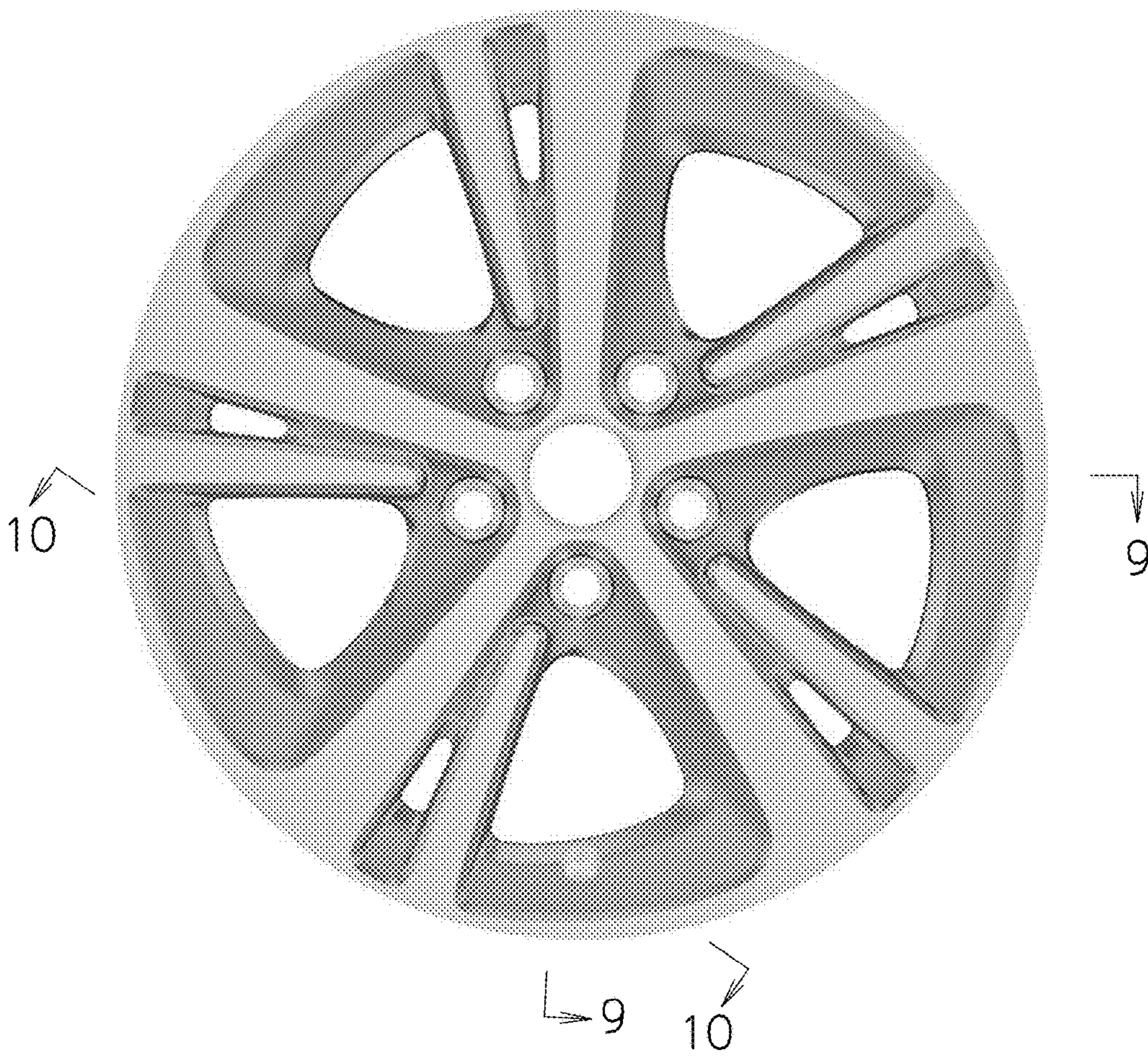


Fig. 9

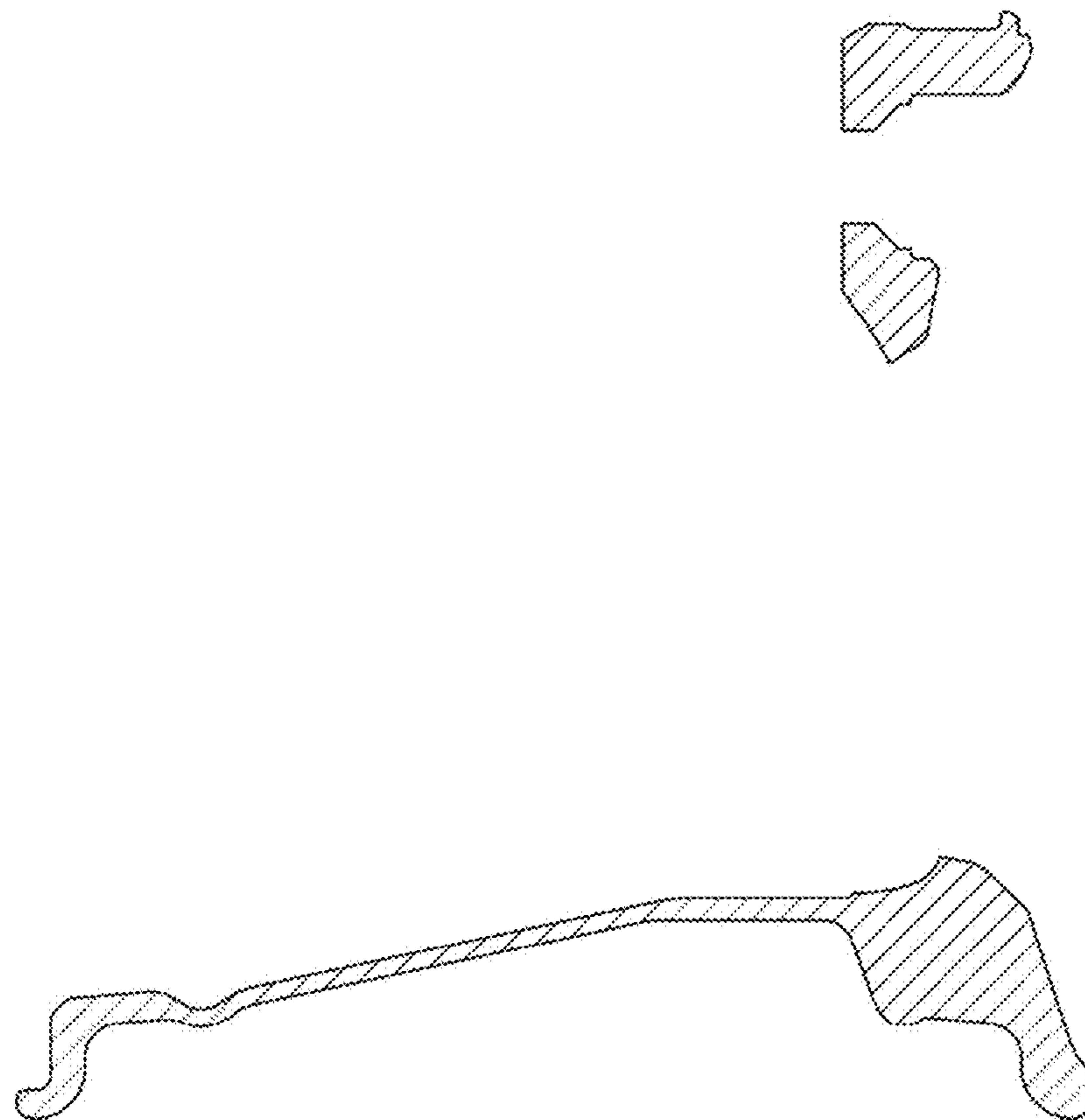




Fig. 10

