



US00D823223S

(12) **United States Design Patent**
Sempek

(10) **Patent No.:** **US D823,223 S**

(45) **Date of Patent:** **** Jul. 17, 2018**

(54) **WHEEL RIM**

(71) Applicant: **Allied Wheel Components**, Garden Grove, CA (US)

(72) Inventor: **Christopher Sean Sempek**, Long Beach, CA (US)

(73) Assignee: **ALLIED WHEEL COMPONENTS**, Garden Grove, CA (US)

(**) Term: **15 Years**

(21) Appl. No.: **29/567,911**

(22) Filed: **Jun. 14, 2016**

(51) **LOC (11) Cl.** **12-16**

(52) **U.S. Cl.**
USPC **D12/211**

(58) **Field of Classification Search**
USPC D12/204–213
CPC B60B 7/00; B60B 7/02; B60B 7/04; B60B 7/01; B60B 7/06; B60B 3/02; B60B 3/04; B60B 3/06; B60B 3/10; B60B 1/00; B60B 1/08; B60B 1/10; B60B 1/12
See application file for complete search history.

(56) **References Cited**

U.S. PATENT DOCUMENTS

D552,525 S	*	10/2007	Celik	D12/211
D626,053 S	*	10/2010	Groom	D12/211
D629,733 S	*	12/2010	Tirado	D12/211
D639,222 S		6/2011	Johnson		
D652,363 S	*	1/2012	Chung	D12/211
D673,099 S	*	12/2012	Ender	D12/211

D689,421 S	*	9/2013	Wachter	D12/211
D710,780 S	*	8/2014	Borkert	D12/211
D722,935 S	*	2/2015	Dingle	D12/209
D737,190 S	*	8/2015	Kern	D12/211
D748,558 S	*	2/2016	Hans	D12/211
D749,029 S	*	2/2016	Wheel	D12/211
D754,051 S	*	4/2016	Baum	D12/211
D755,690 S	*	5/2016	von Tardy-Tuch	D12/209
D762,155 S	*	7/2016	Juergens	D12/211
D766,155 S	*	9/2016	Wheel	D12/211
D768,047 S	*	10/2016	Hans	D12/211
D776,039 S	*	1/2017	Valencia Pollex	D12/209
D778,801 S	*	2/2017	Bucher	D12/211
D786,159 S	*	5/2017	Boyd	D12/211
D793,939 S	*	8/2017	Hans	D12/211
D793,940 S	*	8/2017	Gardavsky	D12/211
D795,152 S	*	8/2017	Peat	D12/211

OTHER PUBLICATIONS

Raceline Wheels catalog, vol. 26, Mar. 23, 2016.
Raceline Wheels catalog, vol. 22, Dec. 2, 2015.

* cited by examiner

Primary Examiner — George D. Kirschbaum
(74) *Attorney, Agent, or Firm* — Fish IP Law, LLP

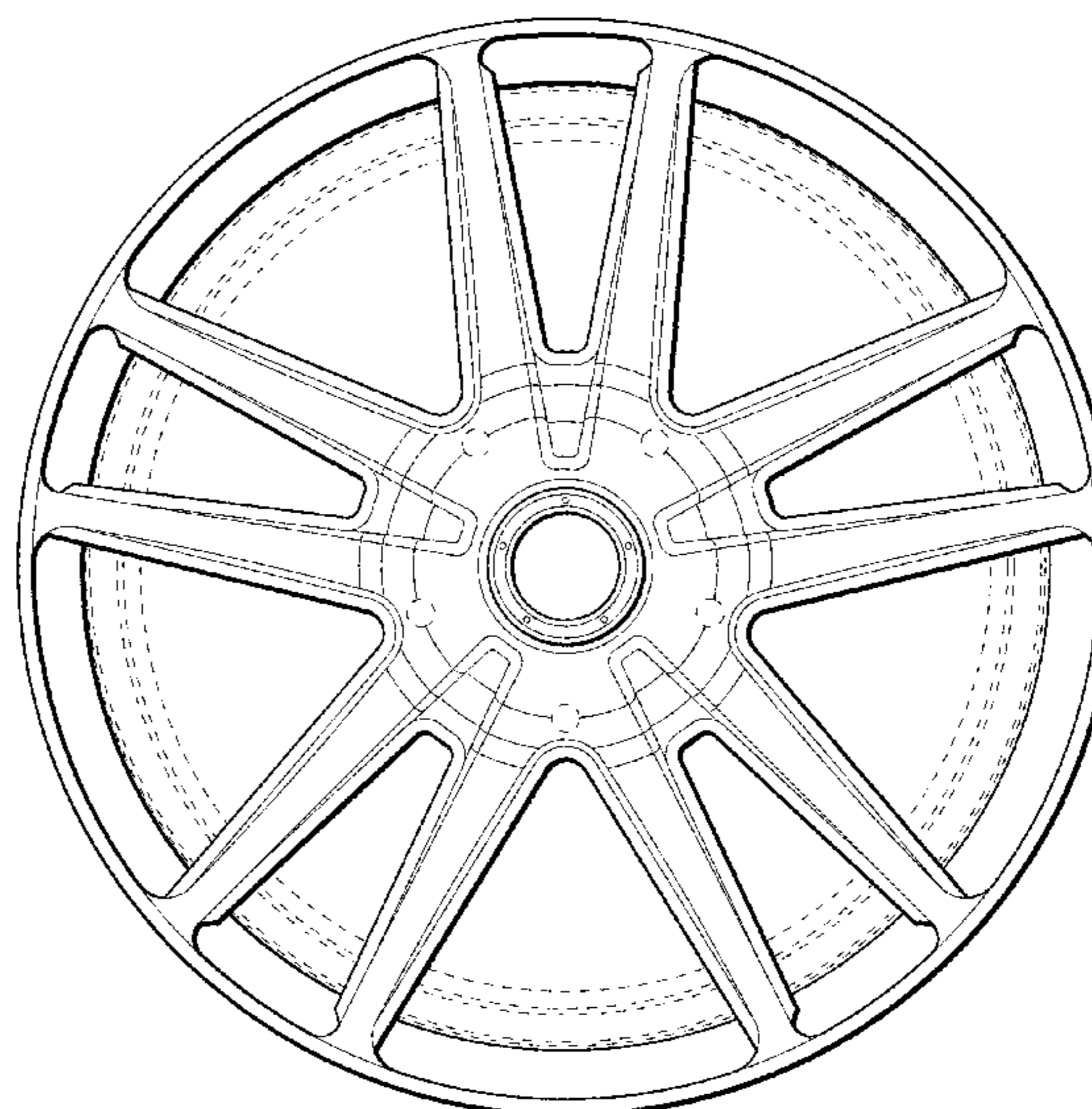
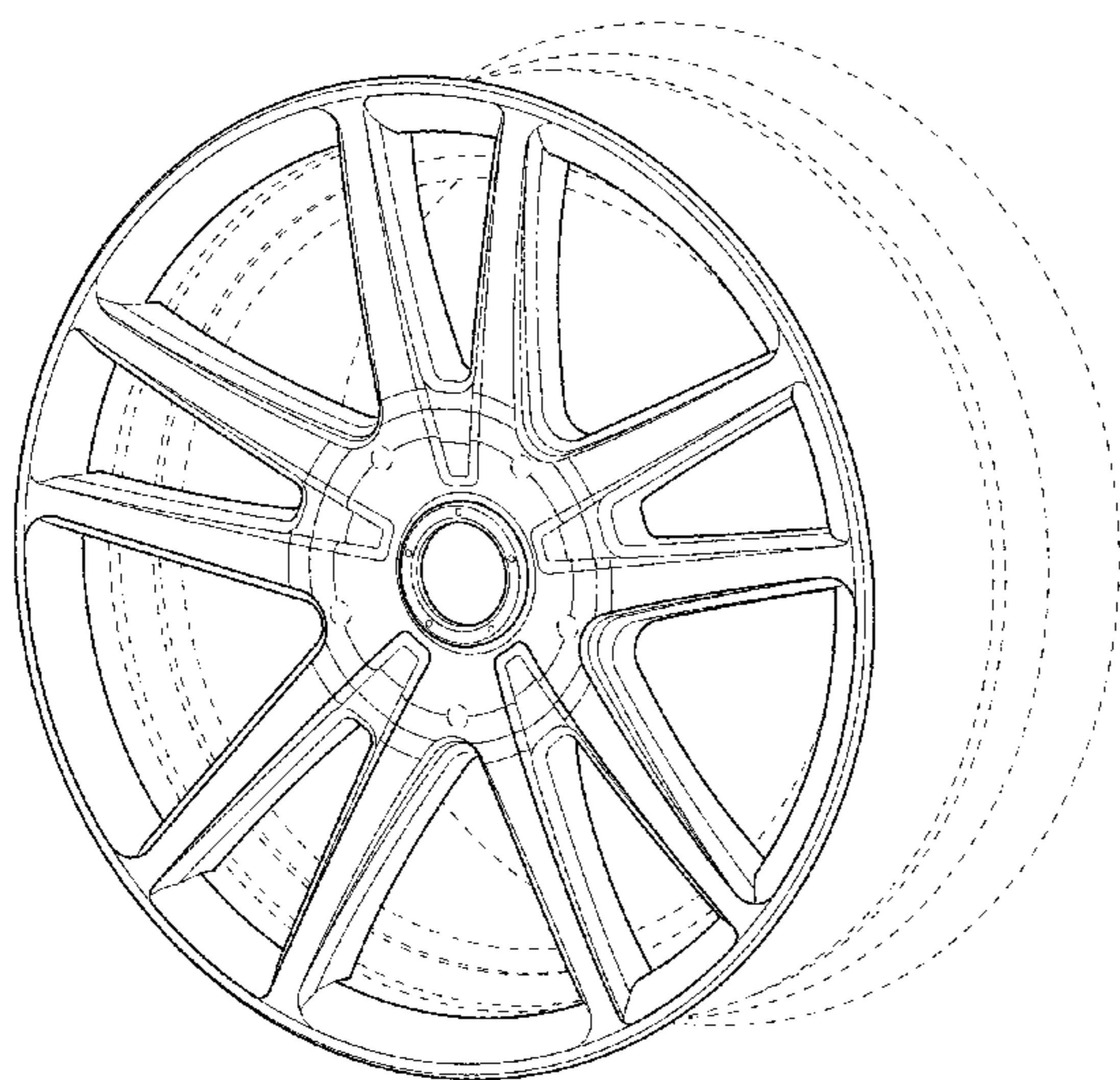
(57) **CLAIM**

I claim the ornamental design for a wheel rim, as shown and described.

DESCRIPTION

FIG. 1 is a top, front, right side perspective view of a wheel rim of the new design; and, FIG. 2 is a front elevation view thereof.

1 Claim, 2 Drawing Sheets



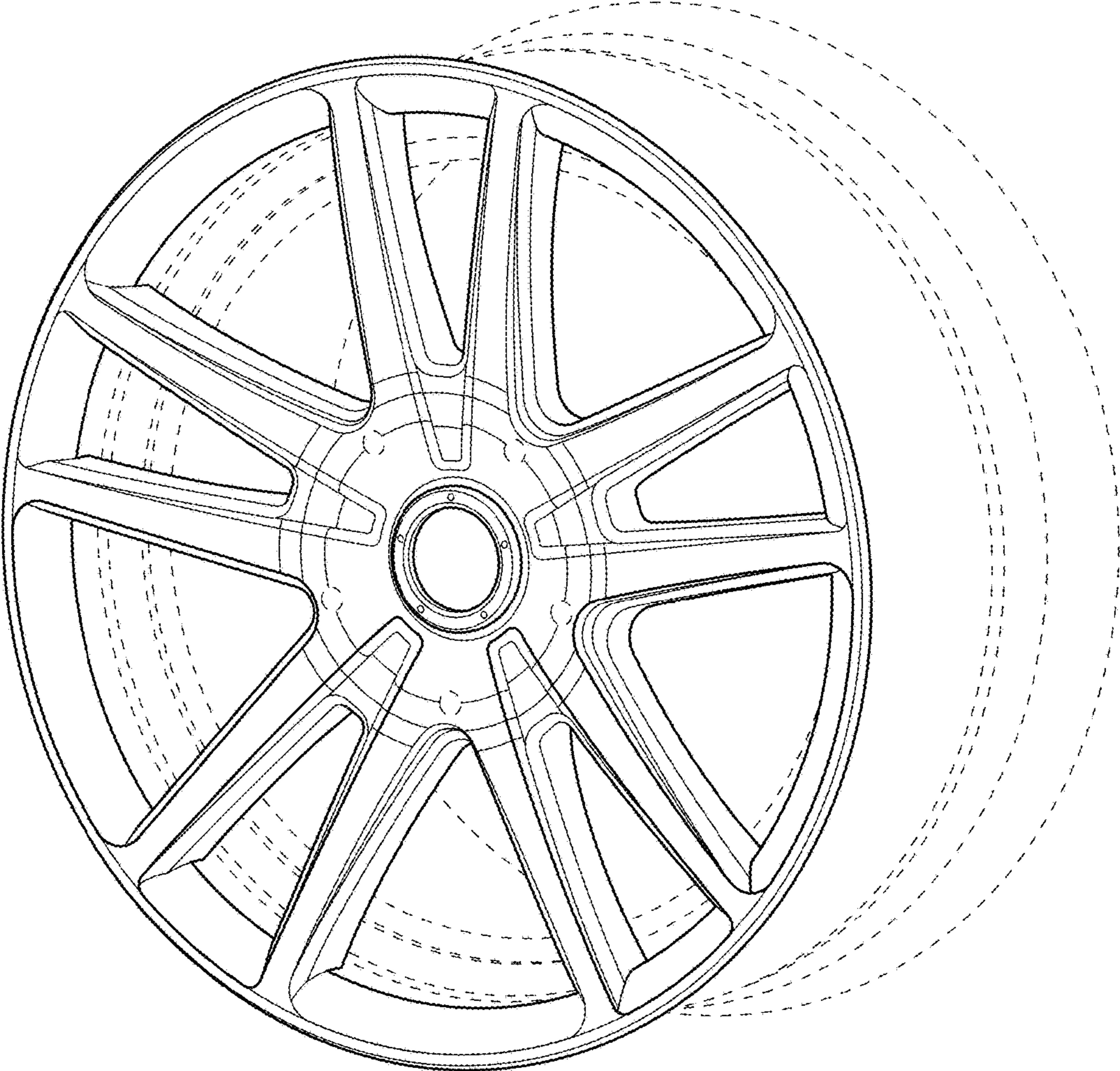


FIG. 1

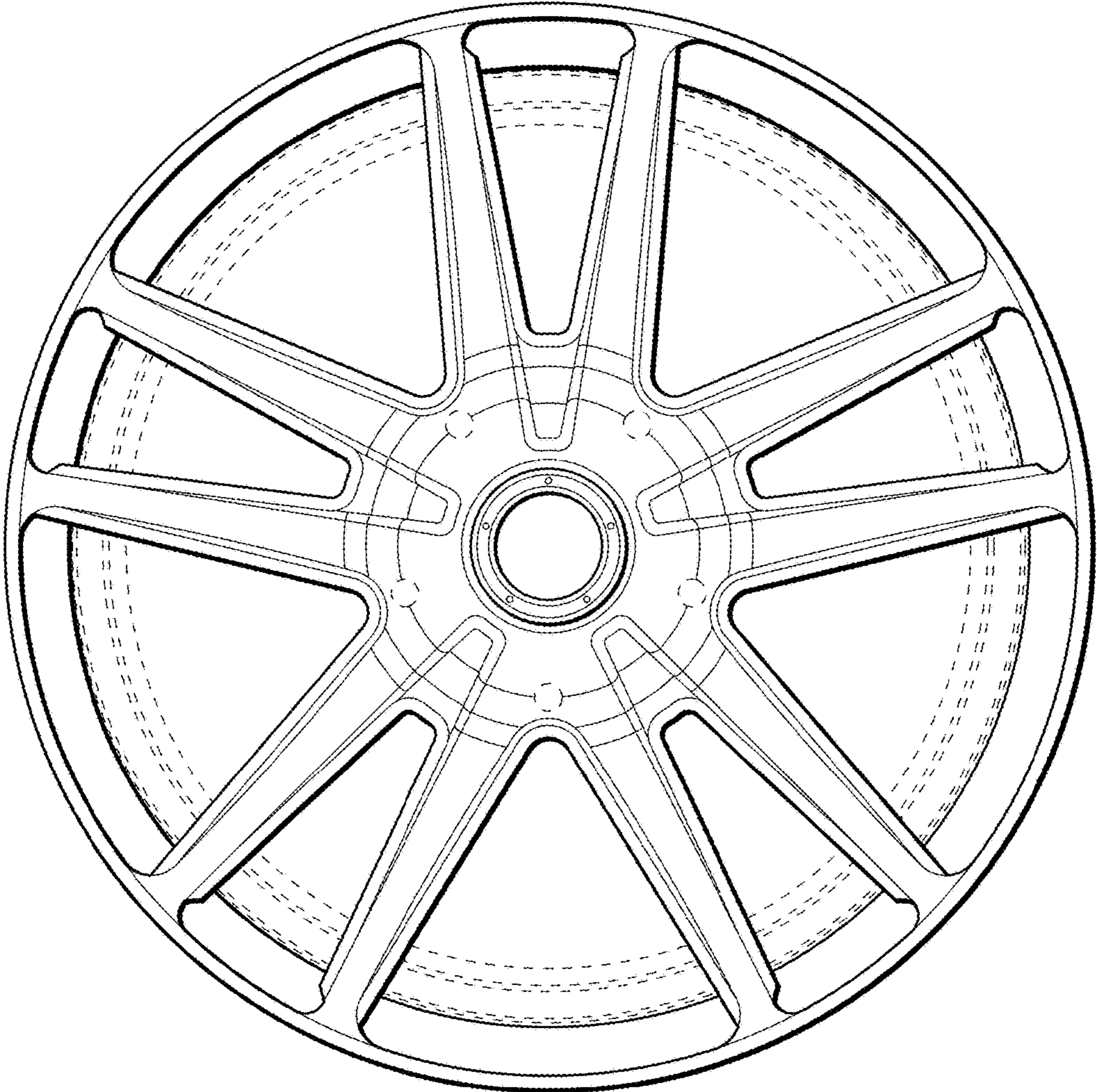


FIG. 2