



US00D823222S

(12) **United States Design Patent**
Chung

(10) **Patent No.:** **US D823,222 S**

(45) **Date of Patent:** **** Jul. 17, 2018**

(54) **AUTOMOTIVE WHEEL**

(71) Applicant: **Suny Chung**, Anaheim, CA (US)

(72) Inventor: **Suny Chung**, Anaheim, CA (US)

(**) Term: **14 Years**

(21) Appl. No.: **29/485,381**

(22) Filed: **Mar. 18, 2014**

(51) **LOC (11) Cl.** **12-16**

(52) **U.S. Cl.**
USPC **D12/211**

(58) **Field of Classification Search**
USPC D12/204–213
CPC B60B 7/00; B60B 7/02; B60B 7/04; B60B
7/01; B60B 7/06; B60B 3/02; B60B 3/04;
B60B 3/10; B60B 1/00; B60B 1/08;
B60B 1/10; B60B 1/12
See application file for complete search history.

(56) **References Cited**

U.S. PATENT DOCUMENTS

- D432,974 S * 10/2000 Jablonski D12/211
- D457,478 S * 5/2002 Minamisawa D12/211

- D594,397 S * 6/2009 Laengerer D12/211
- D626,053 S * 10/2010 Groom D12/211
- D652,365 S * 1/2012 Lindloff D12/411
- D660,768 S * 5/2012 De Bono D12/211
- D673,098 S * 12/2012 Fetherston D12/211
- D682,768 S * 5/2013 Hale D12/211
- D689,809 S * 9/2013 Kim D12/209
- D718,206 S * 11/2014 Song et al. D12/211

* cited by examiner

Primary Examiner — Stacia A Cadmus

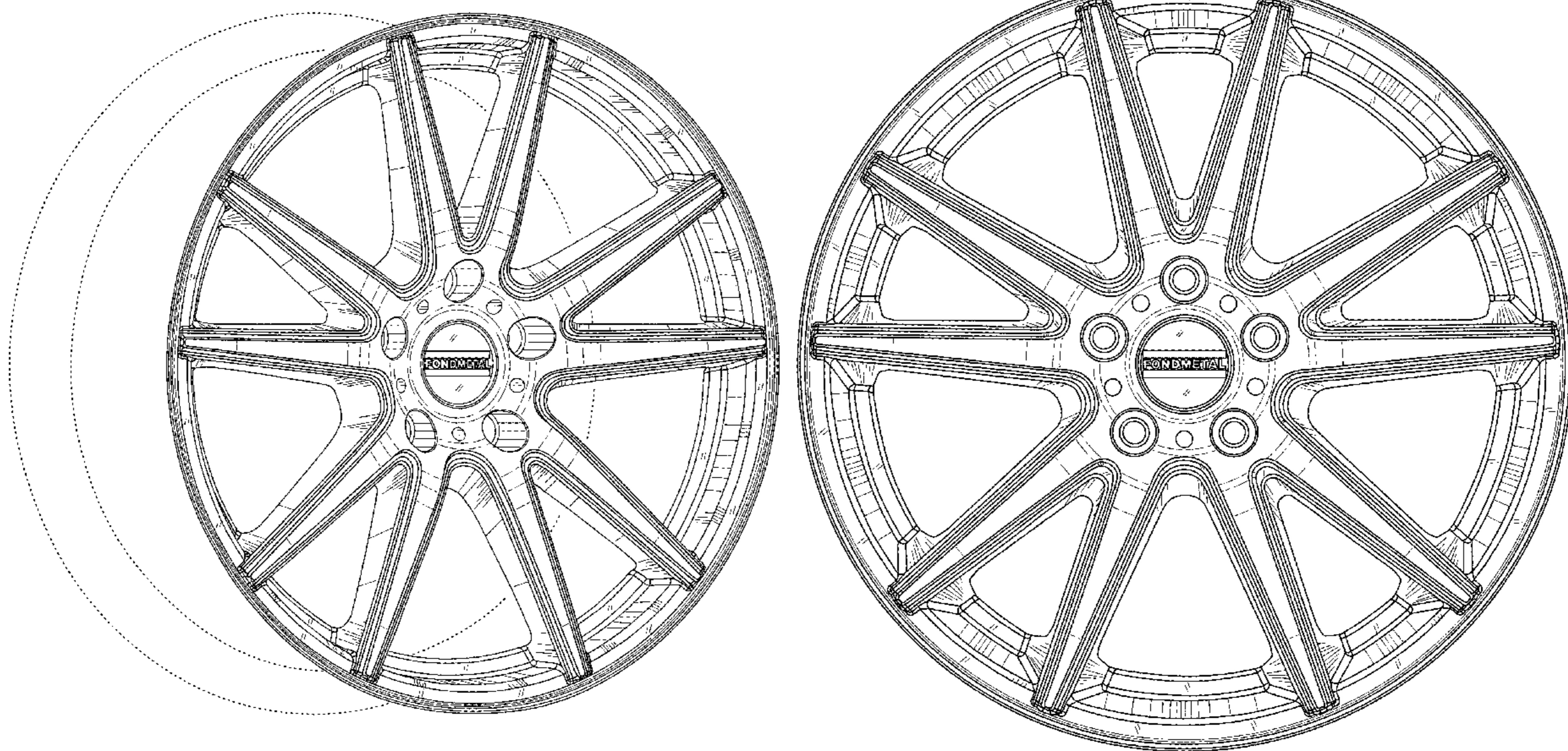
(57) **CLAIM**

The ornamental design for an automotive wheel, as shown and described.

DESCRIPTION

FIG. 1 is a perspective view of an automotive wheel, showing my new design; and, FIG. 2 is a front view thereof. The broken line showing of the rear portion of the wheel is included for the purpose of illustrating environment and forms no part of the claimed design.

1 Claim, 2 Drawing Sheets



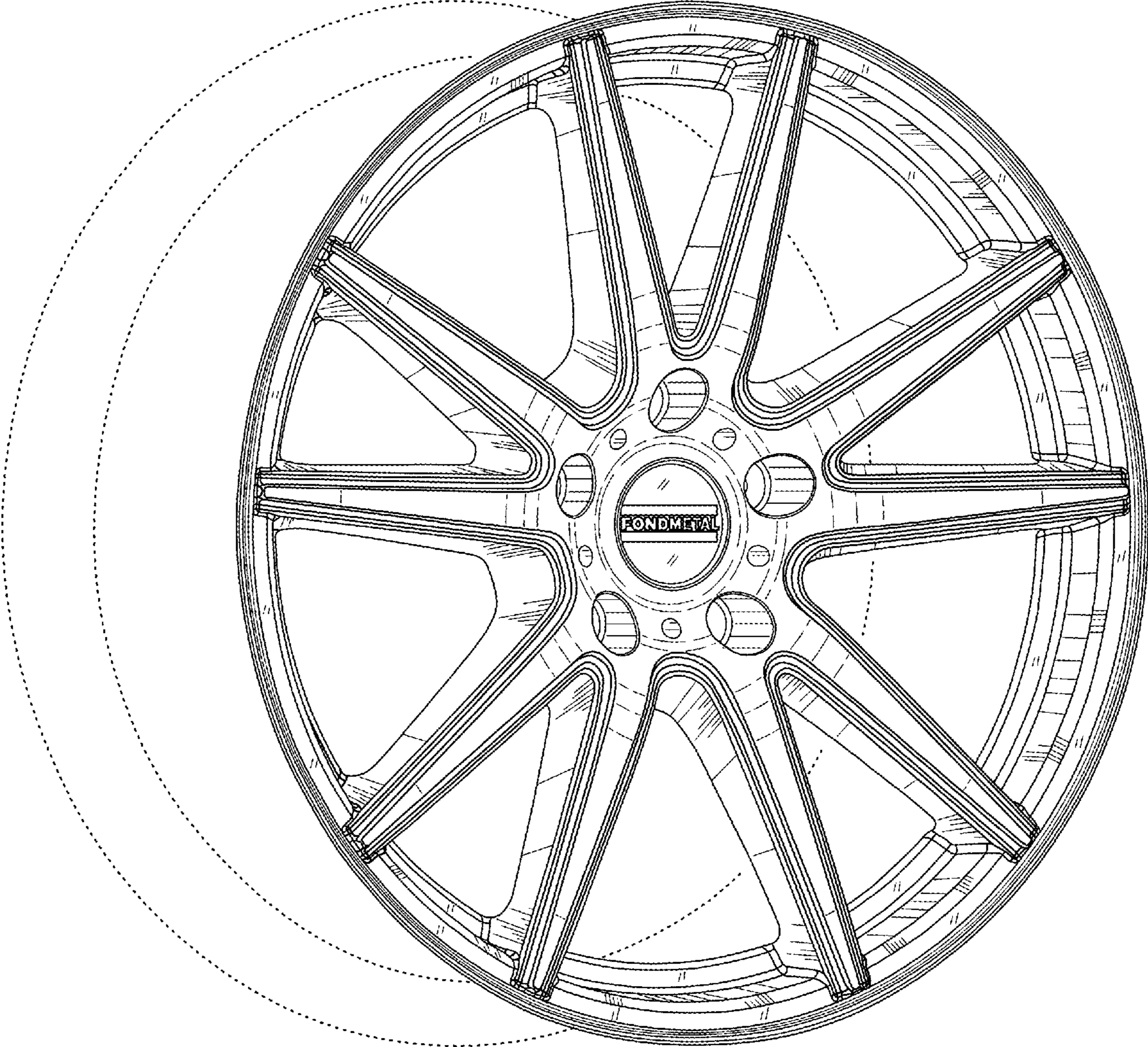


Figure 1

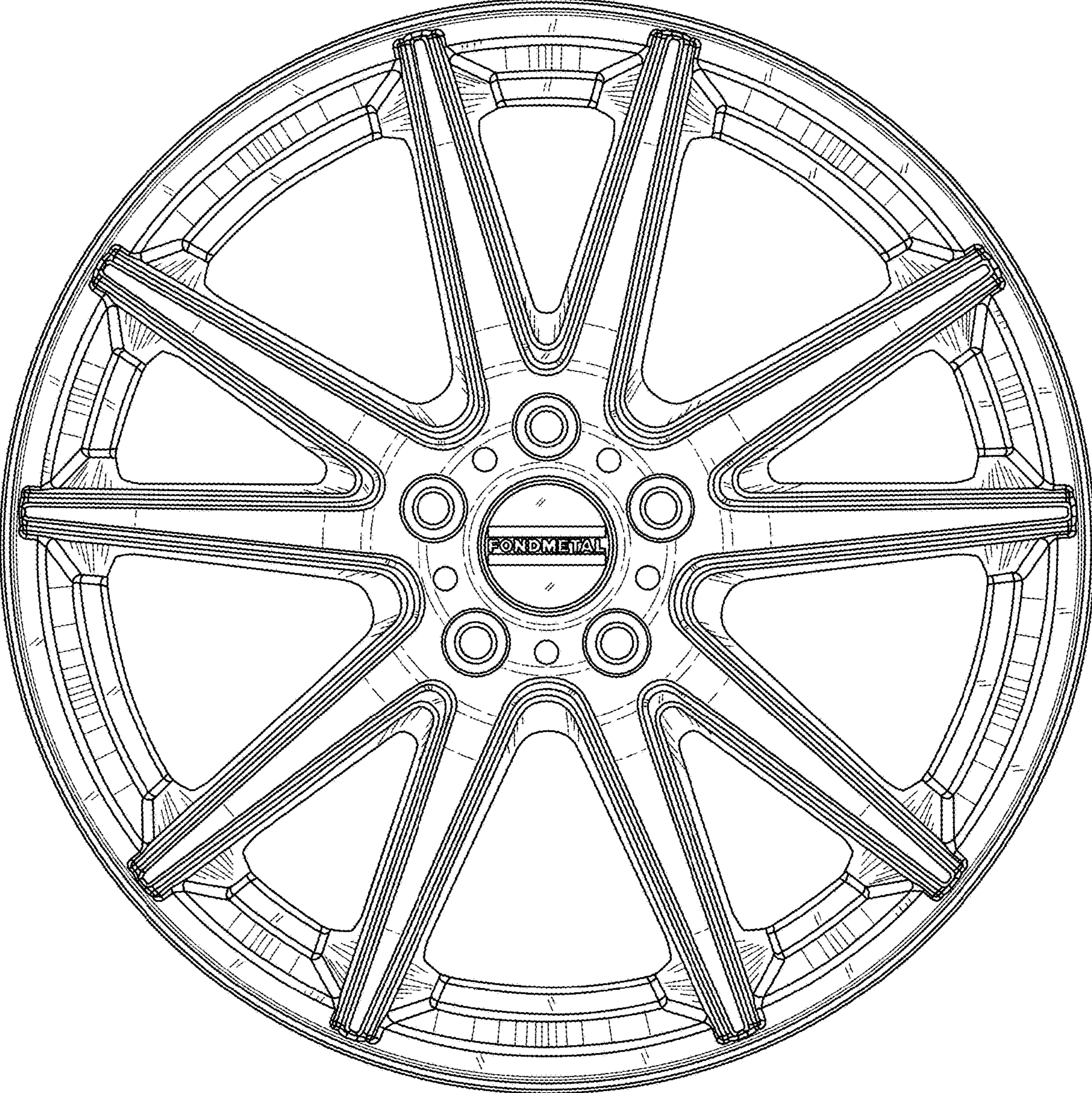


Figure 2