



US00D823221S

(12) **United States Design Patent** (10) **Patent No.:** **US D823,221 S**  
**Badstuebner et al.** (45) **Date of Patent:** **\*\* Jul. 17, 2018**

(54) **WHEEL OR WHEEL COVER**  
(71) Applicant: **Daimler AG**, Stuttgart (DE)  
(72) Inventors: **Achim-Dietrich Badstuebner**, Munich (DE); **Robert Lesnik**, Leonberg (DE); **Jaroslav Hejtmanek**, Moetzingen (DE)  
(73) Assignee: **Daimler AG**, Stuttgart (DE)  
(\*\*) Term: **15 Years**  
(21) Appl. No.: **29/599,349**  
(22) Filed: **Apr. 3, 2017**  
(51) **LOC (11) Cl.** ..... **12-16**  
(52) **U.S. Cl.**  
USPC ..... **D12/209**  
(58) **Field of Classification Search**  
USPC ..... D12/400, 204–213, 217, 501; D9/452, D9/538, 541, 546, 559, 669; D7/506, D7/539, 540, 556, 563, 567, 615, 675, D7/677; D21/763, 771, 779, 495, 561, D21/563  
CPC .... B60B 7/00; B60B 7/02; B60B 7/04; B60B 7/01; B60B 7/06; B60B 3/02; B60B 3/04; B60B 3/06; B60B 3/10; B60B 1/00; B60B 1/08; B60B 1/10; B60B 1/12  
See application file for complete search history.

(56) **References Cited**  
U.S. PATENT DOCUMENTS  
D427,555 S \* 7/2000 Hall ..... D12/209  
D437,819 S \* 2/2001 Brown ..... D12/209  
D476,938 S \* 7/2003 Hatori ..... D12/209  
D504,648 S \* 5/2005 Pfeiffer ..... D12/209  
D522,949 S \* 6/2006 Elmitt ..... D12/211  
D530,253 S \* 10/2006 Coutts ..... D12/209  
D530,257 S \* 10/2006 Pfeiffer ..... D12/211  
D530,657 S \* 10/2006 Pfeiffer ..... D12/211  
D531,565 S \* 11/2006 Pfeiffer ..... D12/211

D538,216 S \* 3/2007 Sycha ..... D12/209  
D551,609 S \* 9/2007 Hettler ..... D12/211  
D574,310 S \* 8/2008 Huet ..... D12/209  
D579,399 S \* 10/2008 Schweizer ..... D12/211  
D582,331 S \* 12/2008 Blasi ..... D12/209  
D584,672 S \* 1/2009 Osborne ..... D12/209  
D587,177 S \* 2/2009 Scheu ..... D12/209  
D601,075 S \* 9/2009 Szavits ..... D12/211  
D614,106 S \* 4/2010 Junker ..... D12/209  
D625,237 S \* 10/2010 Holstein ..... D12/209  
D629,346 S \* 12/2010 Szews ..... D12/211  
D635,904 S \* 4/2011 Futschik ..... D12/209  
D645,389 S \* 9/2011 Nissl ..... D12/209  
D645,391 S \* 9/2011 Weil ..... D12/209  
D649,923 S \* 12/2011 Hans ..... D12/211  
D651,956 S \* 1/2012 Ectors ..... D12/209  
D660,763 S \* 5/2012 Chan ..... D12/209  
D660,768 S \* 5/2012 De Bono ..... D12/211

(Continued)

**OTHER PUBLICATIONS**

(Design—© Questel) orbit.com.[online PDF] 38 pgs. Publish Dates range from Nov. 3, 2010 to Apr. 24, 2017. [Retrieved on Apr. 9, 2018] <https://sobjprd.questel.fr/export/QPTUJ214/pdf2/061da86f-0fa3-4a04-b3f5-5e0d33f11711-174809.pdf>.\*

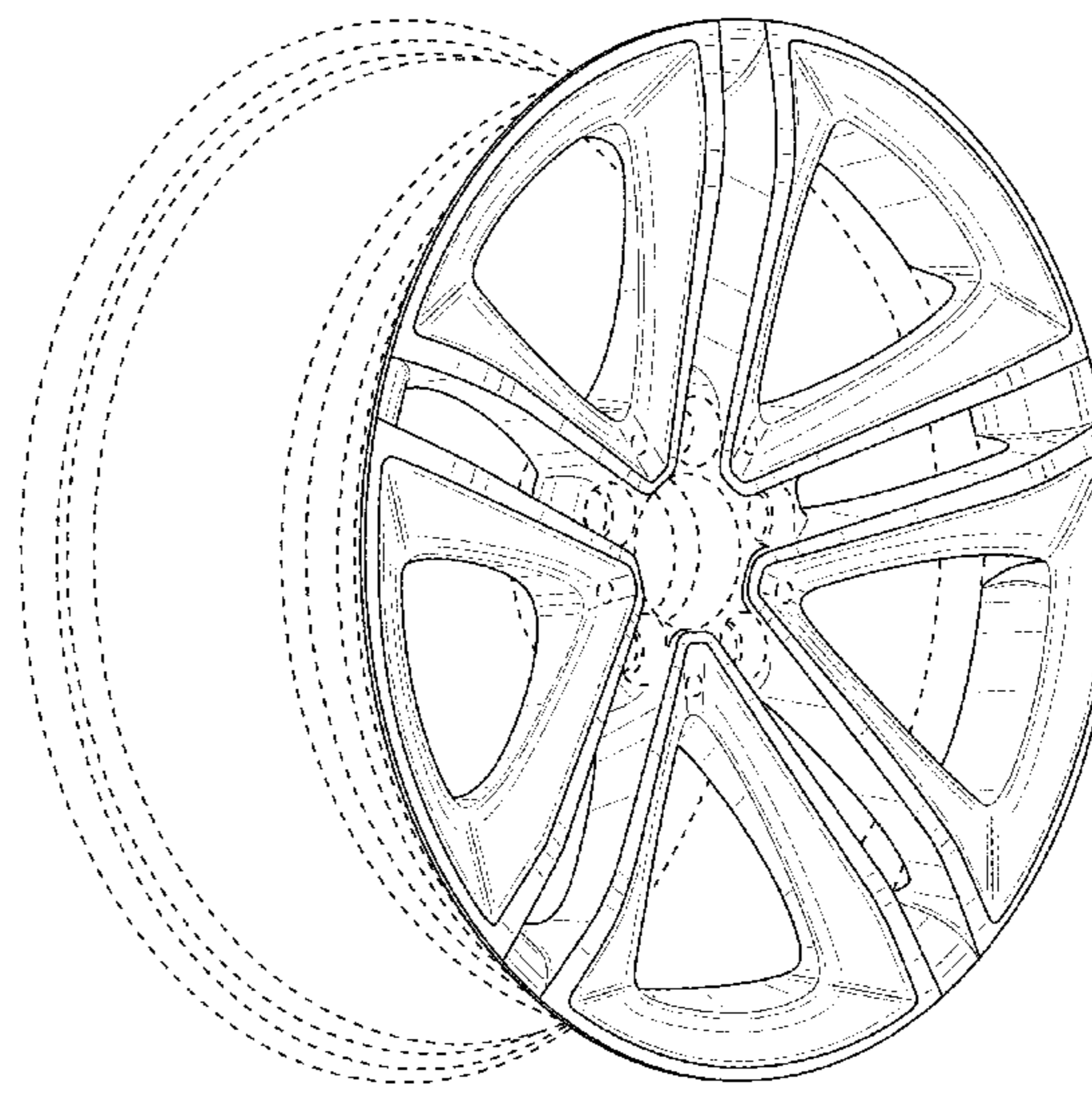
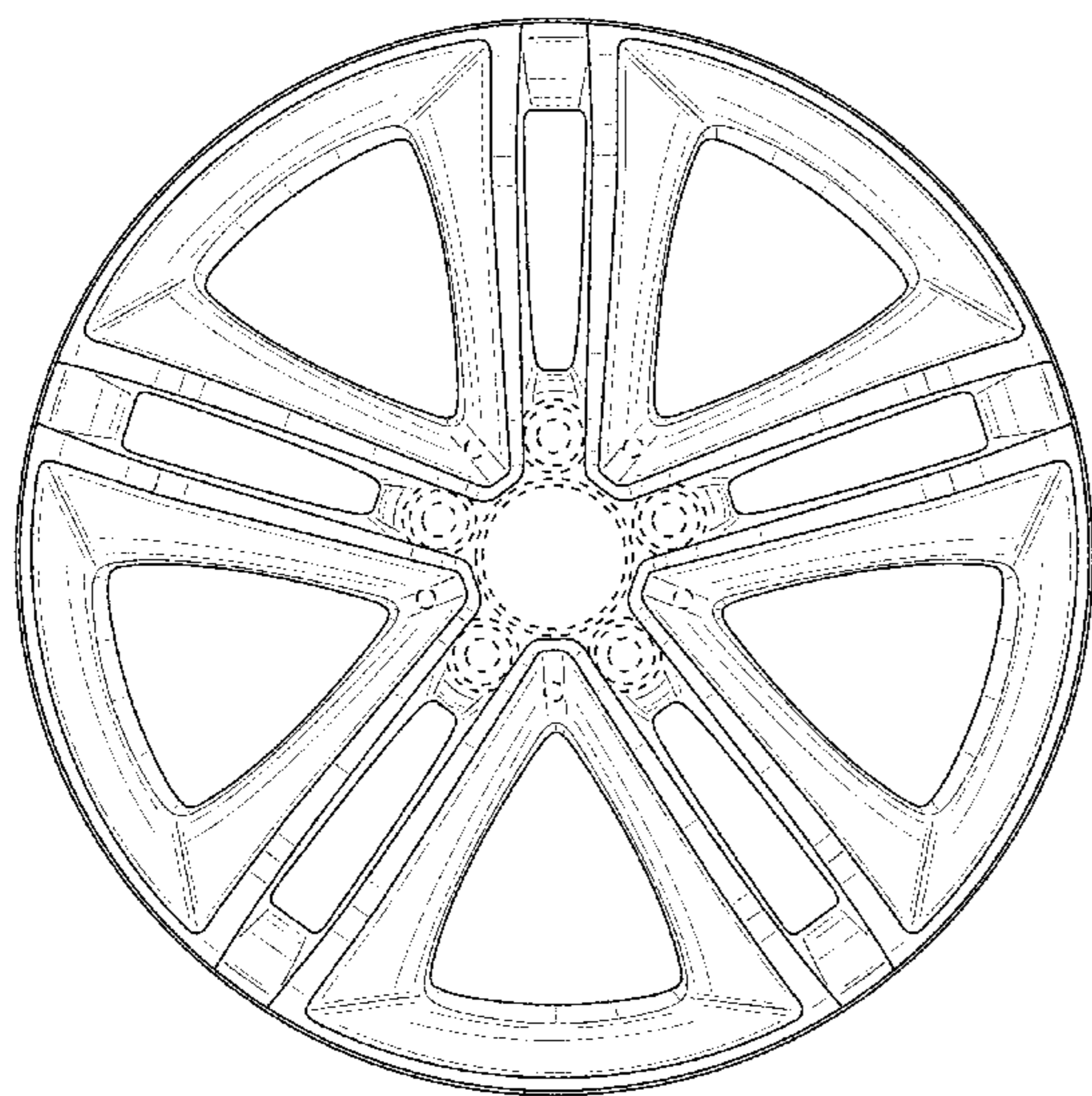
*Primary Examiner* — Susan Bennett Hattan  
*Assistant Examiner* — Marie D. Fast Horse  
(74) *Attorney, Agent, or Firm* — Crowell & Moring LLP

(57) **CLAIM**  
The ornamental design for a wheel or wheel cover, as shown and described.

**DESCRIPTION**

FIG. 1 is a front view of a wheel or wheel cover according to the design; and, FIG. 2 is a perspective view thereof. The broken lines in the drawings depict environmental subject matter only and form no part of the claimed design.

**1 Claim, 2 Drawing Sheets**



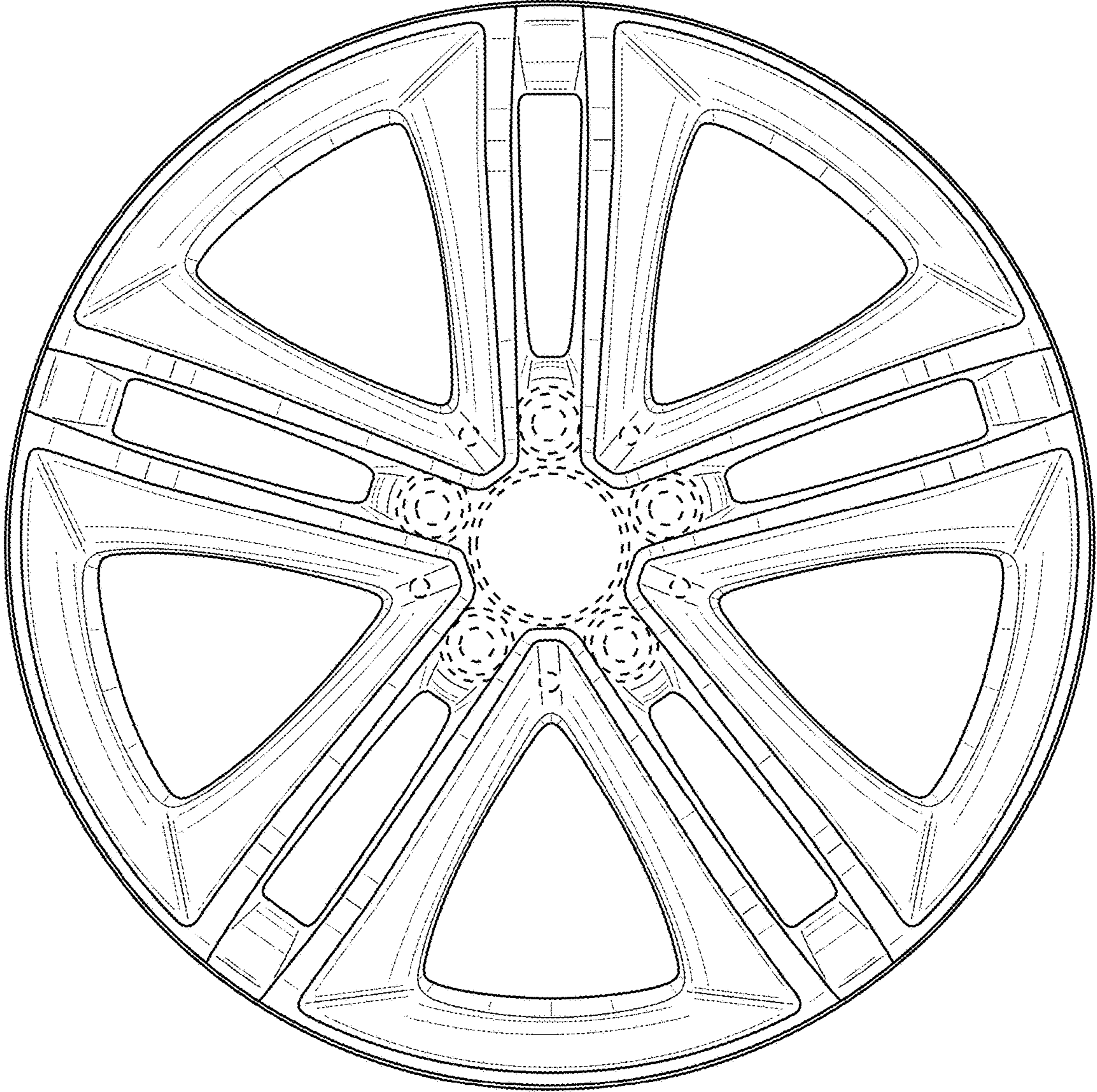
(56)

**References Cited**

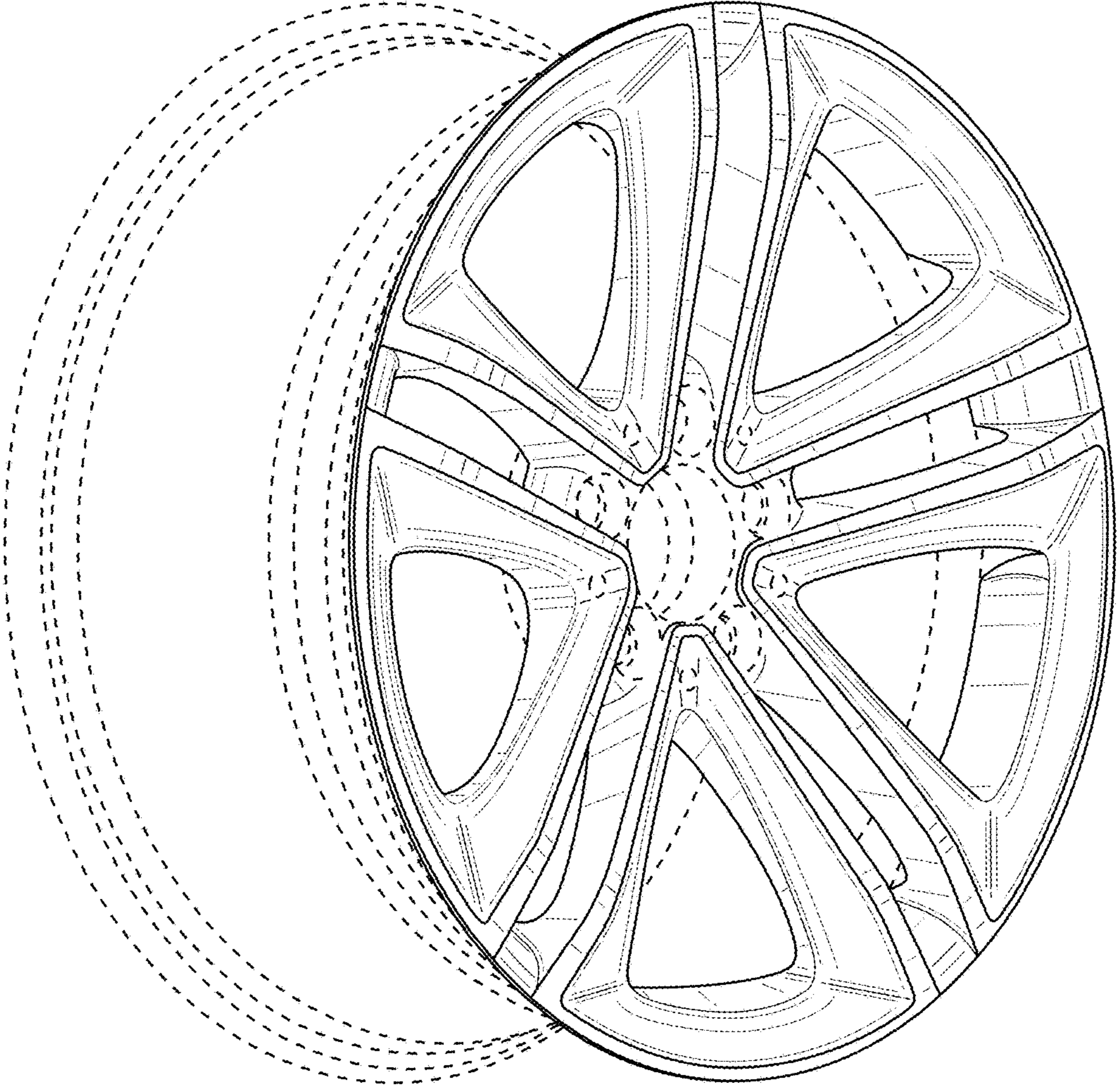
## U.S. PATENT DOCUMENTS

D660,771	S	*	5/2012	Mueller-Stolz .....	D12/211
D669,008	S	*	10/2012	Von Holzhausen .....	D12/211
D670,632	S	*	11/2012	Schweizer .....	D12/211
D675,554	S	*	2/2013	Nissl .....	D12/211
D684,519	S	*	6/2013	Garbas .....	D12/211
D686,966	S	*	7/2013	Pollmann .....	D12/211
D688,181	S	*	8/2013	Gotschke .....	D12/209
D688,616	S	*	8/2013	Fetherston .....	D12/211
D714,203	S	*	9/2014	George .....	D12/209
D715,715	S	*	10/2014	Pollmann .....	D12/209
D723,986	S	*	3/2015	Lemke .....	D12/209
D725,570	S	*	3/2015	Mays .....	D12/211
D726,085	S	*	4/2015	Hodges .....	D12/209
D729,721	S	*	5/2015	Fahr-Becker .....	D12/211
D741,239	S	*	10/2015	Wagener .....	D12/209
D747,247	S	*	1/2016	Juergens .....	D12/209
D753,574	S	*	4/2016	Mielke .....	D12/211
D756,879	S	*	5/2016	George .....	D12/211
D767,464	S	*	9/2016	Juergens .....	D12/209
D772,134	S	*	11/2016	Vidojkovic .....	D12/211
D775,050	S	*	12/2016	Vidojkovic .....	D12/211
D776,039	S	*	1/2017	Valencia Pollex .....	D12/209
D785,535	S	*	5/2017	Valencia Pollex .....	D12/209
D786,765	S	*	5/2017	Gardavsky .....	D12/209
D791,039	S	*	7/2017	Rueckheim .....	D12/209
D794,526	S	*	8/2017	Patel .....	D12/209
D801,901	S	*	11/2017	Gardavsky .....	D12/209
D805,457	S	*	12/2017	Setter .....	D12/211
D808,880	S	*	1/2018	Valencia Pollex .....	D12/209

\* cited by examiner



**FIG. 1**



**FIG. 2**