



US00D823220S

(12) **United States Design Patent**
Starr, Jr.

(10) **Patent No.:** **US D823,220 S**

(45) **Date of Patent:** **** Jul. 17, 2018**

(54) **FRONT FACE OF A VEHICLE WHEEL**

(71) Applicant: **Ray Starr, Jr.**, Pompano Beach, FL
(US)

(72) Inventor: **Ray Starr, Jr.**, Pompano Beach, FL
(US)

(**) Term: **15 Years**

(21) Appl. No.: **29/591,213**

(22) Filed: **Jan. 18, 2017**

(51) **LOC (11) Cl.** **12-16**

(52) **U.S. Cl.**
USPC **D12/209**

(58) **Field of Classification Search**
USPC D12/204–213
CPC B60B 7/00; B60B 7/02; B60B 7/04; B60B
7/06; B60B 3/02; B60B 3/04; B60B 3/06;
B60B 3/10

See application file for complete search history.

(56) **References Cited**

U.S. PATENT DOCUMENTS

D197,839 S * 3/1964 Logghe D12/211
D386,739 S * 11/1997 Muzzarelli D12/209

D528,959 S * 9/2006 Sycha D12/209
D536,293 S * 2/2007 Brouillette D12/209
D572,186 S * 7/2008 Viandante D12/211
D655,234 S * 3/2012 Zhao D12/211
D703,125 S * 4/2014 Tanghe D12/209
D721,631 S * 1/2015 Ferrett D12/211
D736,688 S * 8/2015 Simpson D12/209
D740,735 S * 10/2015 Matsumura D12/211
D767,465 S * 9/2016 Liffick D12/209
D792,317 S * 7/2017 Chung D12/213
D792,831 S * 7/2017 Chung D12/213

* cited by examiner

Primary Examiner — Sheryl Lane

Assistant Examiner — Calvin E Vansant

(74) *Attorney, Agent, or Firm* — Harpman & Harpman

(57) **CLAIM**

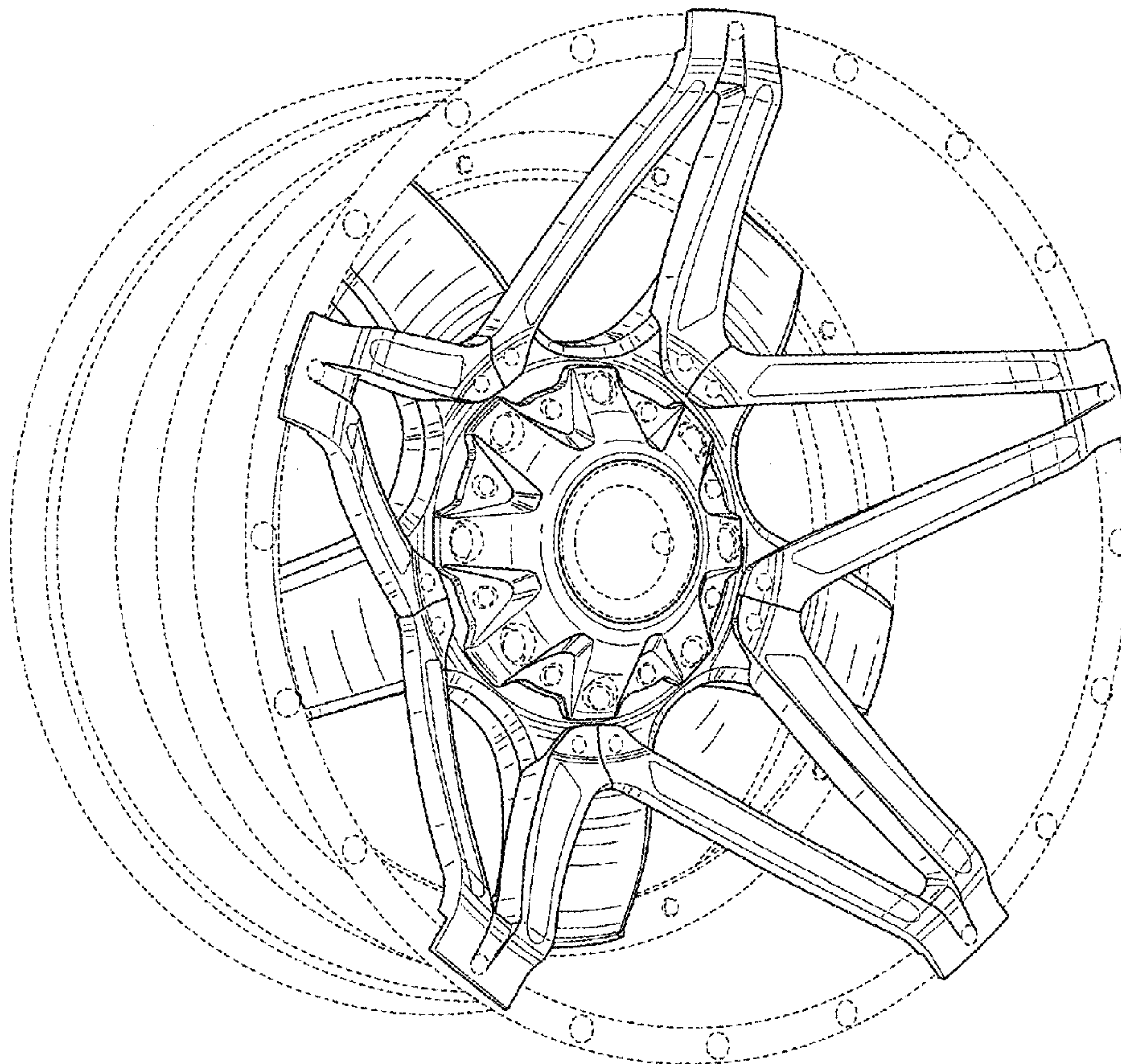
The ornamental design for a front face of a vehicle wheel,
as shown and described.

DESCRIPTION

FIG. 1 is a perspective view of the front face of the wheel
according to the present invention; and,
FIG. 2 is a front elevational view thereof.

The broken lines depict portions of the front face of a vehicle
wheel that form no part of the claimed design.

1 Claim, 2 Drawing Sheets



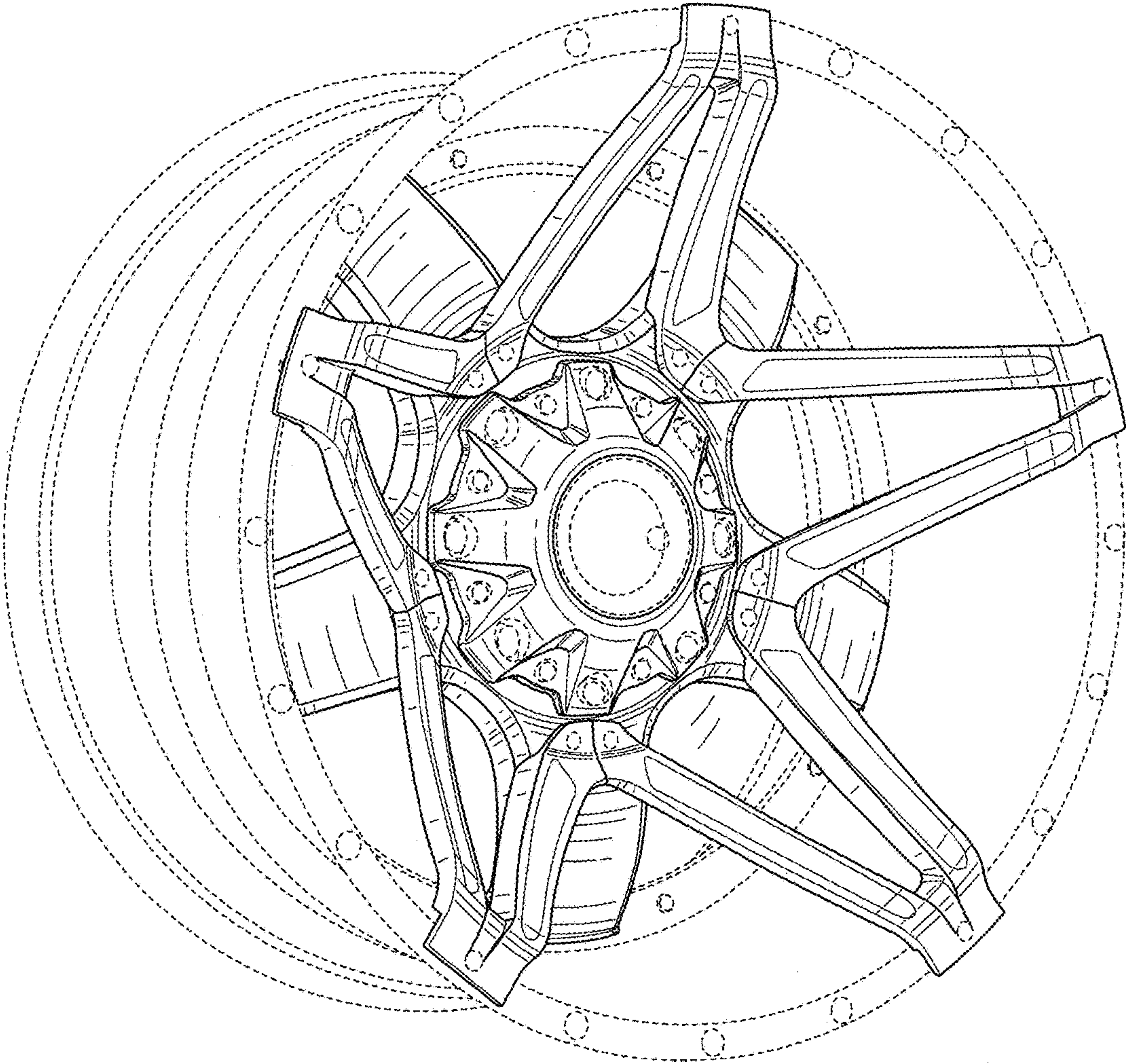


FIG. 1

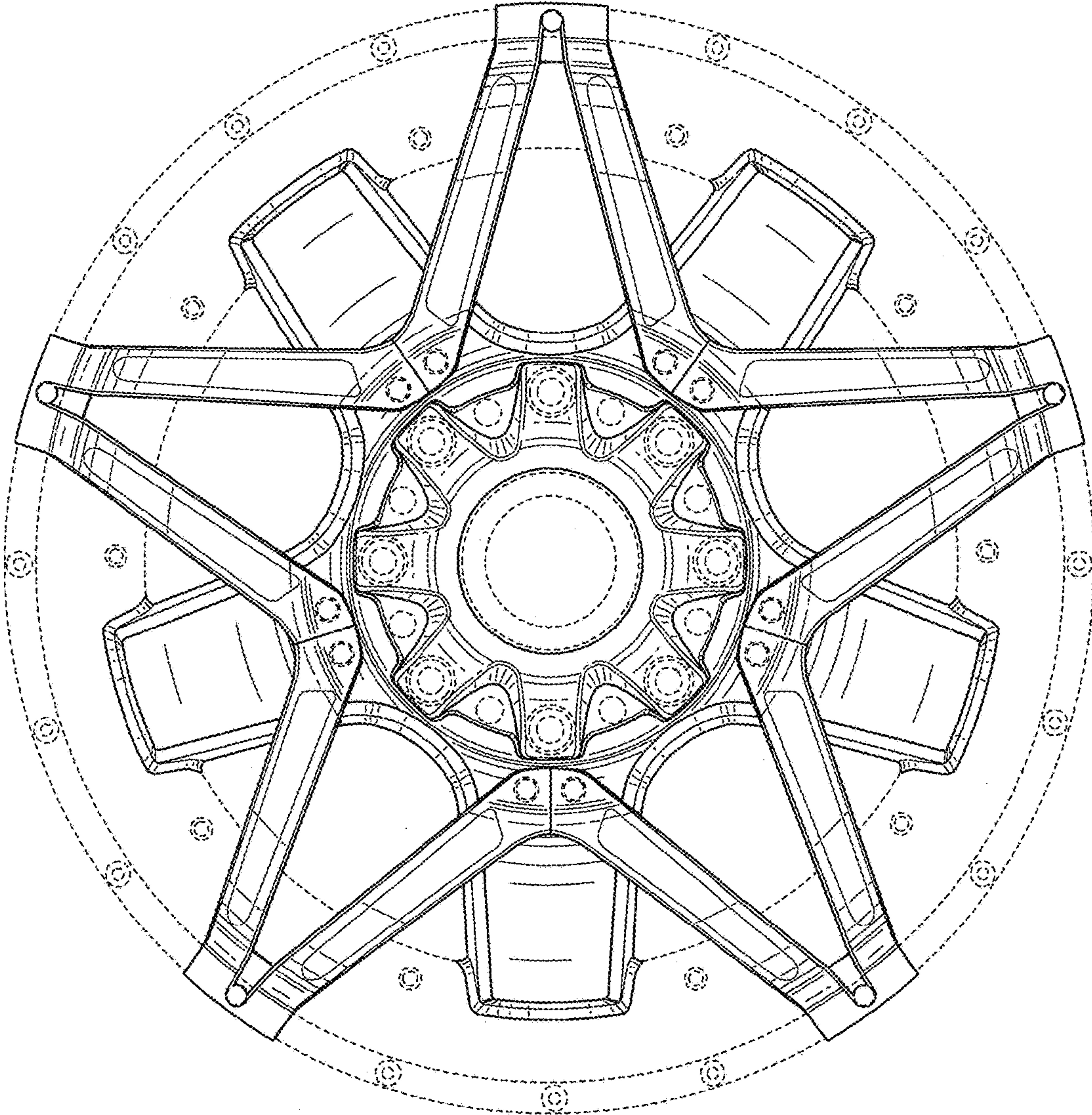


FIG. 2