



US00D823219S

(12) **United States Design Patent**  
**Lickliter**

(10) **Patent No.:** **US D823,219 S**  
(45) **Date of Patent:** **\*\* Jul. 17, 2018**

(54) **WHEEL**

(71) Applicant: **Wheel Pros, LLC**, Greenwood Village, CO (US)

(72) Inventor: **Hans Lickliter**, Canyon Country, CA (US)

(\*\*) Term: **15 Years**

(21) Appl. No.: **29/579,562**

(22) Filed: **Sep. 30, 2016**

(51) **LOC (11) Cl.** ..... **12-16**

(52) **U.S. Cl.**  
USPC ..... **D12/209**

(58) **Field of Classification Search**  
USPC ..... D12/204–213  
CPC .... B60B 7/00; B60B 7/02; B60B 7/04; B60B 7/01; B60B 7/06; B60B 3/02; B60B 3/04; B60B 3/06; B60B 3/10; B60B 1/00; B60B 1/08; B60B 1/10; B60B 1/12  
See application file for complete search history.

|            |           |             |         |
|------------|-----------|-------------|---------|
| D482,996 S | 12/2003   | Sulahian    |         |
| D492,925 S | 7/2004    | Fitzgerald  |         |
| D496,317 S | 9/2004    | Kataoka     |         |
| D524,713 S | * 7/2006  | Brouillette | D12/211 |
| D571,702 S | * 6/2008  | Guidry      | D12/209 |
| D669,007 S | * 10/2012 | Starr, Jr.  | D12/209 |
| D695,201 S | * 12/2013 | Zhao        | D12/211 |
| D698,298 S | 1/2014    | Cortes      |         |
| D701,811 S | * 4/2014  | Hale, Jr.   | D12/211 |
| D706,702 S | * 6/2014  | Chung       | D12/211 |
| D711,304 S | 8/2014    | Chung       |         |
| D715,211 S | 10/2014   | Gotschke    |         |
| D719,891 S | * 12/2014 | Johnson     | D12/209 |
| D723,995 S | * 3/2015  | Zhao        | D12/211 |
| D742,294 S | * 11/2015 | Iancului    | D12/204 |
| D781,196 S | * 3/2017  | Youn        | D12/209 |
| D784,239 S | * 4/2017  | Chung       | D12/211 |
| D787,411 S | * 5/2017  | Peat        | D12/211 |

\* cited by examiner

*Primary Examiner* — Stacia A Cadmus

(74) *Attorney, Agent, or Firm* — Eric Hanscom

(57) **CLAIM**

The ornamental design for a wheel, as shown and described.

**DESCRIPTION**

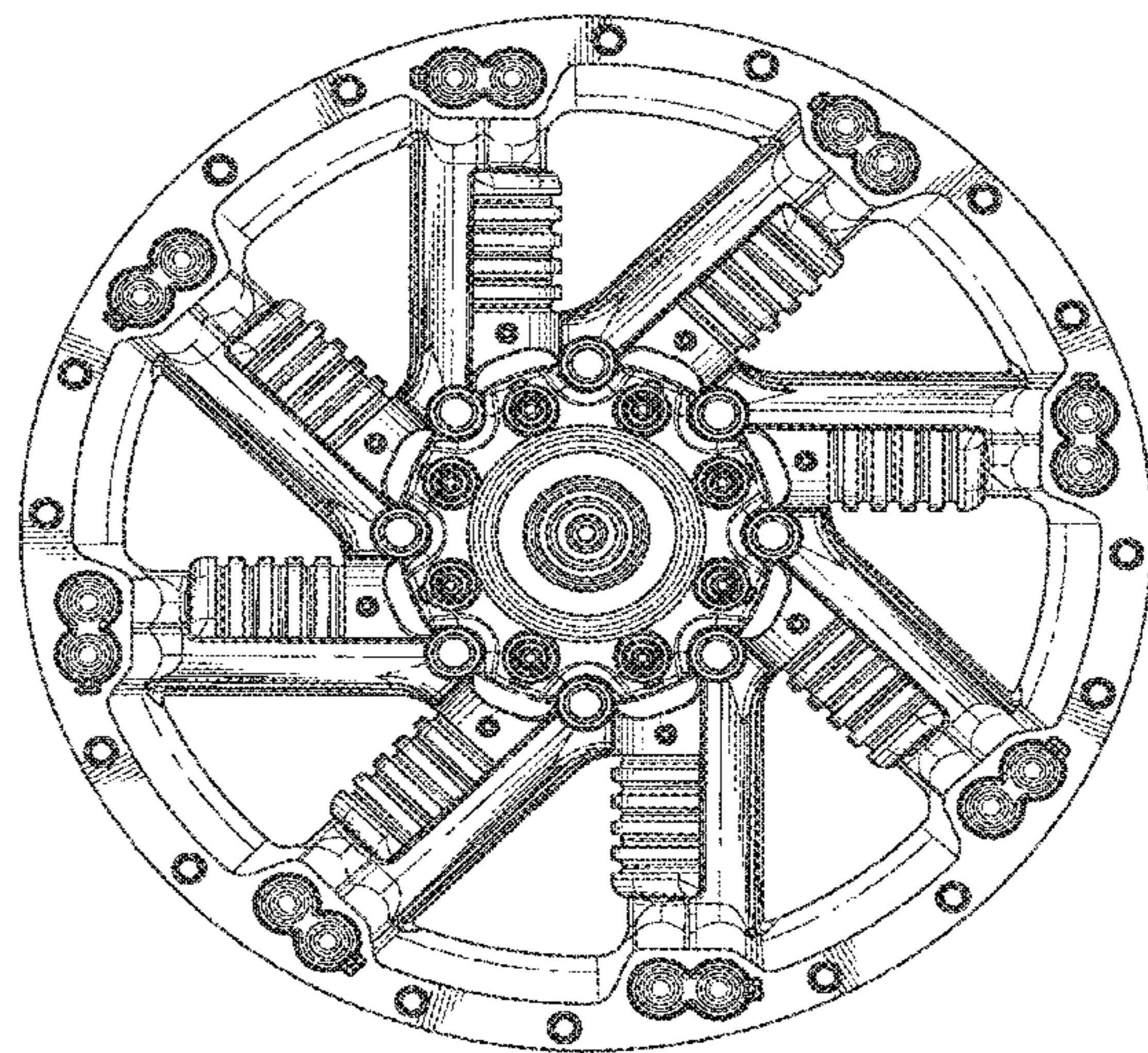
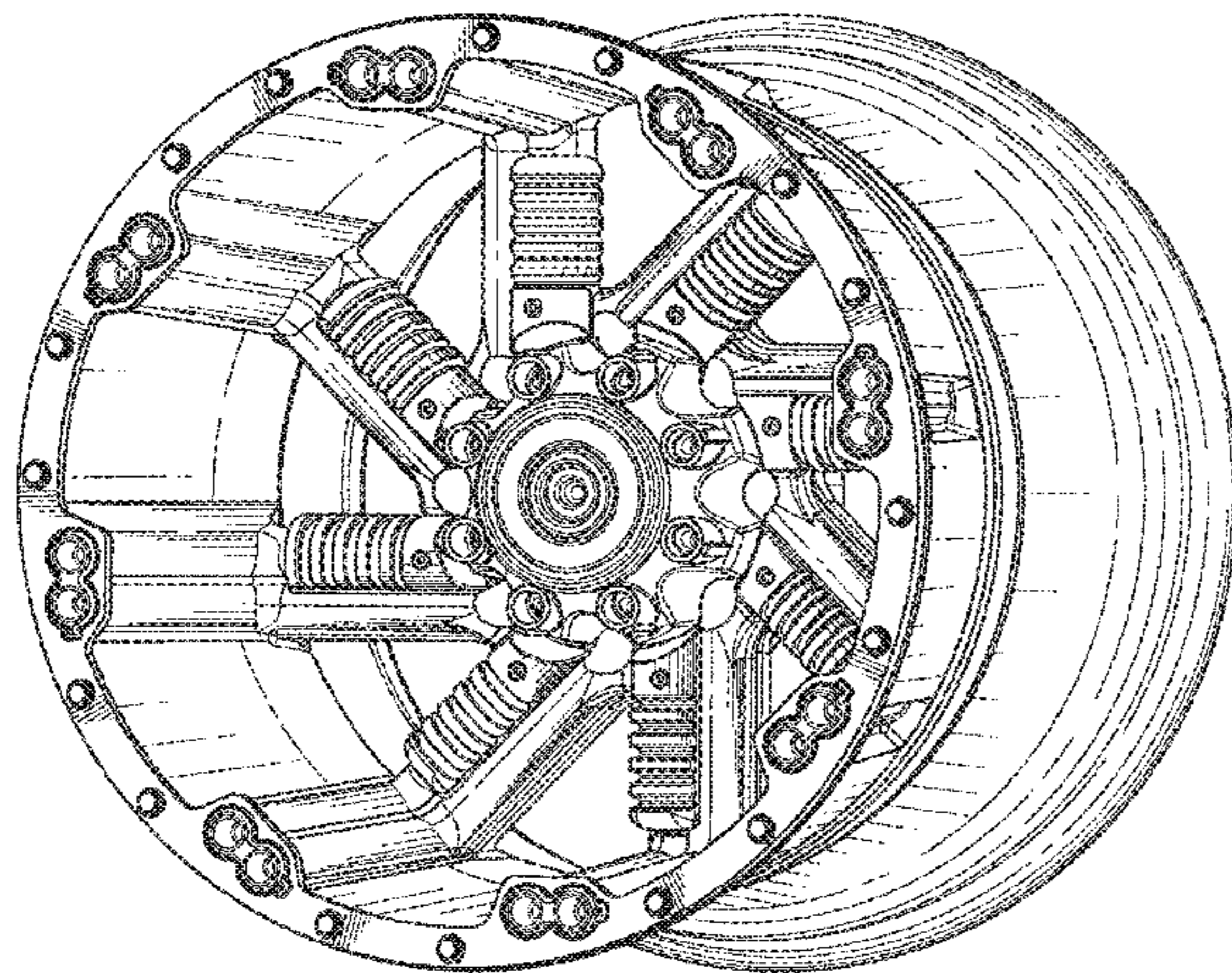
FIG. 1 is a perspective view of a wheel showing my new design;  
FIG. 2 is a front view thereof;  
FIG. 3 is a left-side view thereof;  
FIG. 4 is a right-side view thereof; and,  
FIG. 5 is a bottom view thereof.

**1 Claim, 5 Drawing Sheets**

(56) **References Cited**

**U.S. PATENT DOCUMENTS**

|            |          |          |         |
|------------|----------|----------|---------|
| D273,102 S | 3/1984   | Woodward |         |
| D291,796 S | 9/1987   | Reid     |         |
| D361,975 S | 9/1995   | Weld     |         |
| D392,239 S | * 3/1998 | Cullen   | D12/211 |
| D408,775 S | 4/1999   | Shikado  |         |
| D455,698 S | 4/2002   | Chung    |         |
| D467,212 S | 12/2002  | Noriega  |         |
| D478,542 S | 8/2003   | Sulahian |         |



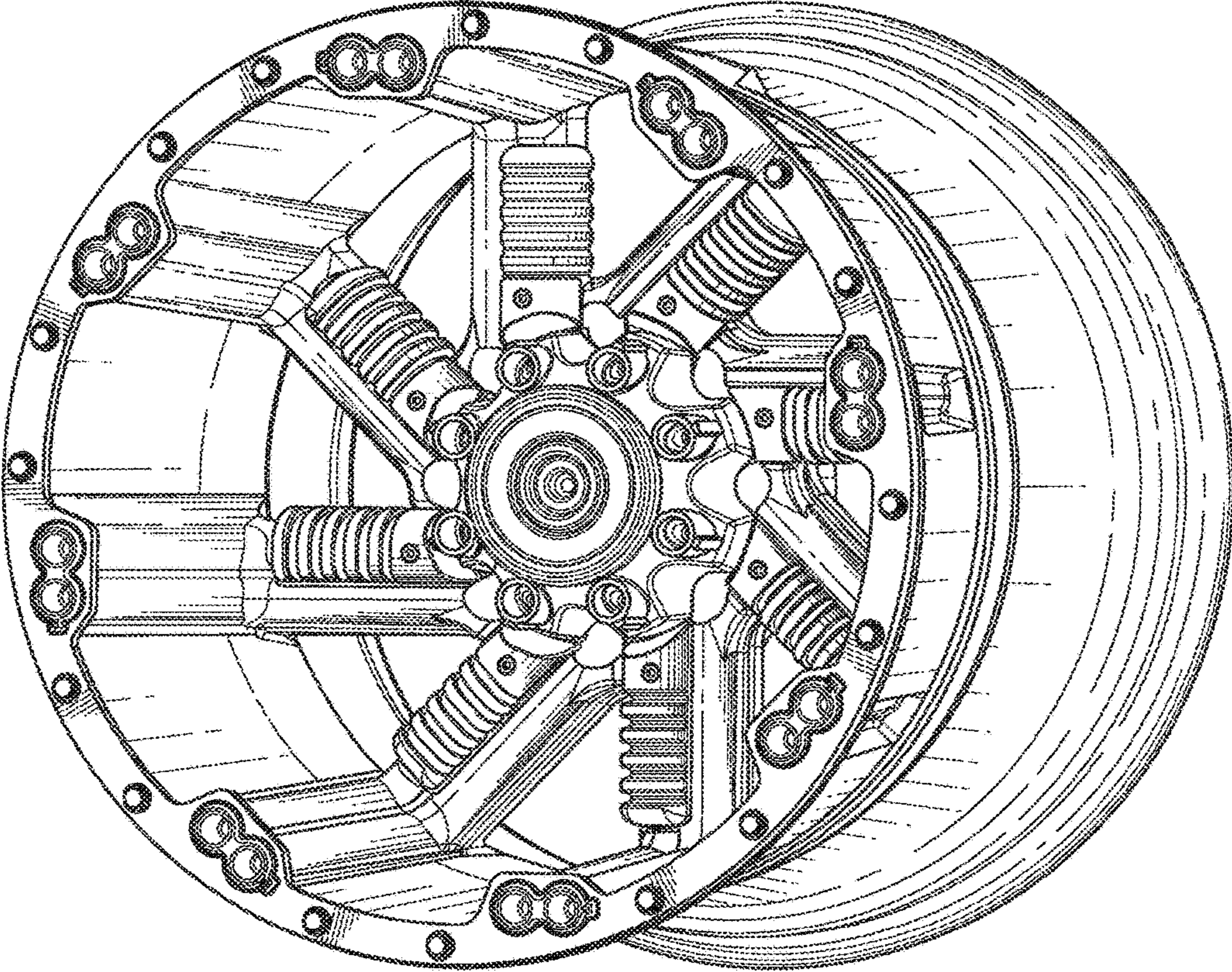


FIG. 1

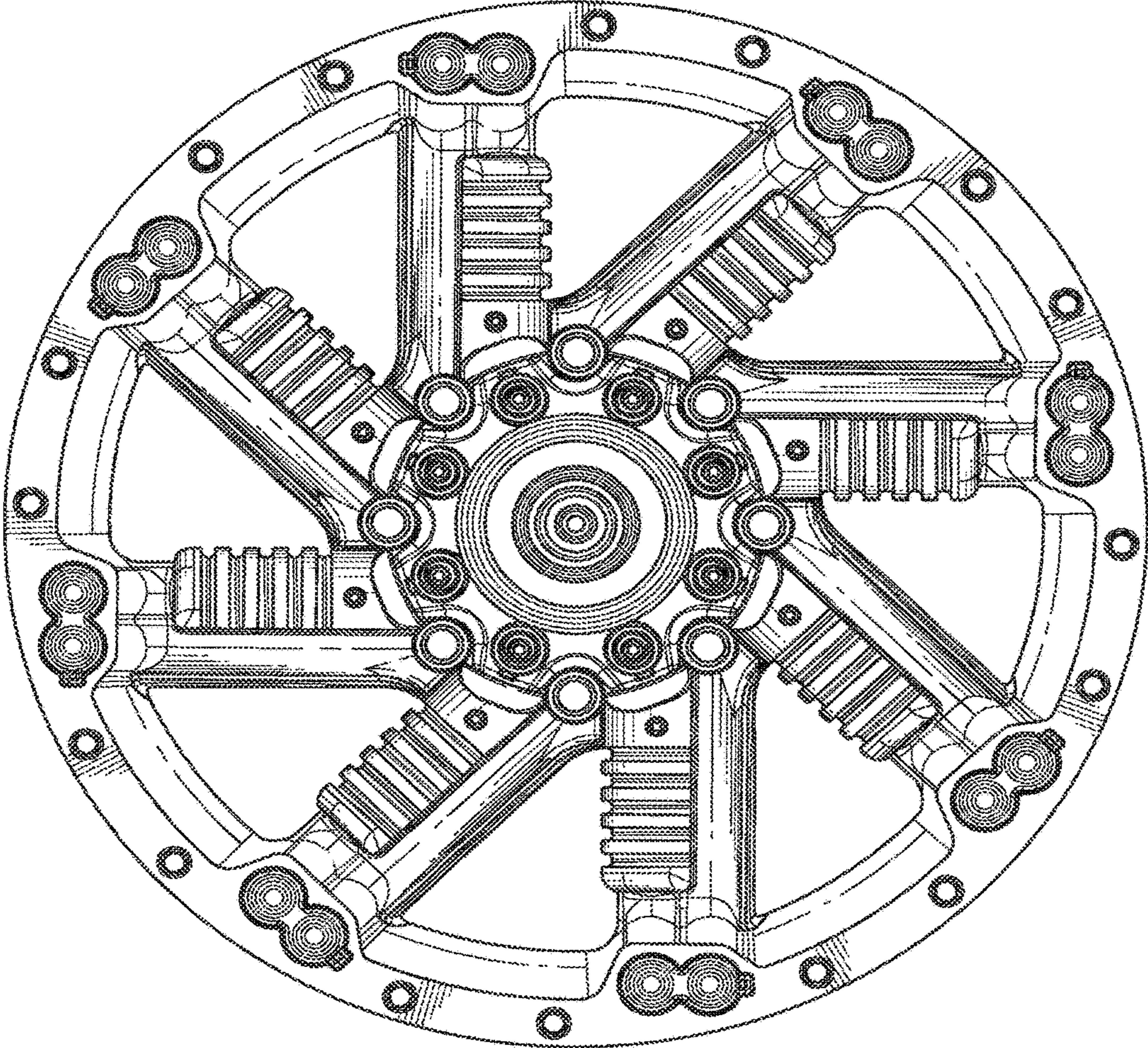


FIG. 2

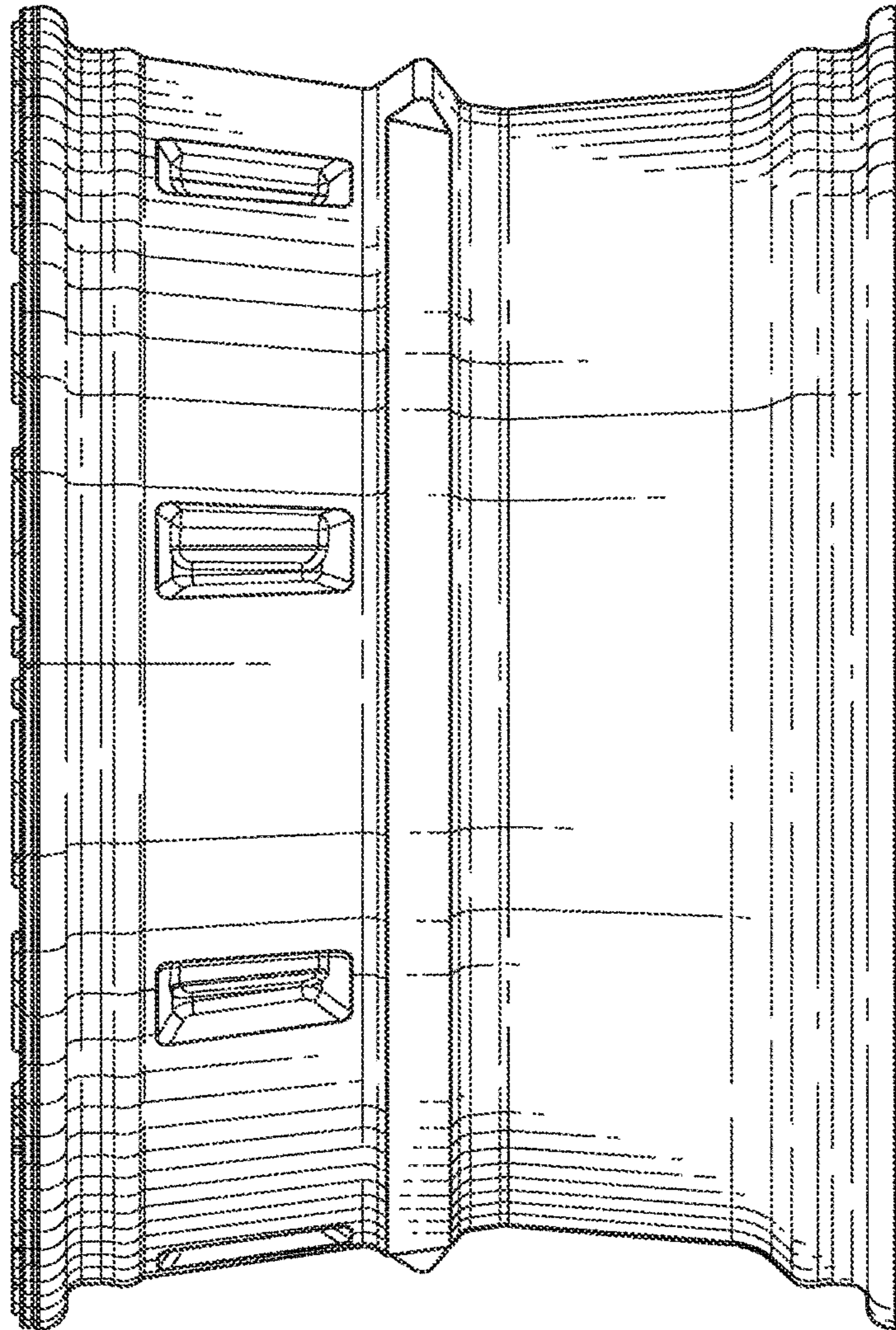


FIG. 3

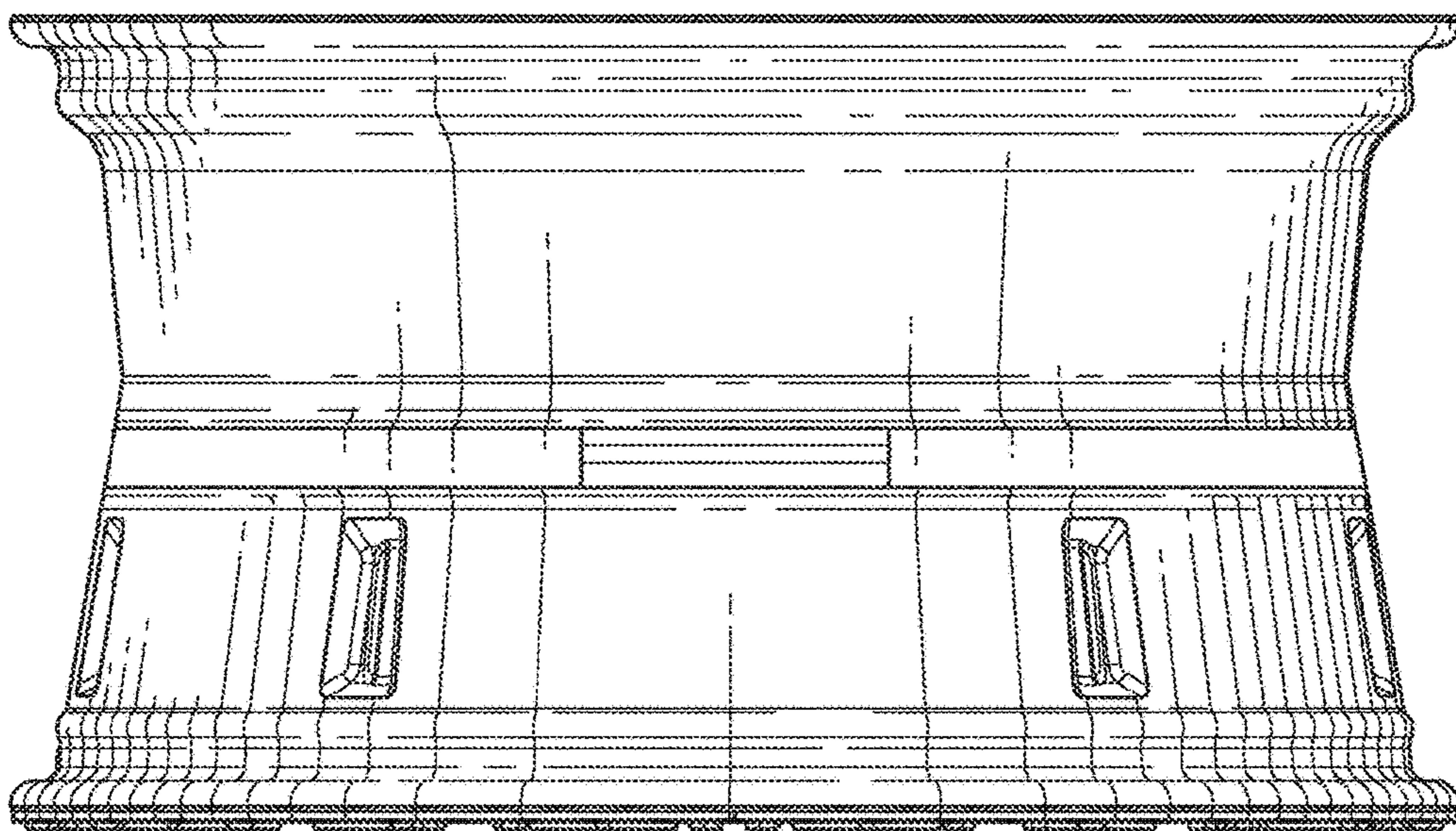


FIG. 4

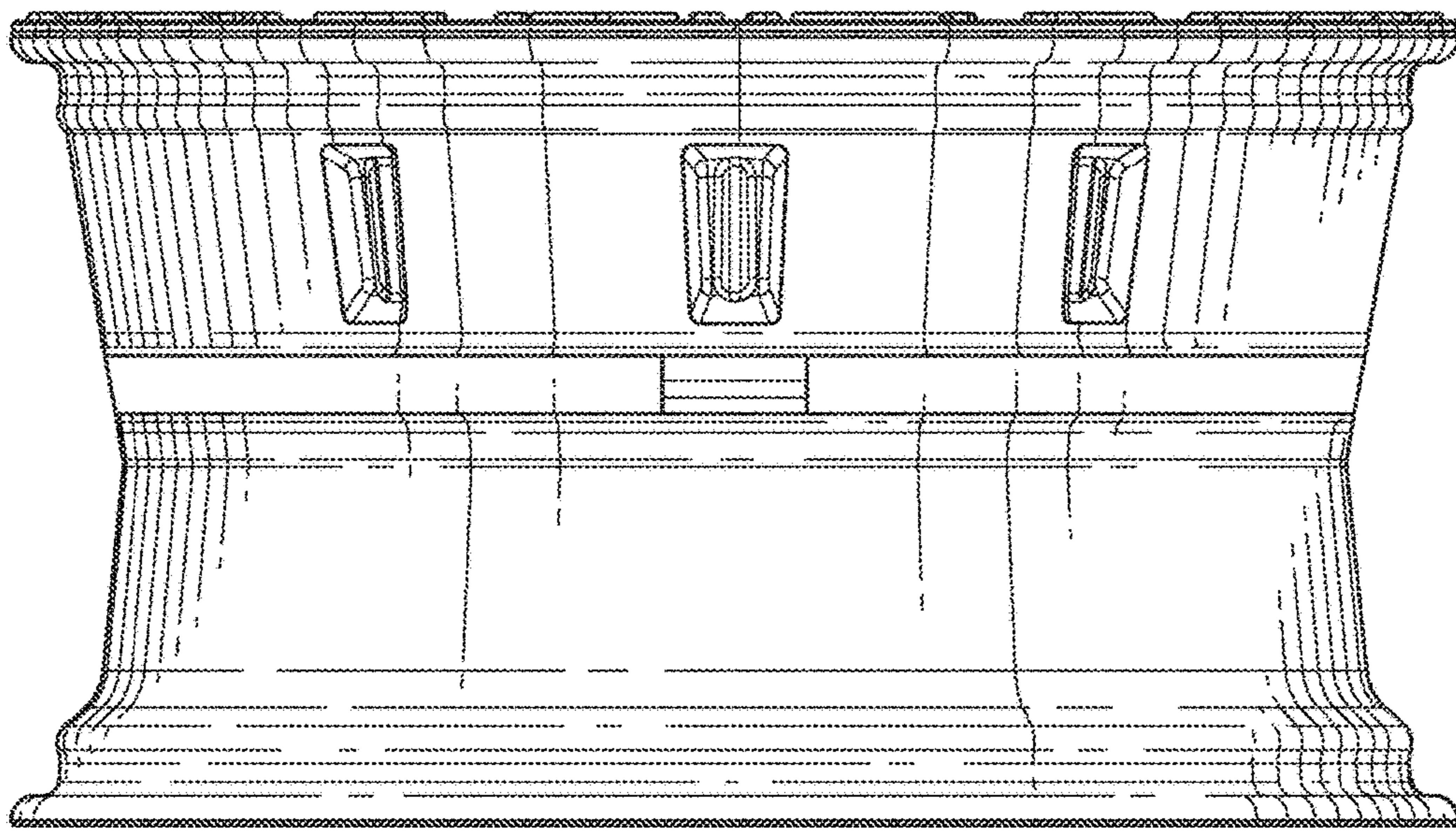


FIG. 5