



US00D823214S

(12) **United States Design Patent**
Chung

(10) **Patent No.:** **US D823,214 S**

(45) **Date of Patent:** **** Jul. 17, 2018**

(54) **AUTOMOTIVE WHEEL**

(71) Applicant: **Suny Chung**, Anaheim, CA (US)

(72) Inventor: **Suny Chung**, Anaheim, CA (US)

(**) Term: **15 Years**

(21) Appl. No.: **29/551,853**

(22) Filed: **Jan. 18, 2016**

(51) **LOC (11) Cl.** **12-16**

(52) **U.S. Cl.**
USPC **D12/209**

(58) **Field of Classification Search**
USPC D12/204–213
CPC B60B 7/00; B60B 7/02; B60B 7/04; B60B 7/01; B60B 7/06; B60B 3/02; B60B 3/04; B60B 3/06; B60B 3/10; B60B 1/00; B60B 1/08; B60B 1/10; B60B 1/12
See application file for complete search history.

(56) **References Cited**

U.S. PATENT DOCUMENTS

D337,563 S *	7/1993	Boselli	D12/209
D352,688 S *	11/1994	Boselli	D12/211
D396,208 S *	7/1998	Baumgartner	D12/211
D471,144 S *	3/2003	Pfeiffer	D12/209
D484,446 S *	12/2003	Pfeiffer	D12/211
D507,775 S *	7/2005	Pfeiffer	D12/211
D527,326 S *	8/2006	Pfeiffer	D12/209
D538,729 S *	3/2007	Pfeiffer	D12/209
D573,082 S *	7/2008	Young	D12/211
D582,828 S *	12/2008	Young	D12/211
D671,062 S *	11/2012	Dilber	D12/211

D704,117 S *	5/2014	Chung	D12/209
D704,122 S *	5/2014	Chung	D12/211
D714,708 S *	10/2014	Chung	D12/211
D721,317 S *	1/2015	Kern	D12/211
D727,825 S *	4/2015	Chung	D12/211
D751,017 S *	3/2016	Chung	D12/209
D768,045 S *	10/2016	Curic	D12/209

* cited by examiner

Primary Examiner — Stacia A Cadmus

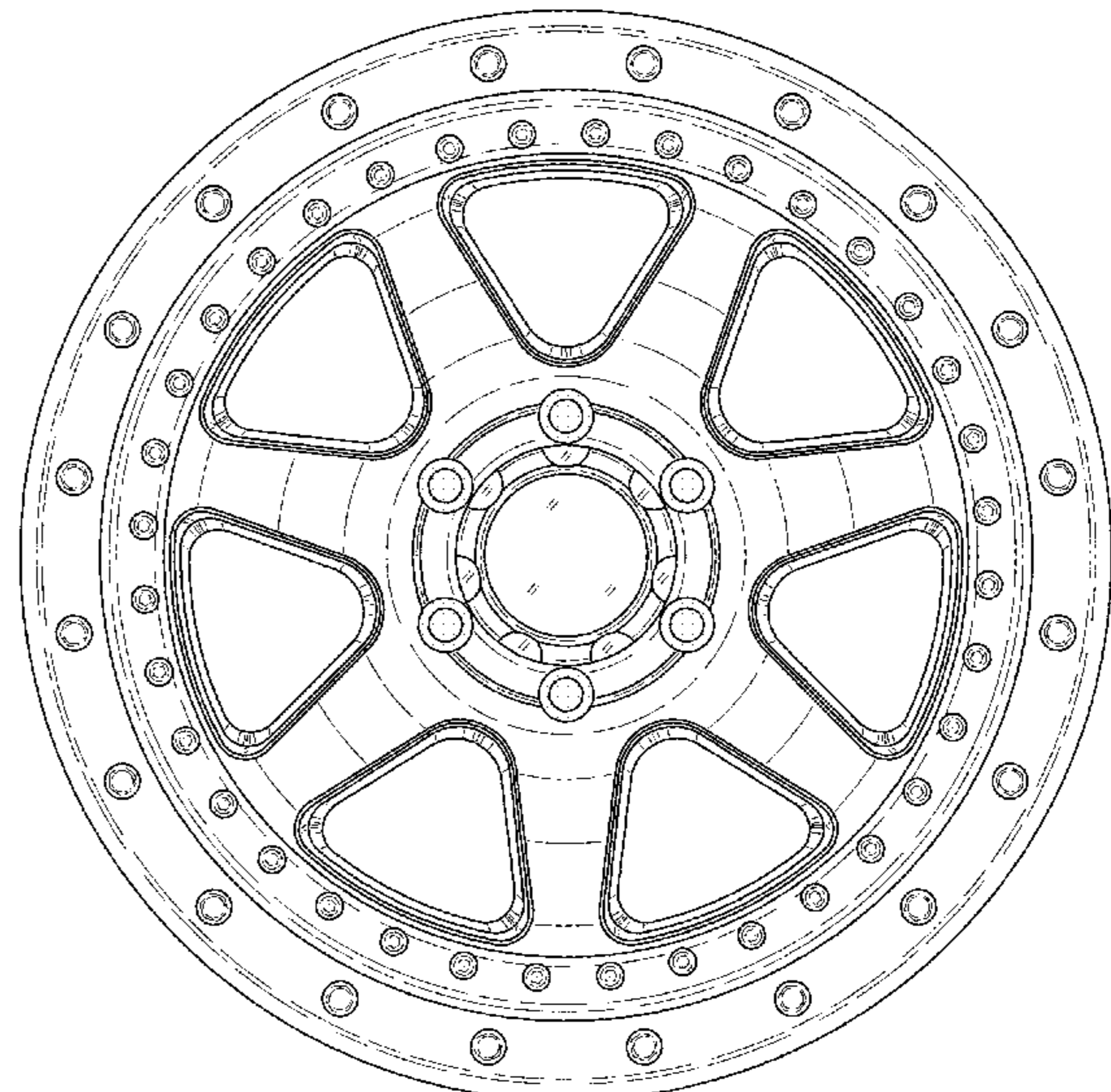
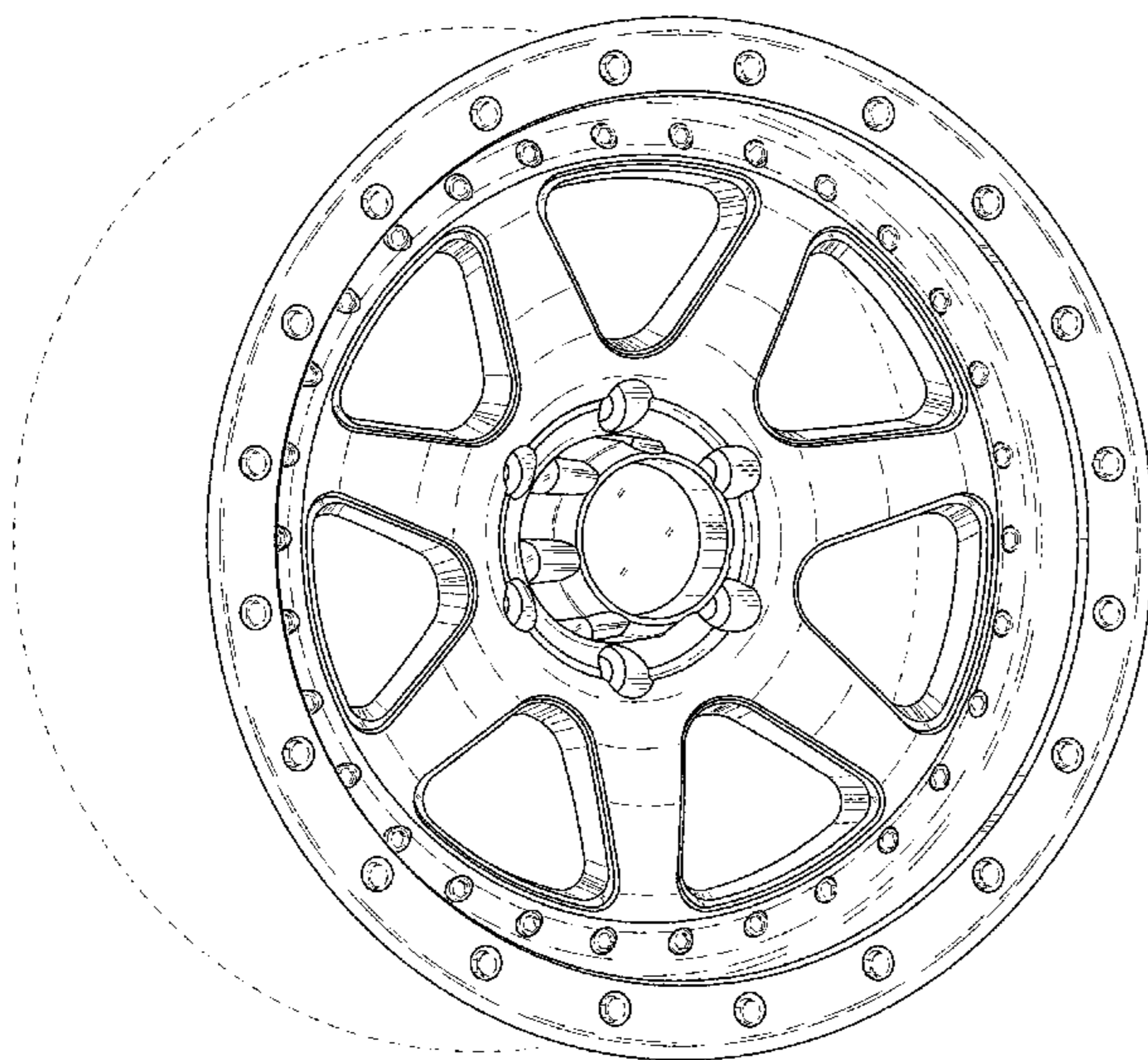
(57) **CLAIM**

The ornamental design for an automotive wheel, as shown and described.

DESCRIPTION

FIG. 1 is a perspective view of an automotive wheel, showing my new design;
 FIG. 2 is a front view thereof;
 FIG. 3 is a perspective view of a second embodiment of an automotive wheel, showing my new design;
 FIG. 4 is a front view of FIG. 3;
 FIG. 5 is a perspective view of a third embodiment of an automotive wheel, showing my new design;
 FIG. 6 is a front view of FIG. 5;
 FIG. 7 is a perspective view of a fourth embodiment of an automotive wheel, showing my new design; and,
 FIG. 8 is a front view of FIG. 7.
 The broken line showing of the wheel is included for the purpose of illustrating environment and forms no part of the claimed design.

1 Claim, 8 Drawing Sheets



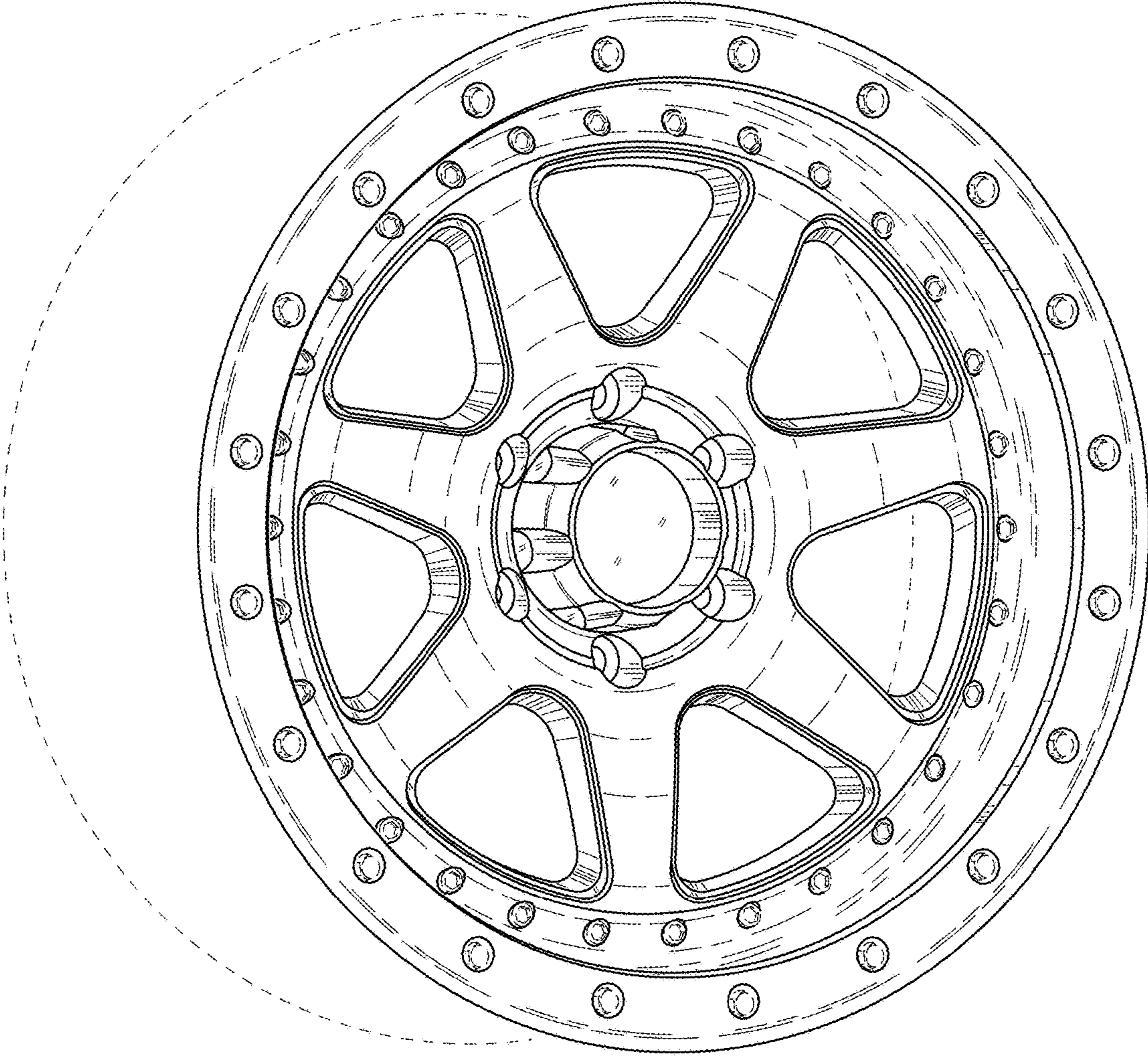


FIGURE 1

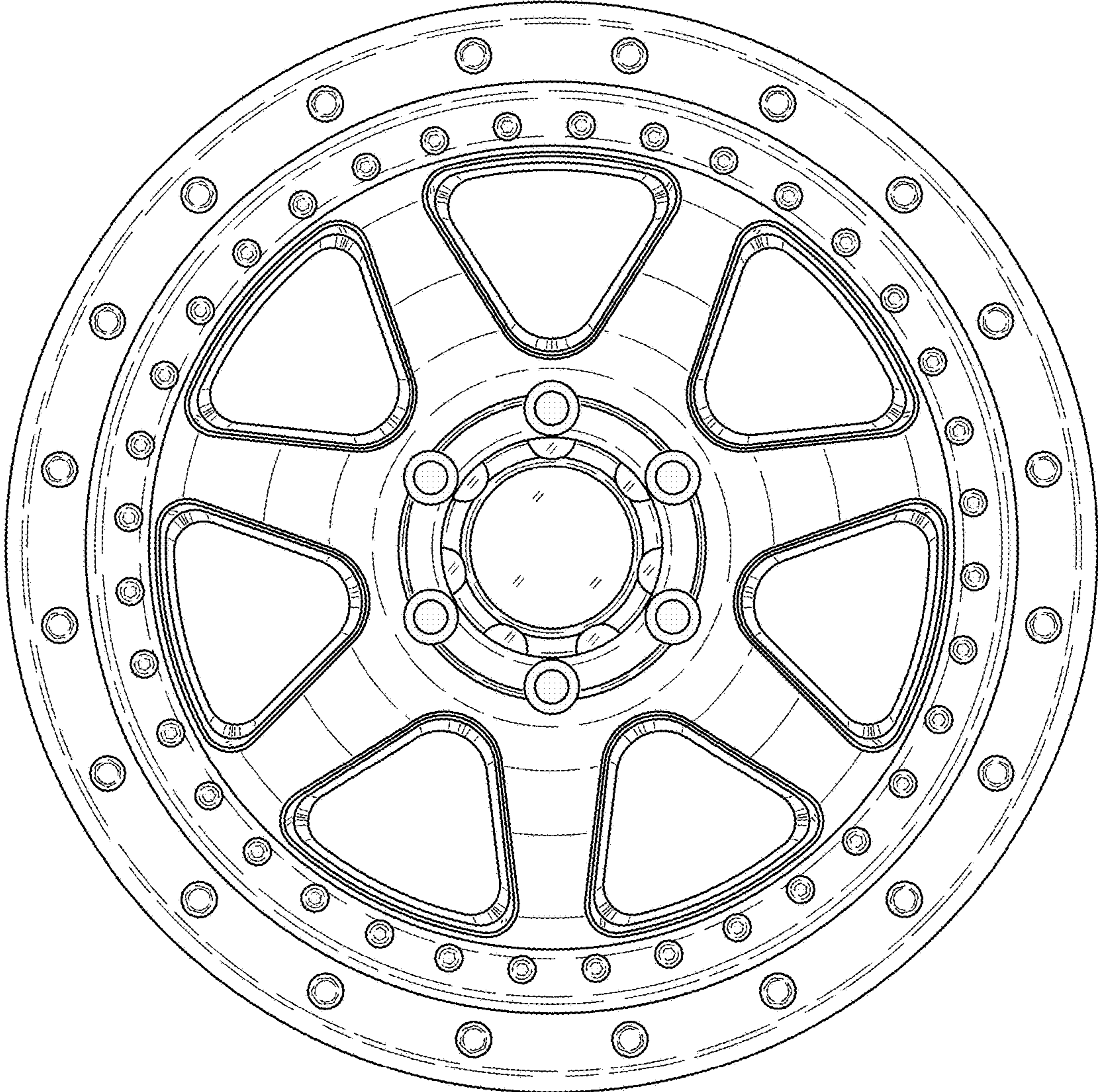


FIGURE 2

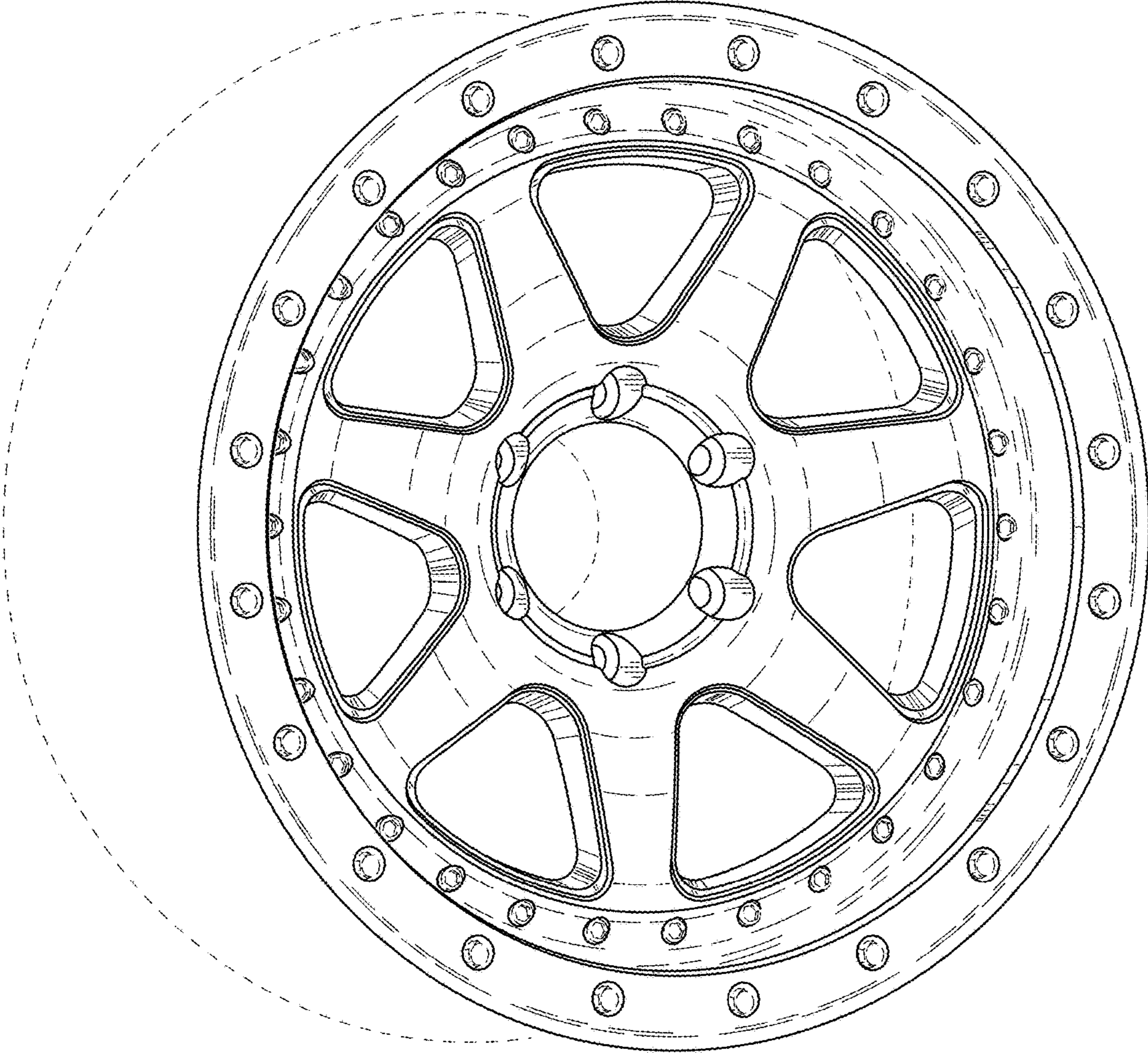


FIGURE 3

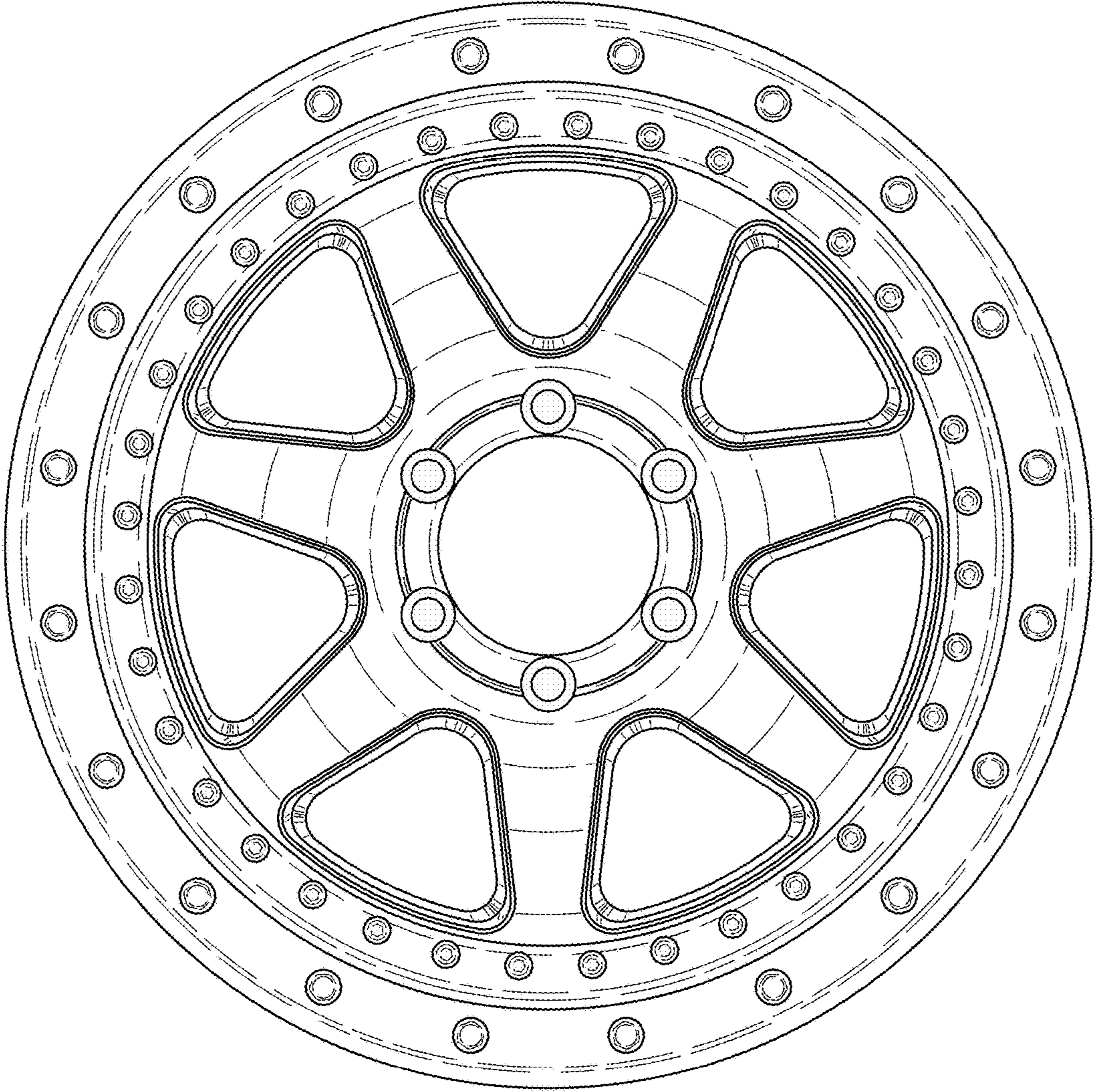


FIGURE 4

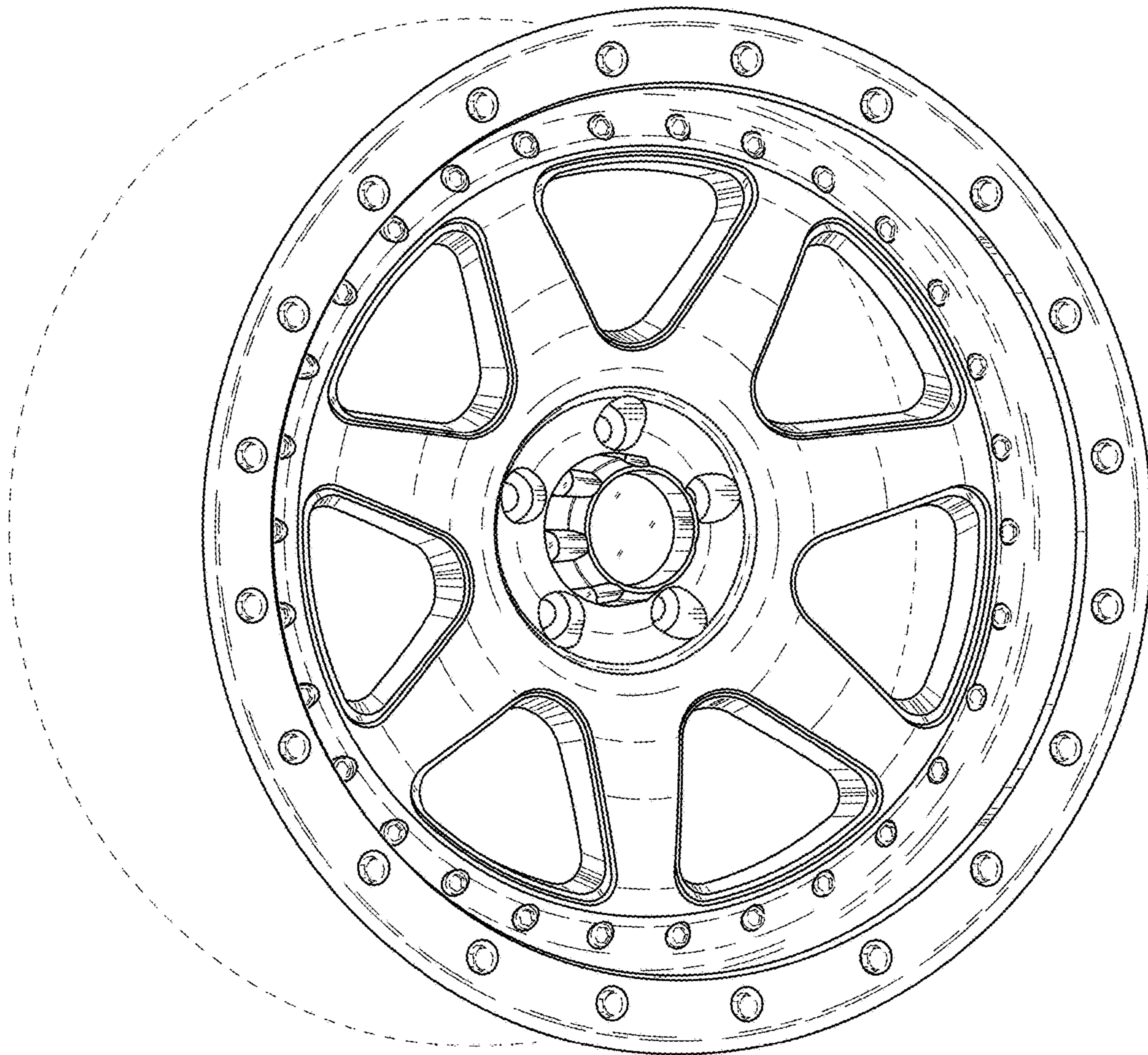


FIGURE 5

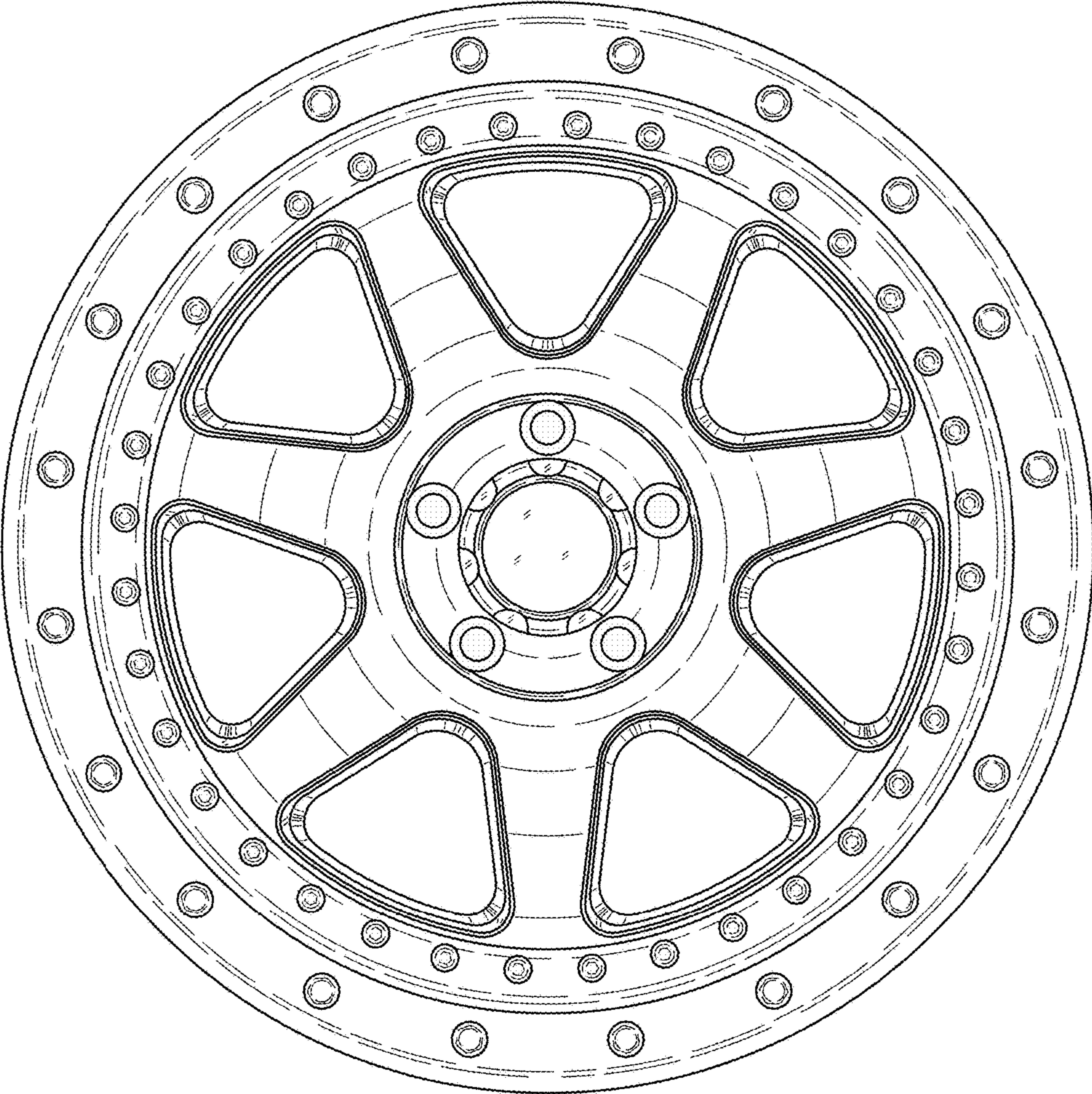


FIGURE 6

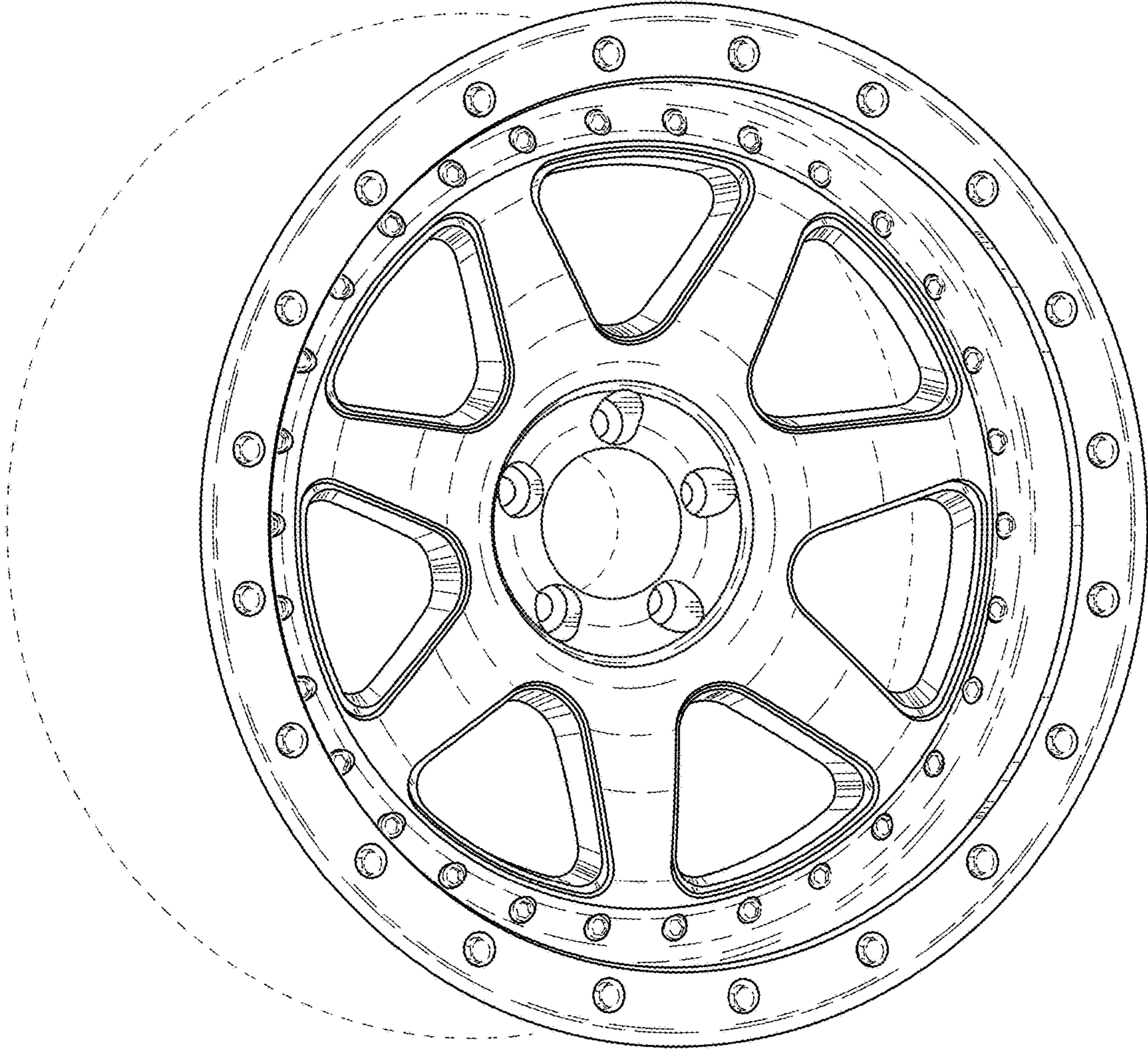


FIGURE 7

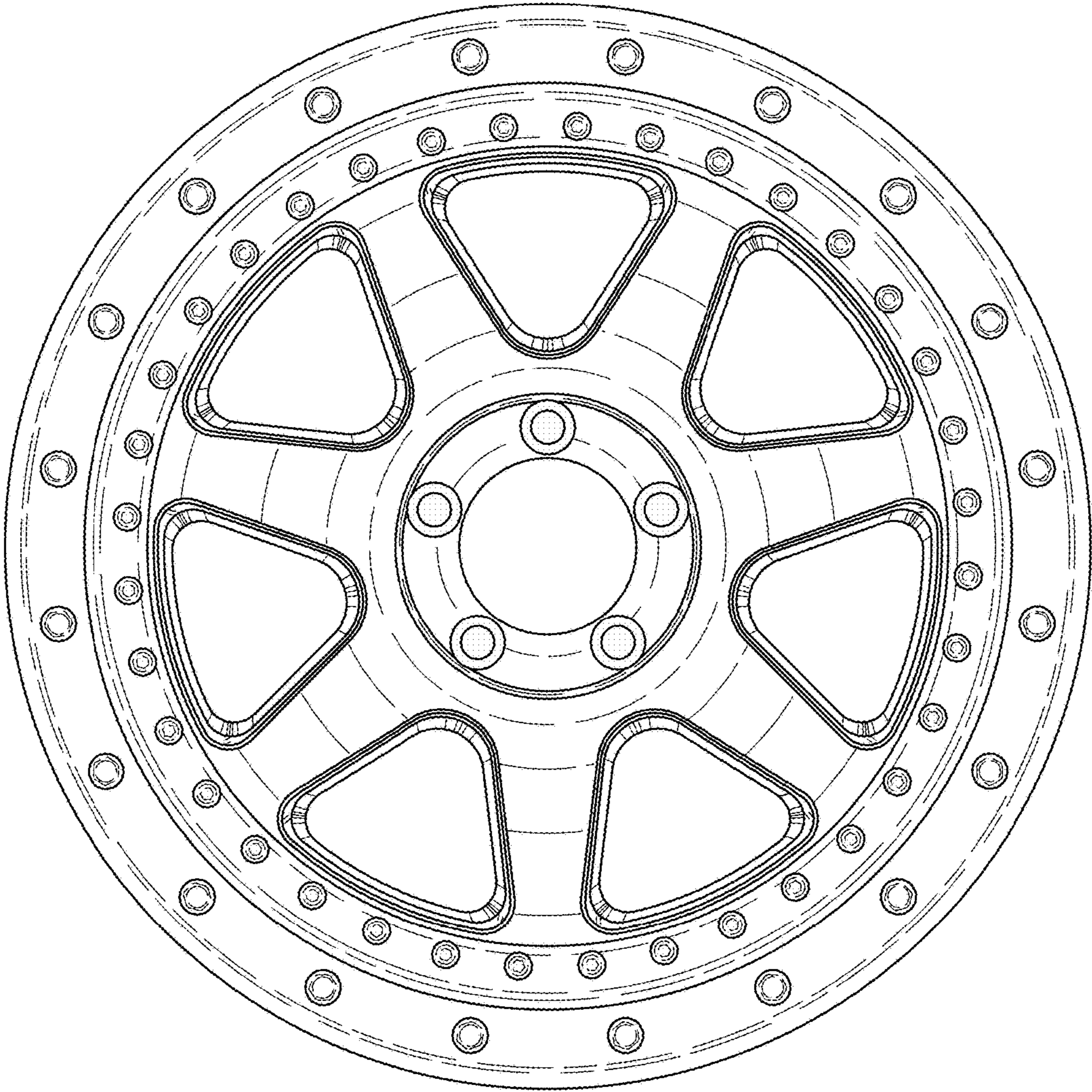


FIGURE 8