



US00D823212S

(12) **United States Design Patent**
Prasad et al.

(10) **Patent No.:** **US D823,212 S**
(45) **Date of Patent:** **** Jul. 17, 2018**

(54) **SPINDLE HUB FOR WHEEL**
(71) Applicant: **ARCONIC INC.**, Pittsburgh, PA (US)
(72) Inventors: **Santosh Prasad**, Murrysville, PA (US);
James T. Burg, Verona, PA (US);
Gabriele F. Ciccola, Hudson, OH (US);
Grant DeGeorge, Strongsville, OH (US);
Michael A. Pacek, Freeport, PA (US)

(73) Assignee: **Arconic Inc.**, Pittsburgh, PA (US)

(**) Term: **15 Years**

(21) Appl. No.: **29/591,920**

(22) Filed: **Jan. 25, 2017**

(51) **LOC (11) Cl.** **12-16**

(52) **U.S. Cl.**
USPC **D12/207**

(58) **Field of Classification Search**
USPC D12/400, 204–213; D23/411, 249, 250,
D23/252, 253; D21/495, 561, 563, 763,
D21/771, 779
CPC B60B 7/00; B60B 7/02; B60B 7/04; B60B
7/01; B60B 7/06; B60B 3/02; B60B 3/04;
B60B 3/06; B60B 3/10; B60B 1/00;
B60B 1/08; B60B 1/10; B60B 1/12;
B60B 27/00; B60B 27/0047; B60B
27/0057; B60B 27/02; B60B 27/06; B60B
27/065; B60B 17/02; B60B 17/0027;
B60B 2340/34; B60B 7/0013
See application file for complete search history.

(56) **References Cited**

U.S. PATENT DOCUMENTS

D16,344 S * 10/1885 Maris D12/207
D28,400 S * 3/1898 Pancost D12/207
D35,036 S * 9/1901 Call D12/207
D45,829 S * 5/1914 Ash D12/207

D45,830 S * 5/1914 Ash D12/207
D274,716 S 7/1984 Mahnig
D292,200 S * 10/1987 Carmichael D12/207
5,024,488 A * 6/1991 Lindhuber B60B 7/0013
301/108.2
D330,883 S * 11/1992 Harr D12/207
5,277,478 A * 1/1994 Wright B60B 7/04
301/108.4
D359,021 S * 6/1995 Snook D12/207
D381,615 S 7/1997 Smith et al.
D398,690 S * 9/1998 Lutz D12/207
D398,691 S * 9/1998 Bromley D12/207
D421,951 S * 3/2000 Yahata D12/207

(Continued)

OTHER PUBLICATIONS

Hubs. (Design—©Questel) orbit.com.[online PDF] 5pgs. Publish Dates range from Oct. 24, 2006 to Oct. 25, 2006. [Retrieved on Mar. 26, 2018] <https://sobjprd.questel.fr/export/QPTUJ214/pdf/83355658-e449-412a-ab97-c129a752be2b-002002.pdf>*

Primary Examiner — Susan Bennett Hattan

Assistant Examiner — Marie D. Fast Horse

(74) *Attorney, Agent, or Firm* — Greenberg Traurig, LLP

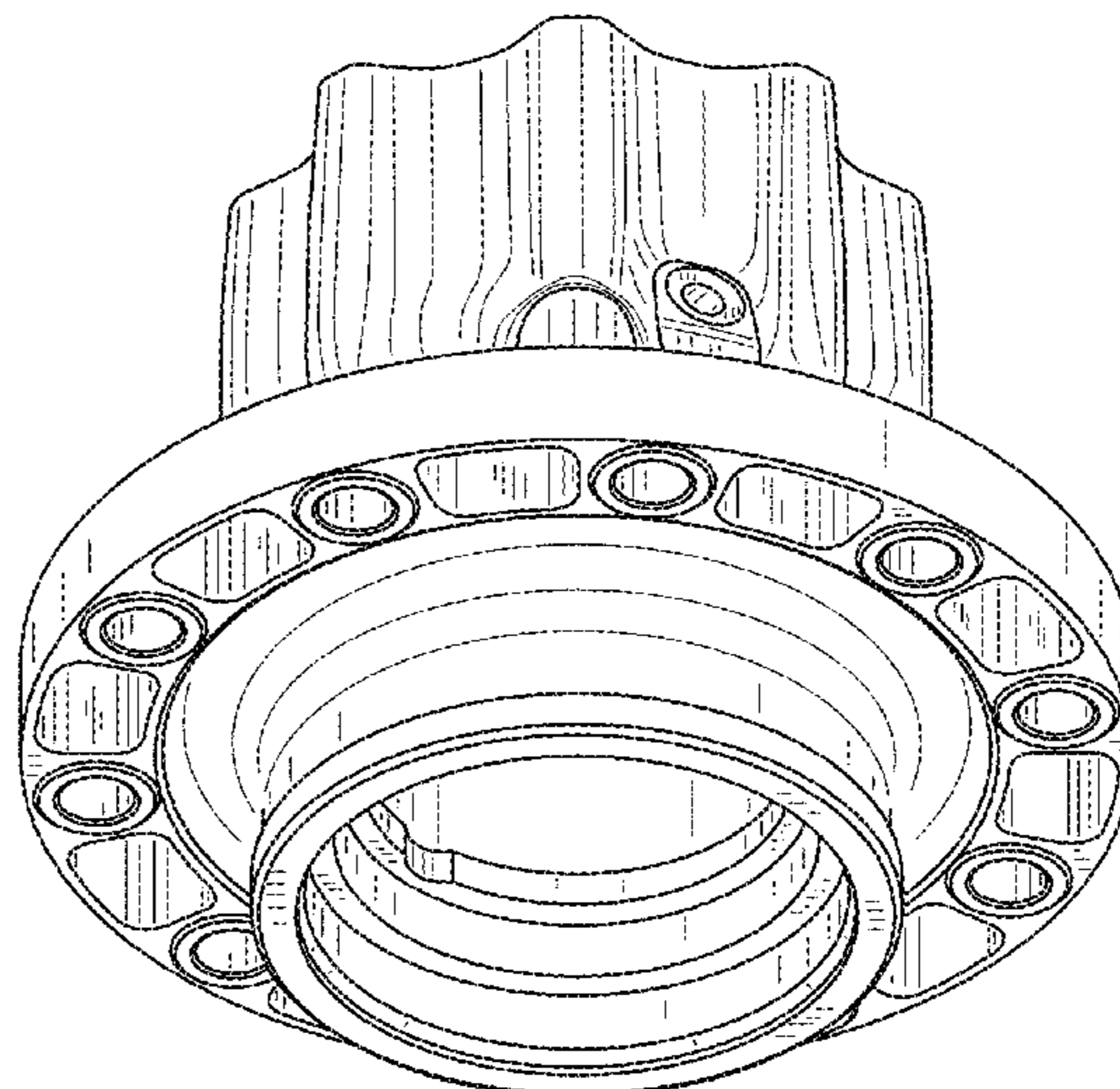
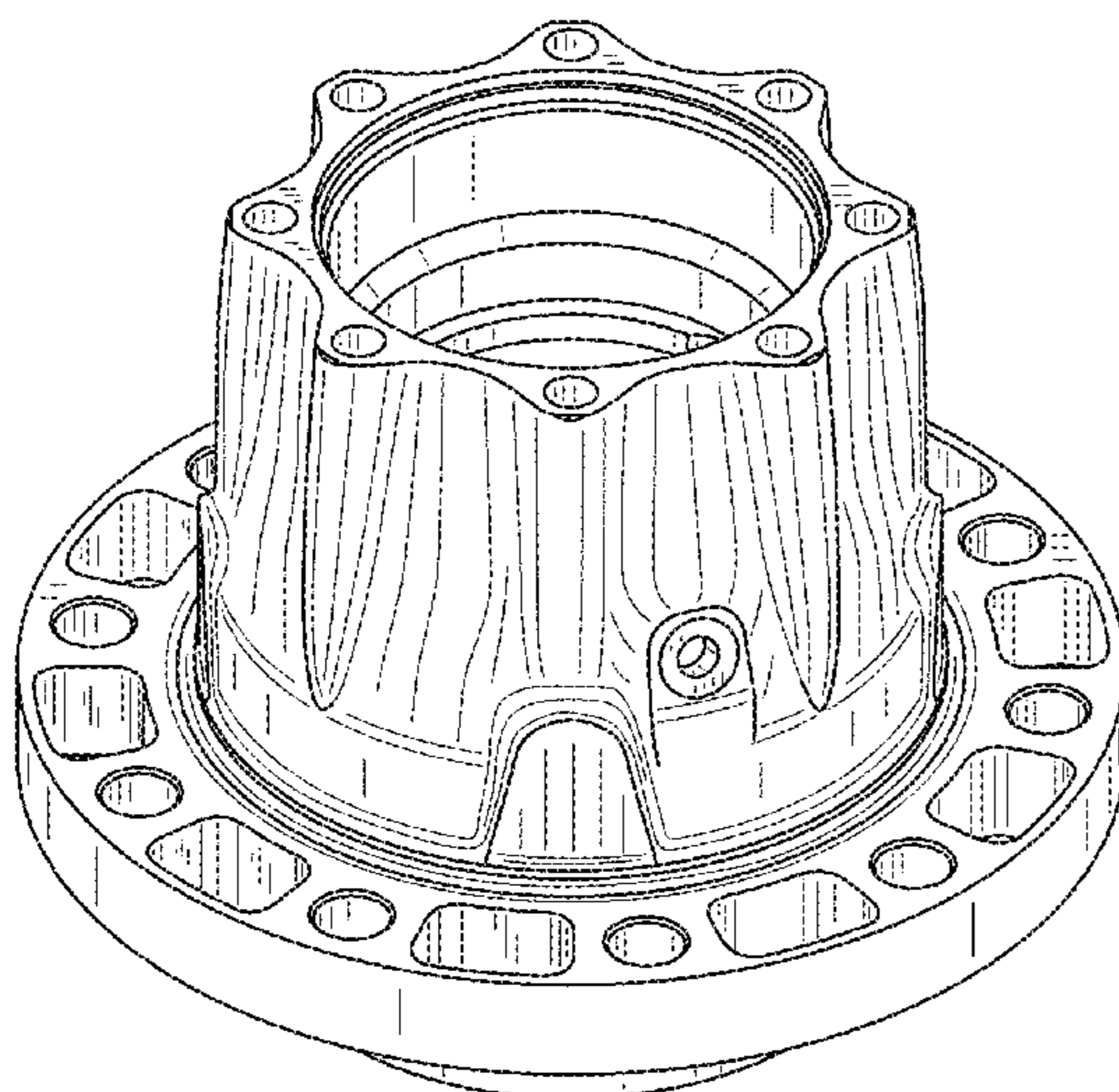
(57) **CLAIM**

The ornamental design for a spindle hub for wheel, as shown and described.

DESCRIPTION

FIG. 1 is a top perspective view of a spindle hub for wheel; FIG. 2 is a bottom perspective view of the spindle hub; FIG. 3 is a front view of the spindle hub; FIG. 4 is a back view of the spindle hub; FIG. 5 is a right side view of the spindle hub; FIG. 6 is a left side view of the spindle hub; FIG. 7 is a top view of the spindle hub; FIG. 8 is a bottom view of the spindle hub; and, FIG. 9 is a cross-sectional view of the spindle hub, taken along line 9-9 in FIG. 7.

1 Claim, 9 Drawing Sheets



(56)

References Cited

U.S. PATENT DOCUMENTS

6,273,519 B1 *	8/2001	Tsou	B60B 7/002	D737,747 S *	9/2015	Fretz	D12/207
				301/108.2	D749,482 S	2/2016	Schroeder et al.		
D470,447 S	2/2003	Orey			9,290,044 B2 *	3/2016	Leung	B60B 7/002
6,612,657 B1 *	9/2003	Fakhoury	B60B 27/02	9,333,800 B2 *	5/2016	Wiechmann	B60B 27/0057
				301/105.1	D766,801 S	9/2016	Lin et al.		
D498,447 S *	11/2004	Kato	D12/207	D776,038 S	1/2017	Hensel et al.		
D504,377 S	4/2005	Caudill			9,566,957 B2 *	2/2017	Root	B60B 27/0052
7,159,697 B1 *	1/2007	Fakhoury	B60B 27/00	D791,667 S	7/2017	Prasad et al.		
				188/18 A	9,714,685 B2 *	7/2017	Root	F16D 65/12
D536,291 S *	2/2007	Wright	D12/207	D798,218 S *	9/2017	Platto	D12/213
D538,726 S *	3/2007	Wright	D12/207	D799,393 S *	10/2017	Caldwell	D12/207
D538,727 S	3/2007	Wright et al.			9,783,000 B2 *	10/2017	Perini	B60B 27/06
D583,290 S	12/2008	Wang			D803,137 S *	11/2017	Platto	D12/213
D585,801 S *	2/2009	Wang	D12/207	9,897,154 B2 *	2/2018	Root	F16D 65/123
D591,215 S	4/2009	Weigand			2009/0278400 A1 *	11/2009	Wang	B60B 3/16
D627,697 S	11/2010	Wang							301/108.1
D629,731 S *	12/2010	Wang	D12/207	2010/0296760 A1 *	11/2010	Kapaan	B60B 7/0013
D651,150 S	12/2011	Biewer							384/477
D651,151 S	12/2011	Biewer			2011/0215637 A1 *	9/2011	Fakhoury	B23P 11/00
D652,782 S *	1/2012	Sato	D12/400					301/105.1
D659,624 S *	5/2012	Farradas	D12/207	2013/0076110 A1 *	3/2013	Kelley	B60C 23/003
D662,869 S *	7/2012	Ballard	D12/213					301/105.1
8,287,052 B2 *	10/2012	Fakhoury	B60B 27/0057	2014/0152081 A1 *	6/2014	Leung	B60B 7/0013
				301/105.1					301/108.2
D719,493 S *	12/2014	Mochinaga	D12/160	2015/0008725 A1 *	1/2015	Chou	B60B 7/04
8,950,556 B2 *	2/2015	Root	B60B 27/0052					301/37.106
				188/18 A	2015/0035348 A1 *	2/2015	Wang	B60B 7/066
									301/108.1

* cited by examiner

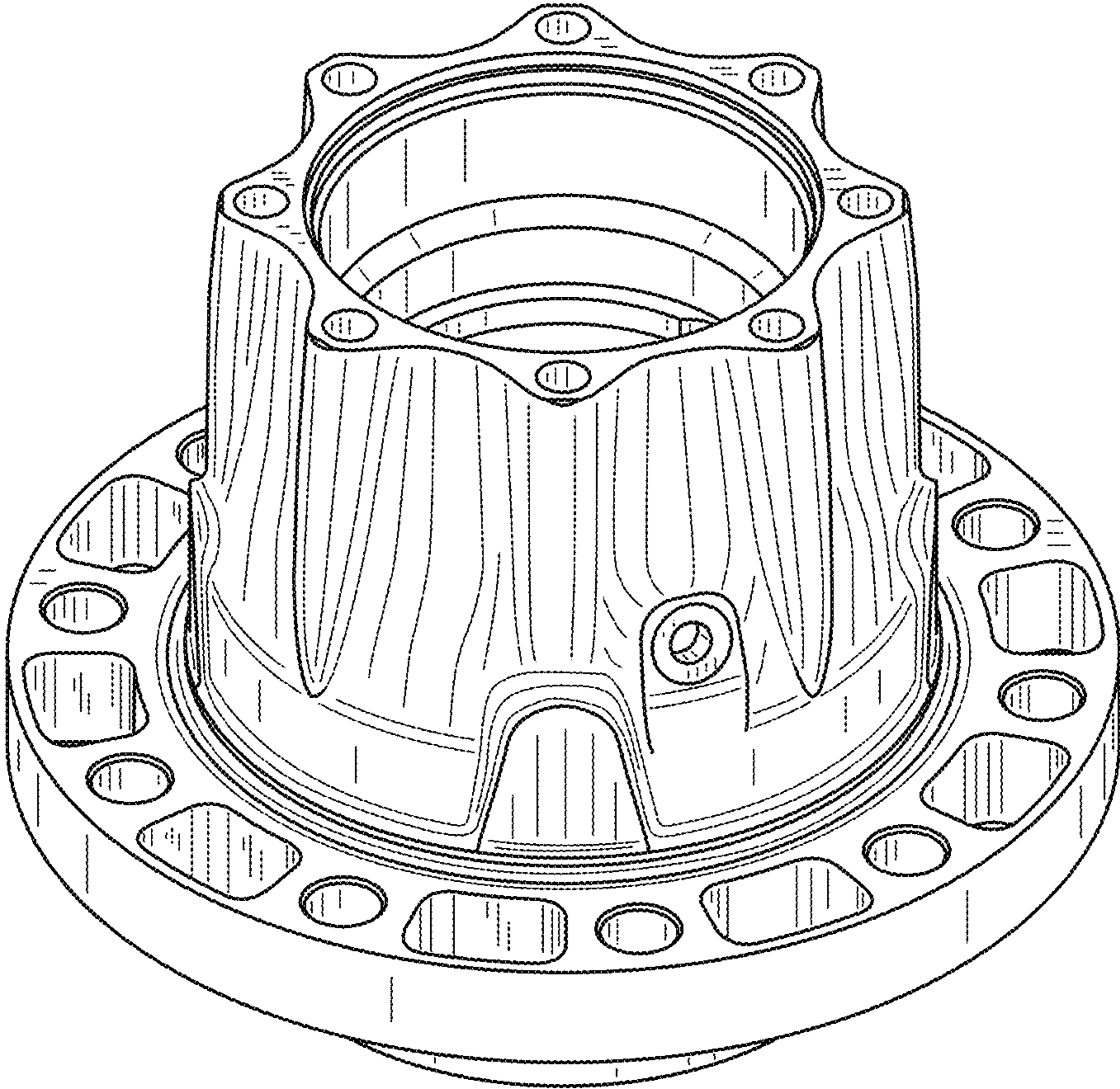


FIG.1

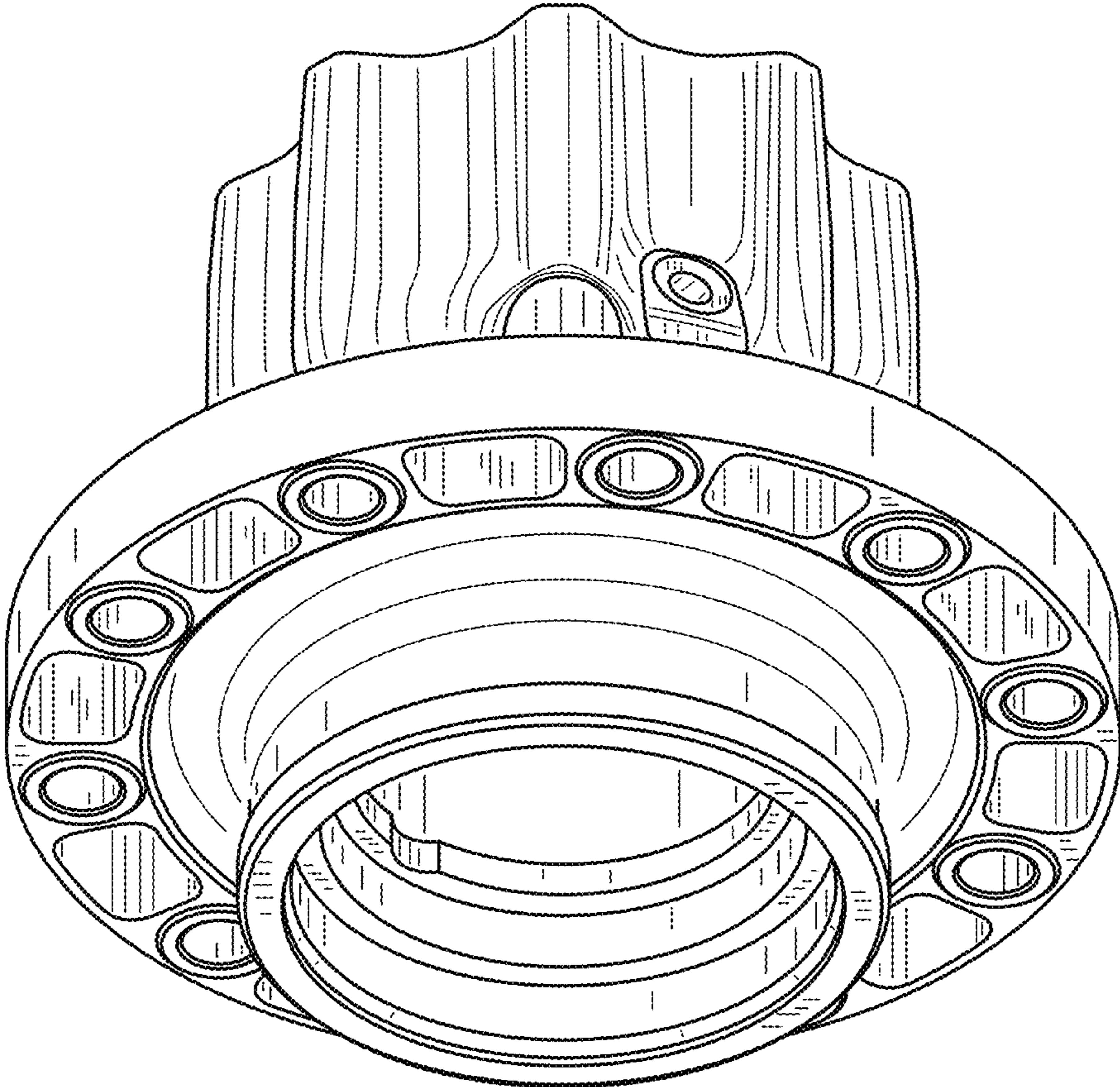


FIG.2

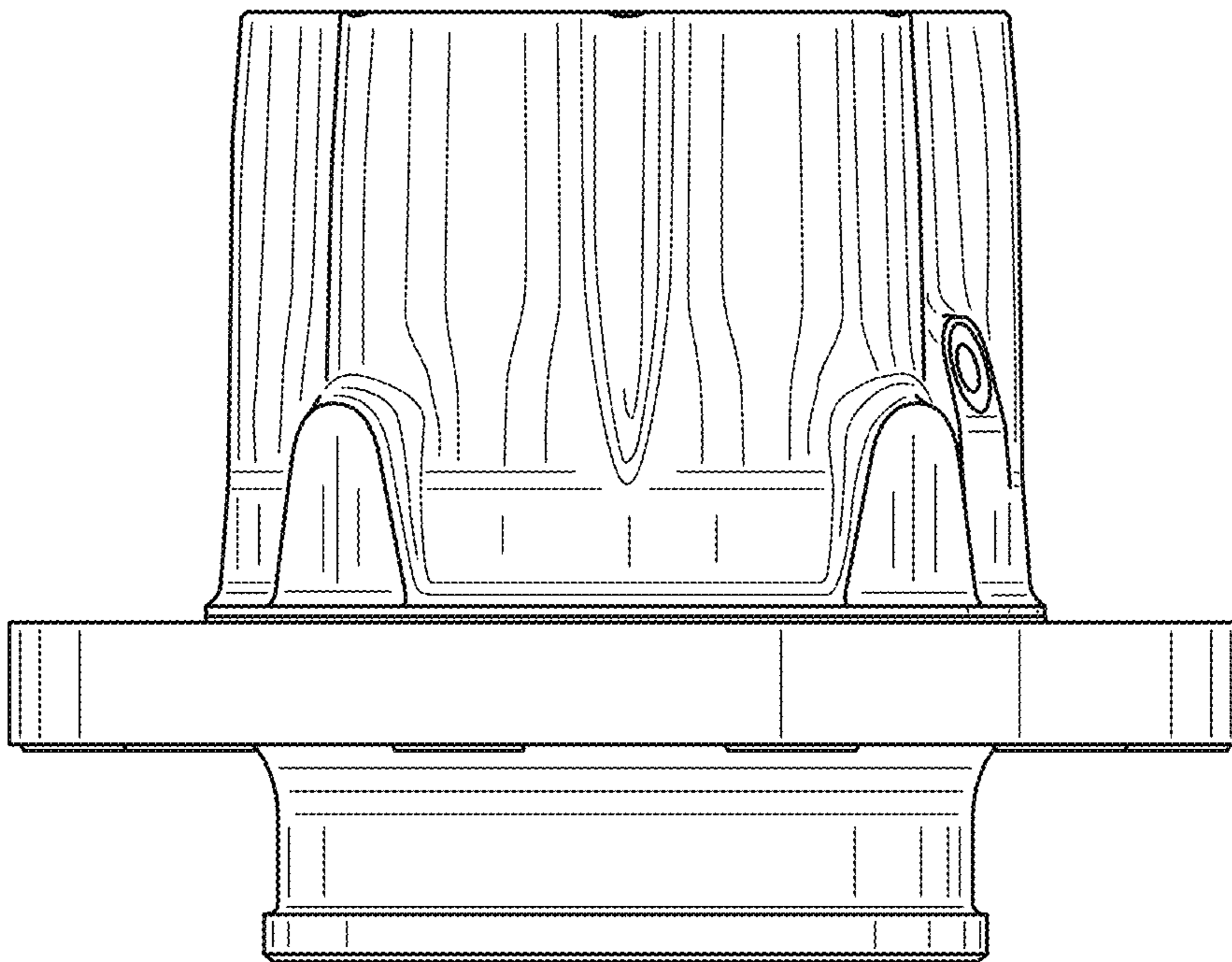


FIG.3

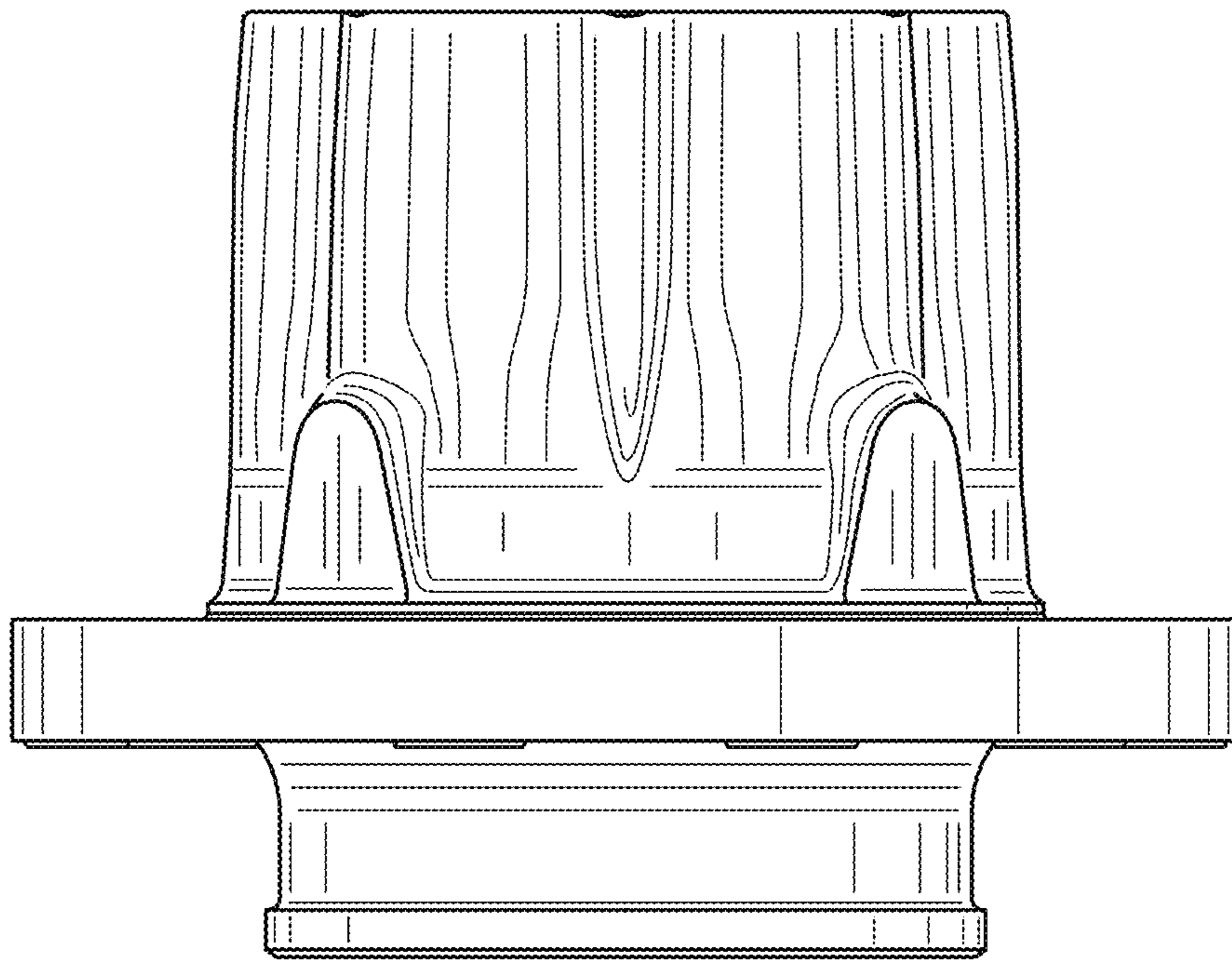


FIG. 4

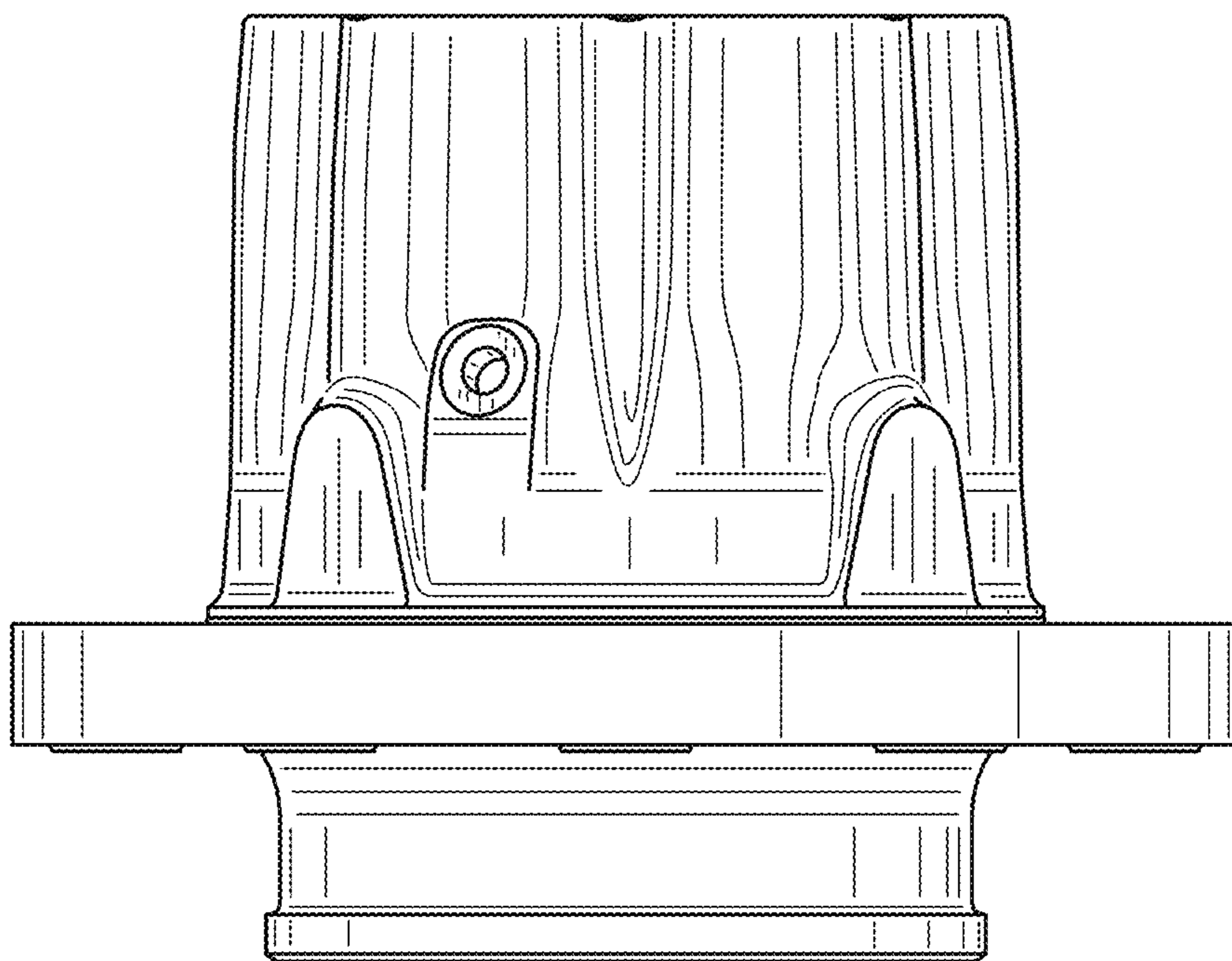


FIG.5

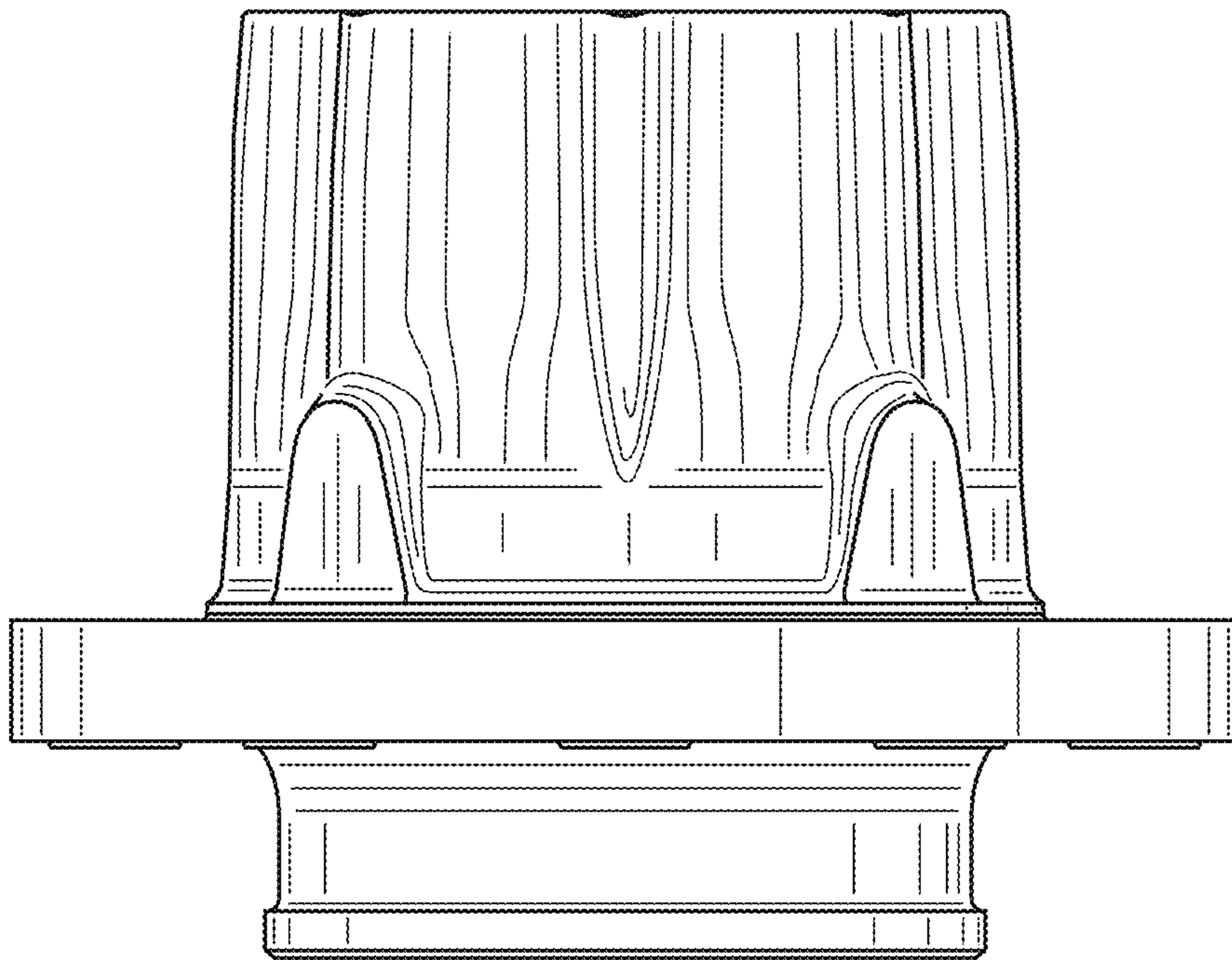


FIG.6

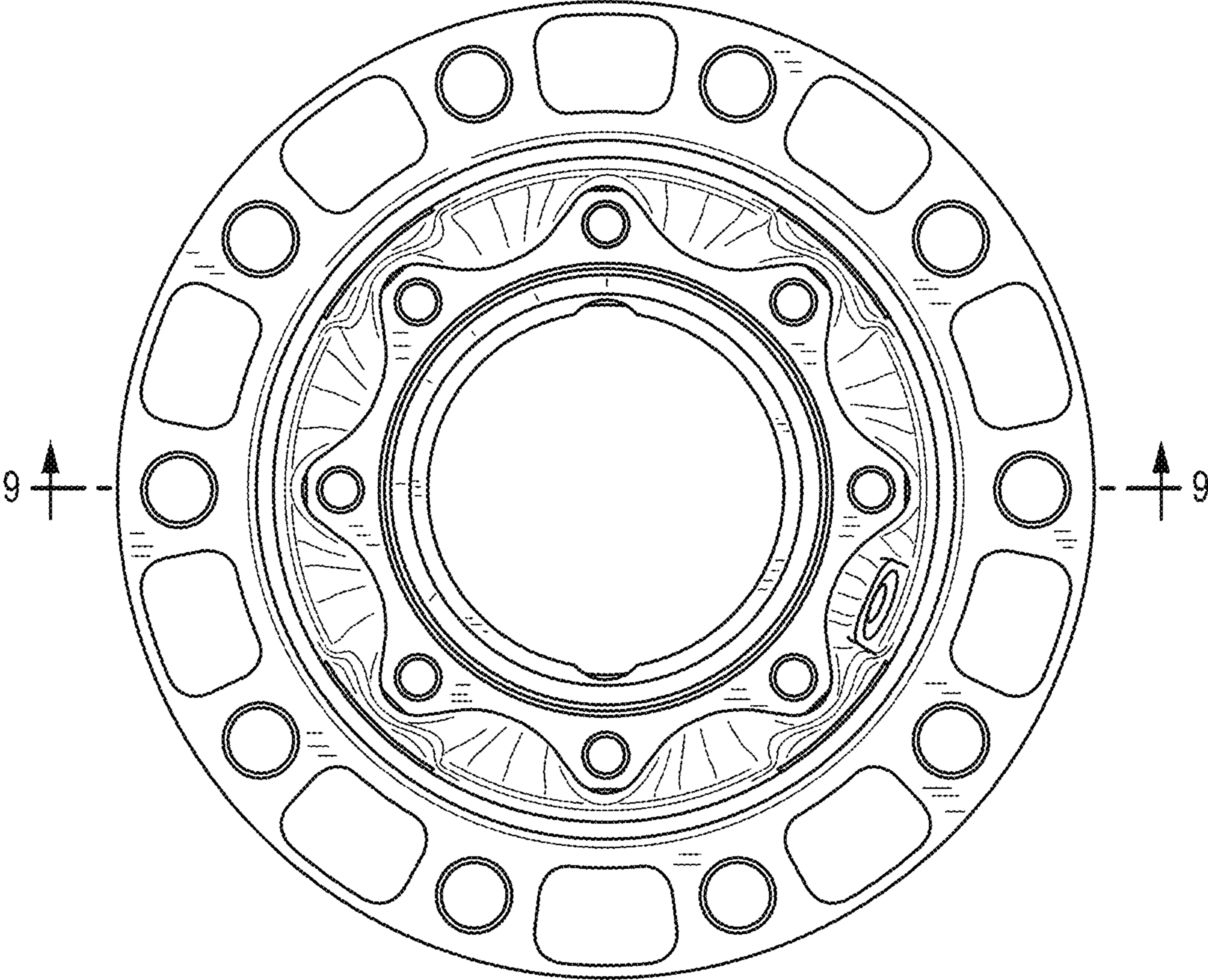


FIG. 7

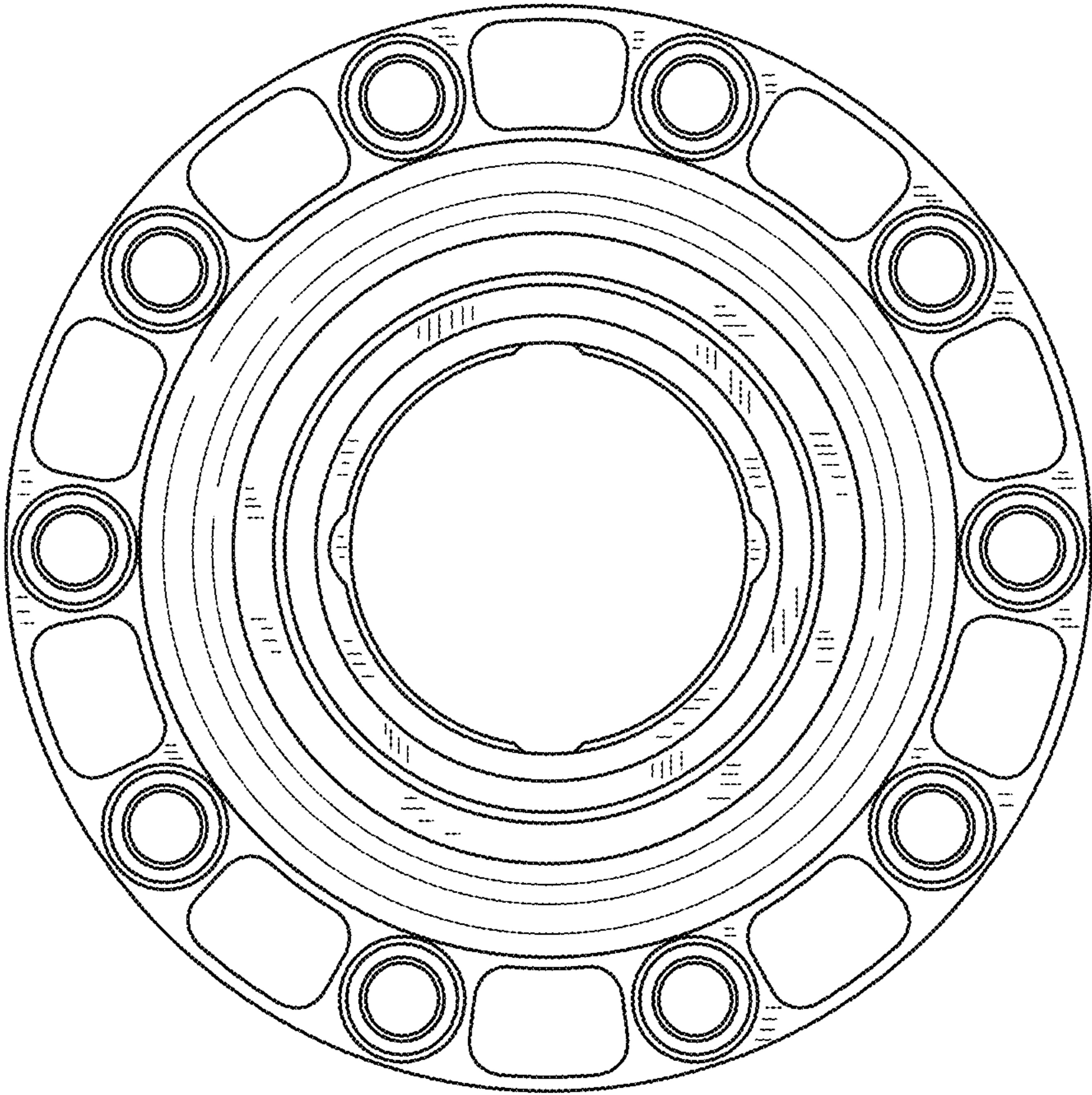


FIG.8

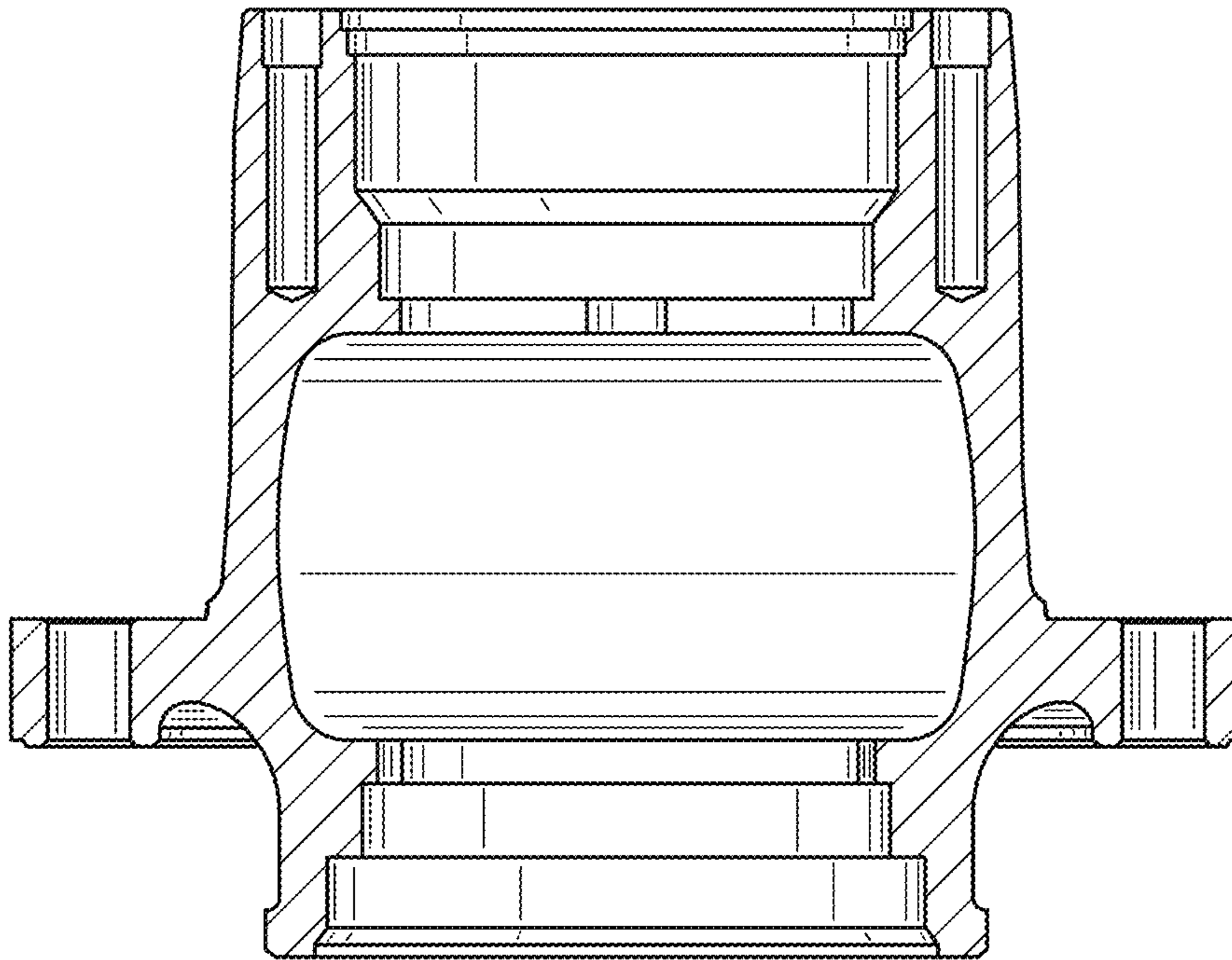


FIG. 9