



US00D823210S

(12) **United States Design Patent** (10) **Patent No.:** **US D823,210 S**  
**Simm** (45) **Date of Patent:** **\*\* Jul. 17, 2018**

(54) **TAILGATE FOR A VEHICLE**  
(71) Applicant: **Bayerische Motoren Werke Aktiengesellschaft, Munich (DE)**  
(72) Inventor: **Sebastian Simm, Munich (DE)**  
(73) Assignee: **Bayerische Motoren Werke Aktiengesellschaft, Munich (DE)**  
(\*\*) Term: **15 Years**

D797,632 S \* 9/2017 Zipfel ..... D12/196  
D799,375 S \* 10/2017 Zavatski ..... D12/91  
D799,376 S \* 10/2017 Telaak ..... D12/91  
D801,858 S \* 11/2017 Hagino ..... D12/91  
D801,861 S \* 11/2017 Hubers ..... D12/91  
D801,862 S \* 11/2017 Brendel ..... D12/91  
D802,478 S \* 11/2017 Perkins ..... D12/91  
D802,482 S \* 11/2017 Sterner ..... D12/91  
D803,123 S \* 11/2017 Granlund ..... D12/196  
D804,359 S \* 12/2017 Ishii ..... D12/91  
D805,433 S \* 12/2017 Scheinhutte ..... D12/91  
D805,434 S \* 12/2017 Bischoff ..... D12/91  
D805,959 S \* 12/2017 Wheel ..... D12/91

(Continued)

(21) Appl. No.: **29/594,691**

(22) Filed: **Feb. 22, 2017**

(30) **Foreign Application Priority Data**

Aug. 23, 2016 (DE) ..... 40 2016 101 022

(51) **LOC (11) Cl.** ..... **12-16**

(52) **U.S. Cl.**  
USPC ..... **D12/196**

(58) **Field of Classification Search**  
USPC ..... D12/86, 90, 91, 92, 163, 169, 171, 196,  
D12/216

CPC ..... B62D 24/02; B62D 25/00; B62D 25/003;  
B62D 25/02; B62D 25/08; B62D  
33/0273; B62D 33/03; B62D 33/037

See application file for complete search history.

(56) **References Cited**

**U.S. PATENT DOCUMENTS**

D499,357 S \* 12/2004 Velazco ..... D12/91  
D663,665 S \* 7/2012 Hakamata ..... D12/196  
D736,128 S \* 8/2015 Blanski ..... D12/196  
D749,480 S \* 2/2016 Yu ..... D12/196  
D763,758 S \* 8/2016 Luk  
D766,795 S \* 9/2016 Kim ..... D12/196  
D783,482 S \* 4/2017 Smith ..... D12/196  
D788,644 S \* 6/2017 Mueller ..... D12/91  
D788,645 S \* 6/2017 Mueller ..... D12/91  
D790,400 S \* 6/2017 Zavatski ..... D12/91

**FOREIGN PATENT DOCUMENTS**

WO WO DM/074951 5/2011  
WO WO DM/084222 2/2015

*Primary Examiner* — Susan Bennett Hattan

*Assistant Examiner* — Suzanne E Tisdell

(74) *Attorney, Agent, or Firm* — Crowell & Moring LLP

(57) **CLAIM**

The ornamental design for a tailgate for a vehicle, as shown and described.

**DESCRIPTION**

This application contains subject matter related to the following co-pending U.S. design patent application:

Application Ser. No. 29/594,683, filed herewith and entitled "Vehicle, Toy, And/Or Replicas Thereof"

FIG. 1 is a front view of a tailgate for a vehicle according to the design;

FIG. 2 is a left perspective view thereof;

FIG. 3 is a right perspective view thereof;

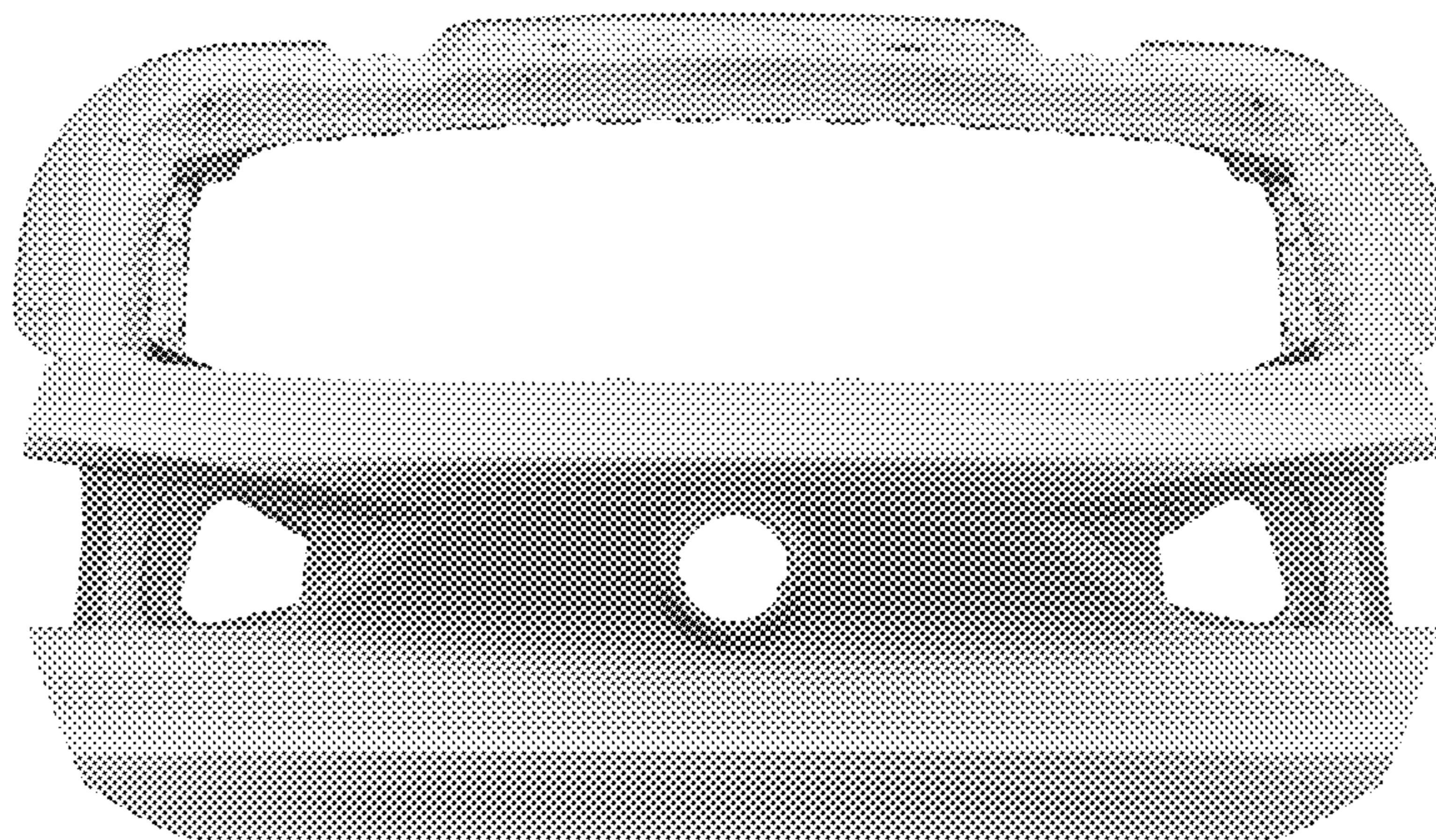
FIG. 4 is a left side view thereof;

FIG. 5 is a top view thereof;

FIG. 6 is a bottom thereof; and,

FIG. 7 is a rear view thereof.

**1 Claim, 7 Drawing Sheets**



(56)

**References Cited**

U.S. PATENT DOCUMENTS

D805,985 S \* 12/2017 Nakamura ..... D12/196  
D807,227 S \* 1/2018 Chen ..... D12/91  
D807,228 S \* 1/2018 Woolley ..... D12/91  
D807,788 S \* 1/2018 Hatton ..... D12/91  
D808,321 S \* 1/2018 Kim ..... D12/196  
2017/0210428 A1\* 7/2017 Hallik ..... B60R 19/34

\* cited by examiner

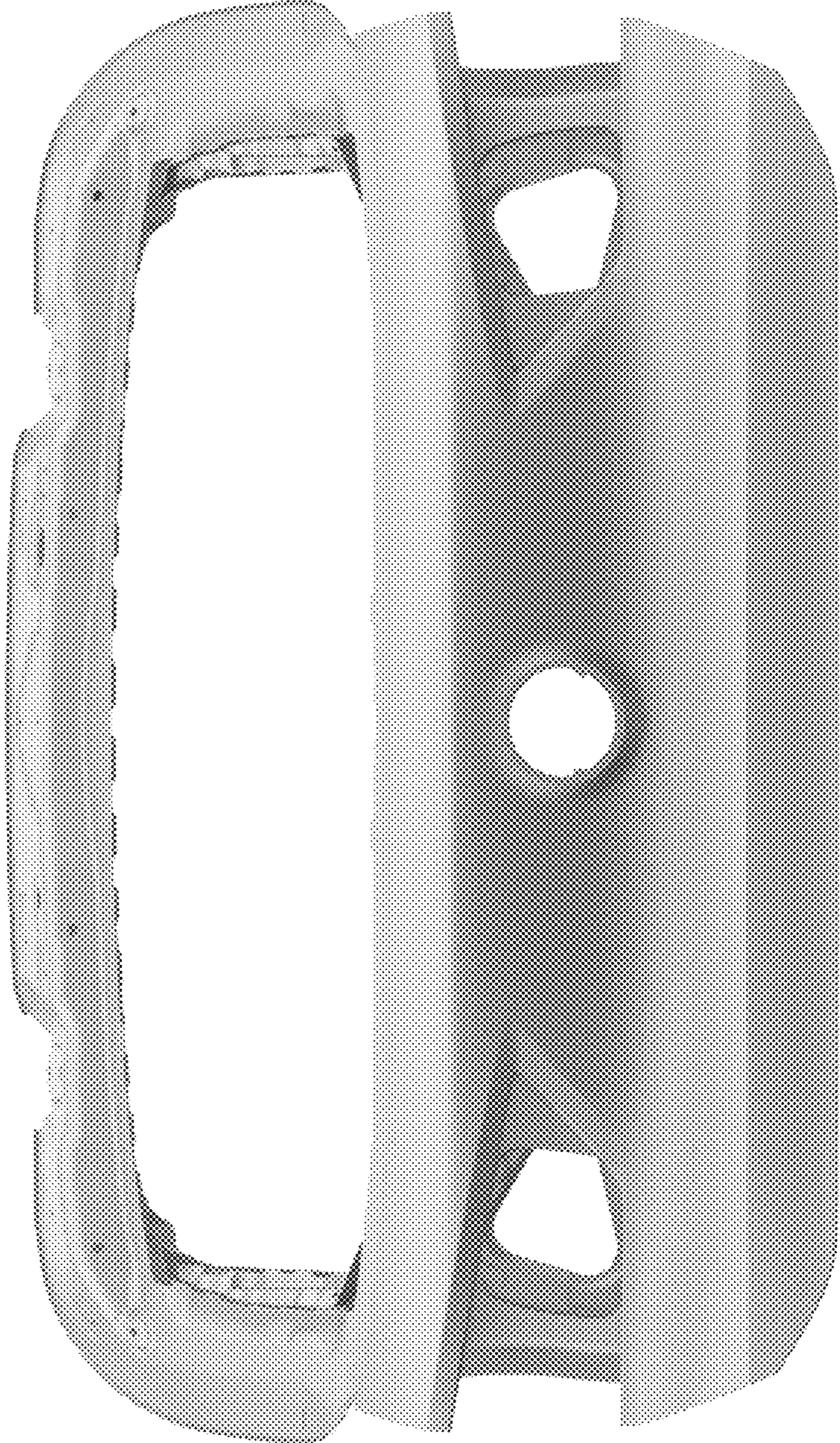


Fig. 1

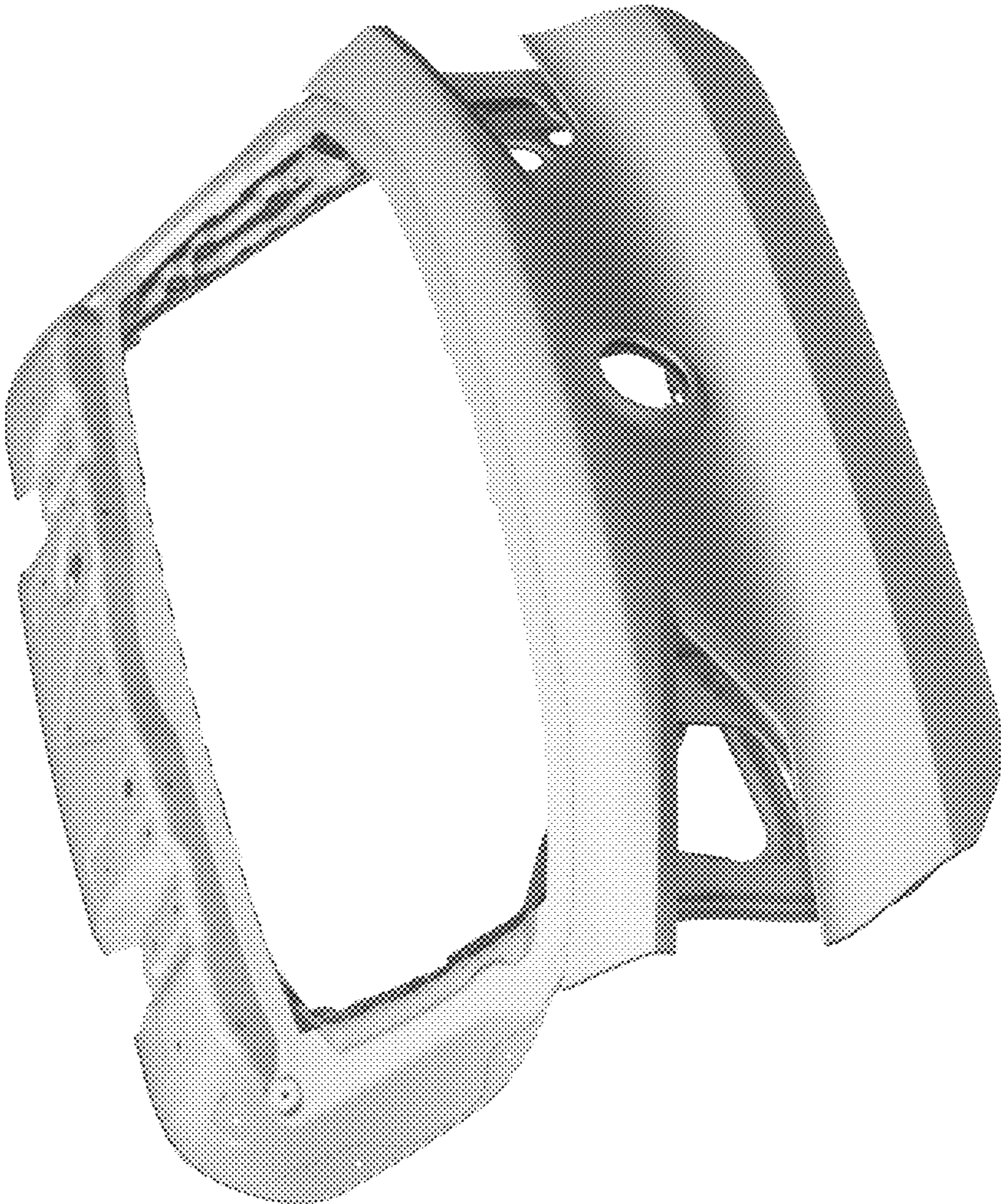


Fig. 2



Fig. 3

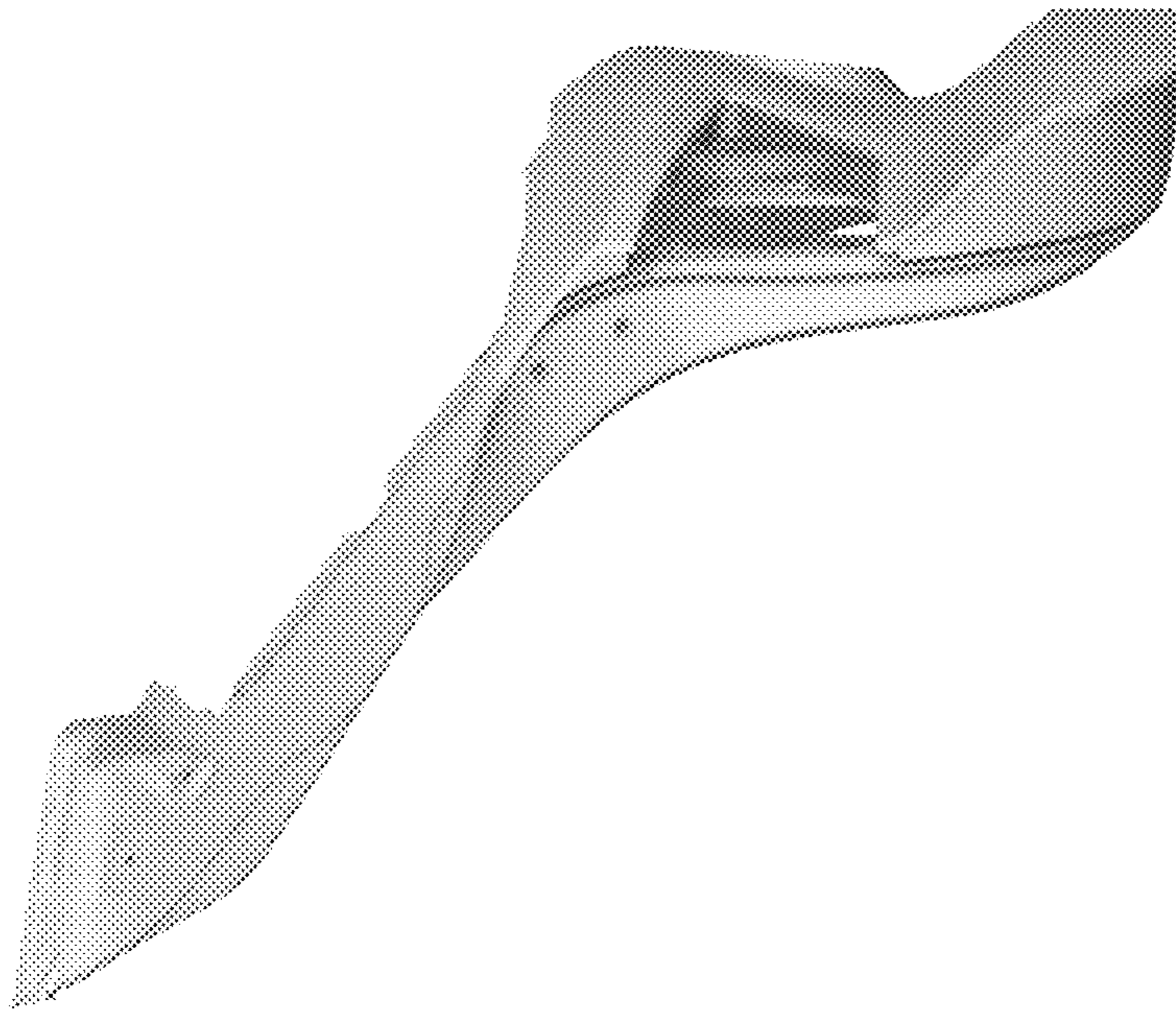


Fig. 4

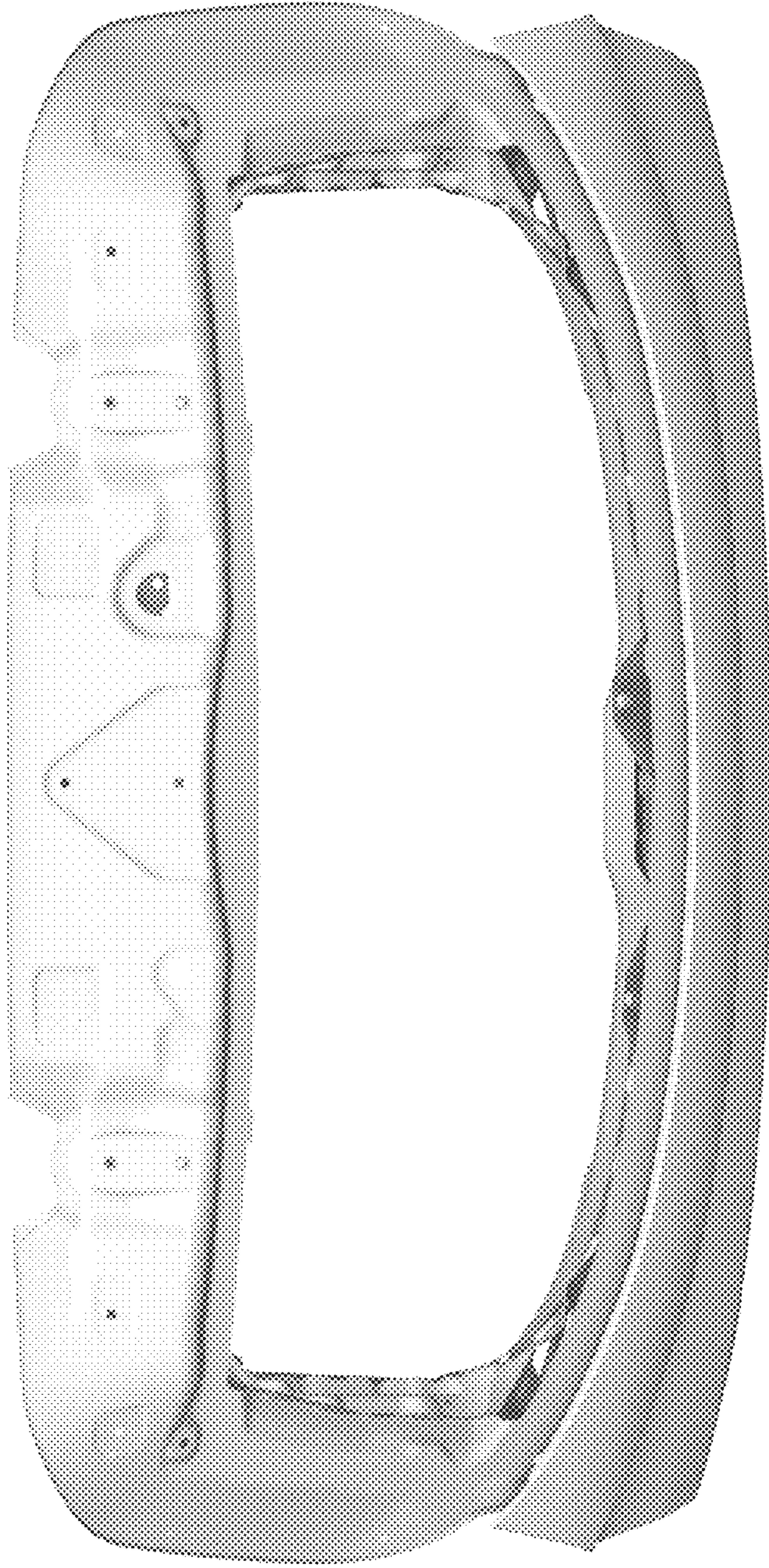


Fig. 5

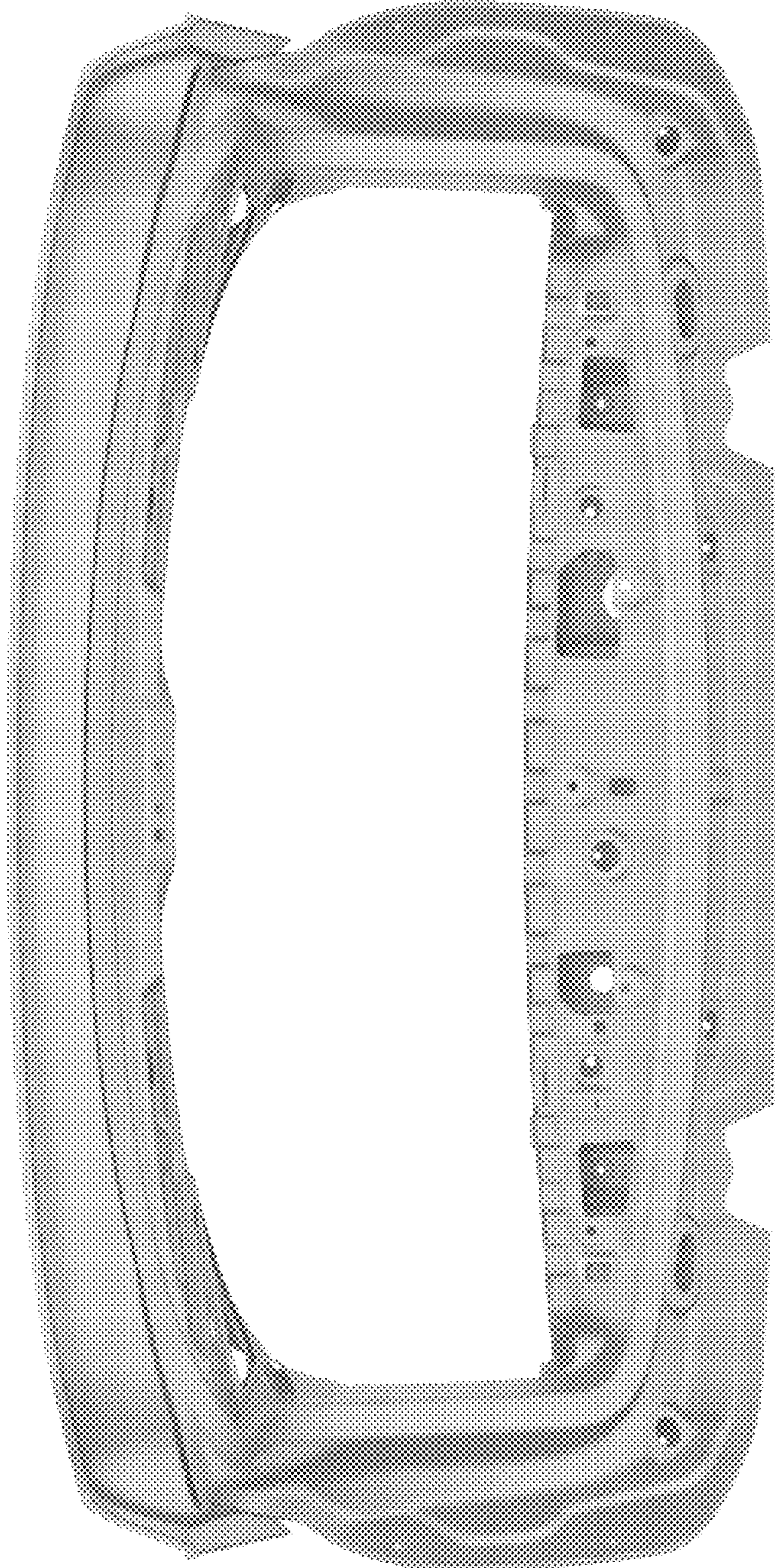


Fig. 6



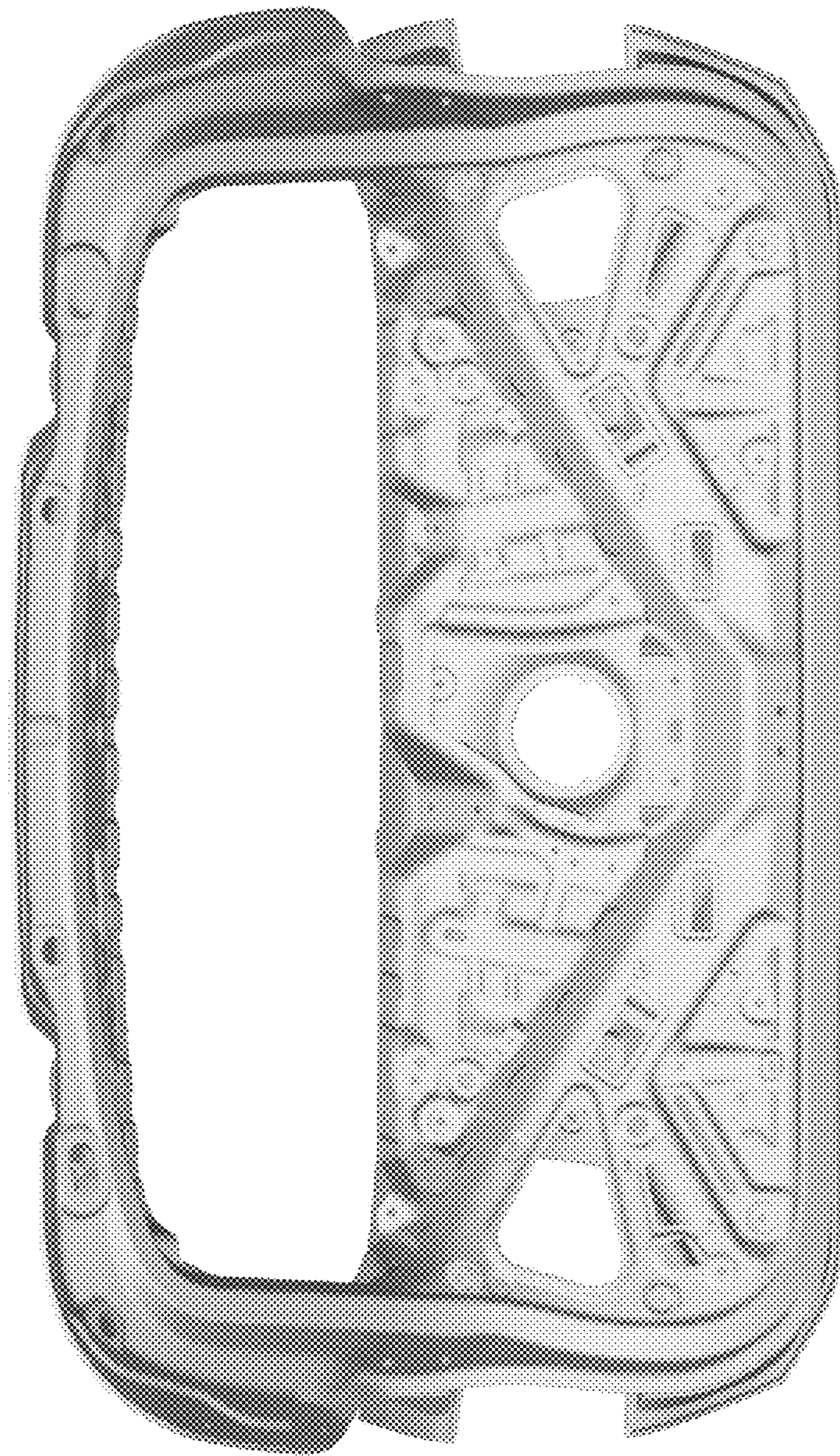


Fig. 7