



US00D823209S

(12) **United States Design Patent** (10) **Patent No.:** **US D823,209 S**
Austin (45) **Date of Patent:** **** Jul. 17, 2018**

(54) **TAILGATE**

DESCRIPTION

(71) Applicant: **Jaguar Land Rover Limited**, Whitley, Coventry (GB)

(72) Inventor: **Robin Austin**, Coventry (GB)

(73) Assignee: **Jaguar Land Rover Limited**, Whitley, Coventry (GB)

(**) Term: **15 Years**

(21) Appl. No.: **29/591,346**

(22) Filed: **Jan. 19, 2017**

(30) **Foreign Application Priority Data**

Jul. 20, 2016 (EM) 003313444-0001

Aug. 18, 2016 (EM) 003345636-0005

(51) **LOC (11) Cl.** **12-16**

(52) **U.S. Cl.**
USPC **D12/196**

(58) **Field of Classification Search**
USPC D12/86, 90, 91, 92, 163, 169, 171, 196,
D12/216

(Continued)

(56) **References Cited**

U.S. PATENT DOCUMENTS

D499,357 S * 12/2004 Velazco D12/91

D663,665 S * 7/2012 Hakamata D12/196

(Continued)

Primary Examiner — Susan Bennett Hattan

Assistant Examiner — Suzanne E Tisdell

(74) *Attorney, Agent, or Firm* — Wood Herron & Evans
LLP

(57) **CLAIM**

The ornamental design for a tailgate, as shown and described.

FIG. 1 is a front right perspective view of a tailgate for a vehicle according to the present invention.

FIG. 2 is a front left perspective view thereof.

FIG. 3 is a front view thereof.

FIG. 4 is a top view thereof.

FIG. 5 is a right side view thereof.

FIG. 6 is a left side view thereof.

FIG. 7 is a front right perspective view of the tailgate shown in FIGS. 1-6, with the tailgate mounted on a vehicle shown in de-emphasized and half-tone portions so as to illustrate environmental structures for the vehicle rear. These portions form no part of the claimed invention. More particularly, in FIG. 7, the tailgate of the present invention is shown within the broken line, and any elements shown outside of the broken line form no part of the claimed invention, but are instead included to show environmental aspects of the claimed invention.

FIG. 8 is a front right perspective view of a tailgate for a vehicle according to an alternative embodiment to the present invention.

FIG. 9 is a front left perspective view thereof.

FIG. 10 is a front view thereof.

FIG. 11 is a top view thereof.

FIG. 12 is a right side view thereof.

FIG. 13 is a left side view thereof.

FIG. 14 is a rear right perspective view thereof.

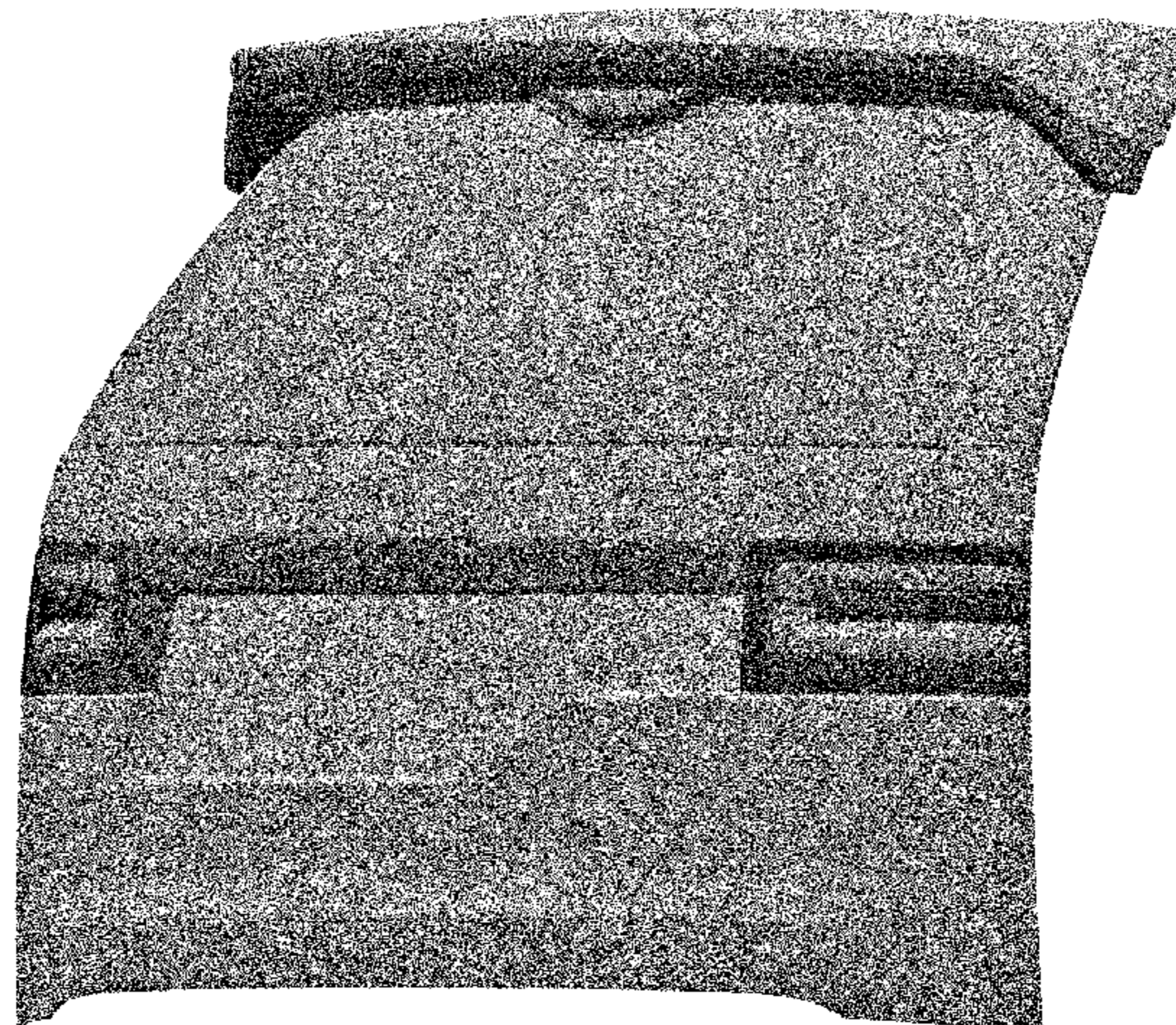
FIG. 15 is rear left perspective view thereof.

FIG. 16 is a rear view thereof; and,

FIG. 17 is a front right perspective view of the tailgate shown in FIGS. 8-16, with the tailgate mounted on a vehicle shown in de-emphasized and half-tone portions so as to illustrate environmental structures for the vehicle rear. These portions form no part of the claimed invention. More particularly, in FIG. 17, the tailgate of the present invention is shown within the broken line, and any elements shown outside of the broken line form no part of the claimed invention, but are instead included to show environmental aspects of the claimed invention.

In FIGS. 5-6, the broken line showing of the rear of the tailgate is included for the purpose of illustrating environment and forms no part of the claimed design.

1 Claim, 15 Drawing Sheets



(58) **Field of Classification Search**

CPC B62D 24/02; B62D 25/00; B62D 25/003;
 B62D 25/02; B62D 25/08; B62D
 33/0273; B62D 33/03; B62D 33/037
 See application file for complete search history.

(56) **References Cited**

U.S. PATENT DOCUMENTS

D736,128	S	*	8/2015	Blanski	D12/196
D749,480	S	*	2/2016	Yu	D12/196
D766,795	S	*	9/2016	Kim	D12/196
D783,482	S	*	4/2017	Smith	D12/196
D788,644	S	*	6/2017	Mueller	D12/91
D788,645	S	*	6/2017	Mueller	D12/91
D790,400	S	*	6/2017	Zavatski	D12/91
D797,632	S	*	9/2017	Zipfel	D12/196
D799,375	S	*	10/2017	Zavatski	D12/91
D799,376	S	*	10/2017	Telaak	D12/91
D801,858	S	*	11/2017	Hagino	D12/91
D801,861	S	*	11/2017	Hubers	D12/91
D801,862	S	*	11/2017	Brendel	D12/91
D802,478	S	*	11/2017	Perkins	D12/91
D802,482	S	*	11/2017	Sterner	D12/91
D803,123	S	*	11/2017	Granlund	D12/196
D804,359	S	*	12/2017	Ishii	D12/91
D805,433	S	*	12/2017	Scheinhutte	D12/91
D805,434	S	*	12/2017	Bischoff	D12/91
D805,959	S	*	12/2017	Wheel	D12/91
D805,985	S	*	12/2017	Nakamura	D12/196
D807,227	S	*	1/2018	Chen	D12/91
D807,228	S	*	1/2018	Woolley	D12/91
D807,788	S	*	1/2018	Hatton	D12/91
D808,321	S	*	1/2018	Kim	D12/196
2017/0210428	A1	*	7/2017	Hallik	B60R 19/34

* cited by examiner

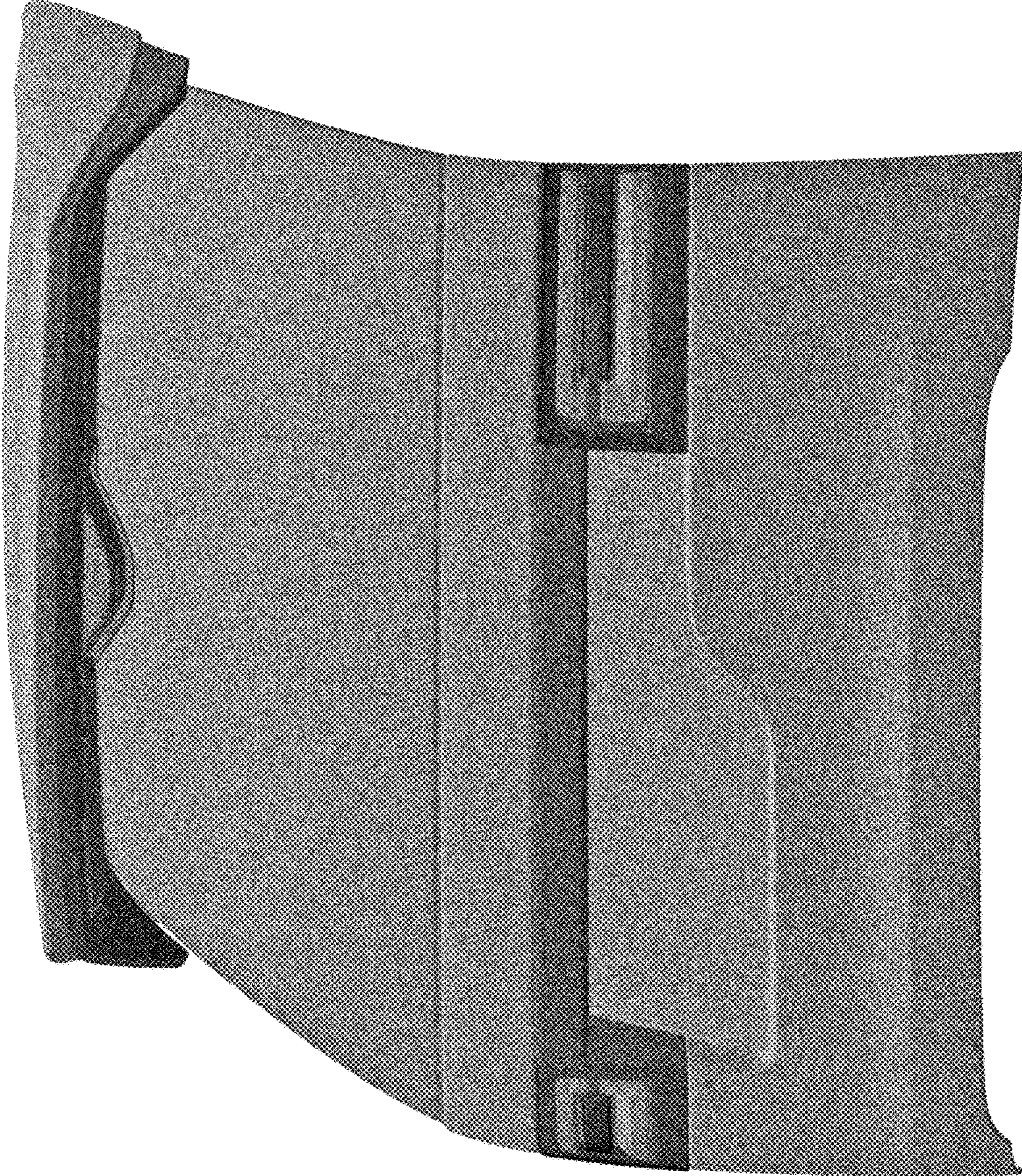


FIG. 1

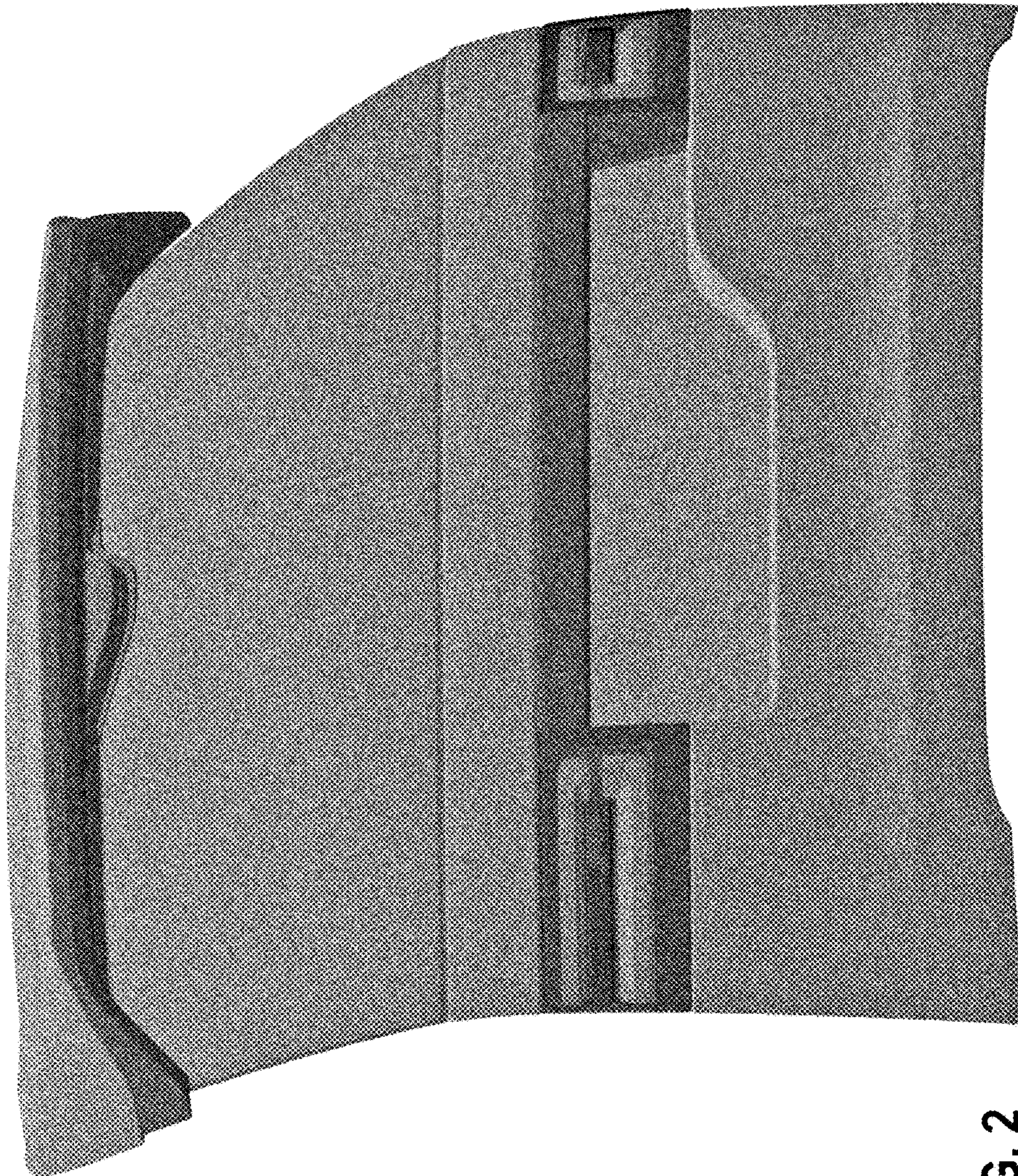


FIG. 2



FIG. 3

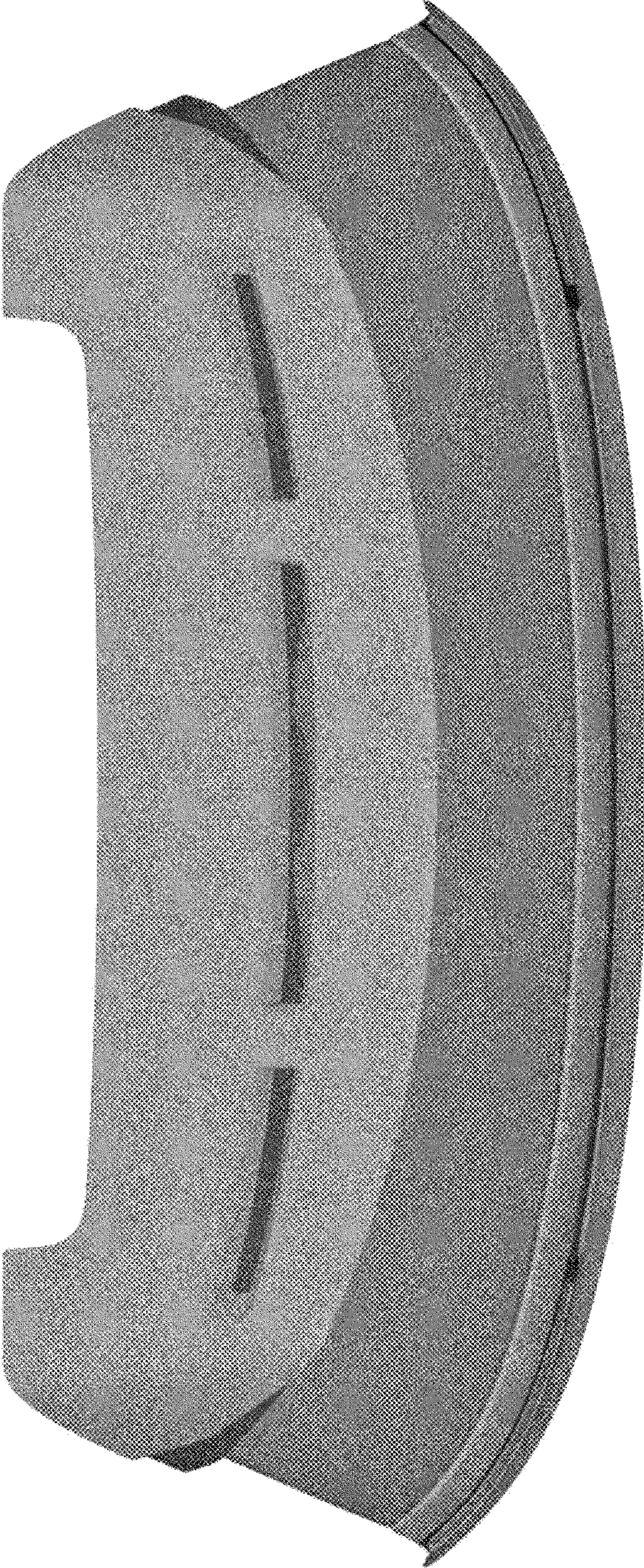


FIG. 4

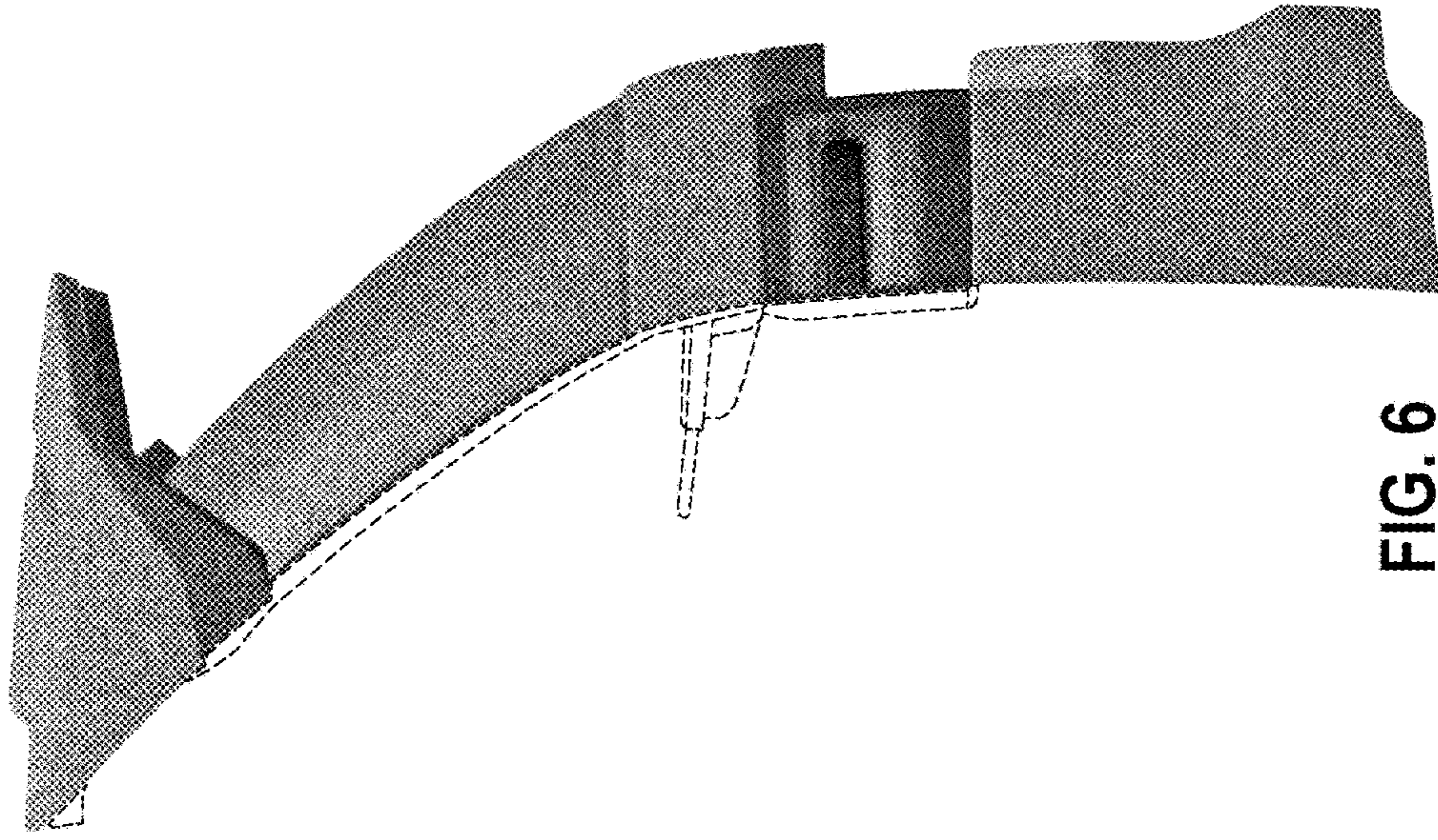


FIG. 6

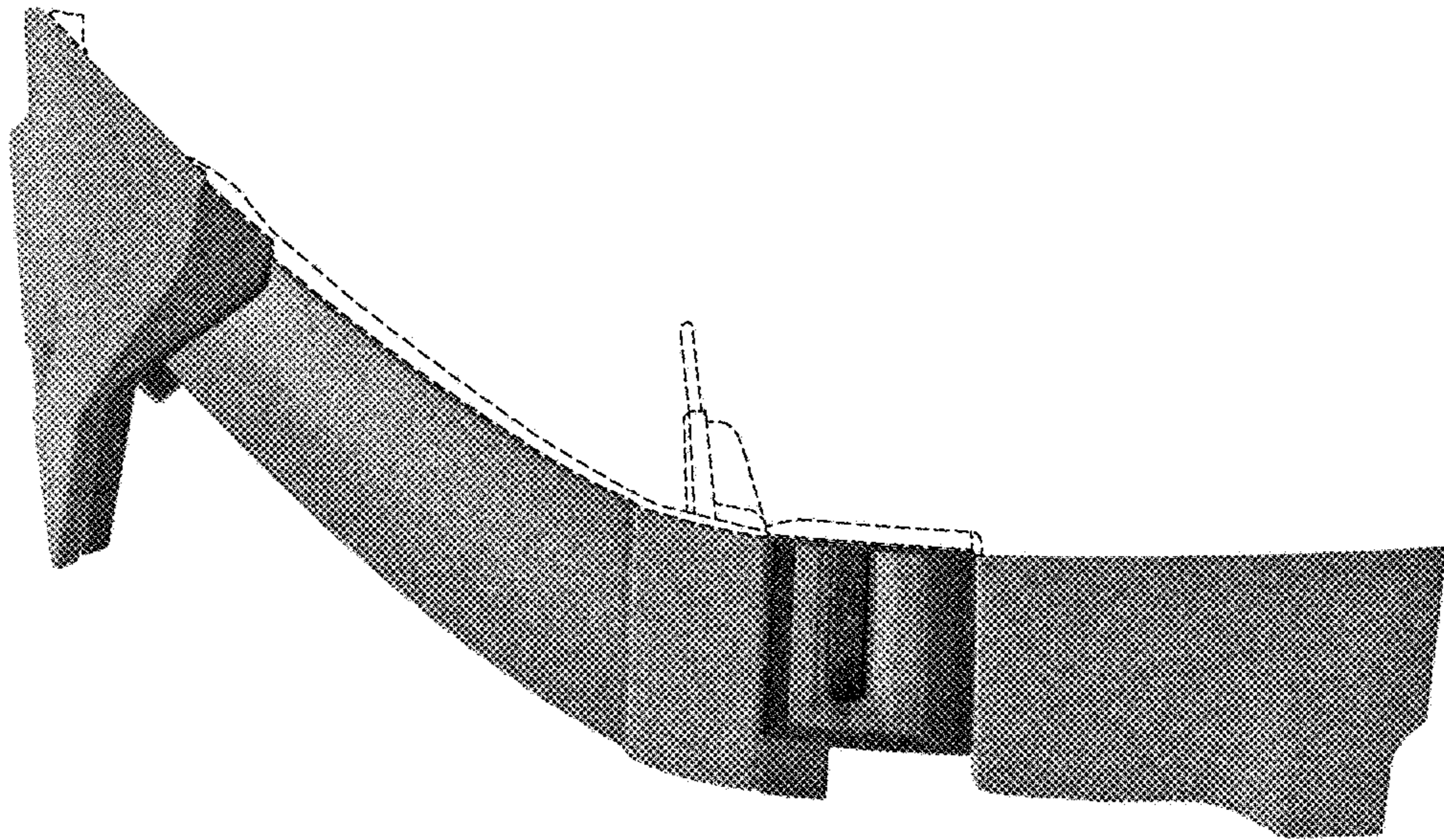


FIG. 5

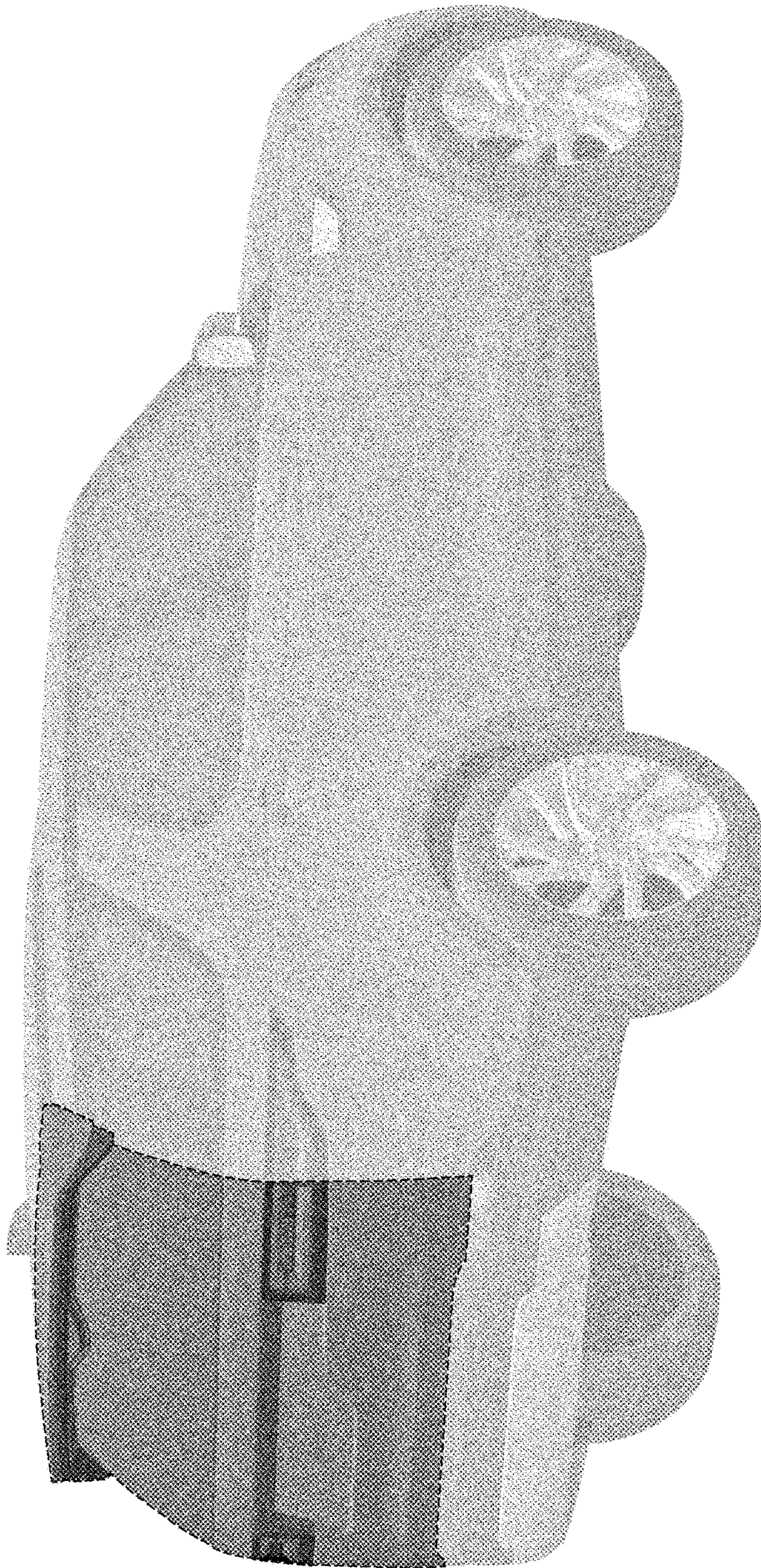


FIG. 7

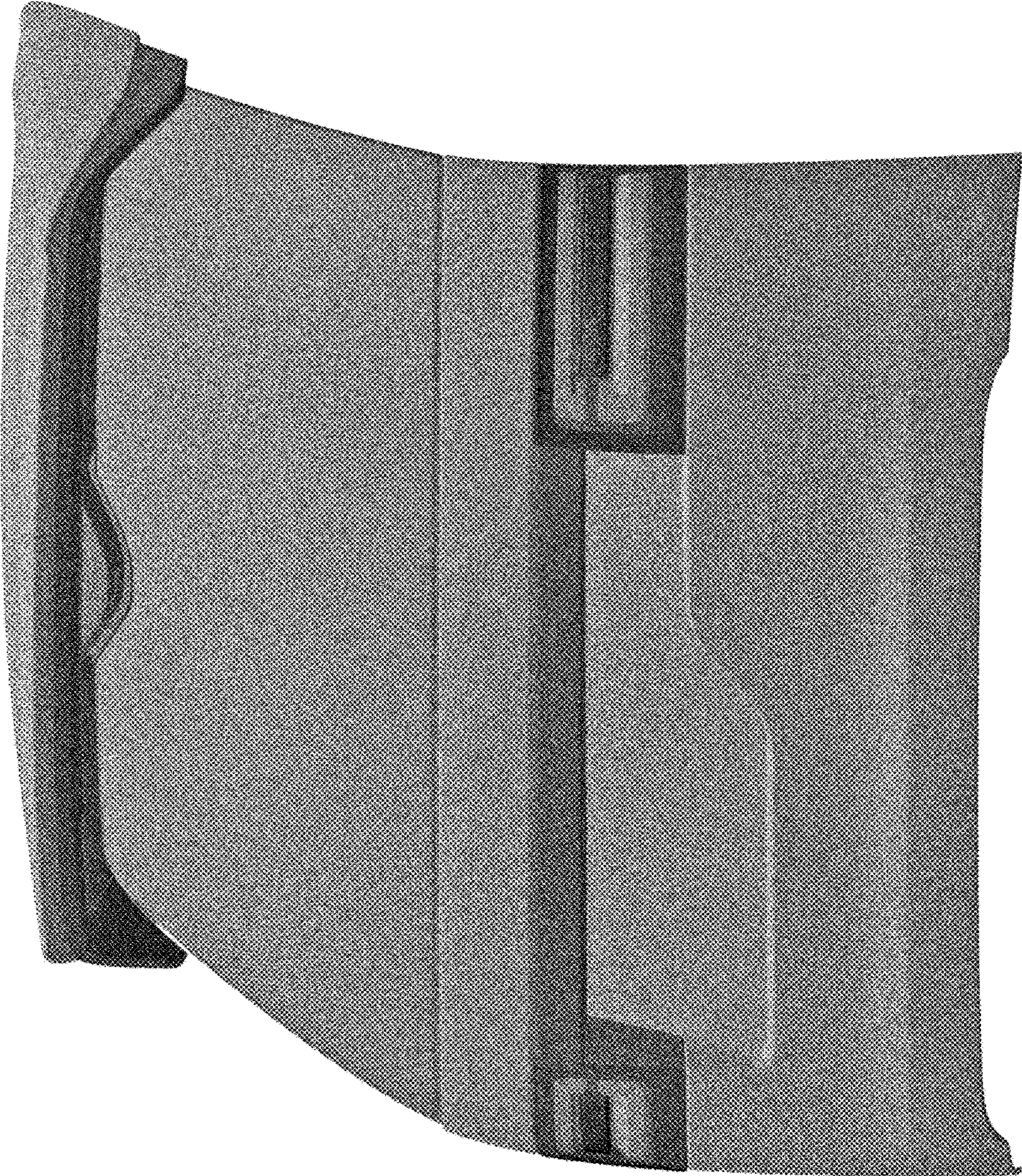


FIG. 8

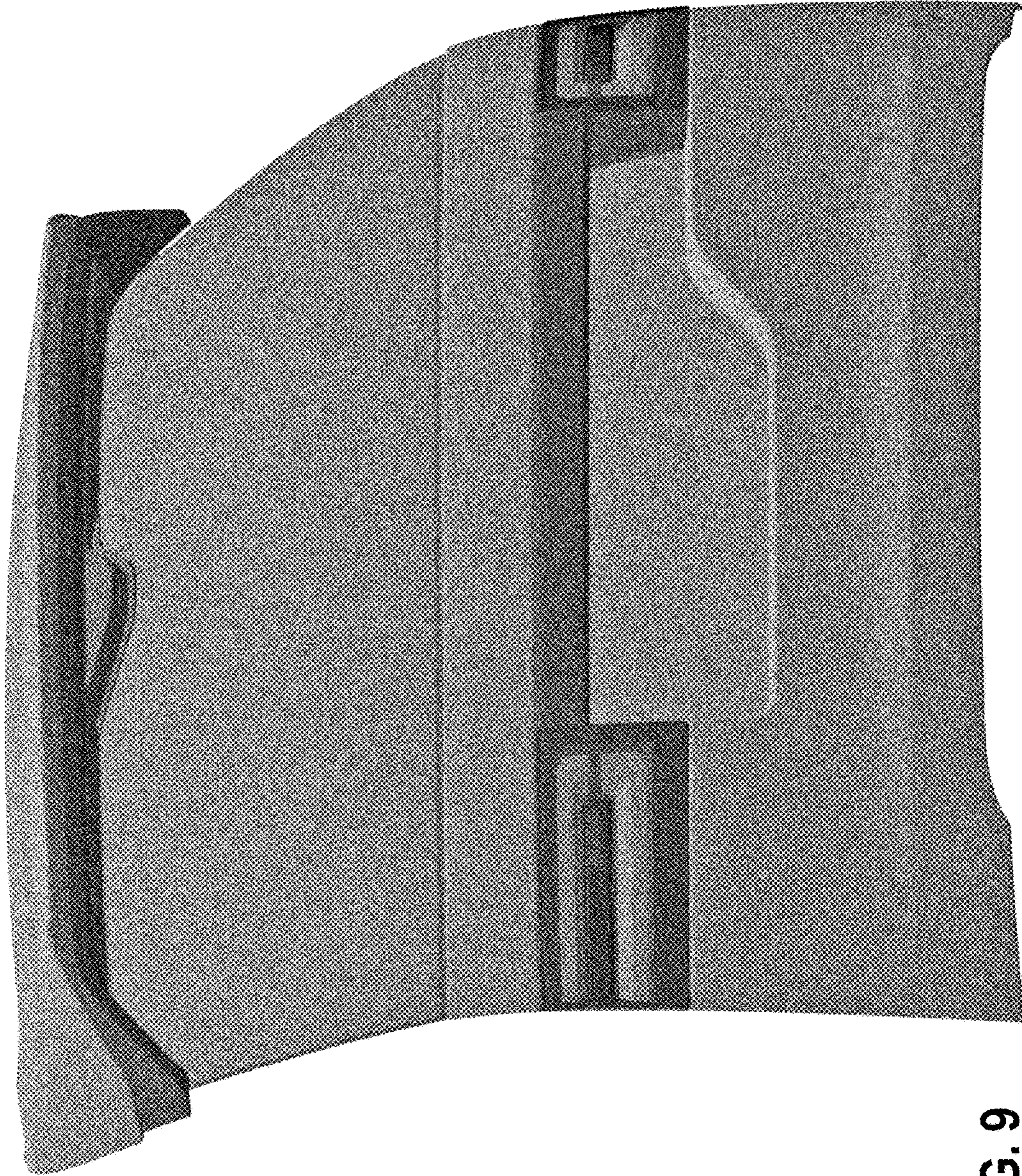


FIG. 9



FIG. 10

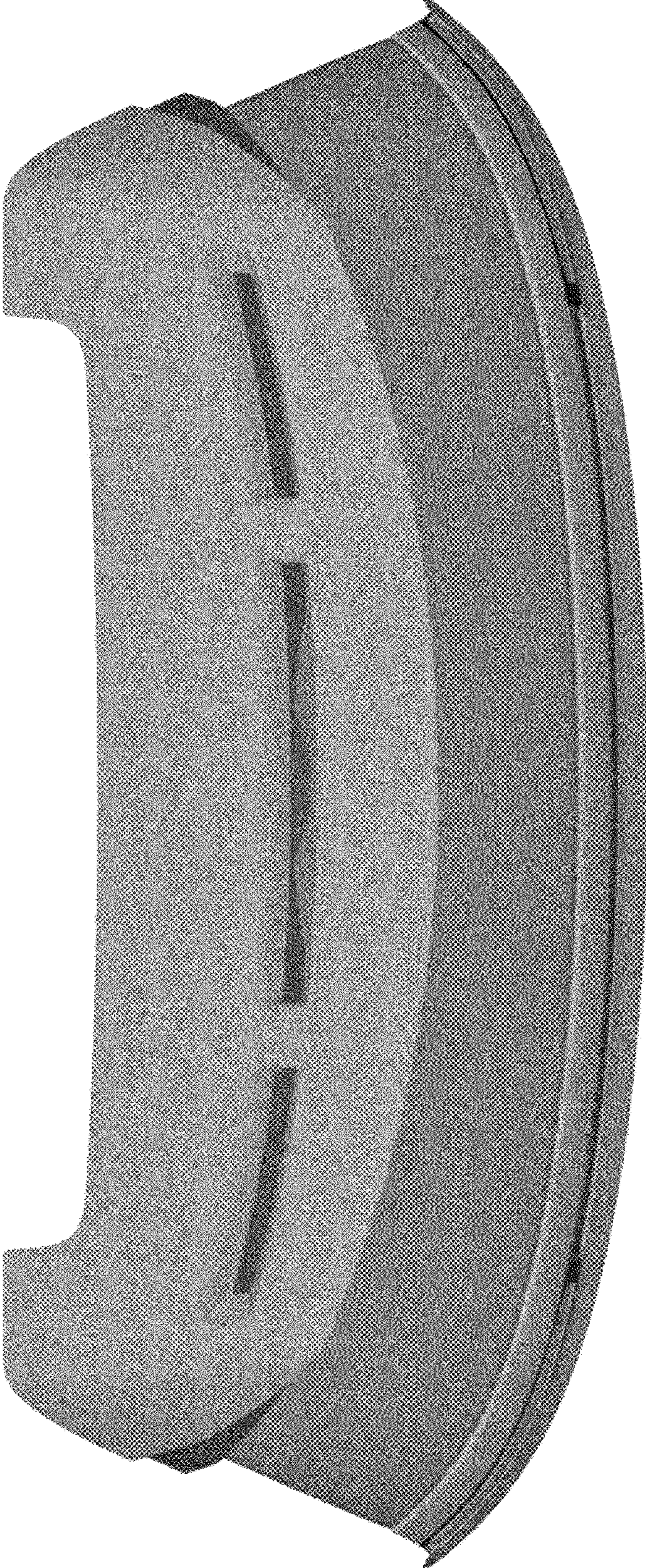


FIG. 11

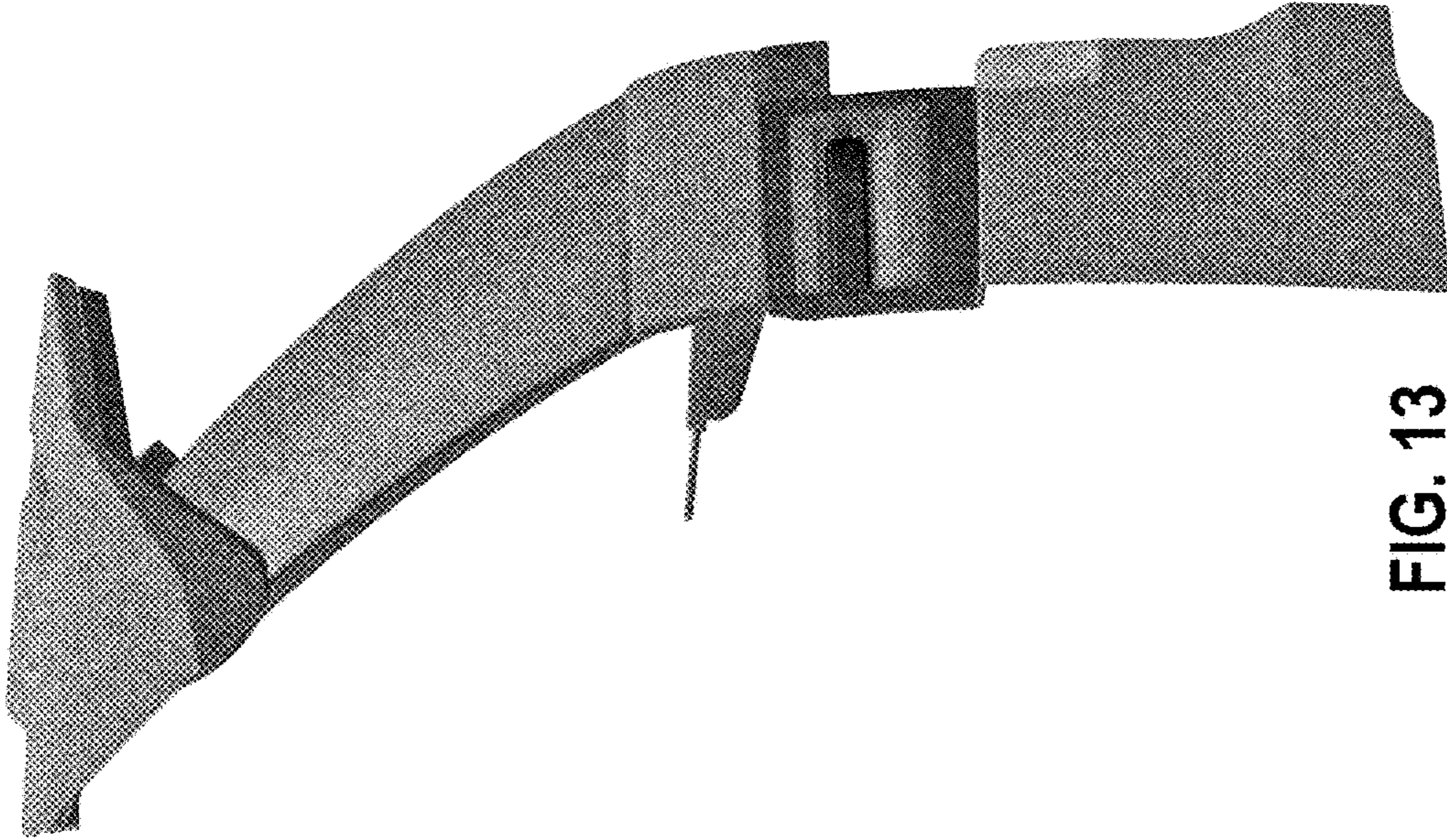


FIG. 13

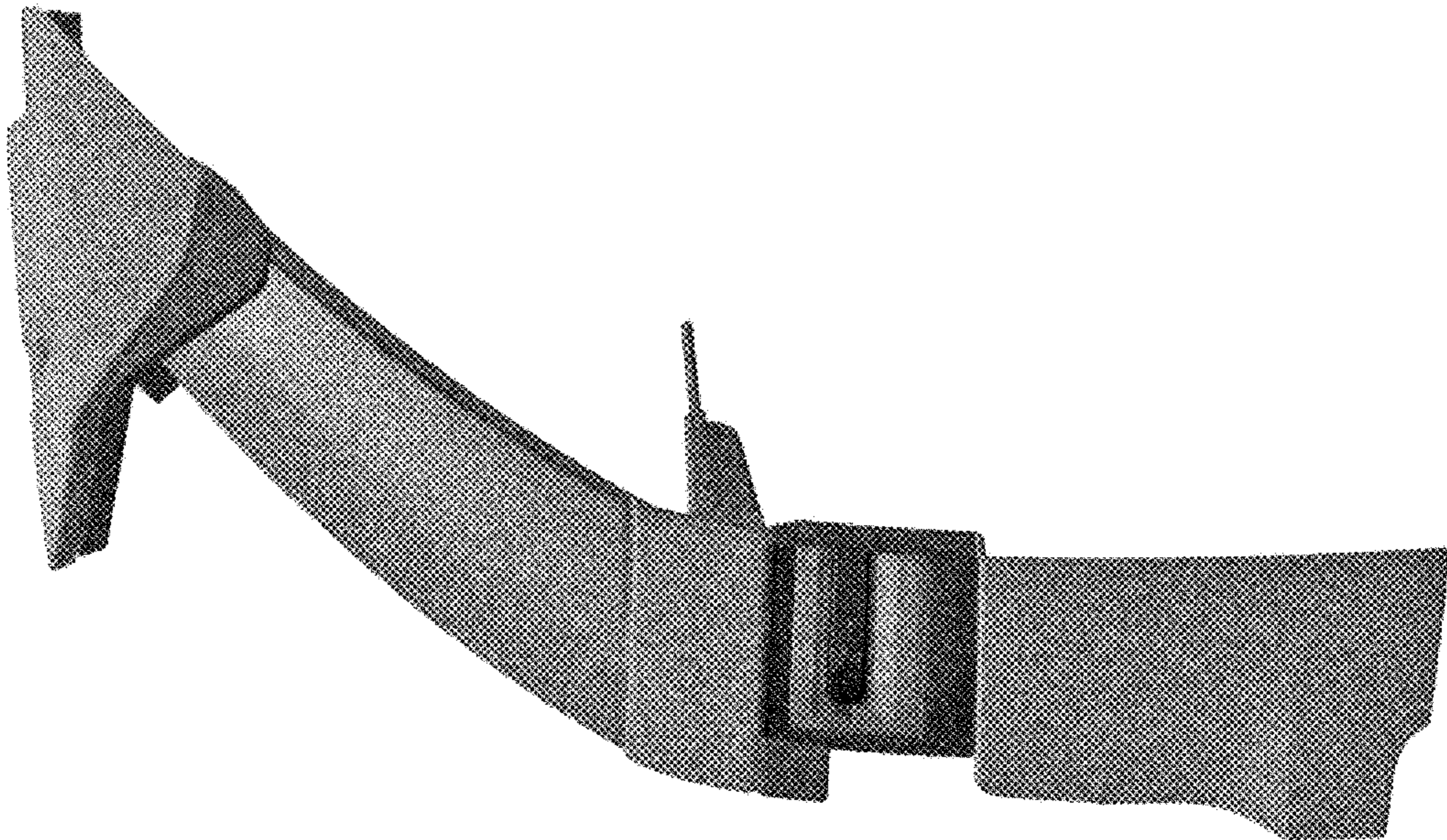


FIG. 12

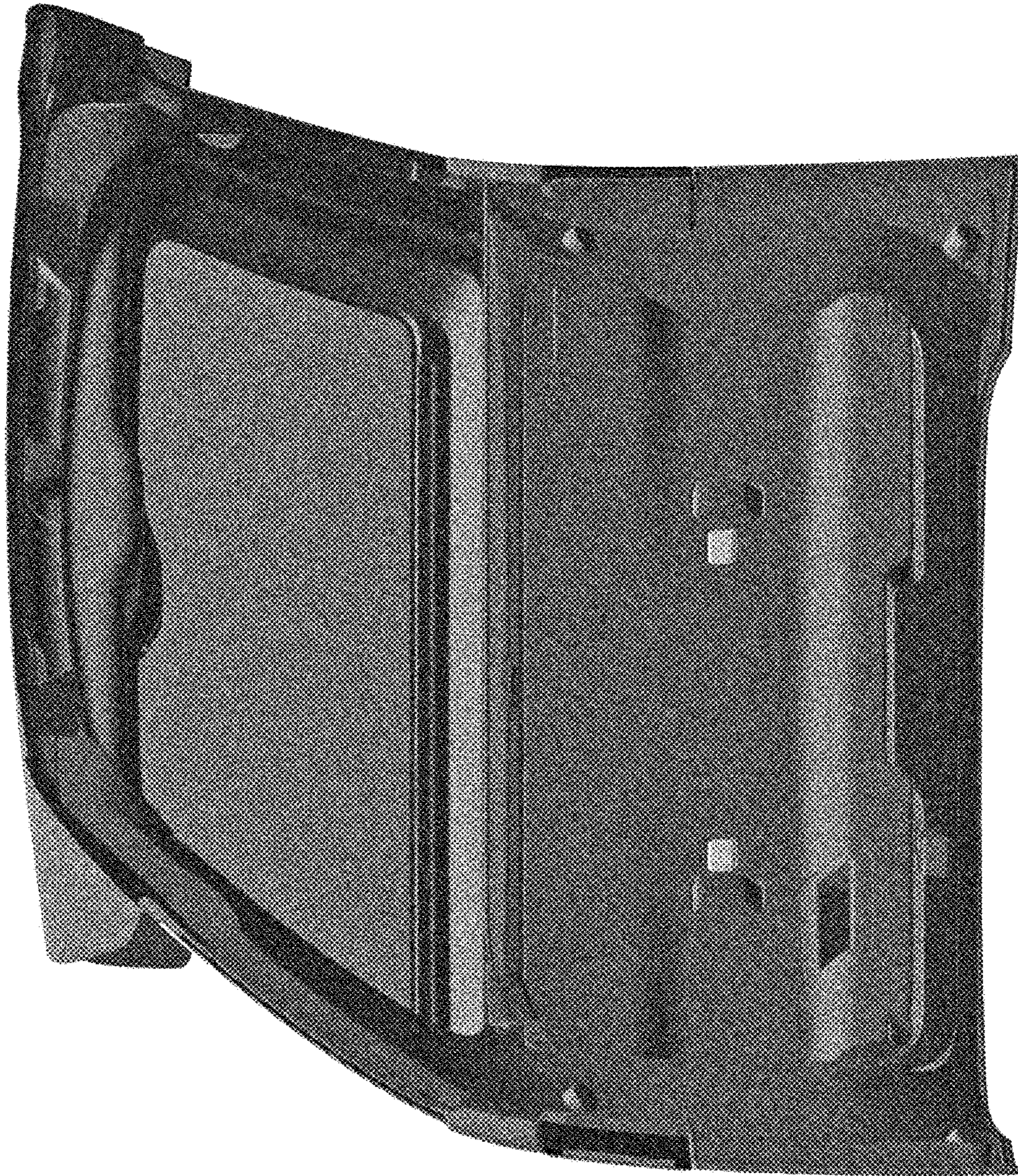


FIG. 14

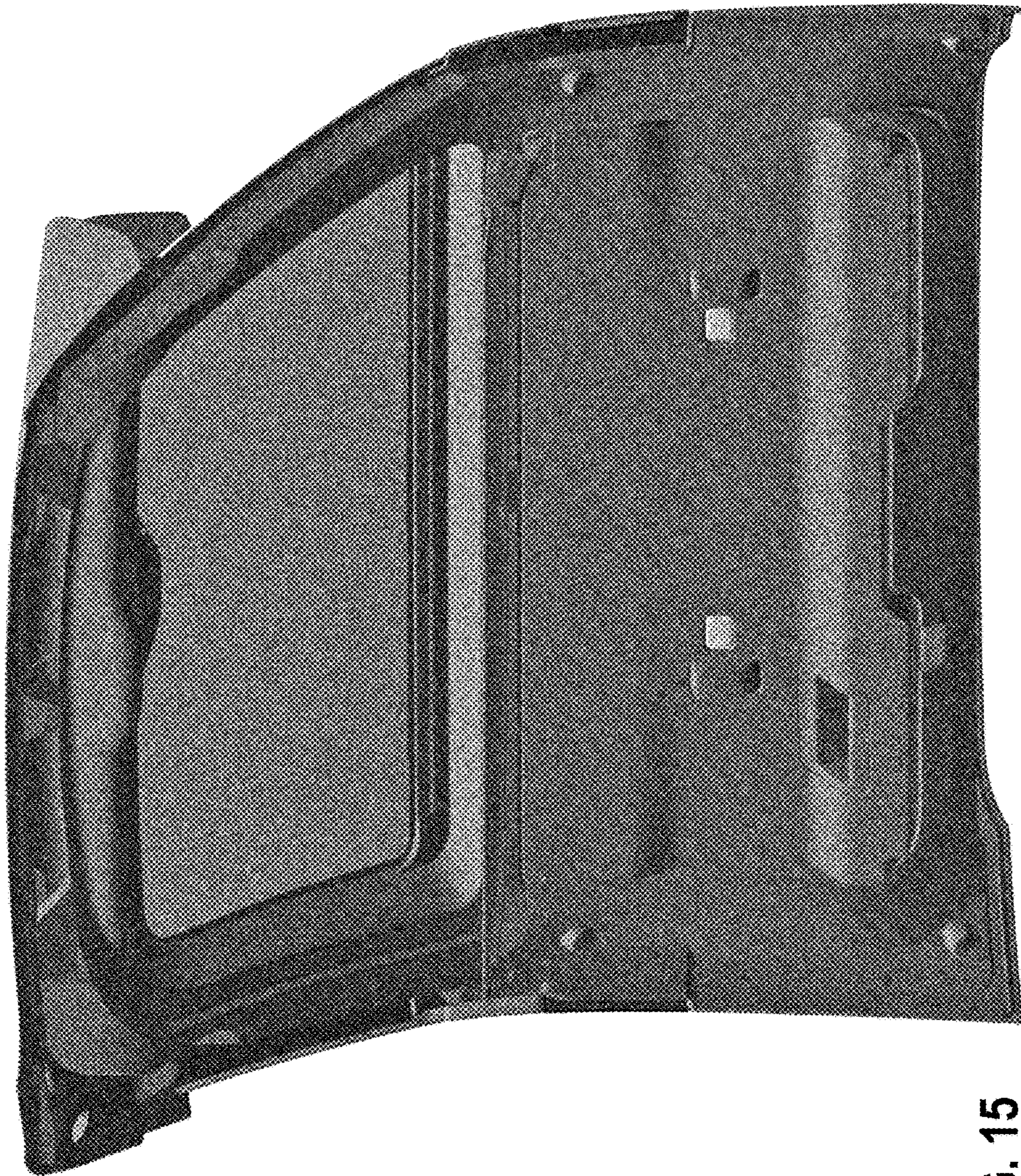


FIG. 15

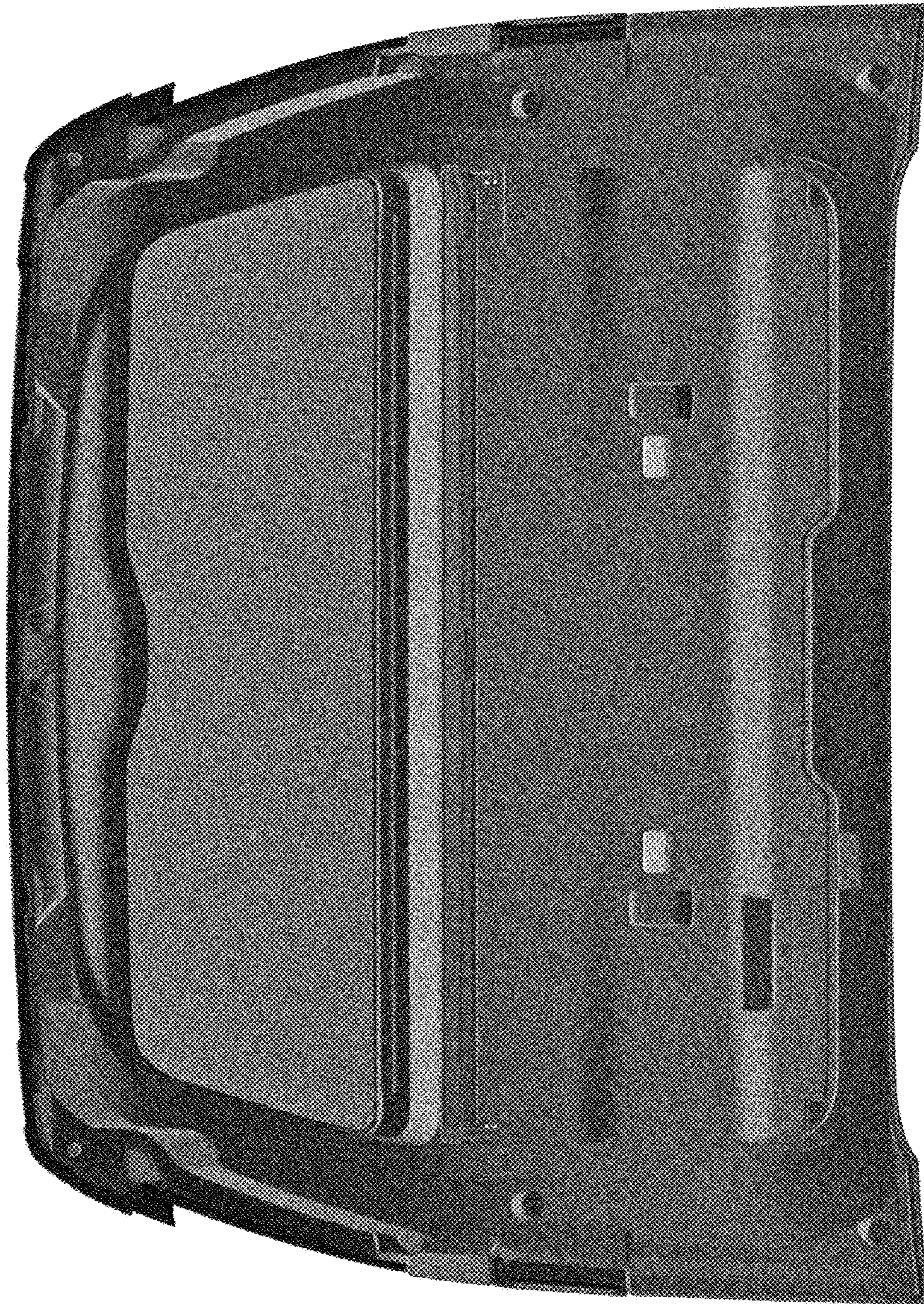


FIG. 16

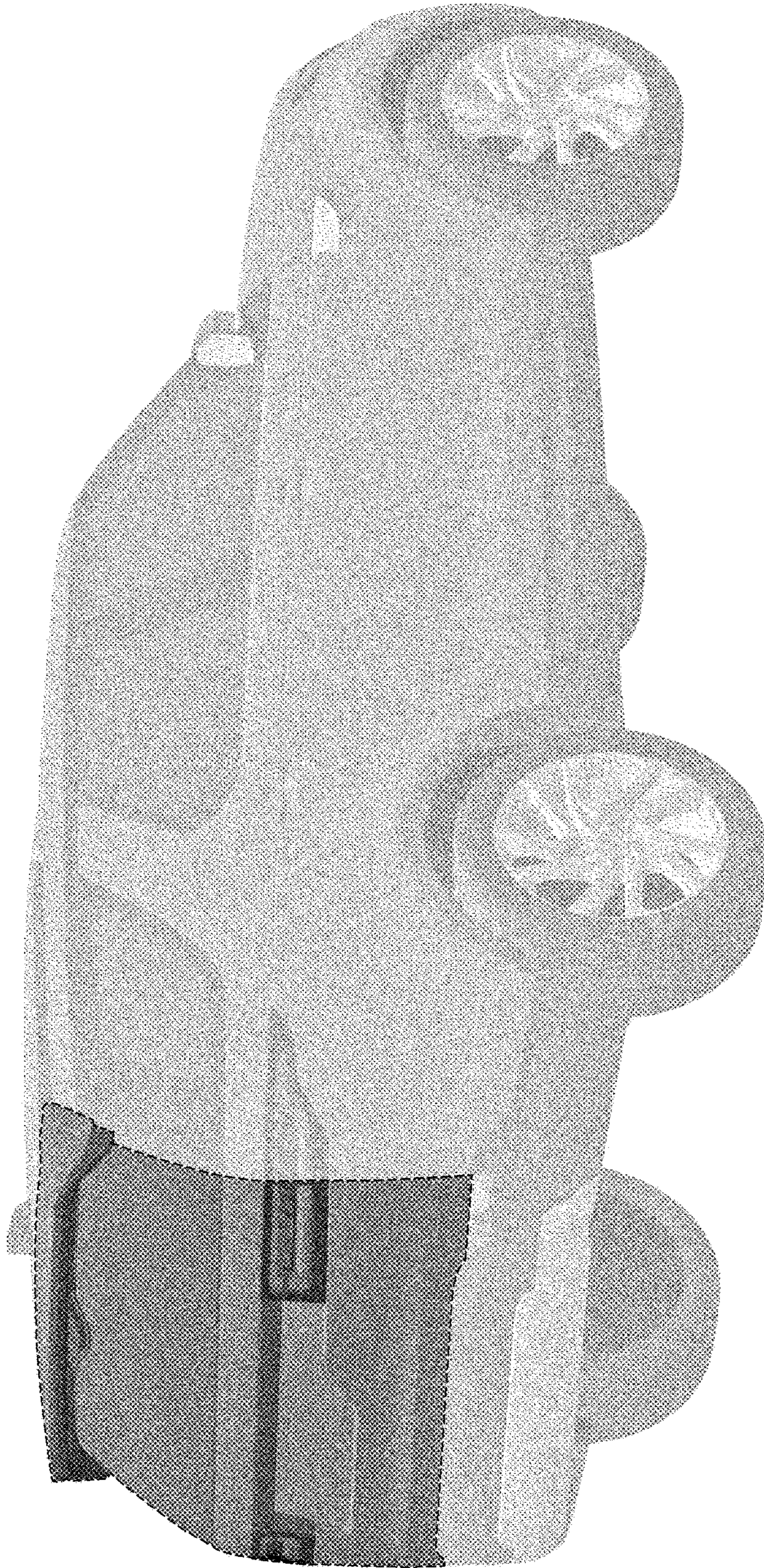


FIG. 17

UNITED STATES PATENT AND TRADEMARK OFFICE
CERTIFICATE OF CORRECTION

PATENT NO. : D823,209 S
APPLICATION NO. : 29/591346
DATED : July 17, 2018
INVENTOR(S) : Robin Austin

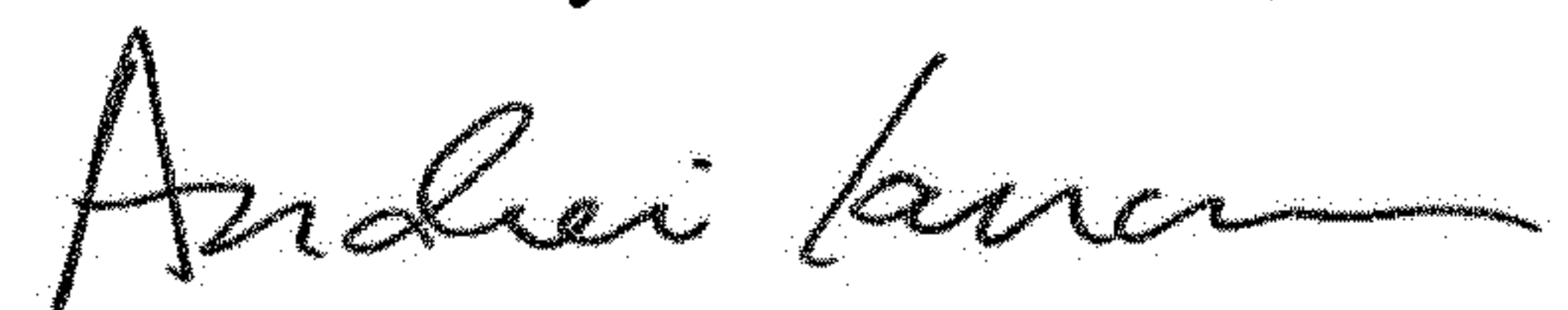
Page 1 of 1

It is certified that error appears in the above-identified patent and that said Letters Patent is hereby corrected as shown below:

On the Title Page

Column 2, under Description, reads "FIG. 15 is rear left perspective view thereof." and should read -- FIG 15 is a rear left perspective view thereof. --

Signed and Sealed this
Twelfth Day of November, 2019



Andrei Iancu
Director of the United States Patent and Trademark Office