



US00D823207S

(12) **United States Design Patent**
Olson

(10) **Patent No.:** **US D823,207 S**
(45) **Date of Patent:** **** Jul. 17, 2018**

(54) **LICENSE PLATE BRACKET WITH TURN INDICATORS**

(71) Applicant: **Mitchell Robert Olson**, Wildomar, CA (US)

(72) Inventor: **Mitchell Robert Olson**, Wildomar, CA (US)

(**) Term: **15 Years**

(21) Appl. No.: **29/618,901**

(22) Filed: **Sep. 25, 2017**

(51) **LOC (11) Cl.** **12-16**

(52) **U.S. Cl.**
USPC **D12/193**

(58) **Field of Classification Search**
USPC D12/193; D6/300, 301, 302, 310, 311, D6/312, 313, 314; D20/13
CPC B60R 13/10; B60R 13/105; B60R 19/24; B60R 19/52
See application file for complete search history.

(56) **References Cited**

U.S. PATENT DOCUMENTS

D471,497 S	*	3/2003	Baker	D12/193
D516,483 S	*	3/2006	Eidsmore	D12/193
D546,256 S	*	7/2007	Fischer, III	D12/193
D564,429 S	*	3/2008	Hirth	D12/193
D566,023 S	*	4/2008	Pacleb	D12/193
D580,445 S	*	11/2008	Bremmon	D14/451

D644,582 S	*	9/2011	Palmer	D12/193
D684,513 S	*	6/2013	Spencer	D12/193
D713,771 S	*	9/2014	Kuo	D12/193
D773,365 S	*	12/2016	Starke	D12/193
D775,035 S	*	12/2016	Alesi	D12/193
D802,506 S	*	11/2017	Bargen	D12/193

* cited by examiner

Primary Examiner — George D. Kirschbaum

Assistant Examiner — Natasha Vujcic

(74) *Attorney, Agent, or Firm* — Plager Schack LLP

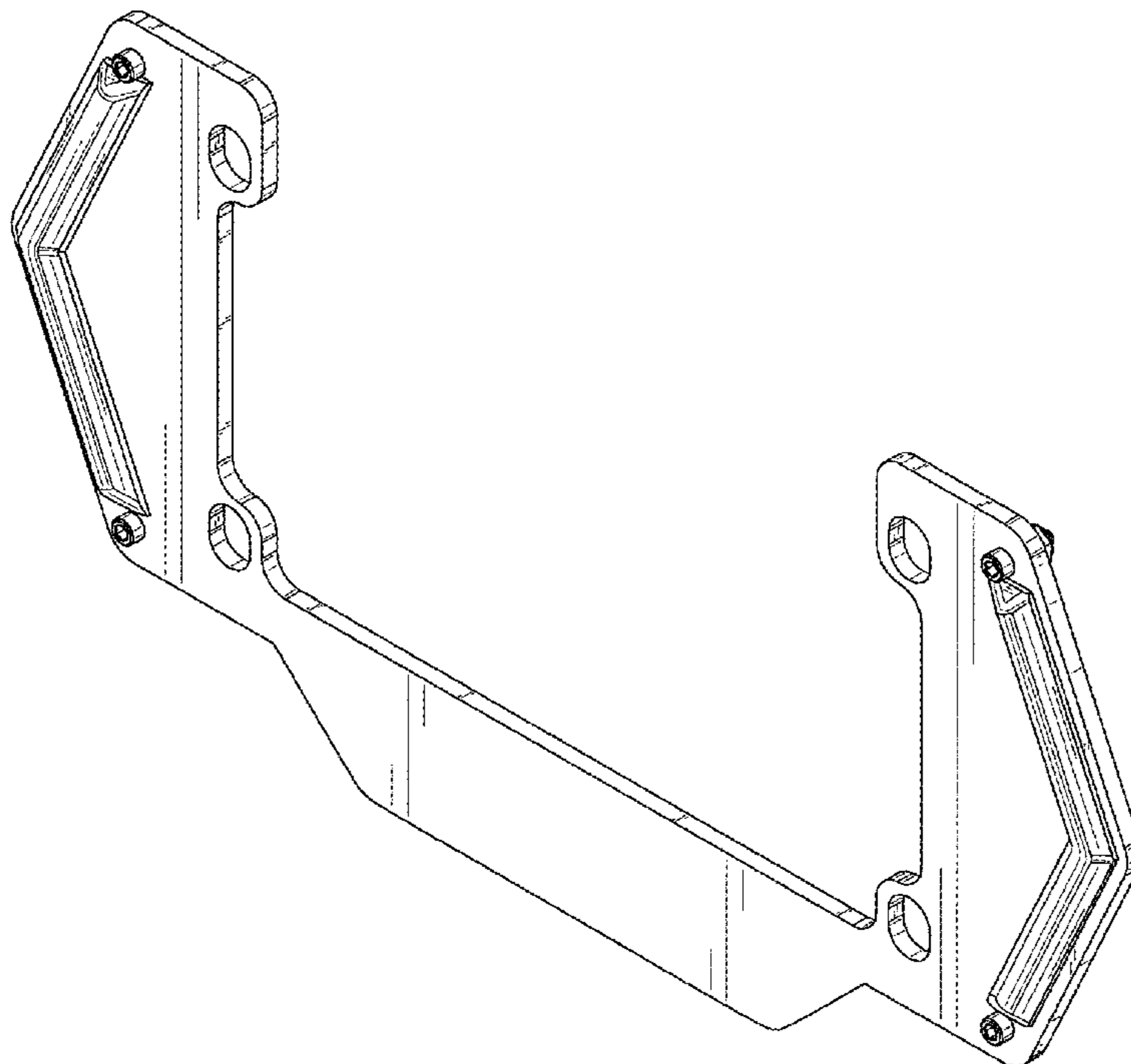
(57) **CLAIM**

The ornamental design for a license plate bracket with turn indicators, as shown and described.

DESCRIPTION

FIG. 1 is a perspective view of the license plate bracket with turn indicators.
 FIG. 2 is a front elevation view of the license plate bracket with turn indicators.
 FIG. 3 is a rear elevation view of the license plate bracket with turn indicators.
 FIG. 4 is a right side view of the license plate bracket with turn indicators.
 FIG. 5 is a left side view of the license plate bracket with turn indicators.
 FIG. 6 is a top plan view of the license plate bracket with turn indicators; and,
 FIG. 7 is a bottom plan view of the license plate bracket with turn indicators.

1 Claim, 5 Drawing Sheets



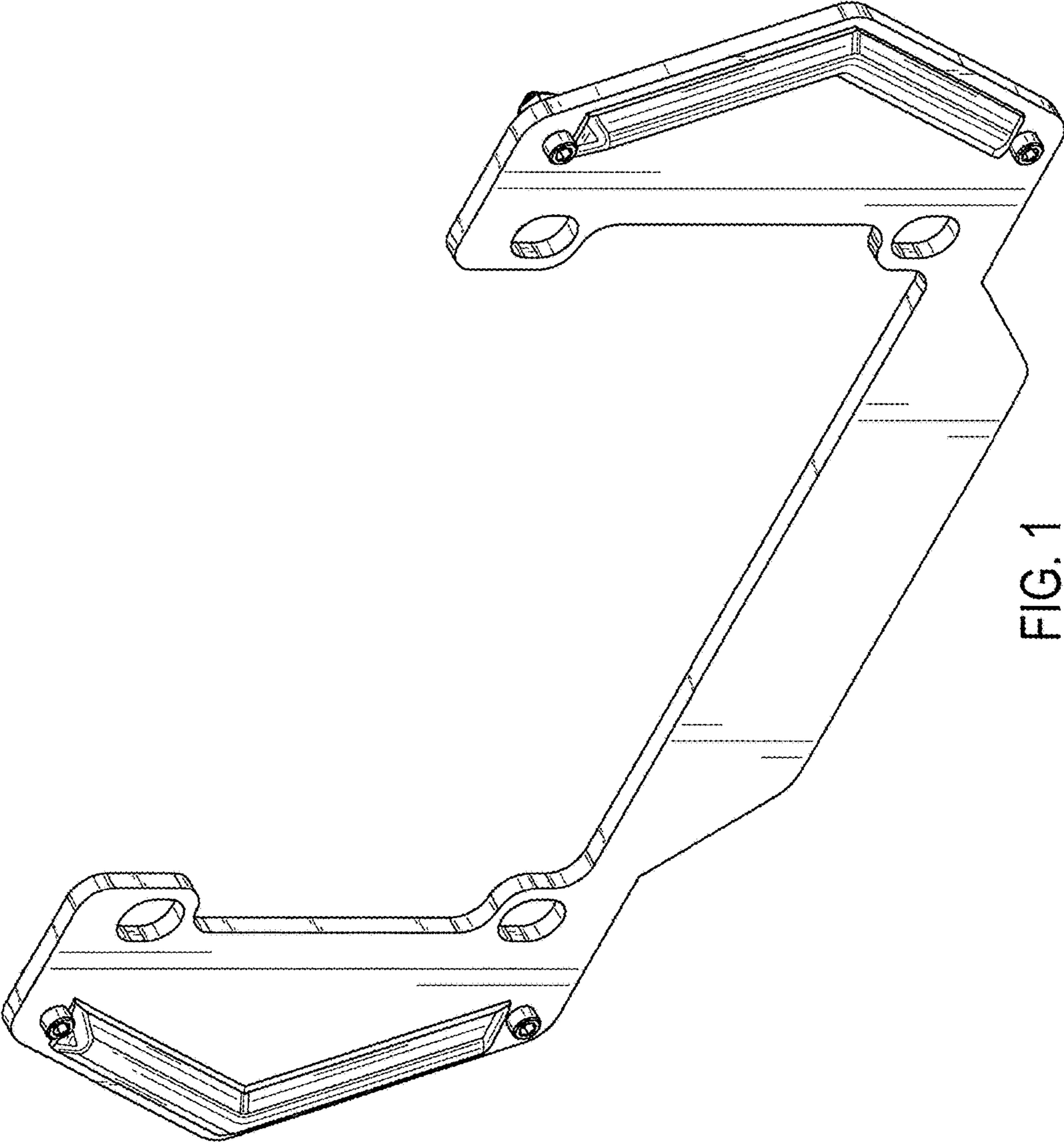


FIG. 1

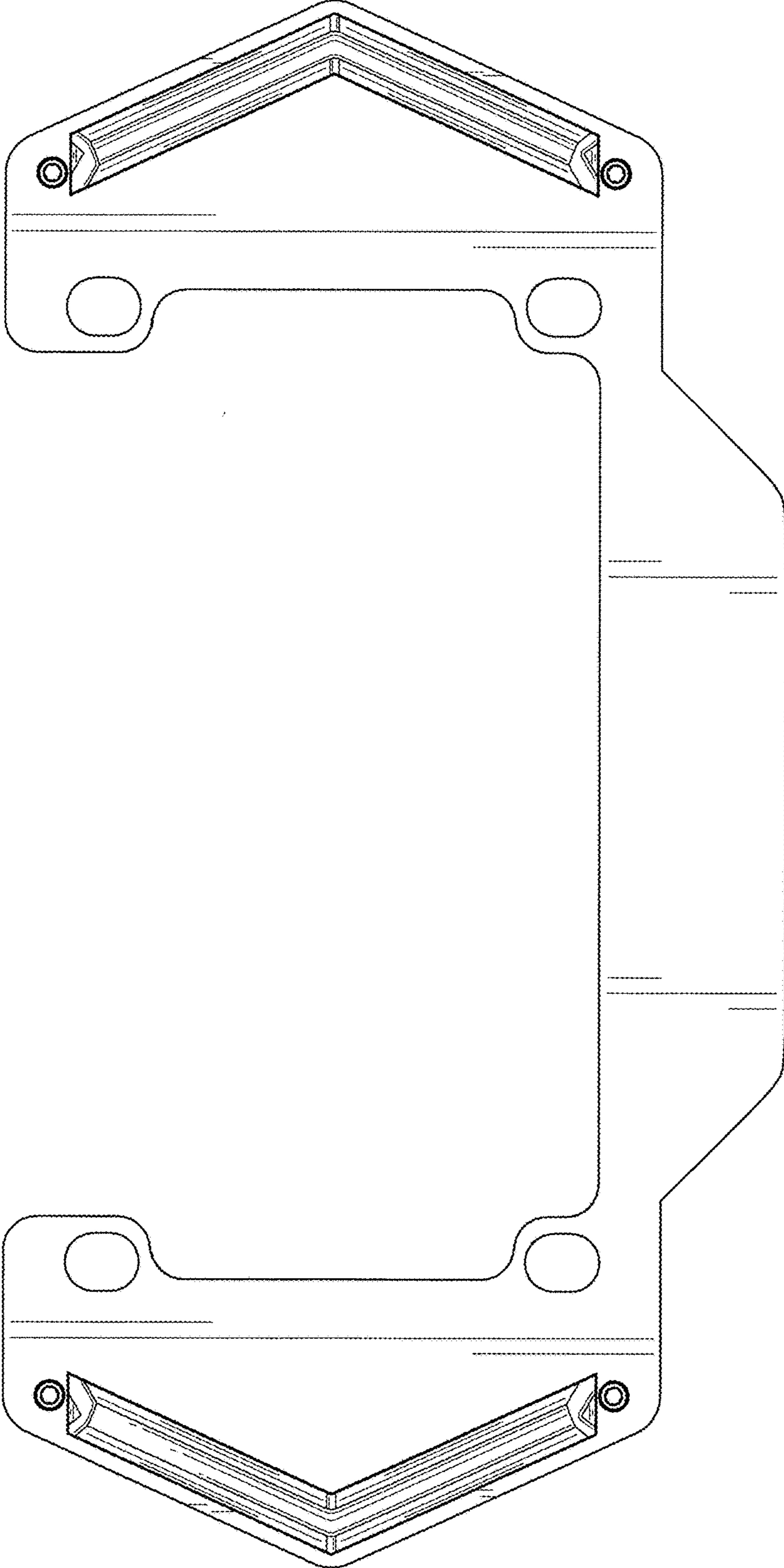


FIG. 2

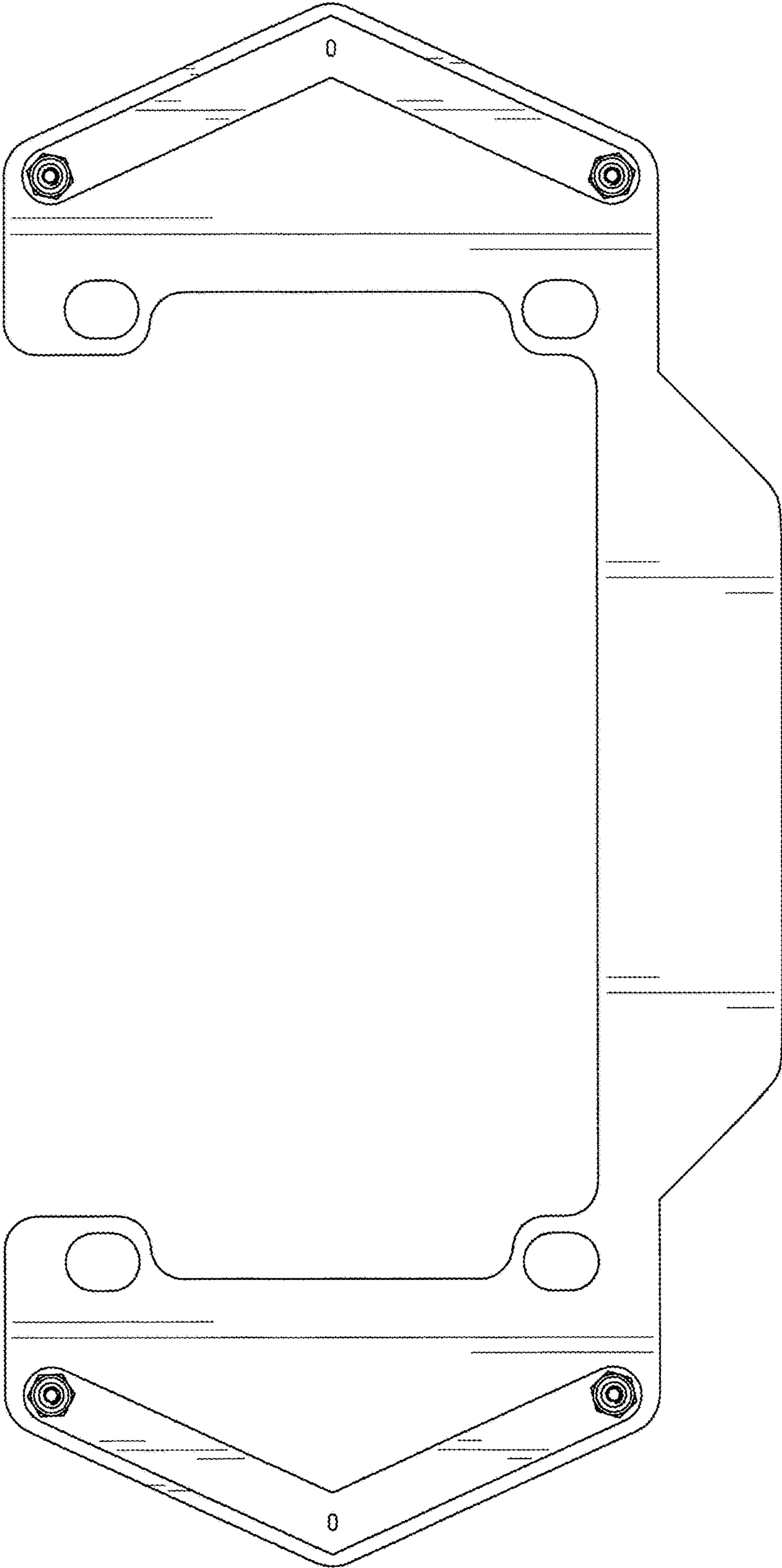


FIG. 3

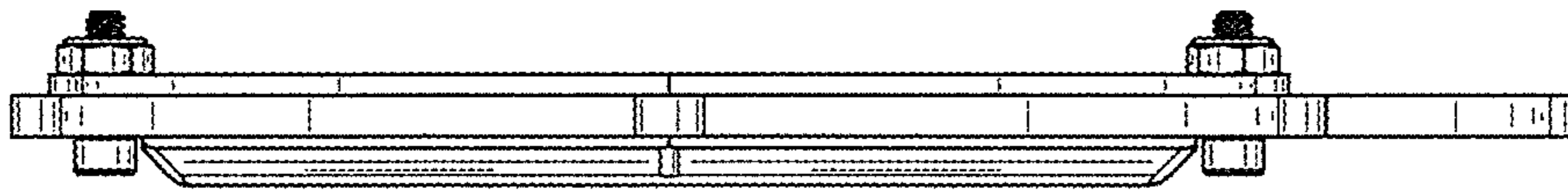


FIG. 5

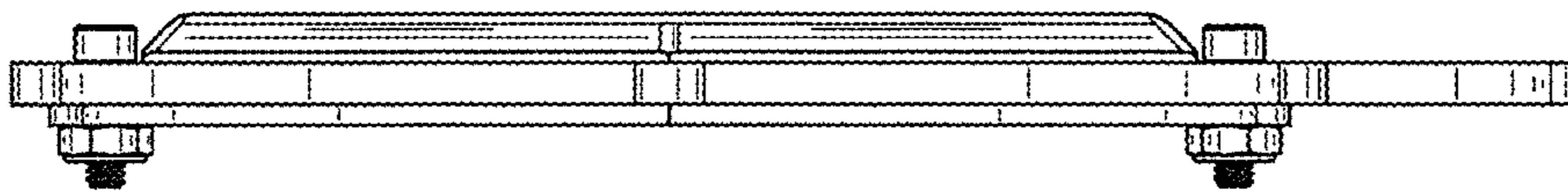


FIG. 4

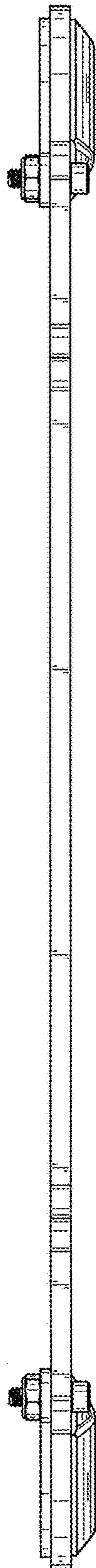


FIG. 6

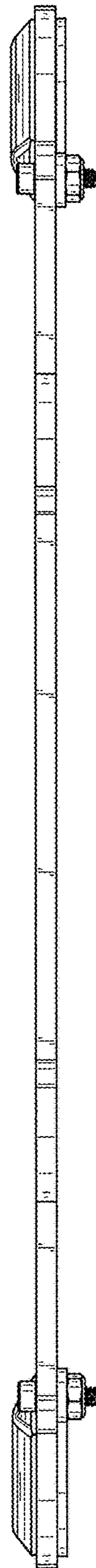


FIG. 7