



US00D823206S

(12) **United States Design Patent**
Watanabe

(10) **Patent No.:** **US D823,206 S**
(45) **Date of Patent:** **** Jul. 17, 2018**

(54) **DASHBOARD FOR A CAR, INCLUDING TOY-CAR, MOTOR CAR, REPLICAR, SCALE-MODEL-CAR, AND/OR OTHER REPLICAS**

D791,660 S * 7/2017 Arceo D12/192
D791,663 S * 7/2017 Gonzalez D12/192
D793,314 S * 8/2017 Yoon D12/192

* cited by examiner

(71) Applicant: **Faraday & Future Inc.**, Gardena, CA (US)

Primary Examiner — Katrina A Betton

(72) Inventor: **Rei Watanabe**, Pasadena, CA (US)

(74) *Attorney, Agent, or Firm* — Knobbe, Martens, Olson & Bear LLP

(73) Assignee: **FARADAY & FUTURE INC.**, Gardena, CA (US)

(57) **CLAIM**

(**) Term: **15 Years**

The ornamental design for a dashboard for a car, including toy-car, motor car, replica car, scale-model-car, and/or other replicas, as shown and described.

(21) Appl. No.: **29/550,120**

(22) Filed: **Dec. 30, 2015**

DESCRIPTION

(51) **LOC (11) Cl.** **12-16**

(52) **U.S. Cl.**
USPC **D12/192**

(58) **Field of Classification Search**
USPC D12/192, 415, 110, 114; D15/28, 17; D10/46, 98, 102-103, 122-127
CPC .. G08G 1/096883; G01C 21/16; G01C 21/30; G01C 21/3688
See application file for complete search history.

FIG. 1 is a top, front, and right side perspective view of a dashboard for a car, including toy-car, motor car, replica car, scale-model-car, and/or other replicas.

FIG. 2 is a top, rear, and left side perspective view of the dashboard of FIG. 1.

FIG. 3 is a front elevation view of the dashboard of FIG. 1.

FIG. 4 is a rear elevation view of the dashboard of FIG. 1.

FIG. 5 is a left side elevation view of the dashboard of FIG. 1.

FIG. 6 is a right side elevation view of the dashboard of FIG. 1.

FIG. 7 is a top plan view of the dashboard of FIG. 1; and, FIG. 8 is a bottom plan view of the dashboard of FIG. 1.

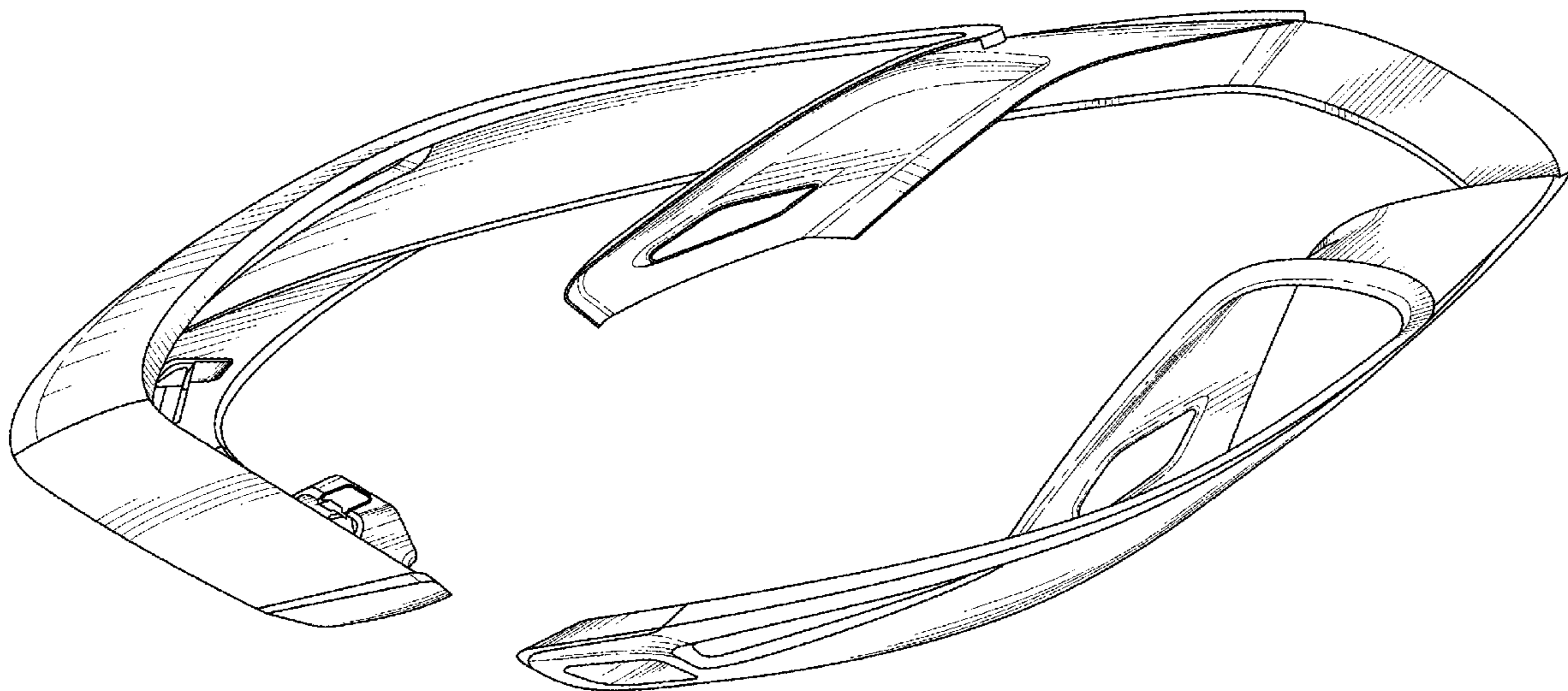
The broken lines in the drawings depict environmental structure and form no part of the claimed design.

(56) **References Cited**

U.S. PATENT DOCUMENTS

D697,862 S * 1/2014 Nemeth D12/192
D718,199 S * 11/2014 Yamanaka D12/192
D744,920 S * 12/2015 Weng D12/192
D772,128 S * 11/2016 Platt D12/192
D788,666 S * 6/2017 Yamamoto D12/192

1 Claim, 6 Drawing Sheets



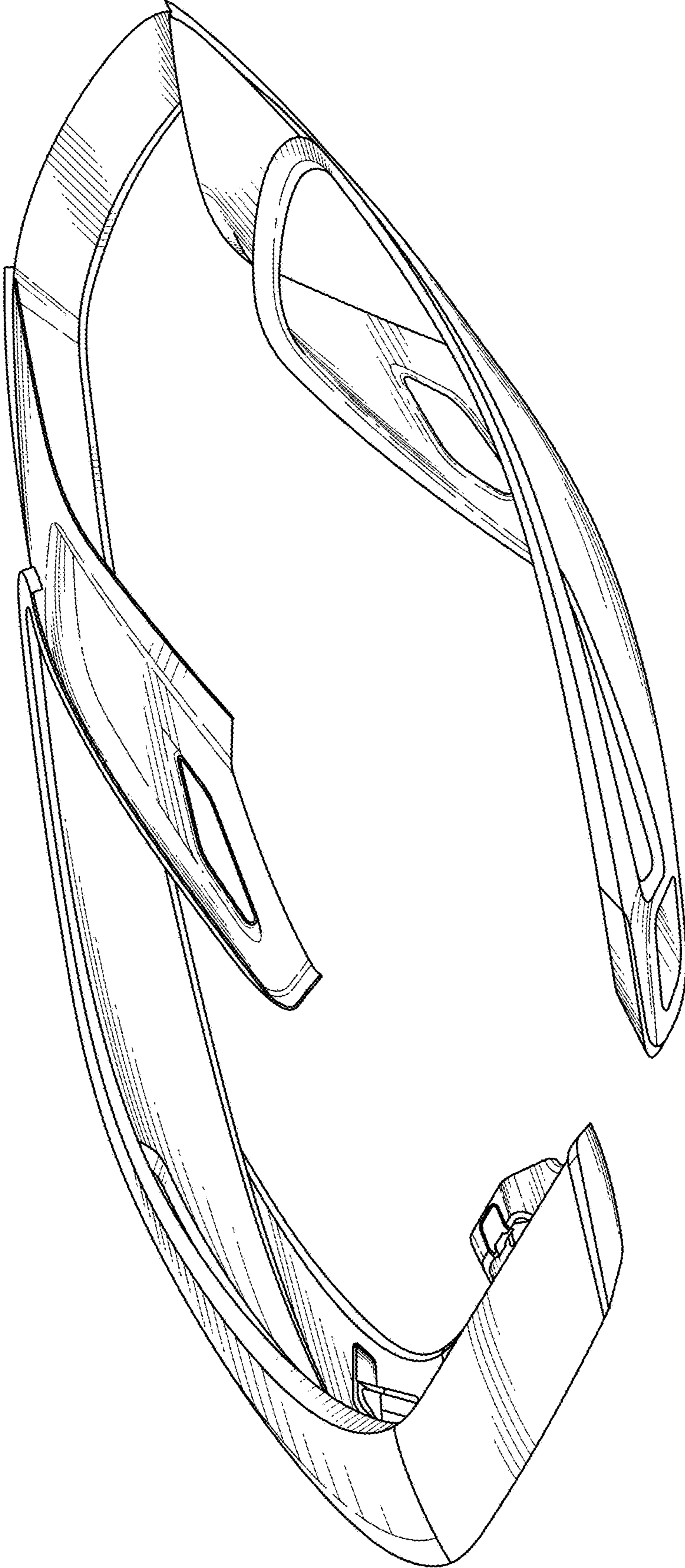


FIG. 1

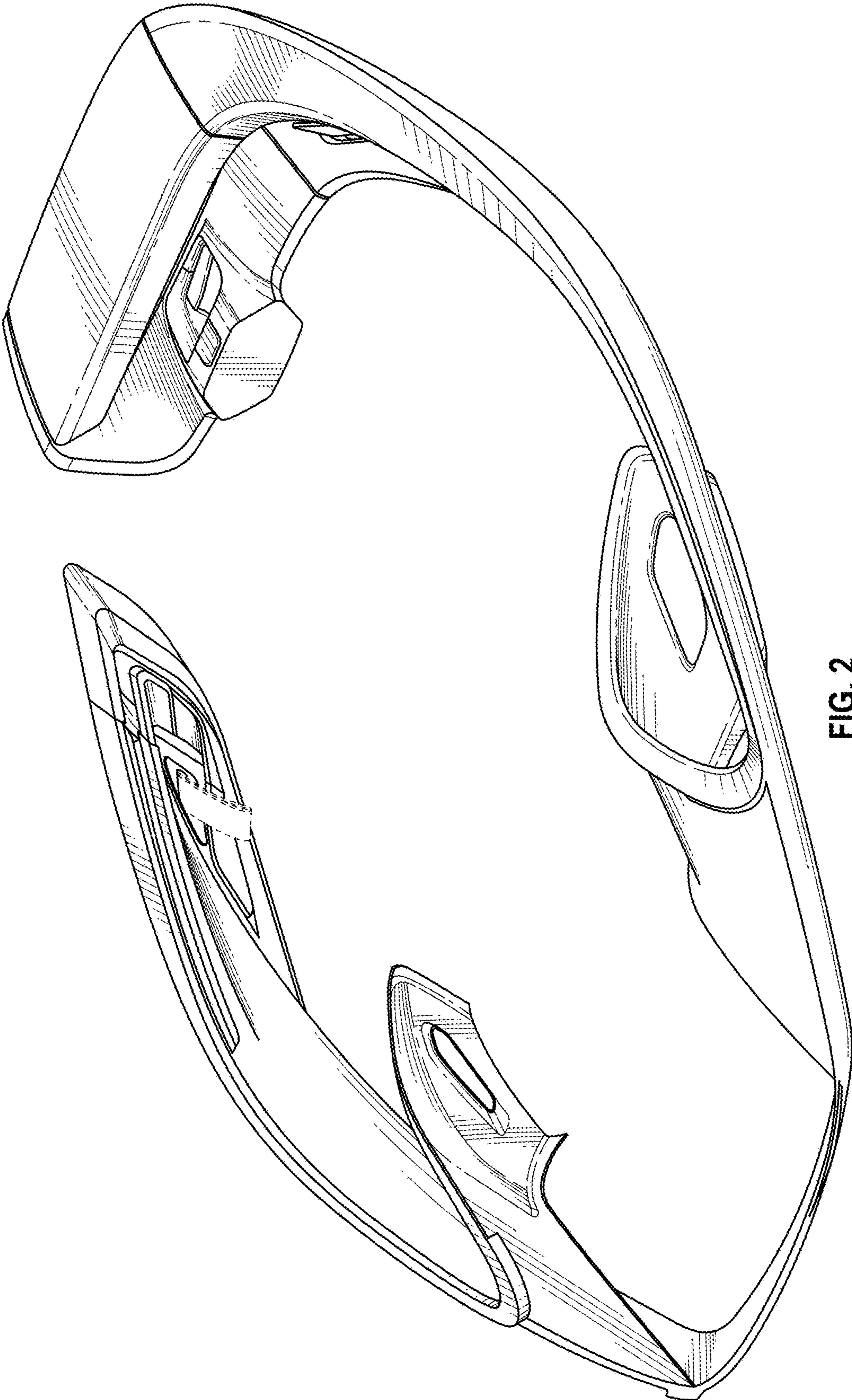


FIG. 2

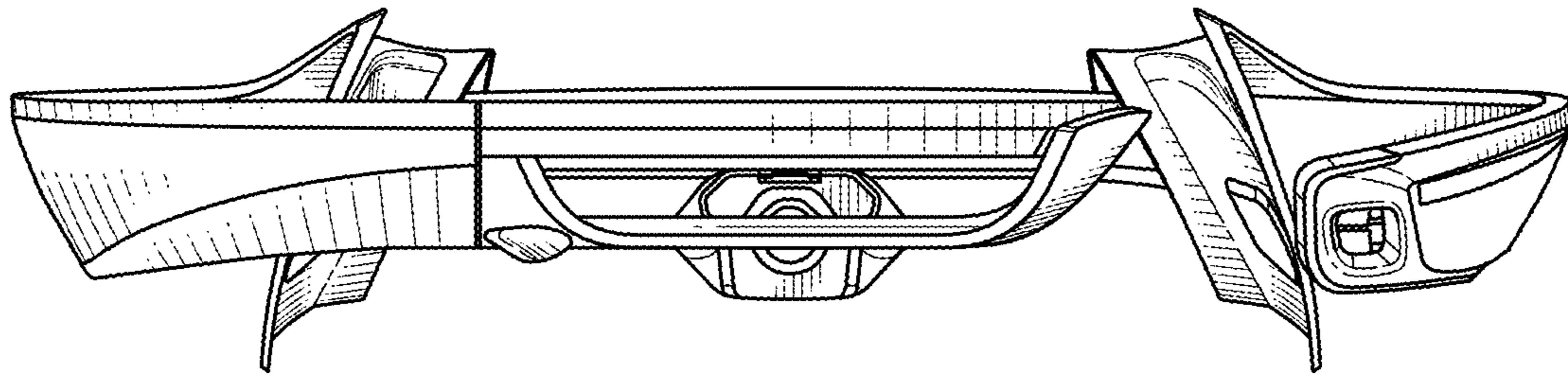


FIG. 3

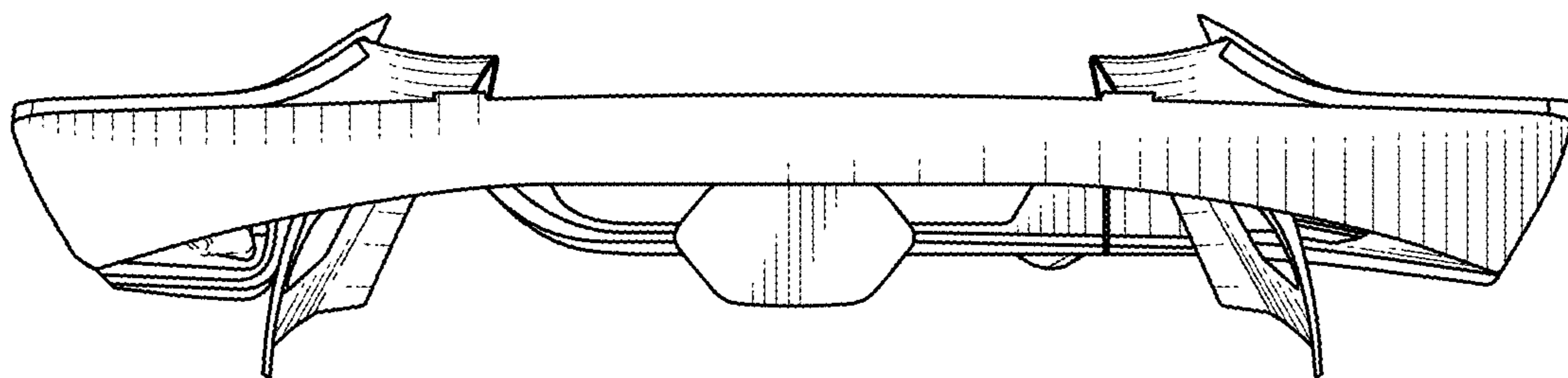


FIG. 4

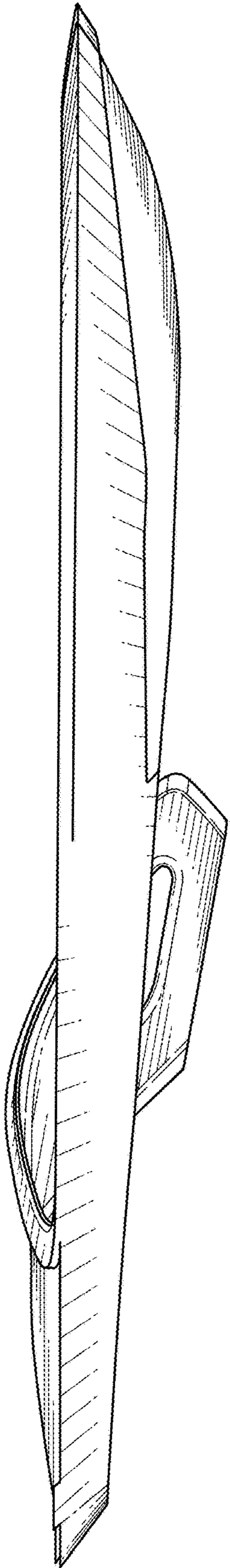


FIG. 5

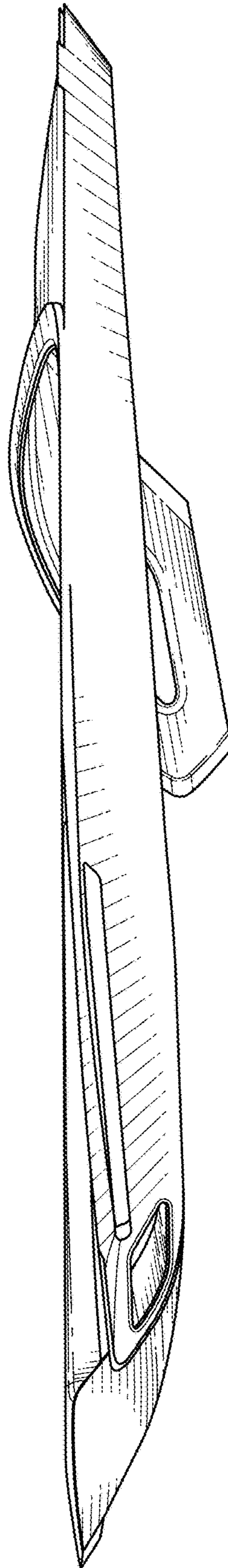


FIG. 6

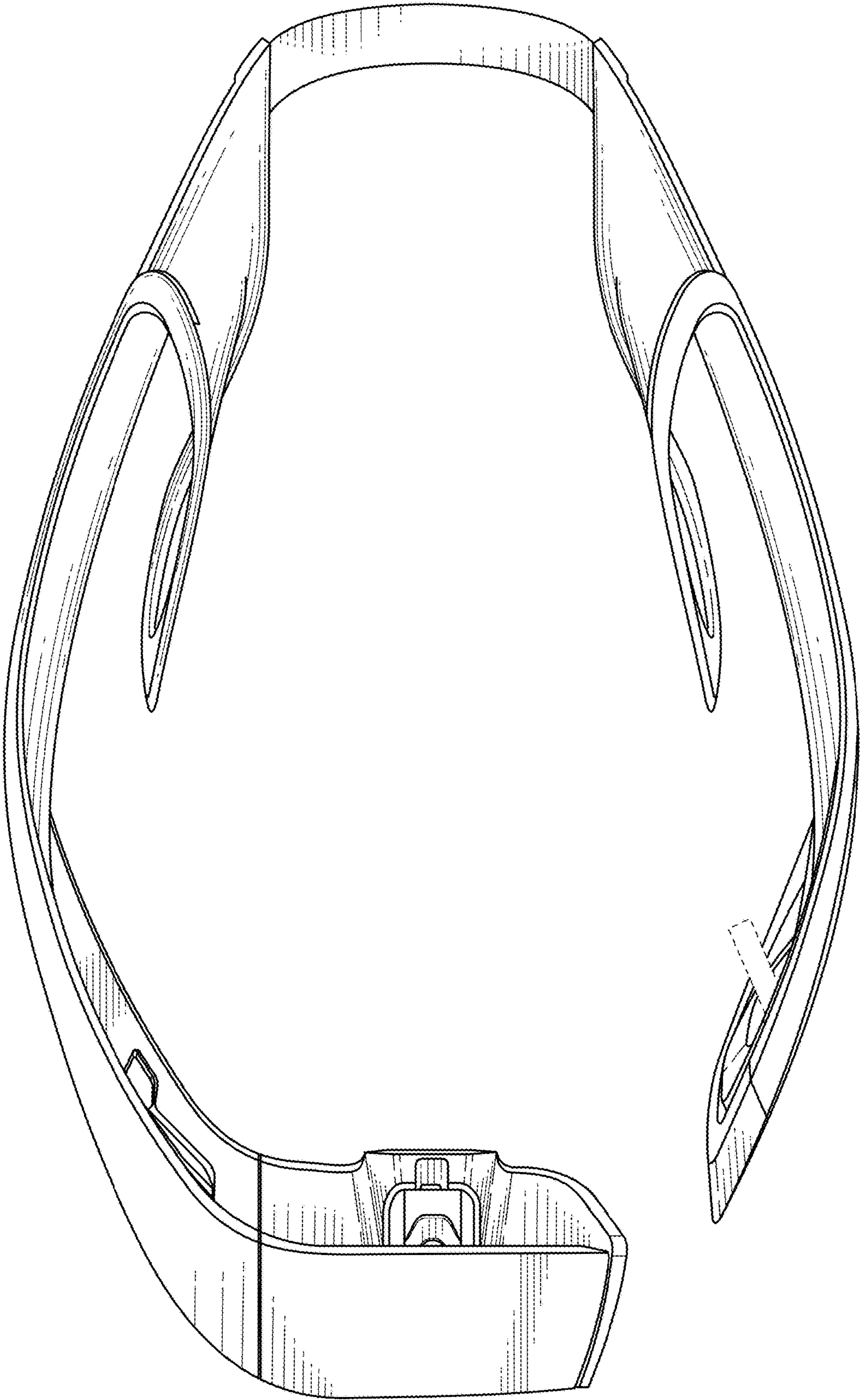


FIG. 7

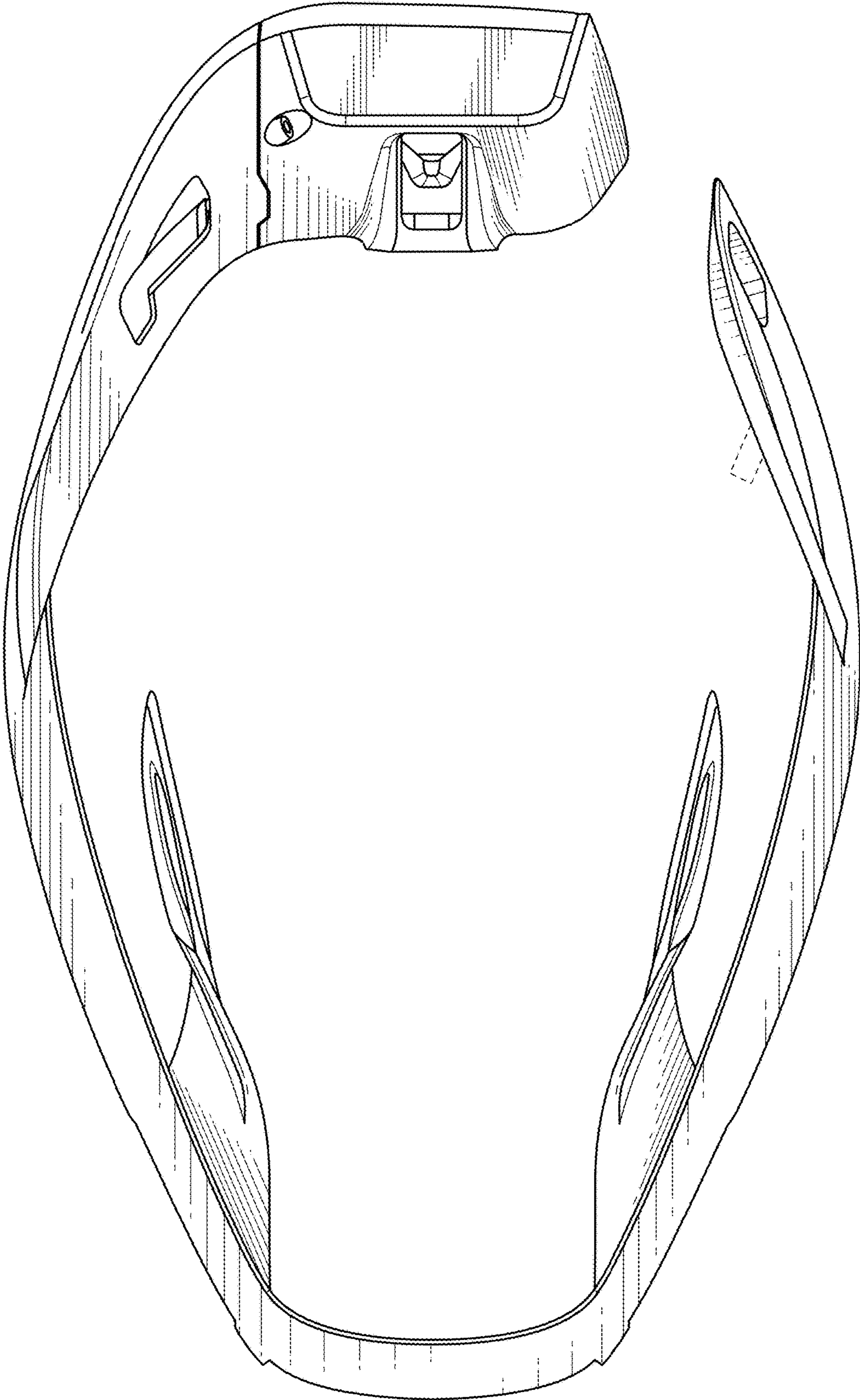


FIG. 8