



US00D823205S

(12) **United States Design Patent**
Ihns et al.

(10) **Patent No.:** **US D823,205 S**
(45) **Date of Patent:** **** Jul. 17, 2018**

(54) **ENGINE OIL PAN BAFFLE**

(71) Applicants: **Richard Michael Ihns**, Orlando, FL
(US); **Jarott Edward Nelson**, Orlando,
FL (US)

(72) Inventors: **Richard Michael Ihns**, Orlando, FL
(US); **Jarott Edward Nelson**, Orlando,
FL (US)

(73) Assignee: **Improved Racing Products, LLC**,
Orlando, FL (US)

(**) Term: **15 Years**

(21) Appl. No.: **29/610,766**

(22) Filed: **Jul. 14, 2017**

(51) **LOC (11) Cl.** **12-08**

(52) **U.S. Cl.**
USPC **D12/190**

(58) **Field of Classification Search**
USPC 123/195 C, 198 E, 196 R; D12/190, 114,
D12/126; 180/69.1, 219; 96/204;
210/532.1; D15/1-5
CPC .. F02F 7/00; F02B 77/00; F02B 77/04; F01M
11/00; F01M 11/03; F01M 11/0004
See application file for complete search history.

(56) **References Cited**

U.S. PATENT DOCUMENTS

D265,308 S * 7/1982 Zimmer, Jr. 180/69.1
6,237,720 B1 * 5/2001 Sutton F01M 11/0004
123/195 C

D449,838 S * 10/2001 Rothlisberger D12/114
D449,839 S * 10/2001 Rothlisberger D12/114
6,845,743 B1 * 1/2005 Bishop F01M 11/0004
123/195 C
7,938,095 B2 * 5/2011 Jessberger F01M 11/0004
123/195 C
8,904,988 B1 * 12/2014 Bryde F01M 11/064
123/195 C

* cited by examiner

Primary Examiner — Abraham Bahta

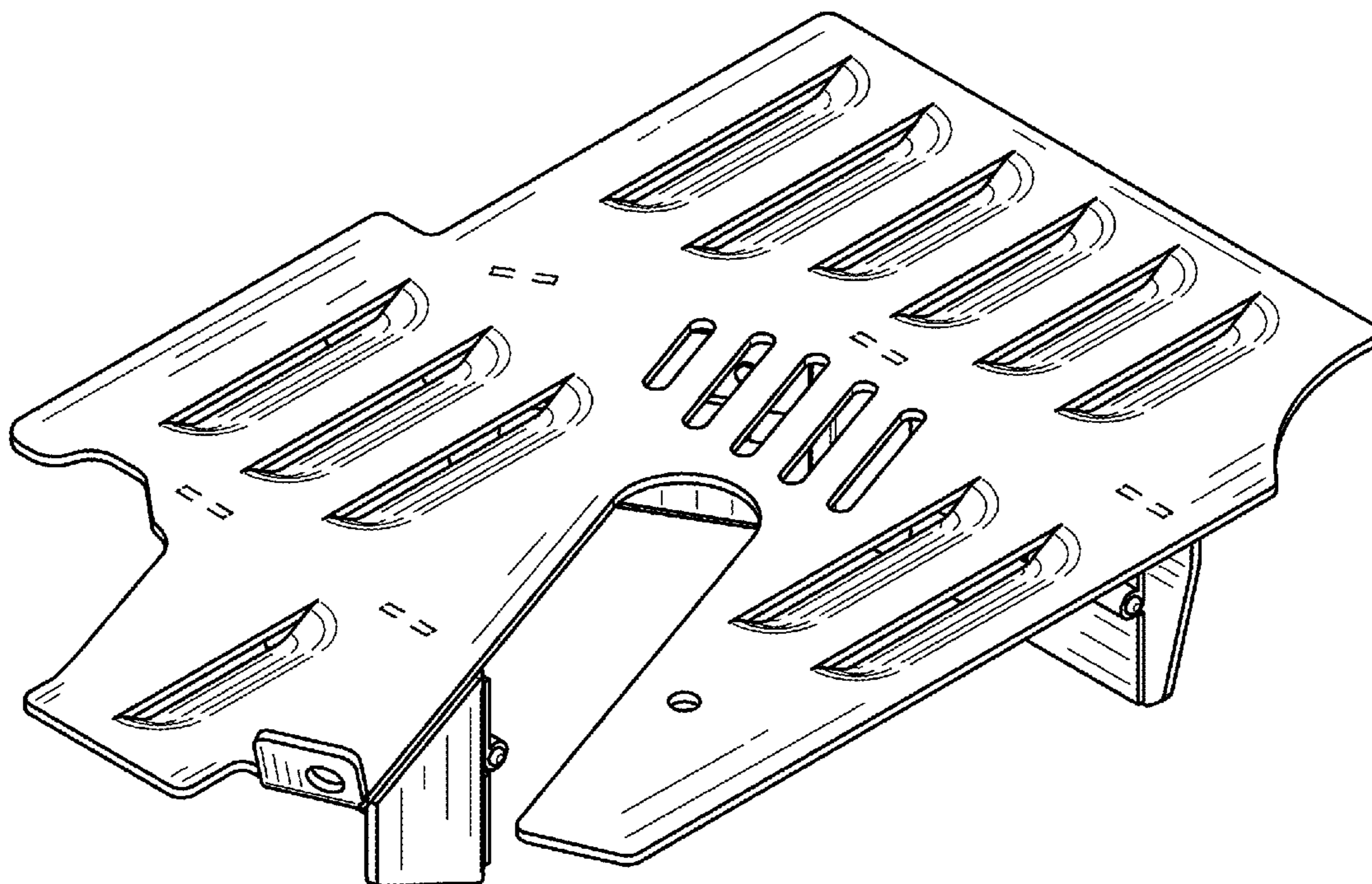
(57) **CLAIM**

The ornamental design for an engine oil pan baffle, as shown and described.

DESCRIPTION

FIG. 1 is a top perspective view of an engine oil pan baffle showing the claimed design.
FIG. 2 is a bottom perspective view of the engine oil pan baffle of FIG. 1.
FIG. 3 is a front view of the engine oil pan baffle of FIG. 1.
FIG. 4 is a rear view of the engine oil pan baffle of FIG. 1.
FIG. 5 is a left side view of the engine oil pan baffle of FIG. 1.
FIG. 6 is a right side view of the engine oil pan baffle of FIG. 1.
FIG. 7 is a bottom view of the engine oil pan baffle of FIG. 1; and,
FIG. 8 is a top view of the engine oil pan baffle of FIG. 1. The broken lines in the figures show portions of the engine oil pan baffle that form no part of the claimed design.

1 Claim, 5 Drawing Sheets



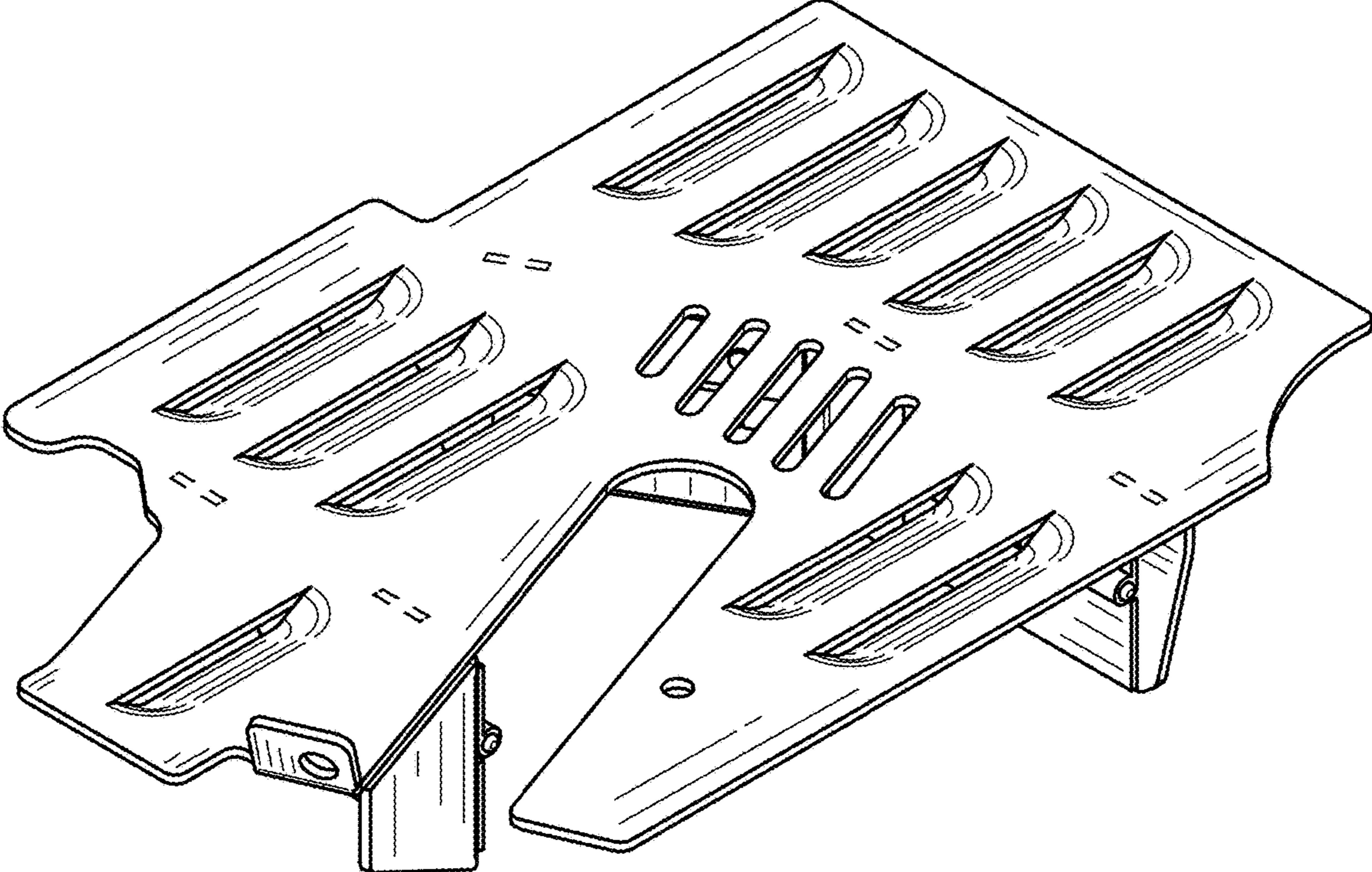


Fig. 1

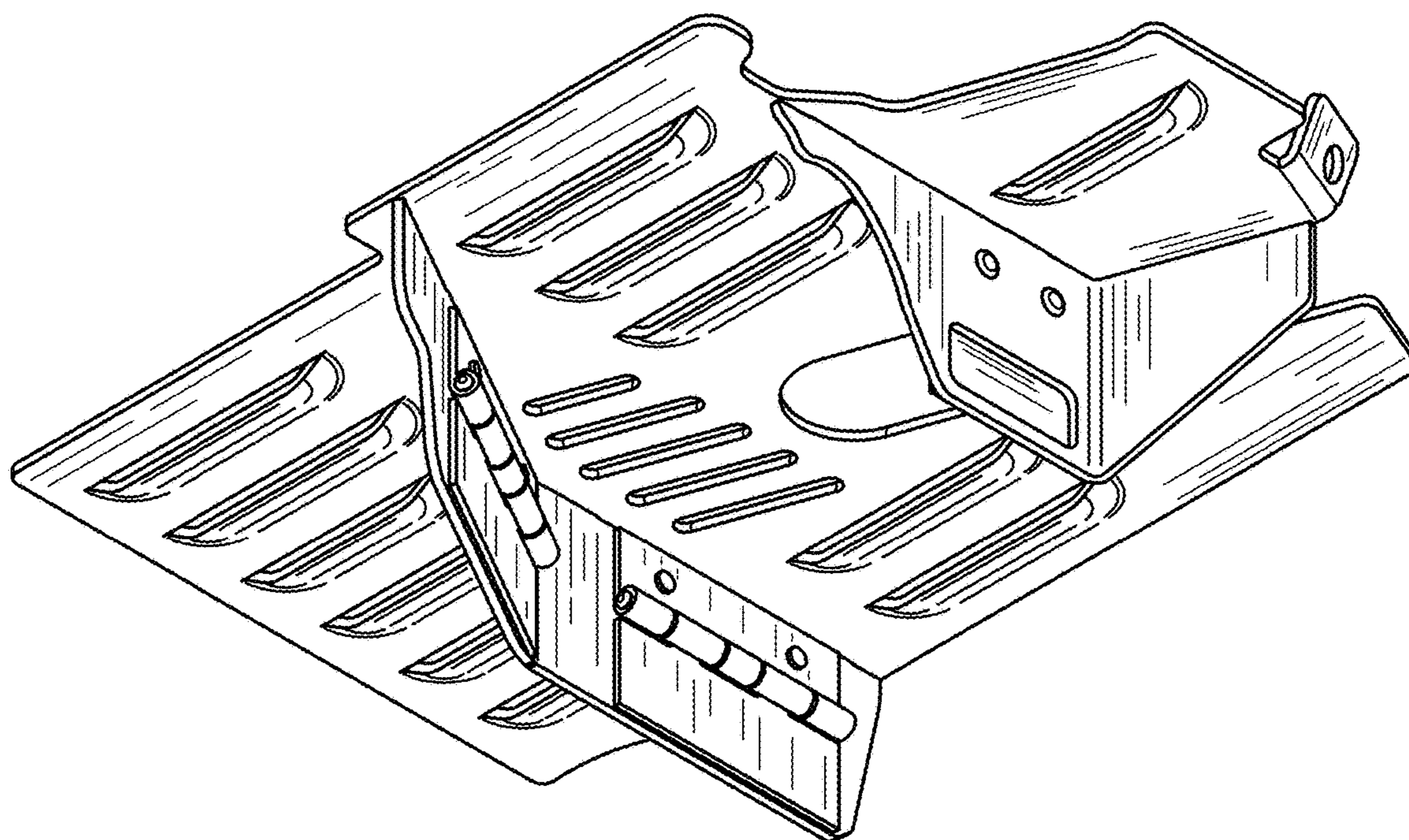


Fig. 2

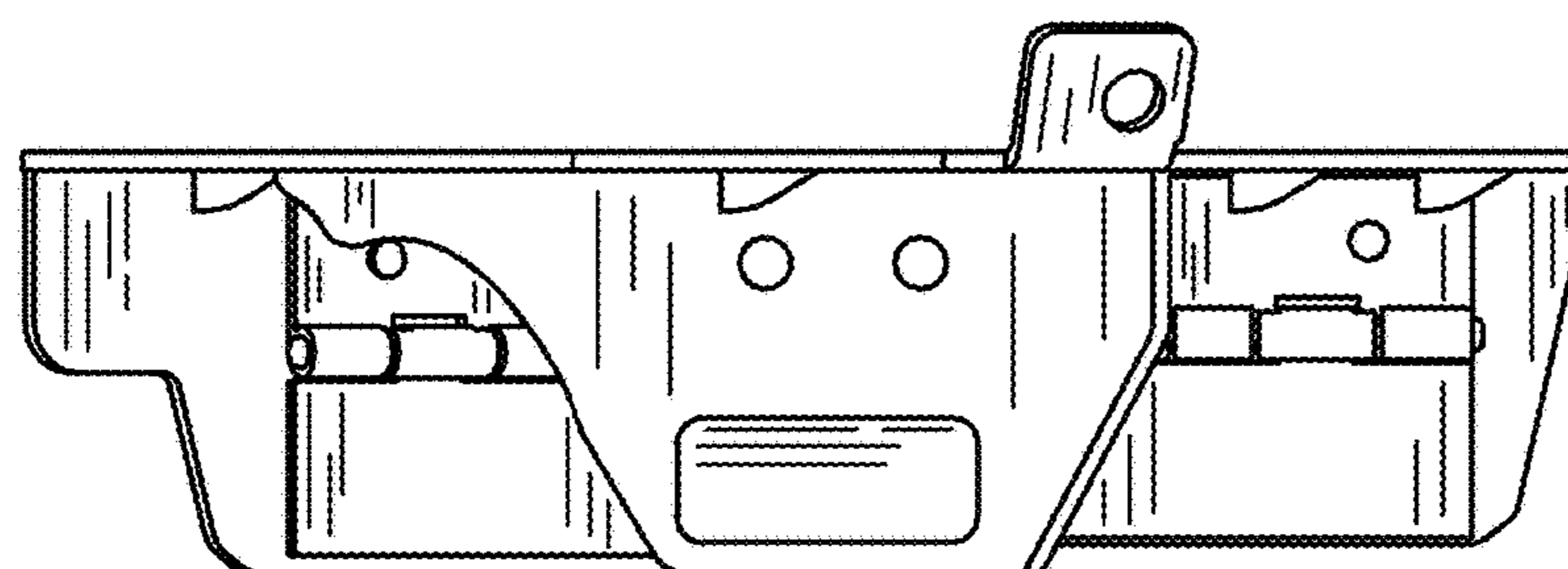


Fig. 3

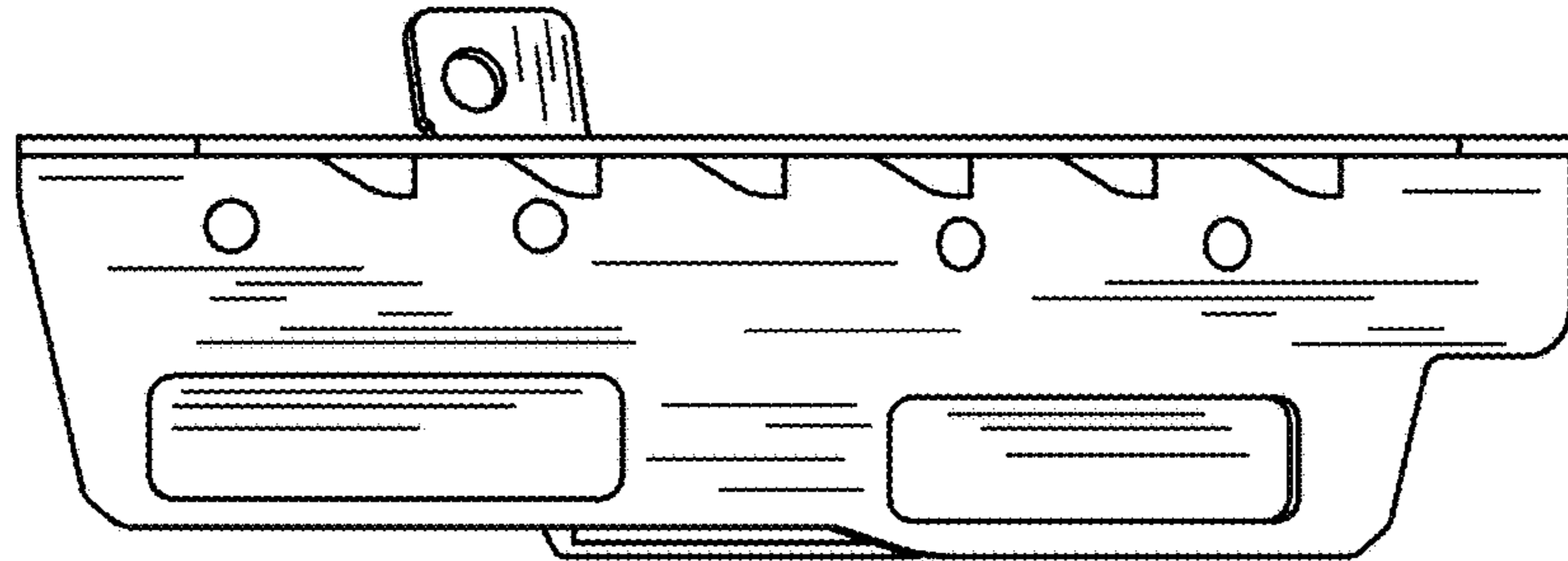


Fig. 4

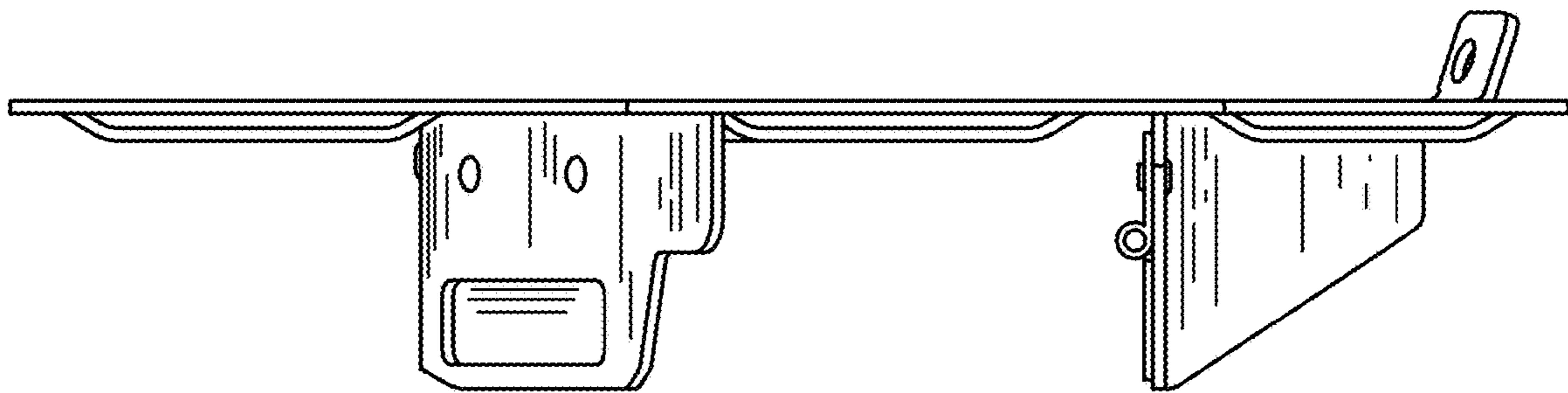


Fig. 5

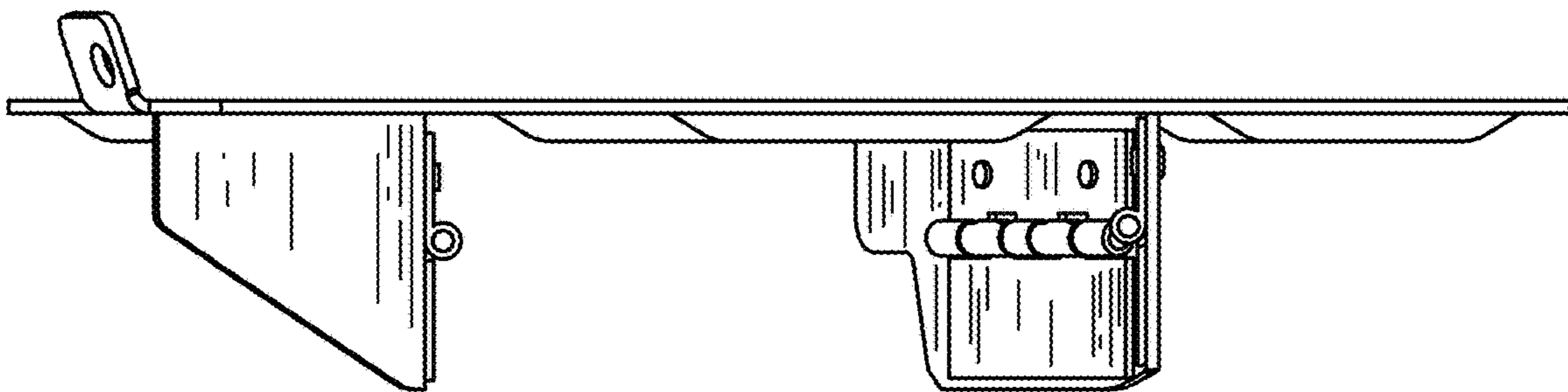


Fig. 6

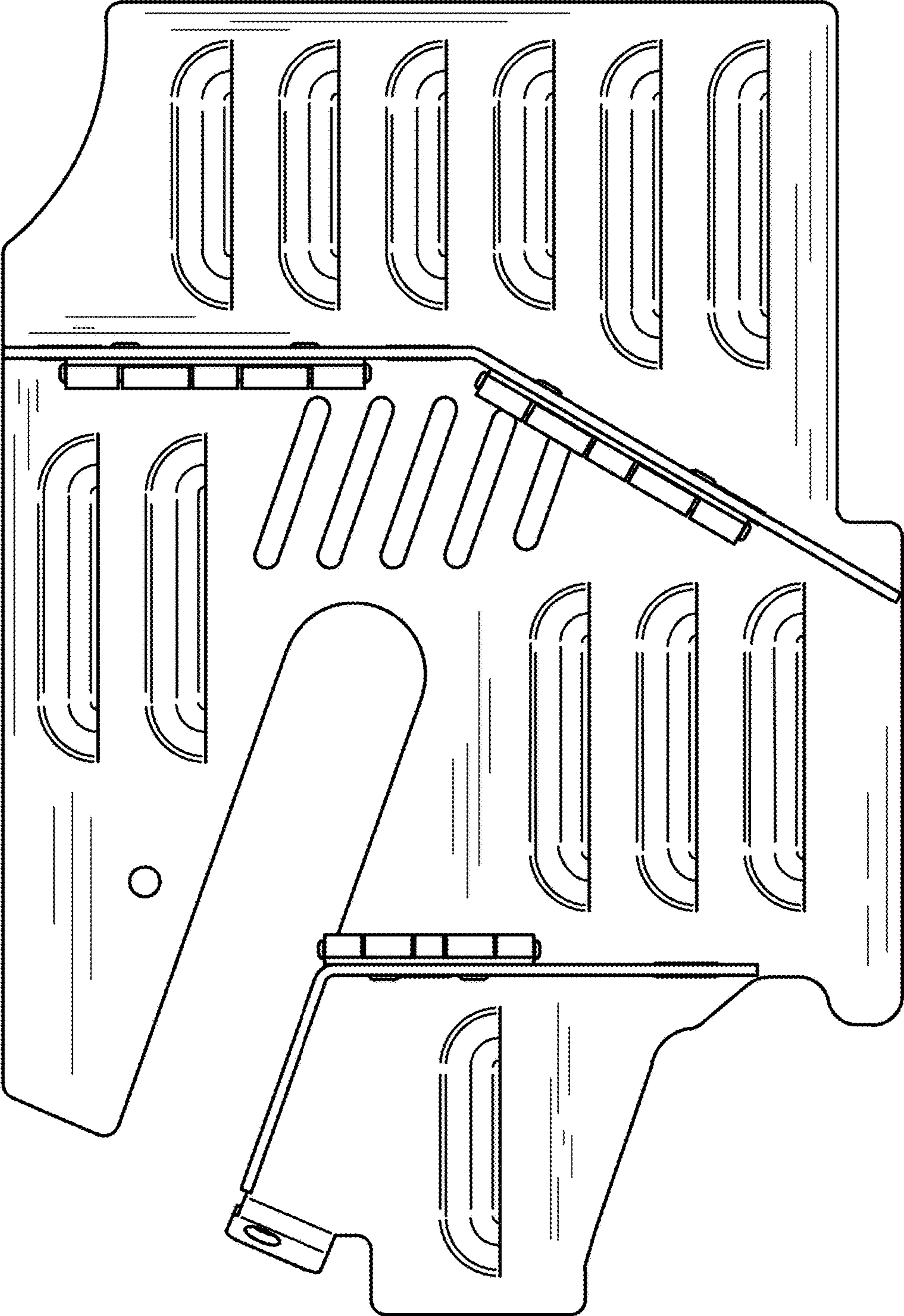


Fig. 7

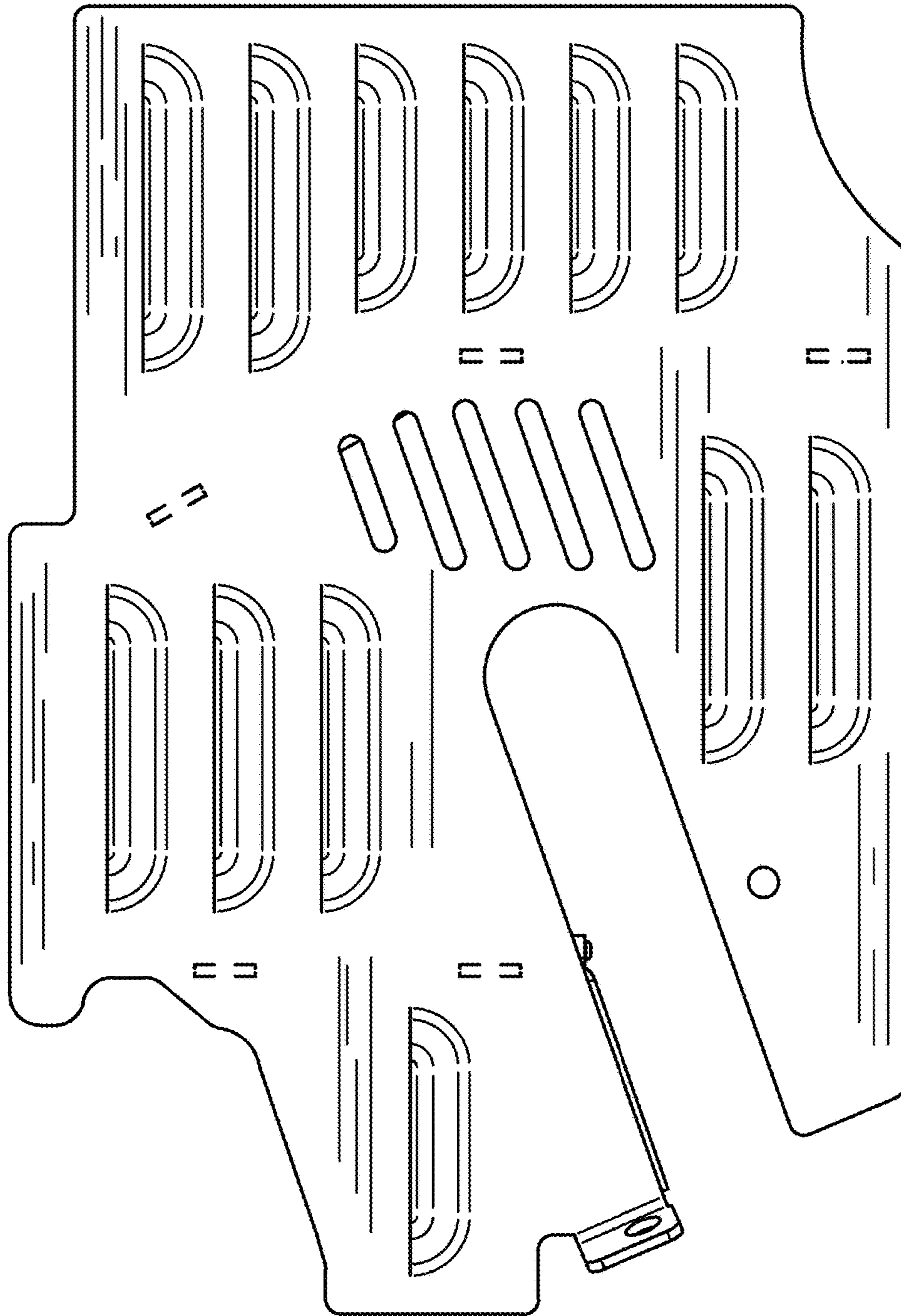


Fig. 8