



US00D823203S

(12) **United States Design Patent**  
**Zhou et al.**

(10) **Patent No.:** **US D823,203 S**  
(45) **Date of Patent:** **\*\* Jul. 17, 2018**

- (54) **REARVIEW MIRROR DRIVER**
- (71) Applicant: **Ningbo Jingcheng Car Industry Co, Ltd, Ningbo, Zhejiang (CN)**
- (72) Inventors: **Bo Zhou, Ningbo (CN); Yangwen Zhu, Ningbo (CN)**
- (73) Assignee: **Ningbo Jingcheng Car Industry Co, Ltd, Ningbo (CN)**

D765,570 S \* 9/2016 Vivier ..... D12/187  
 D782,948 S \* 4/2017 Wu ..... D12/187  
 2011/0058269 A1\* 3/2011 Su ..... A45D 42/00  
 359/882

\* cited by examiner

*Primary Examiner* — Katrina A Betton  
 (74) *Attorney, Agent, or Firm* — Loza & Loza, LLP;  
 Heidi Eisenhut

(\*\*) Term: **15 Years**

(57) **CLAIM**

(21) Appl. No.: **29/571,981**

The ornamental design for a rearview mirror driver, as shown and described.

(22) Filed: **Jul. 22, 2016**

(51) **LOC (11) Cl.** ..... **12-16**

**DESCRIPTION**

(52) **U.S. Cl.**  
USPC ..... **D12/187**

(58) **Field of Classification Search**  
USPC ..... D12/187, 188, 189; D6/309  
CPC ..... B60R 1/076; G02B 7/182; G02B 5/08;  
G02B 7/18

See application file for complete search history.

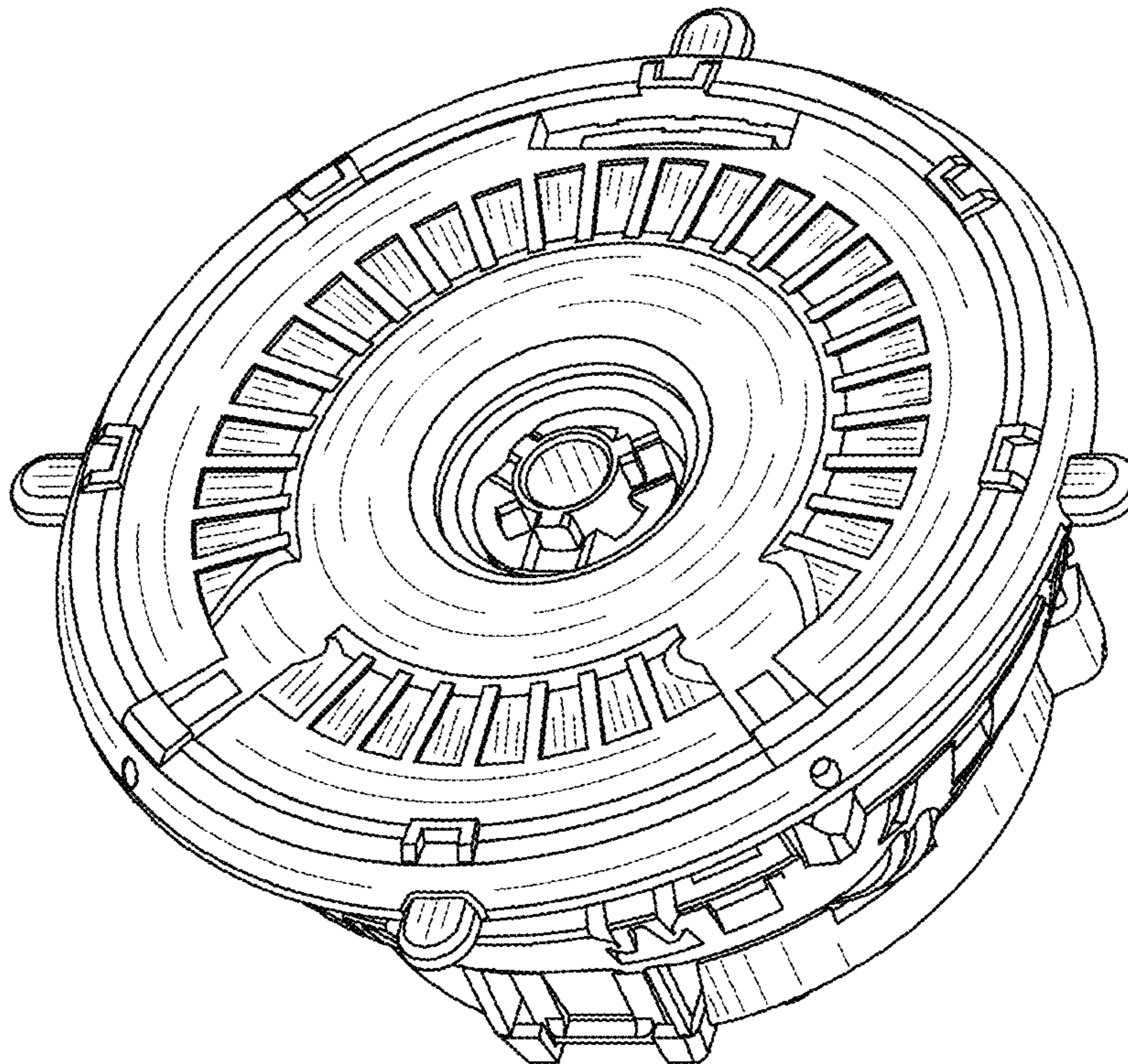
FIG. 1 is a left side view of a rearview mirror driver, according to the present invention;  
 FIG. 2 is a perspective view of the rearview mirror driver of FIG. 1;  
 FIG. 3 is a rear view of the rearview mirror driver of FIG. 1;  
 FIG. 4 is a right side view of the rearview mirror driver of FIG. 1;  
 FIG. 5 is a top view of the rearview mirror driver of FIG. 1;  
 FIG. 6 is a bottom side view of the rearview mirror driver of FIG. 1; and,  
 FIG. 7 is a front view of the rearview mirror driver of FIG. 1.

(56) **References Cited**

**U.S. PATENT DOCUMENTS**

D716,208 S \* 10/2014 Rigolio ..... D12/187  
 D717,705 S \* 11/2014 Petroff ..... D12/187  
 D723,439 S \* 3/2015 Milbank ..... D12/187  
 D747,390 S \* 1/2016 Roth ..... D16/218  
 D763,755 S \* 8/2016 Su ..... D12/187

**1 Claim, 7 Drawing Sheets**



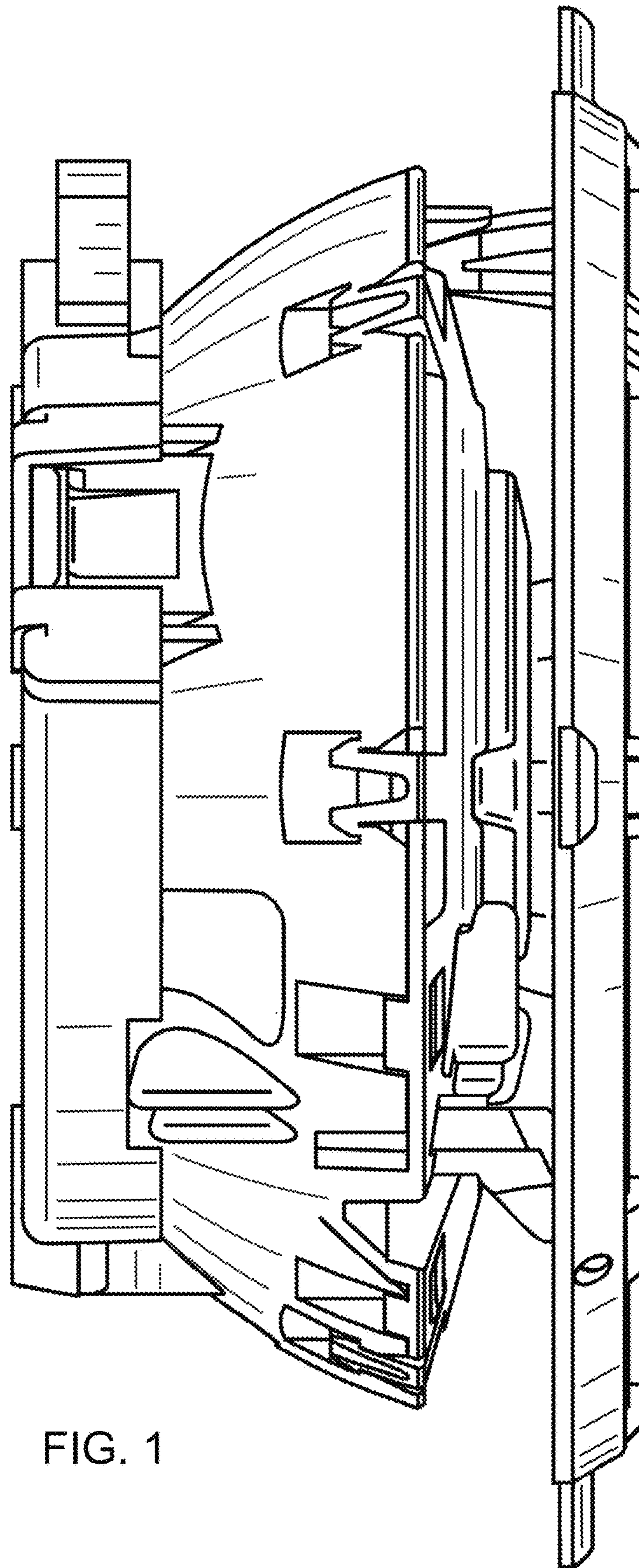


FIG. 1



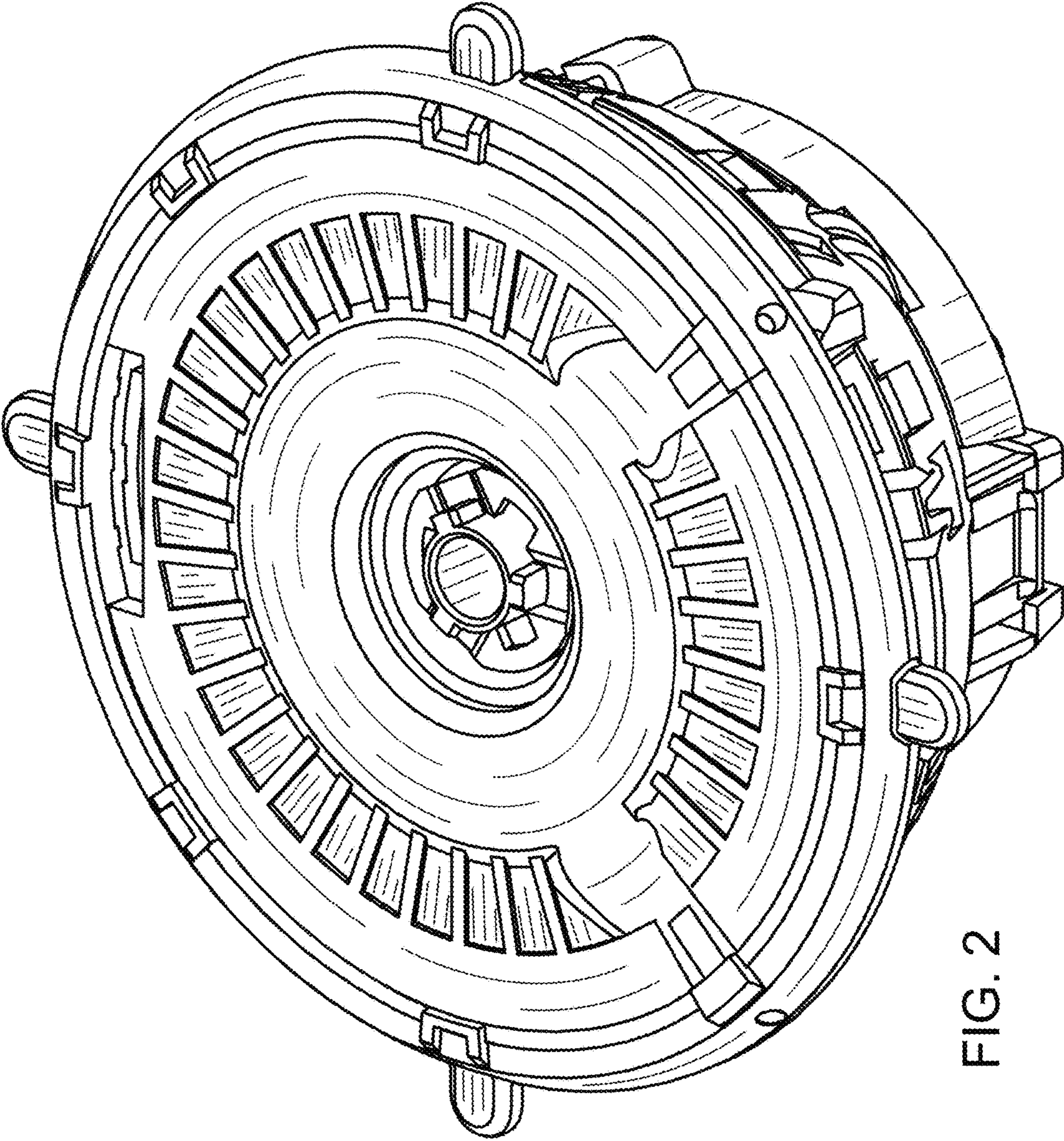


FIG. 2

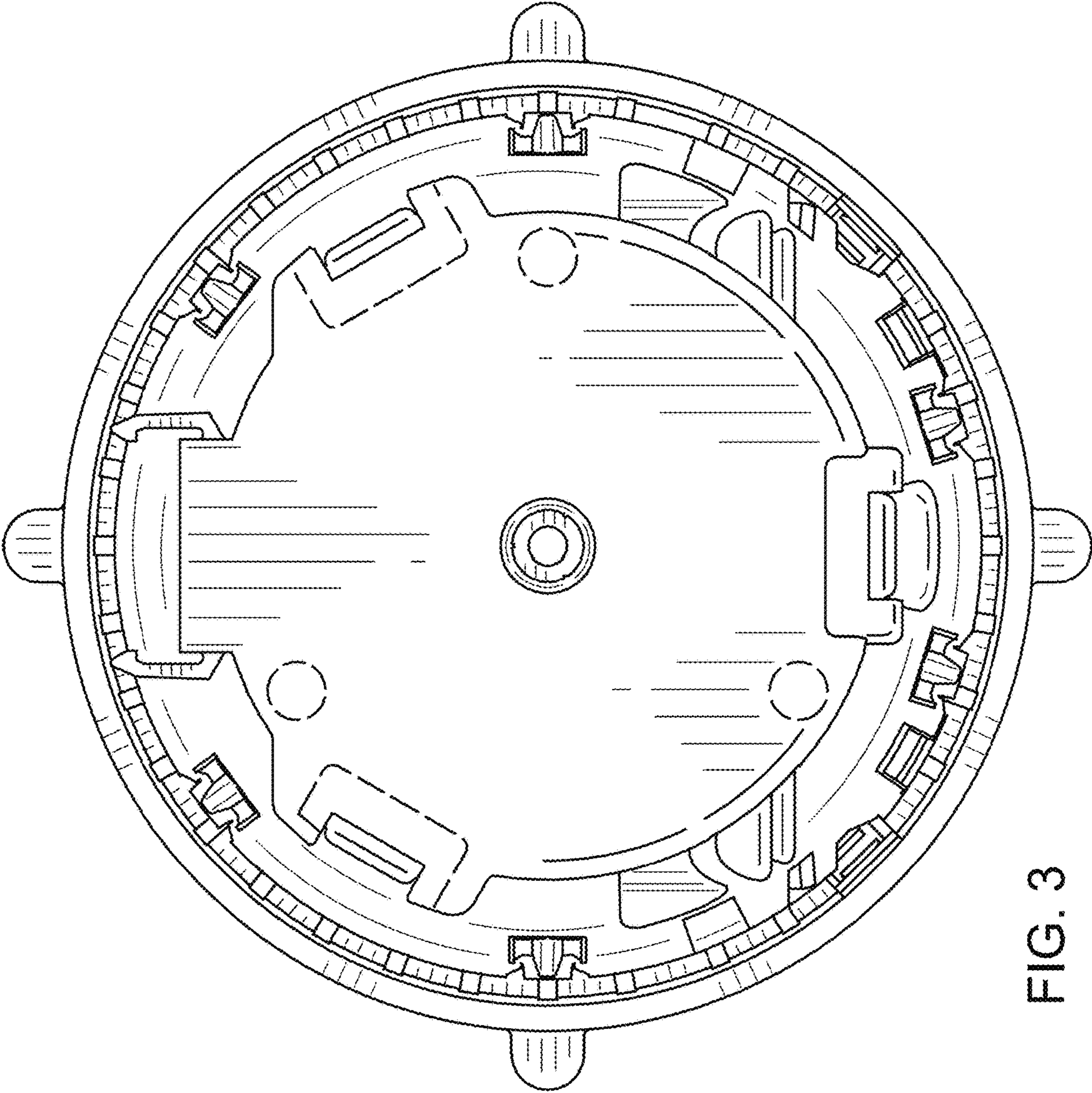


FIG. 3



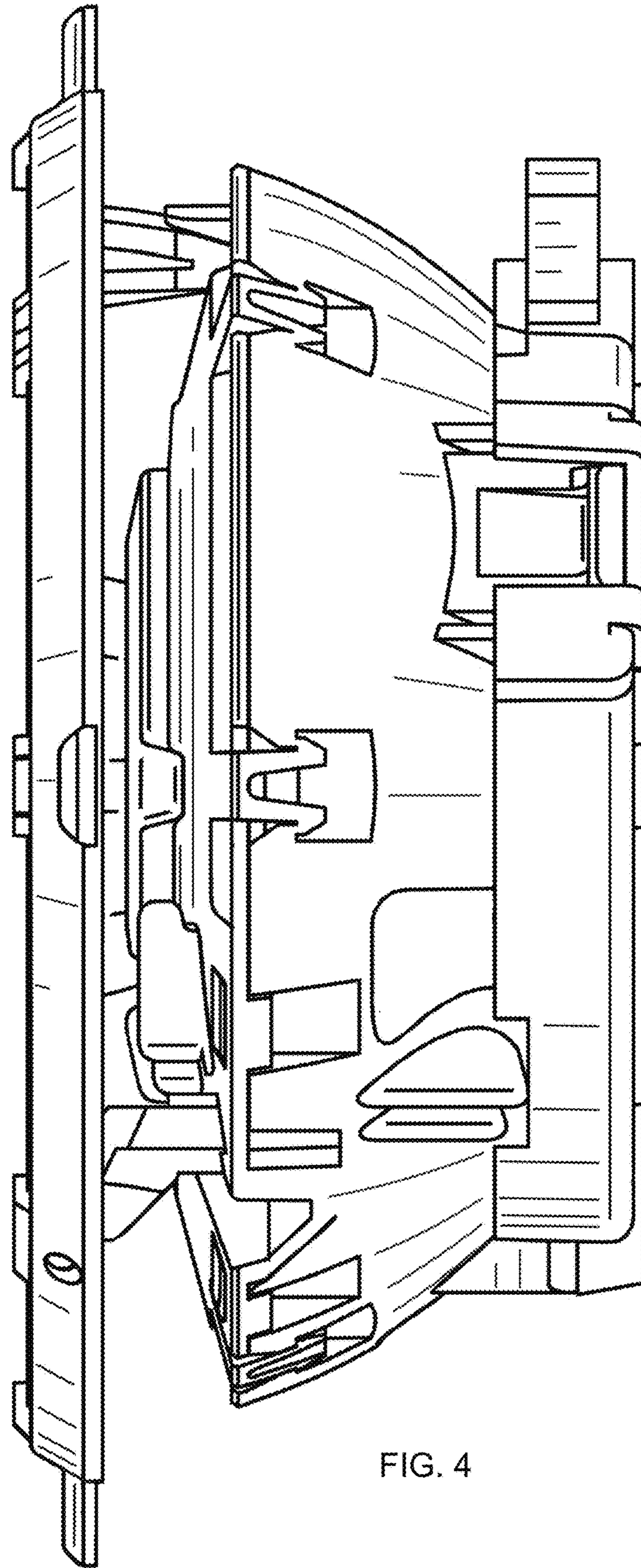


FIG. 4

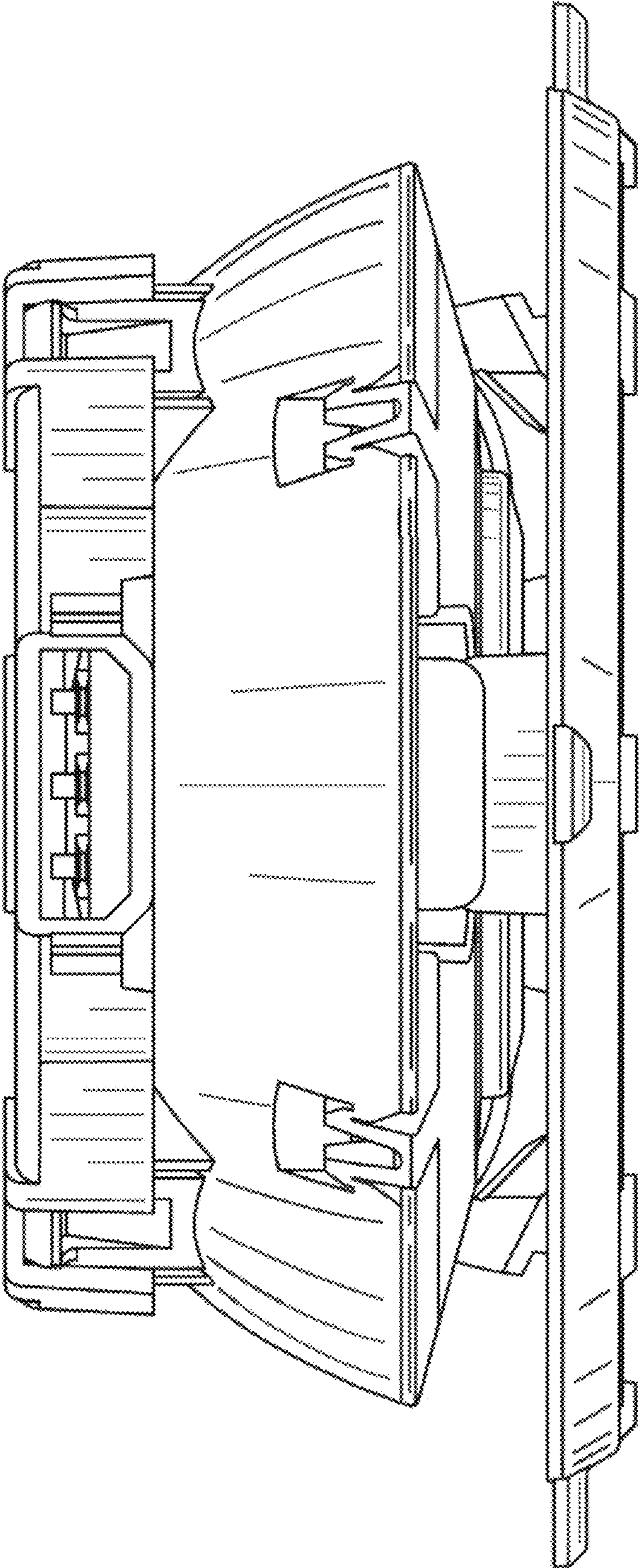


FIG. 5



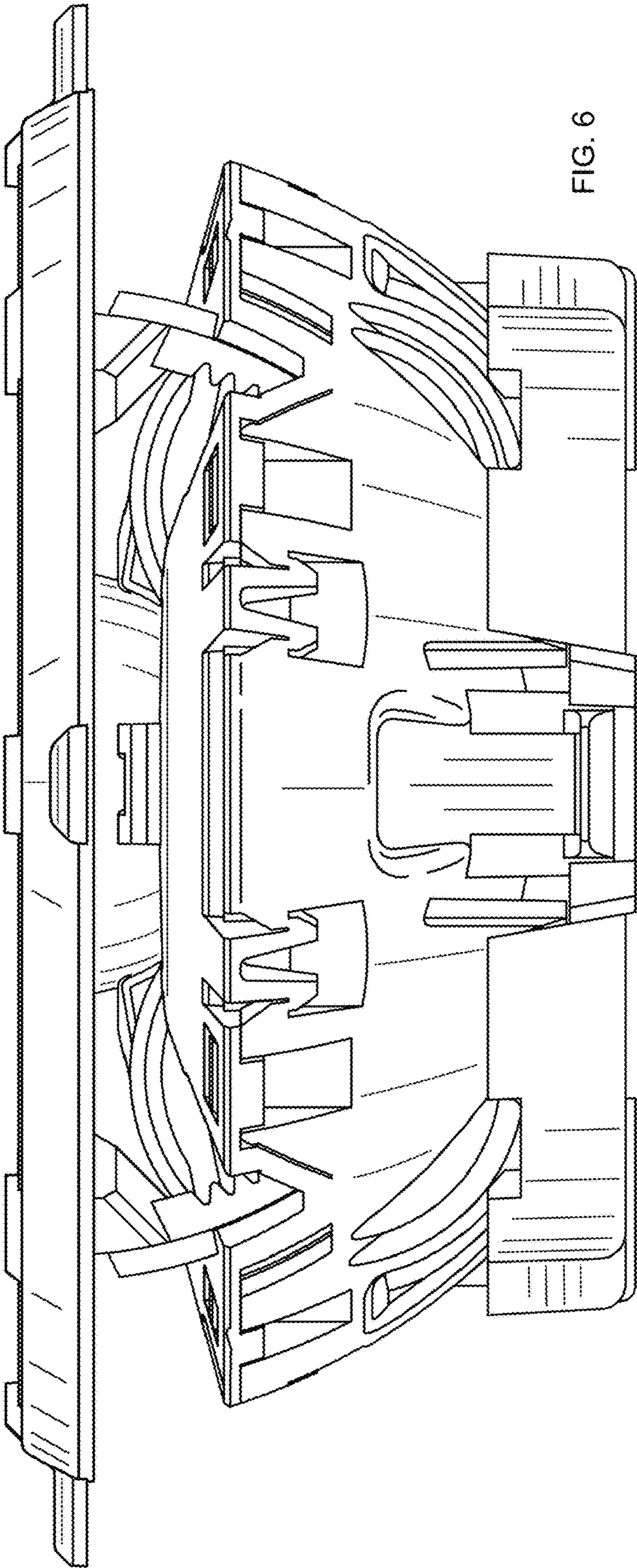


FIG. 6

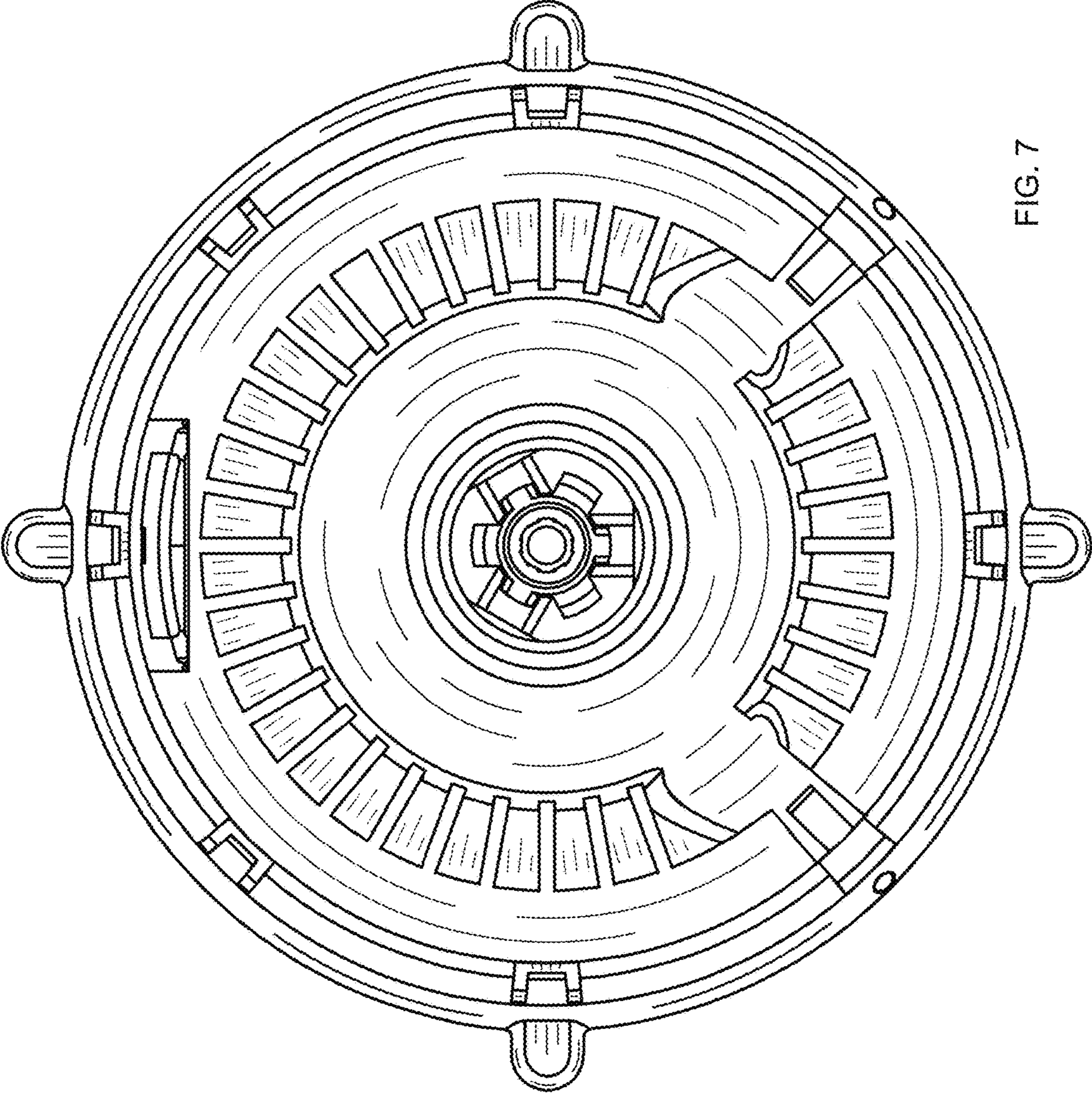


FIG. 7