



US00D823202S

(12) **United States Design Patent**
Zhou et al.

(10) **Patent No.:** **US D823,202 S**
(45) **Date of Patent:** **** Jul. 17, 2018**

- (54) **REARVIEW MIRROR DRIVER**
- (71) Applicant: **Ningbo Jingcheng Car Industry Co, Ltd, Ningbo, Zhejiang (CN)**
- (72) Inventors: **Bo Zhou, Ningbo (CN); Haijun Huang, Ningbo (CN)**
- (73) Assignee: **Ningbo Jingcheng Car Industry Co, Ltd, Ningbo (CN)**
- (**) Term: **15 Years**
- (21) Appl. No.: **29/569,869**
- (22) Filed: **Jun. 30, 2016**
- (51) **LOC (11) Cl.** **12-16**
- (52) **U.S. Cl.**
USPC **D12/187**
- (58) **Field of Classification Search**
USPC D12/187, 188, 189; D6/309
CPC B60R 1/076; G02B 7/182; G02B 5/08;
G02B 7/18
See application file for complete search history.

D723,439 S *	3/2015	Milbank	D12/187
D747,390 S *	1/2016	Roth	D16/218
D763,755 S *	8/2016	Su	D12/187
D765,570 S *	9/2016	Vivier	D12/187
D782,948 S *	4/2017	Wu	D12/187
2011/0058269 A1*	3/2011	Su	A45D 42/00 359/882

* cited by examiner

Primary Examiner — Katrina A Betton

(74) *Attorney, Agent, or Firm* — Loza & Loza, LLP;
Heidi Eisenhut

(57) **CLAIM**

The ornamental design for a rearview mirror driver, as shown and described.

DESCRIPTION

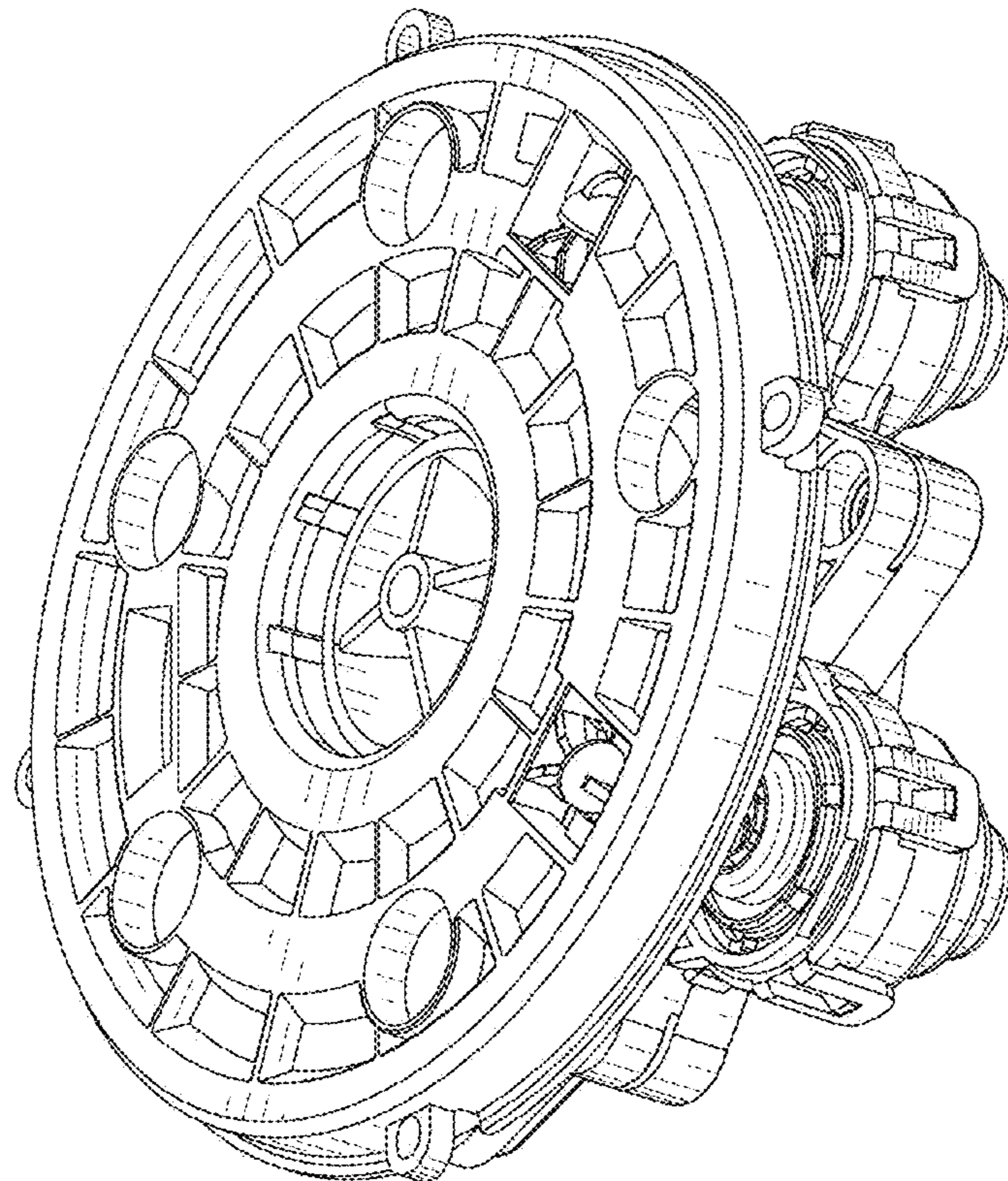
FIG. 1 is a bottom view of a rearview mirror driver, according to the present invention.
 FIG. 2 is front view of the rearview mirror driver of FIG. 1;
 FIG. 3 is a left side view of the rearview mirror driver of FIG. 1;
 FIG. 4 is a perspective view of the rearview mirror driver of FIG. 1;
 FIG. 5 is a rear view of the rearview mirror driver of FIG. 1;
 FIG. 6 is a right side view of the rearview mirror driver of FIG. 1; and,
 FIG. 7 is a top view of the rearview mirror driver of FIG. 1.

1 Claim, 7 Drawing Sheets

(56) **References Cited**

U.S. PATENT DOCUMENTS

D716,208 S *	10/2014	Rigolio	D12/187
D717,705 S *	11/2014	Petroff	D12/187



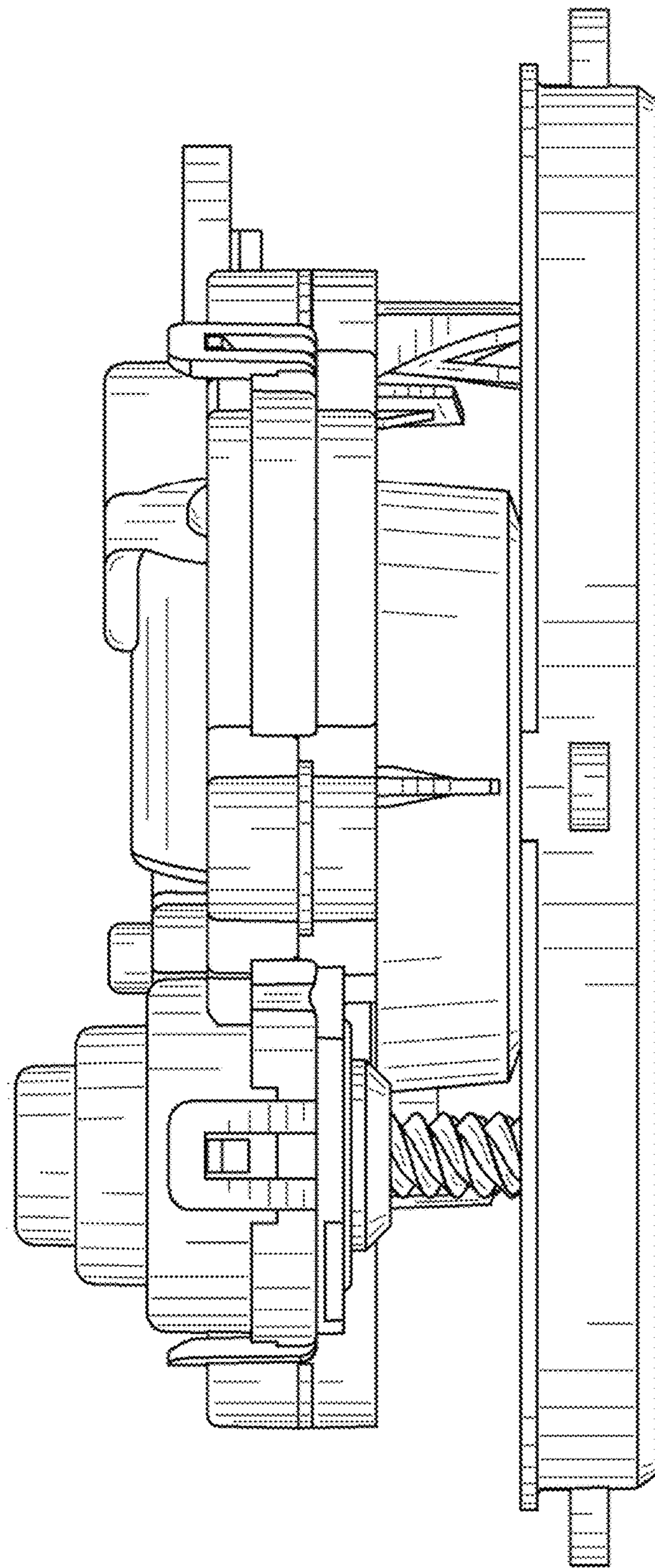


FIG. 1

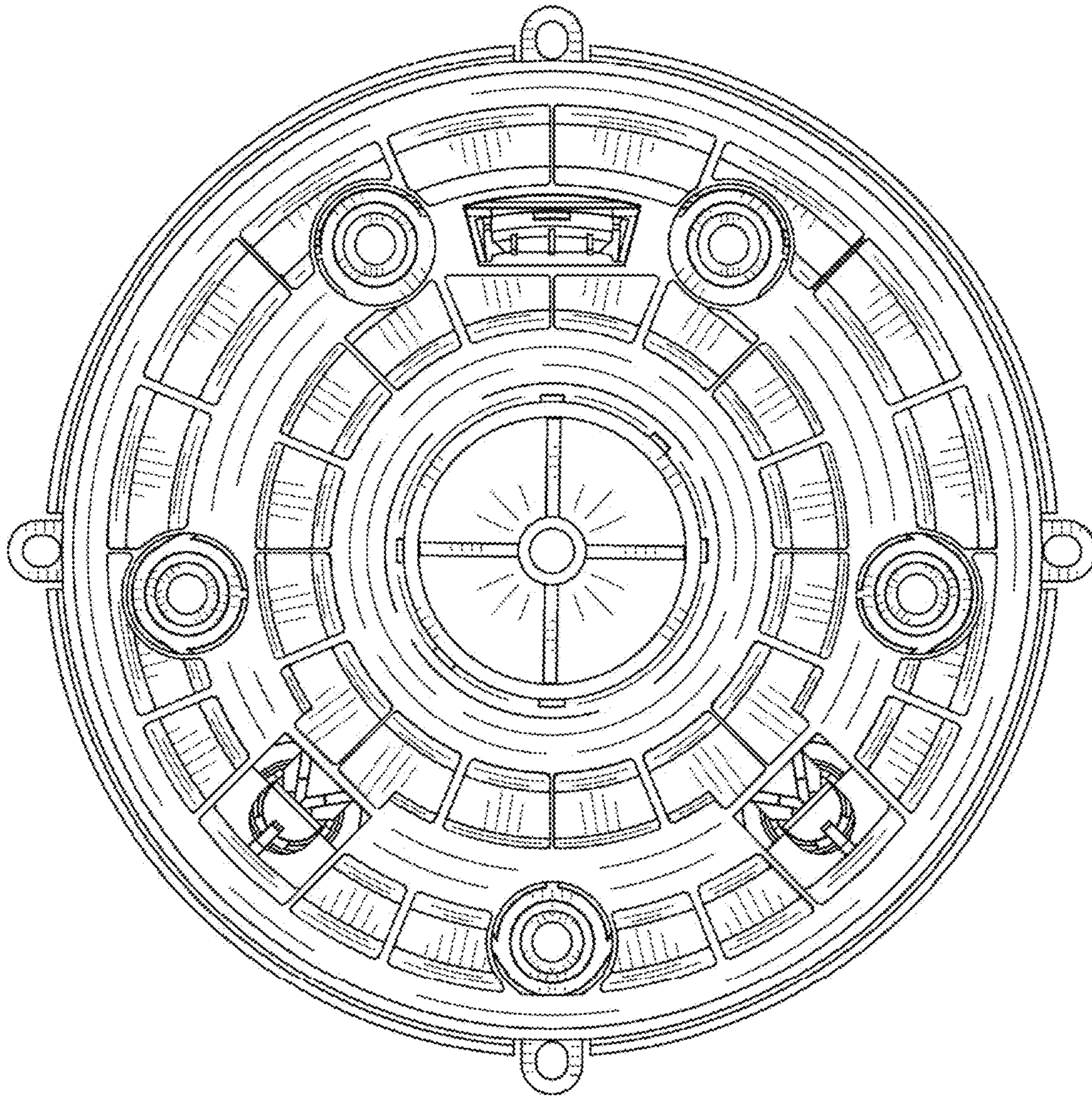


FIG. 2

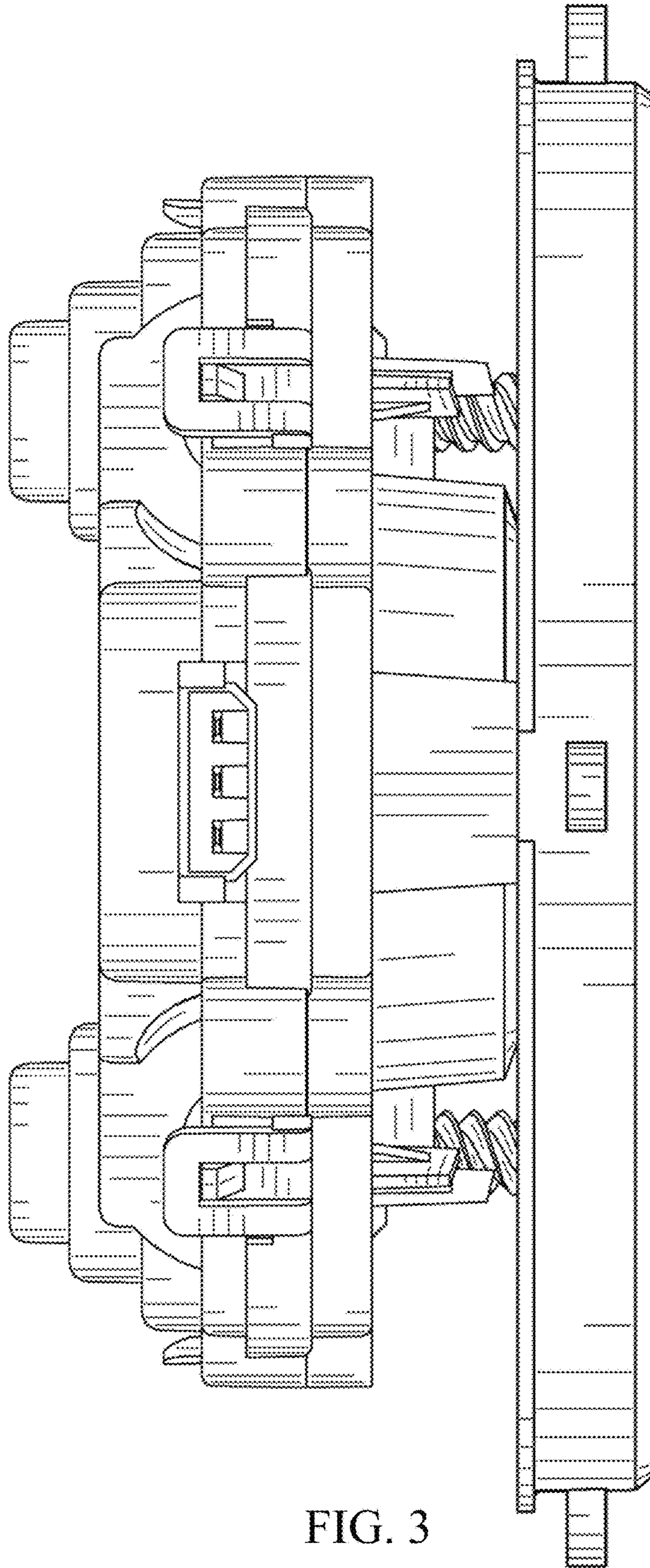


FIG. 3

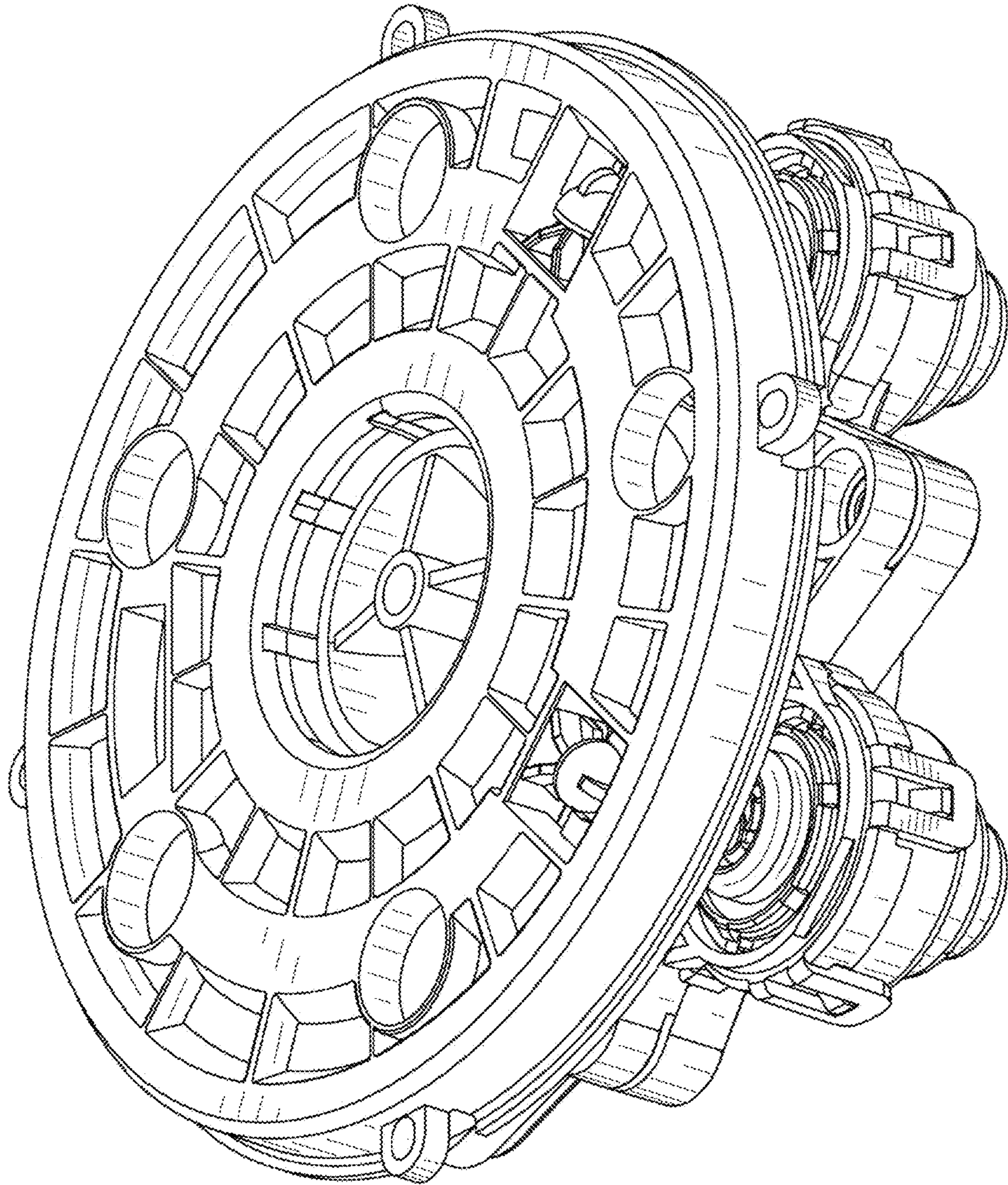


FIG. 4

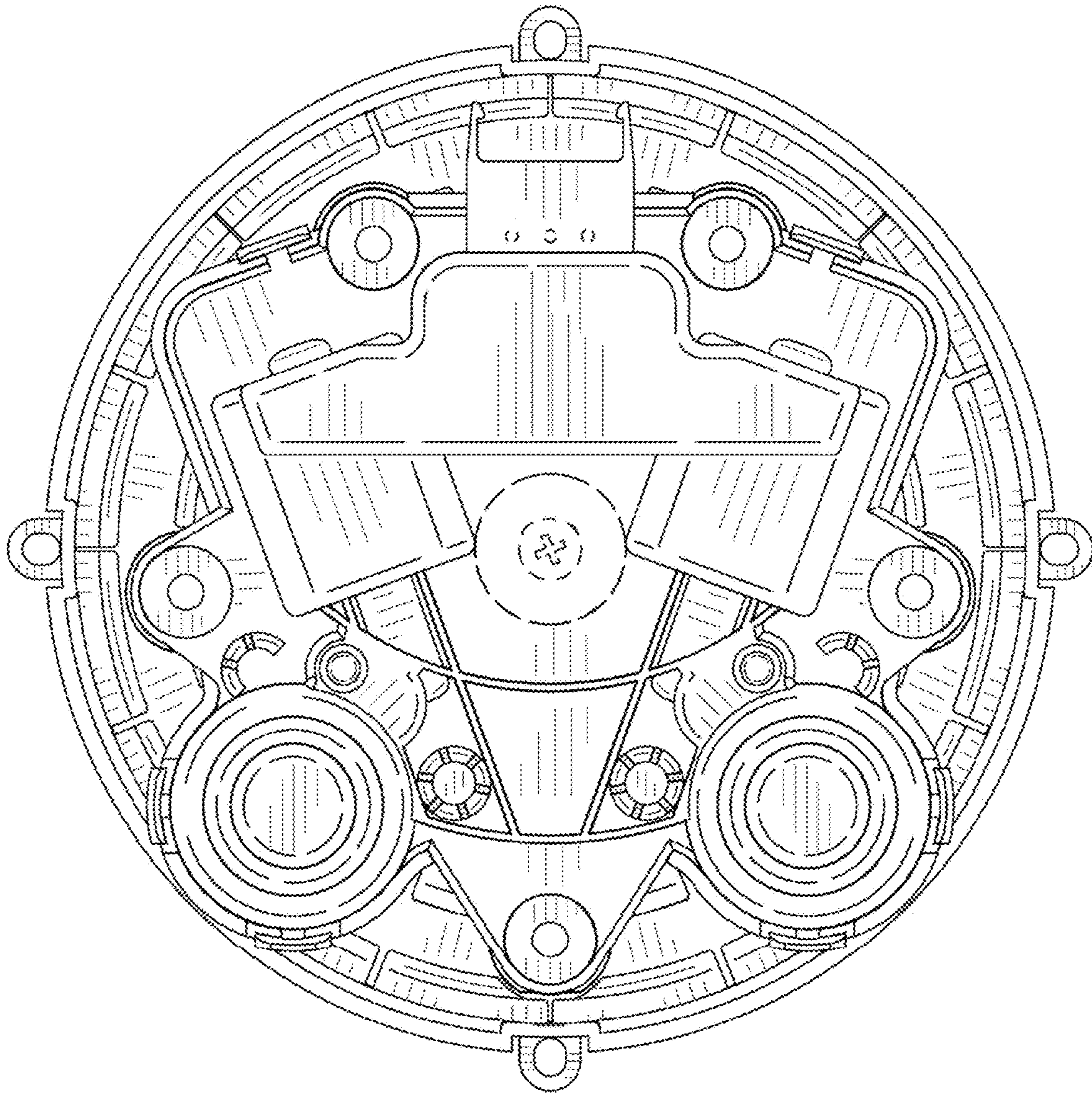


FIG. 5

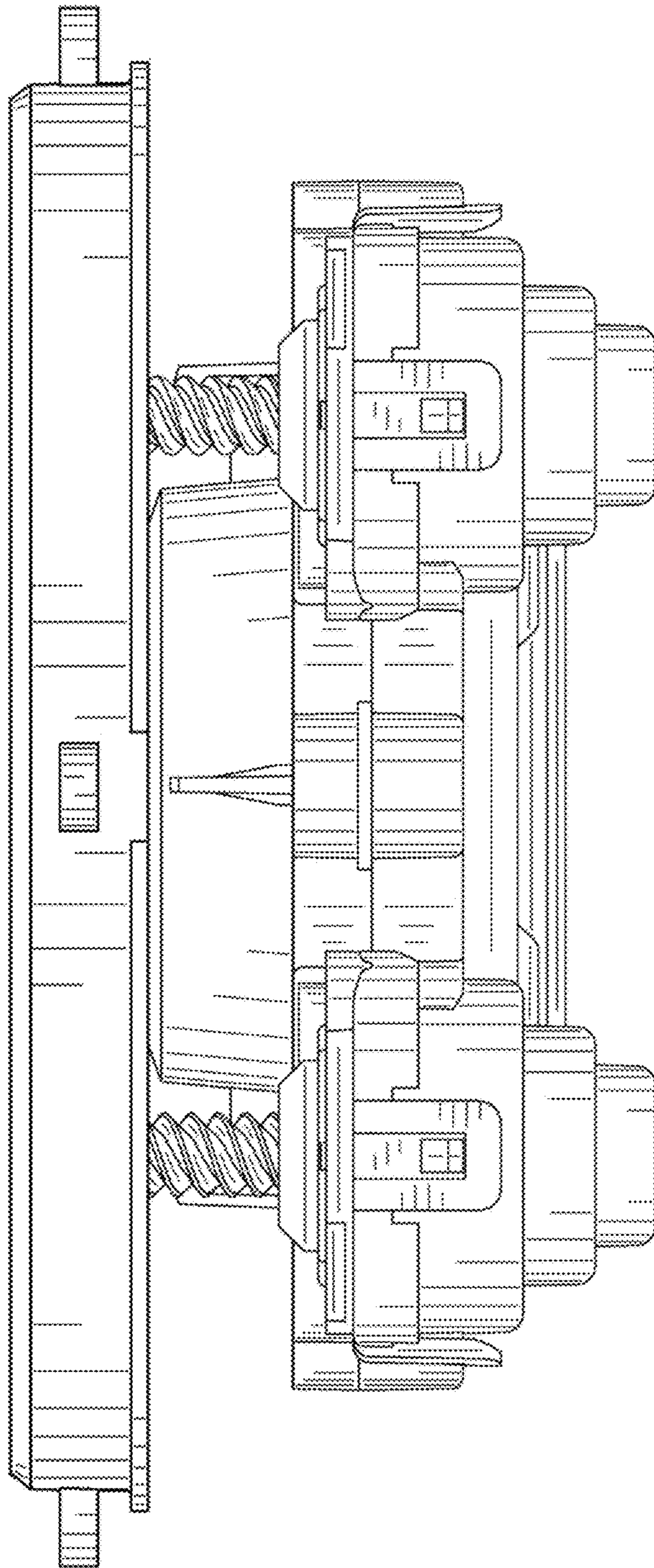


FIG. 6

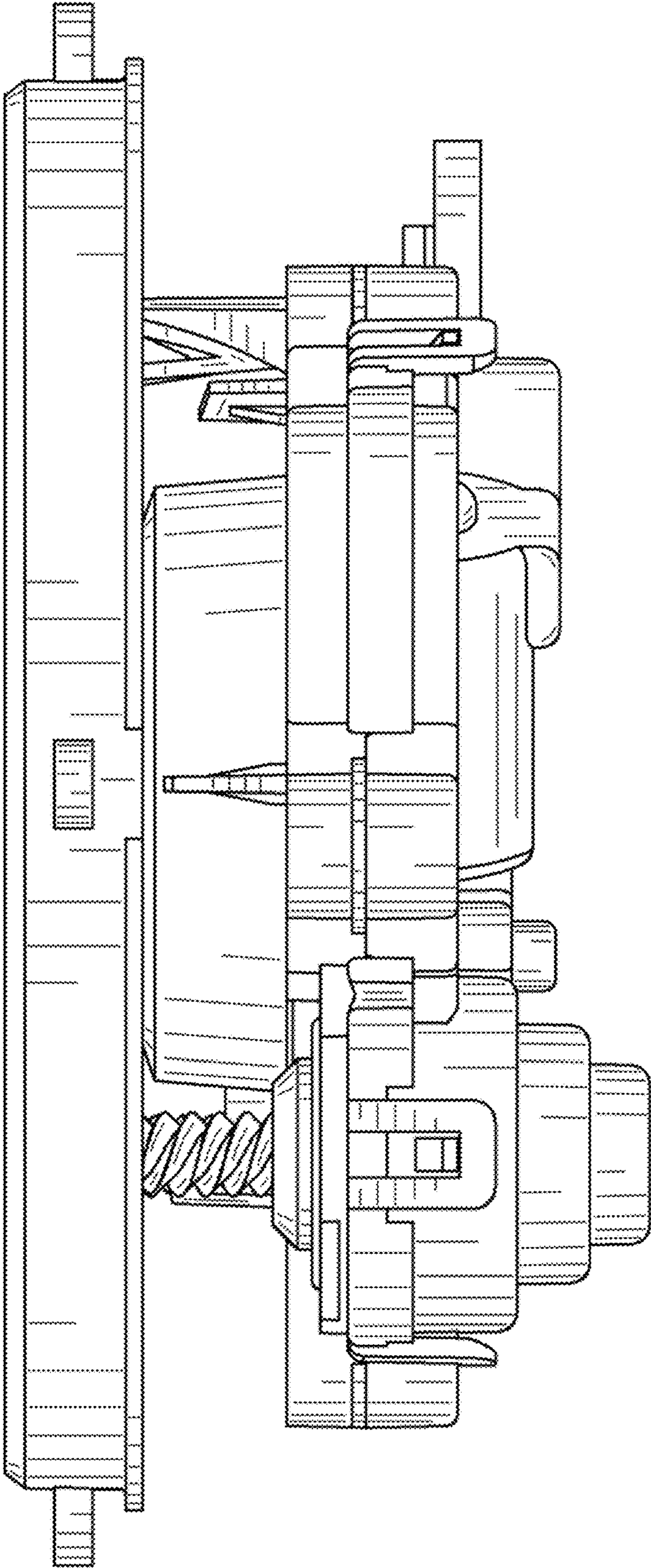


FIG. 7