



US00D823200S

(12) **United States Design Patent**  
**Kinkley**

(10) **Patent No.:** **US D823,200 S**  
(45) **Date of Patent:** **\*\* Jul. 17, 2018**

- (54) **VEHICLE BRAKE ROTOR**
- (71) Applicant: **BRAKE PARTS INC. LLC**, McHenry, IL (US)
- (72) Inventor: **Nathaniel Kinkley**, McHenry, IL (US)
- (73) Assignee: **Brake Parts Inc LLC**, McHenry, IL (US)
- (\*\*) Term: **15 Years**
- (21) Appl. No.: **29/567,670**
- (22) Filed: **Jun. 10, 2016**
- (51) **LOC (11) Cl.** ..... **12-16**
- (52) **U.S. Cl.**  
USPC ..... **D12/180**
- (58) **Field of Classification Search**  
USPC ..... D12/160, 180  
CPC ..... F16D 65/128; F16D 65/12; F16D 65/123;  
F16D 65/127; F16D 2065/1328  
See application file for complete search history.

9,206,868	B2 *	12/2015	Veneziano	.....	F16D 65/12
9,309,939	B2 *	4/2016	Hentrich	.....	F16D 65/123
9,732,811	B2 *	8/2017	Im	.....	F16D 65/128
2004/0084261	A1 *	5/2004	Burgoon	.....	F16D 65/0006 188/218 XL
2006/0076200	A1 *	4/2006	Dessouki	.....	F16D 65/0018 188/218 XL

**FOREIGN PATENT DOCUMENTS**

EP 0670434 A1 \* 6/1995 ..... F16D 65/12

\* cited by examiner

*Primary Examiner* — Robert M. Spear

(74) *Attorney, Agent, or Firm* — Winston & Strawn LLP

(57) **CLAIM**

The ornamental design for a vehicle brake rotor, as shown and described.

**DESCRIPTION**

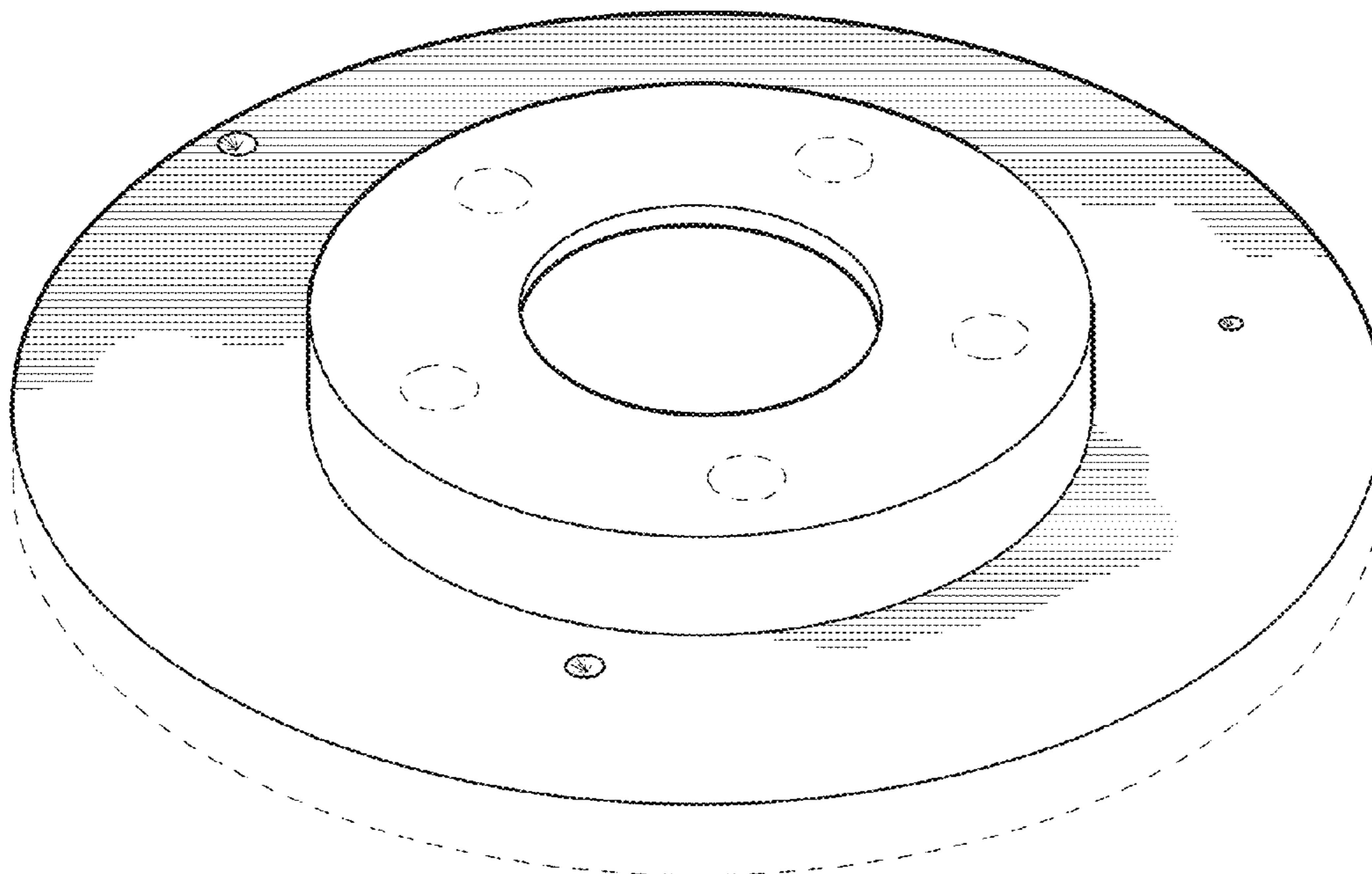
FIG. 1 is a perspective view of the vehicle brake rotor of the present invention illustrating my new design; FIG. 2 is a front view of the vehicle brake rotor of FIG. 1; and, FIG. 3 is a side view of the vehicle brake rotor of FIG. 1. The dashed lines depict items that do not form part of the new design. In particular, the design of the side and back of the vehicle brake rotor do not form part of the design claim and are conventional in appearance.

**1 Claim, 3 Drawing Sheets**

(56) **References Cited**

**U.S. PATENT DOCUMENTS**

D446,756	S *	8/2001	York	.....	D12/180
6,279,698	B1	8/2001	Oberti		
6,457,566	B1	10/2002	Toby		
7,938,378	B2 *	5/2011	Hanna	.....	F16D 65/0006 248/560
8,714,232	B2 *	5/2014	Hanna	.....	B22C 21/14 164/112



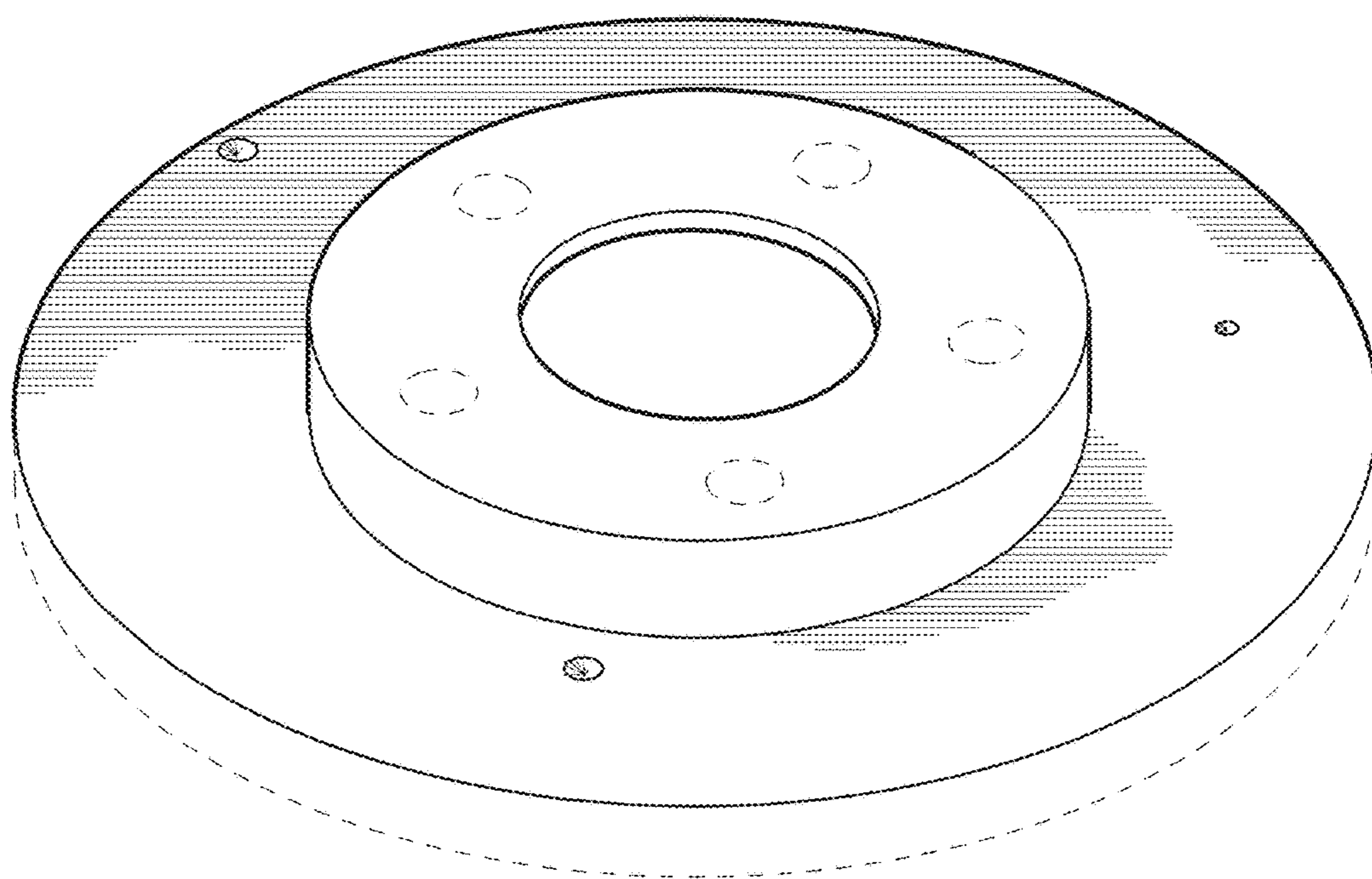


FIG. 1

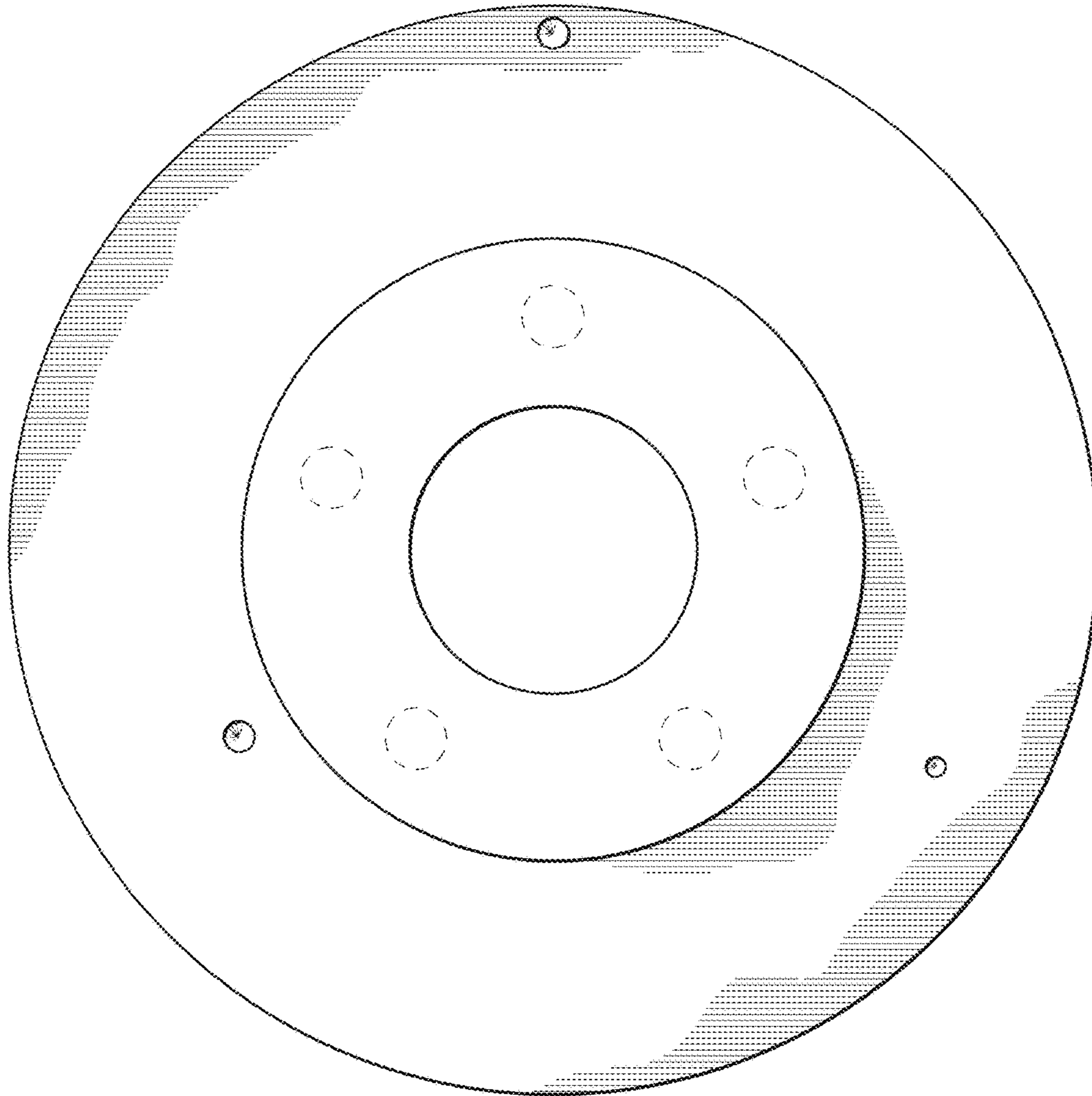


FIG. 2

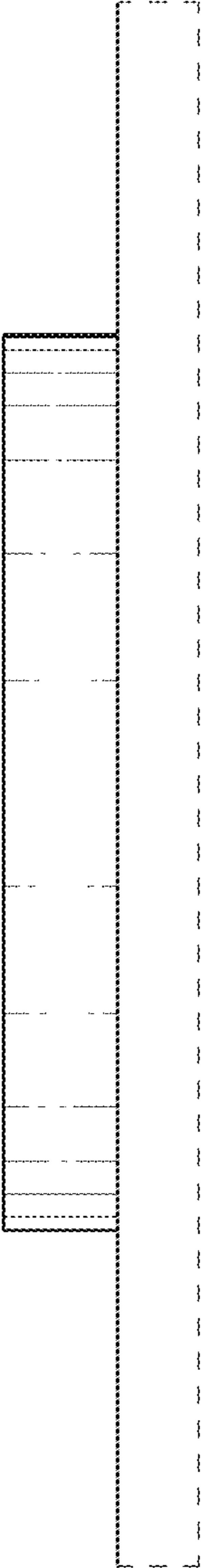


FIG. 3