



US00D823194S

(12) **United States Design Patent**
Gueler et al.

(10) **Patent No.:** **US D823,194 S**
(45) **Date of Patent:** **** Jul. 17, 2018**

(54) **VEHICLE REAR UPPER BUMPER COVER**

(71) Applicant: **Ford Global Technologies, LLC**,
Dearborn, MI (US)
(72) Inventors: **Murat Gueler**, Cologne (DE); **Thomas Morel**, Dusseldorf (DE); **Jonathan Szczupak**, Troy, MI (US); **George Saridakis**, Edinburgh (GB); **Joel Piaskowski**, Dusseldorf (DE)
(73) Assignee: **Ford Global Technologies, LLC**,
Dearborn, MI (US)

D598,340 S 8/2009 George
D619,059 S 7/2010 George
D671,054 S * 11/2012 Yamada D12/169
D682,167 S * 5/2013 Minami D12/169
D692,809 S * 11/2013 Uchino D12/169
D698,709 S 2/2014 Rupar
D698,711 S * 2/2014 Endo D12/169
D700,115 S * 2/2014 Okumoto D12/169
D702,160 S * 4/2014 Miyazawa D12/169
D717,220 S * 11/2014 Murakawa D12/169
D721,022 S * 1/2015 Hanaoka D12/169
D784,867 S * 4/2017 Sahara D12/169
D807,801 S * 1/2018 Piscitelli D12/169
D813,111 S * 3/2018 Sullivan D12/169

(**) Term: **15 Years**

(21) Appl. No.: **29/604,383**

(22) Filed: **May 17, 2017**

(30) **Foreign Application Priority Data**

Nov. 22, 2016 (DE) 40 2016 101 401

(51) **LOC (11) Cl.** **12-16**

(52) **U.S. Cl.**
USPC **D12/169**

(58) **Field of Classification Search**
USPC D12/169, 216, 90-92, 86, 171, 196, 163;
293/102, 113, 115, 117, 120; 296/180.1,
296/180.2
CPC B60R 19/02; B60R 19/04; B62D 25/08
See application file for complete search history.

(56) **References Cited**

U.S. PATENT DOCUMENTS

D580,321 S 11/2008 Lamm
D592,570 S 5/2009 Lamm

* cited by examiner

Primary Examiner — Melody N Brown

(74) *Attorney, Agent, or Firm* — James Dottavio

(57) **CLAIM**

The ornamental design for a vehicle rear upper bumper cover, as shown and described.

DESCRIPTION

FIG. 1 is a top, front and left side perspective view of a vehicle rear upper bumper cover showing our new design; FIG. 2 is a bottom, front and left side perspective view thereof; FIG. 3 is a top, rear and left side perspective view thereof; FIG. 4 is a front elevational view thereof; FIG. 5 is a rear elevational view thereof; FIG. 6 is a left side elevational view thereof; FIG. 7 is a right side elevational view thereof; FIG. 8 is a top plan view thereof; and, FIG. 9 is a bottom plan view thereof.

1 Claim, 9 Drawing Sheets

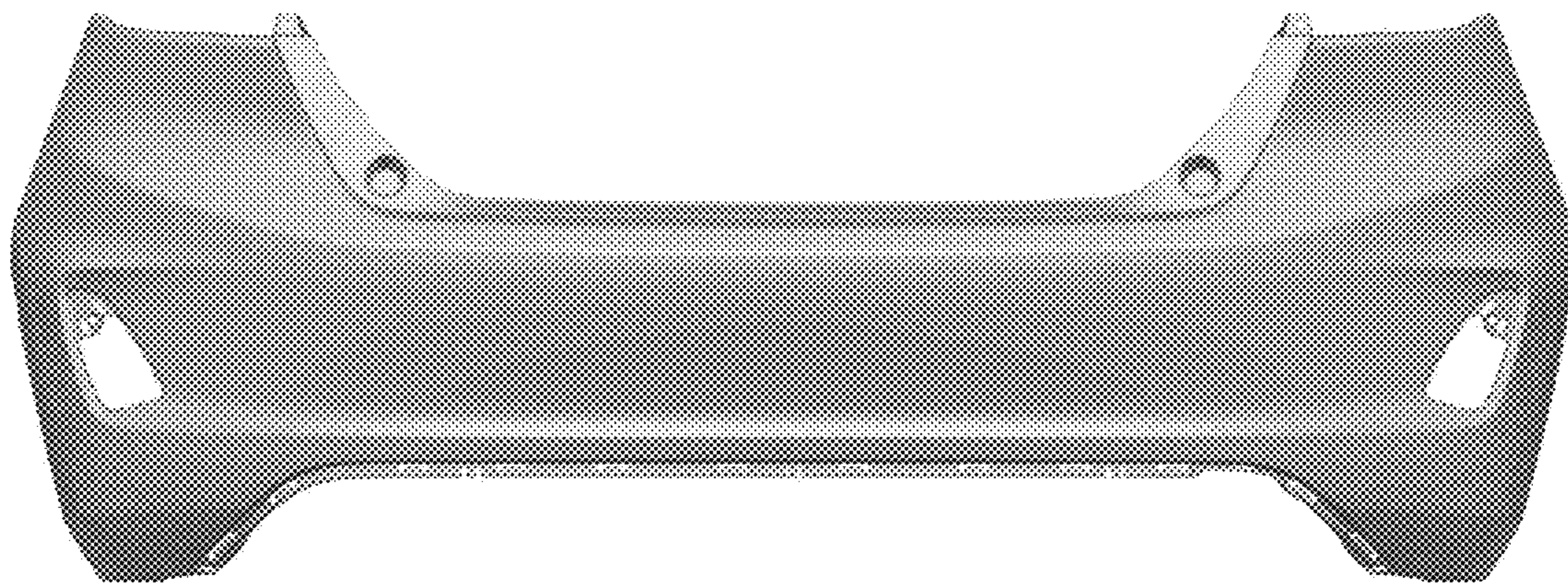




Figure 1

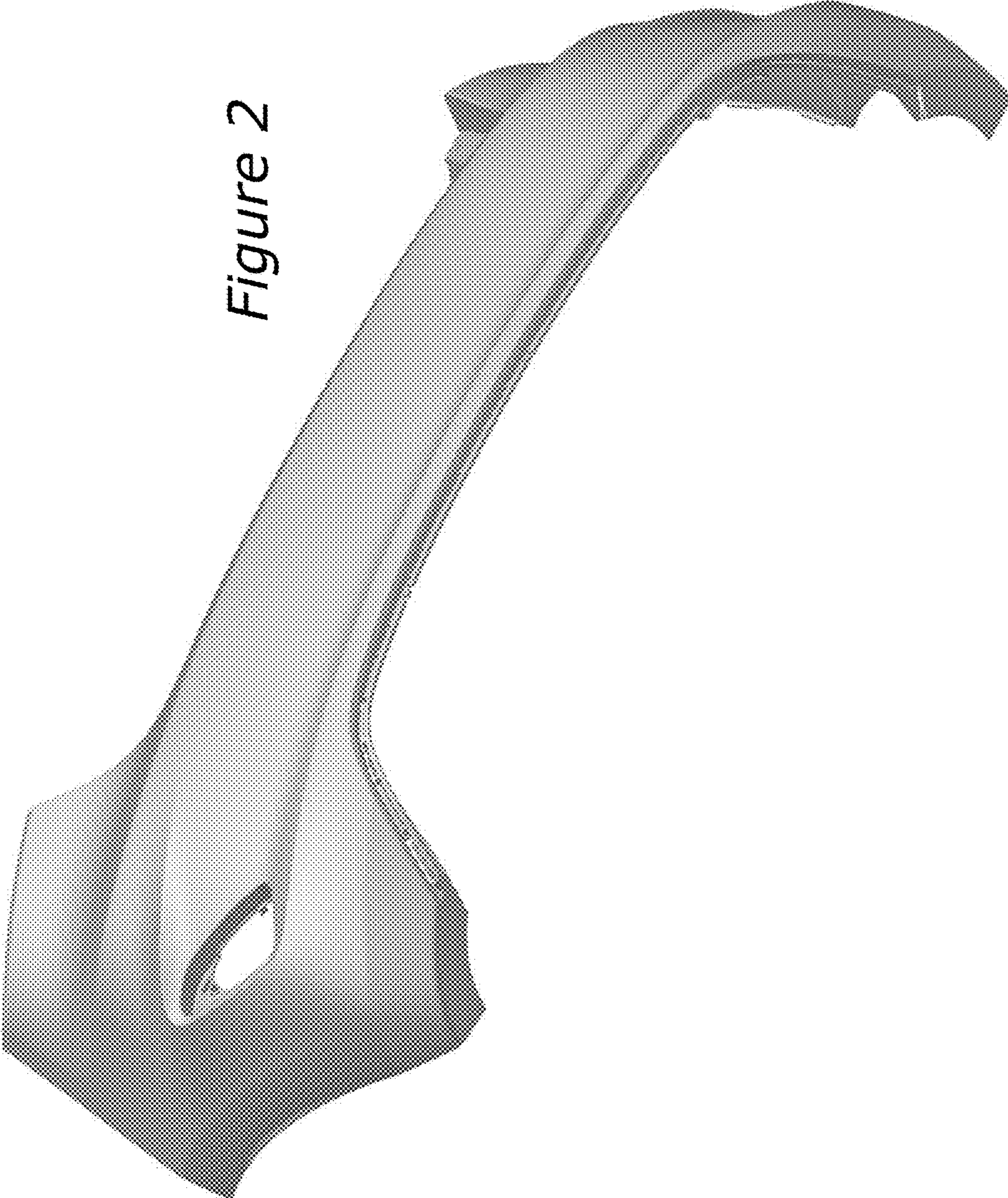


Figure 2

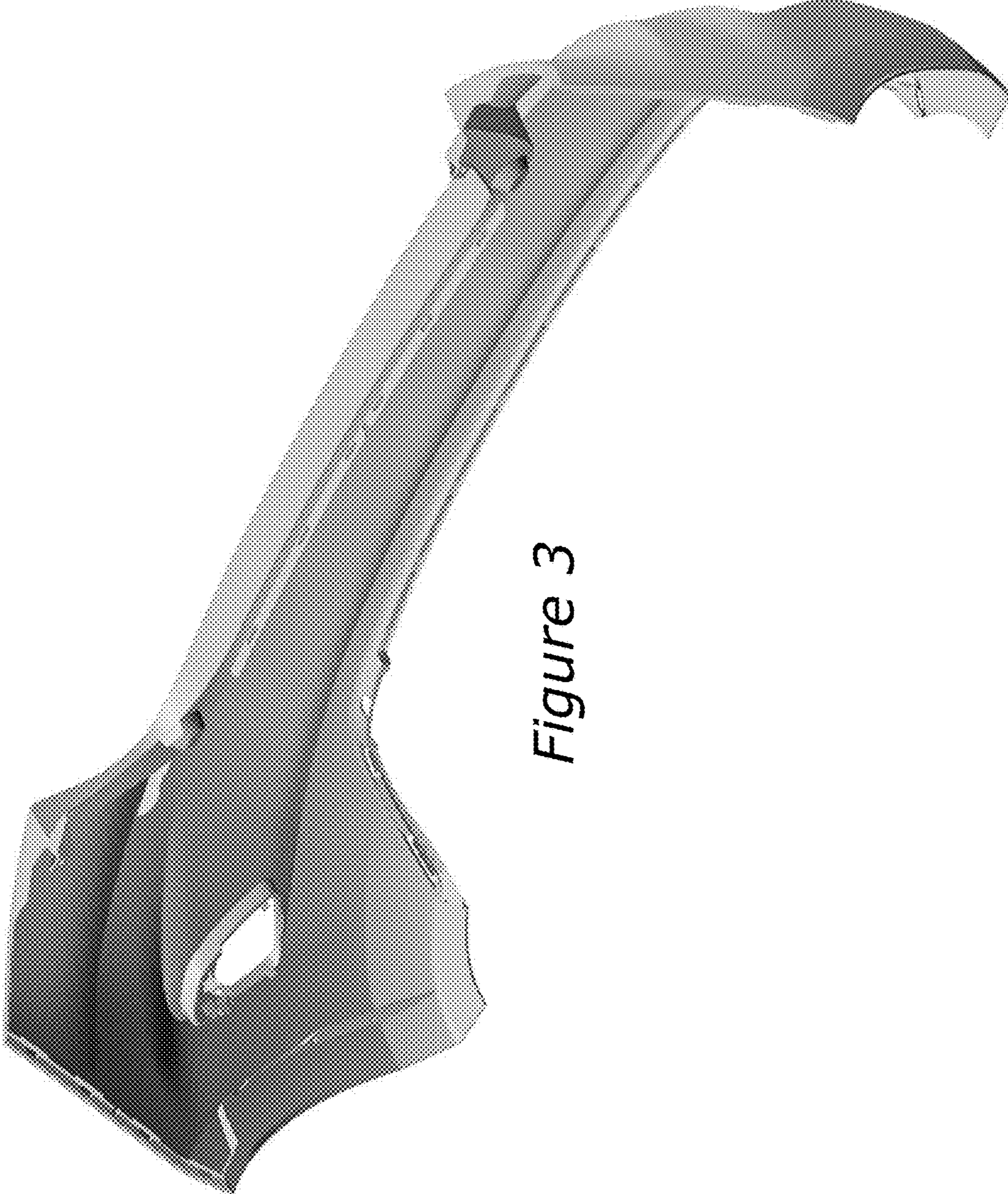


Figure 3

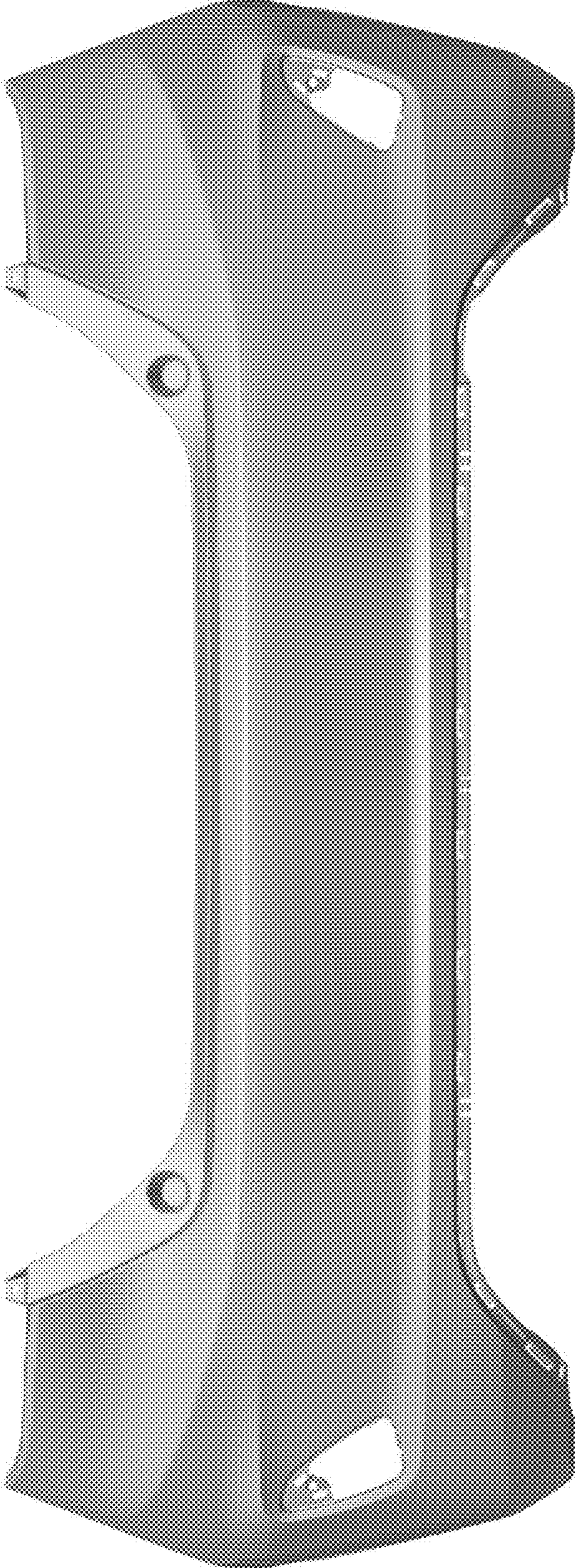


Figure 4



Figure 5

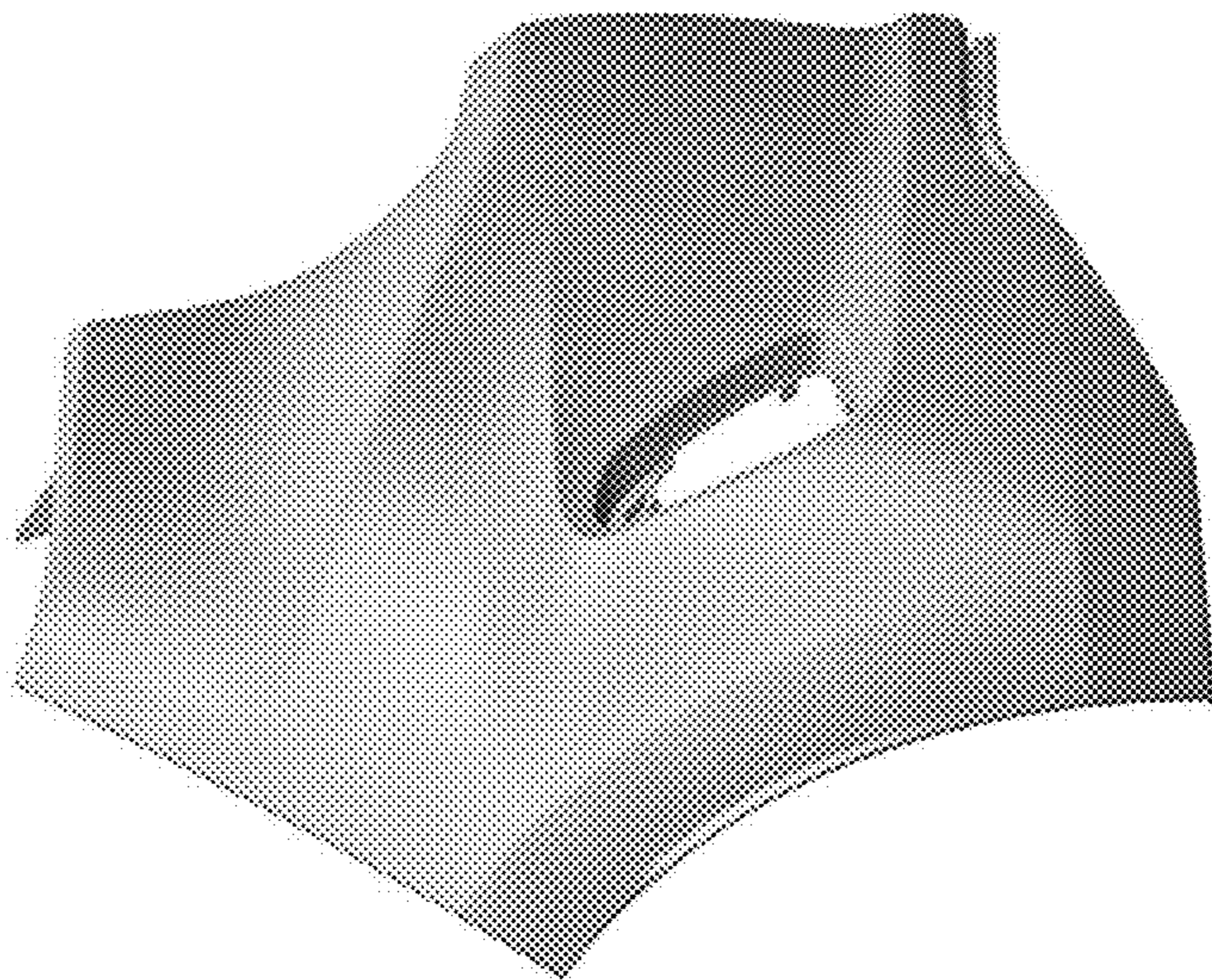


Figure 6

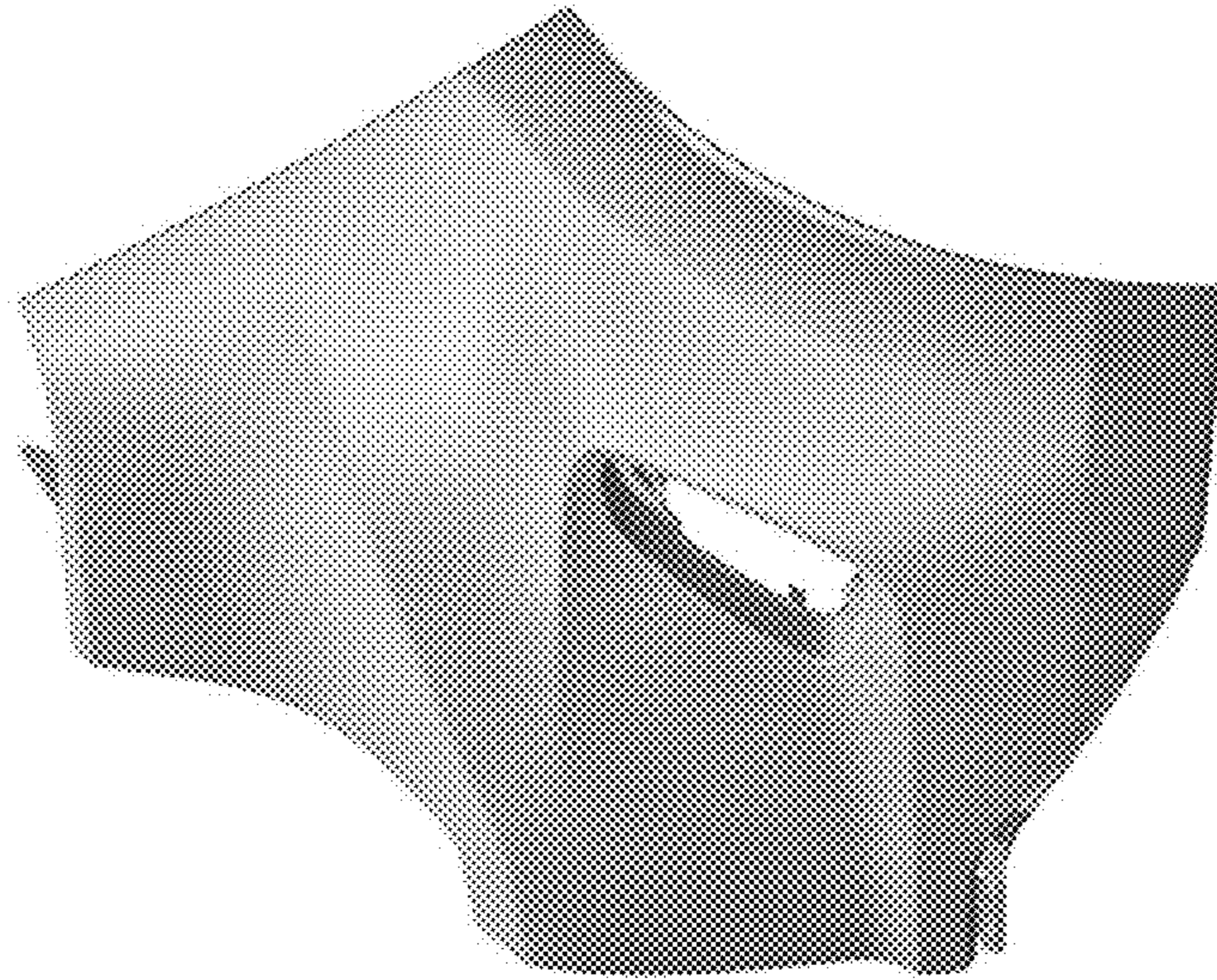


Figure 7

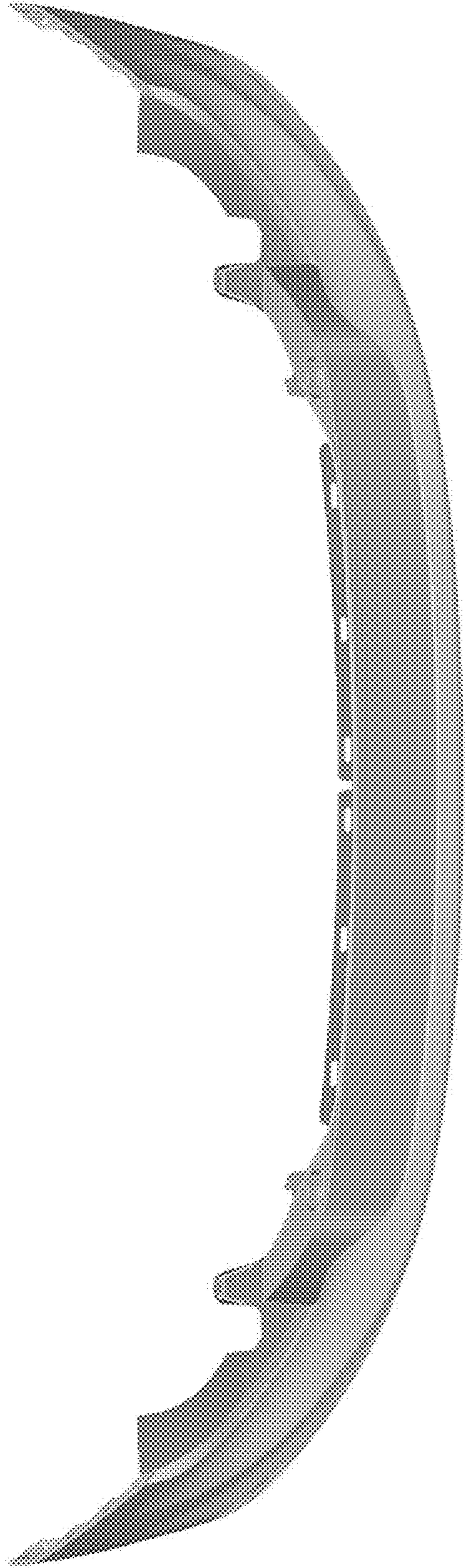


Figure 8

Figure 9

