



US00D823192S

(12) **United States Design Patent** (10) **Patent No.:** **US D823,192 S**
Platto et al. (45) **Date of Patent:** **** Jul. 17, 2018**

(54) **VEHICLE FRONT UPPER BUMPER COVER**

(71) Applicant: **Ford Global Technologies, LLC,**
Dearborn, MI (US)

(72) Inventors: **Gordon M Platto,** Troy, MI (US);
Richard Howard, Brighton, MI (US);
Marc Cammeyer, Berkley, MI (US);
Damon G DePeyster, Northville, MI
(US)

(73) Assignee: **Ford Global Technologies, LLC,**
Dearborn, MI (US)

(**) Term: **15 Years**

(21) Appl. No.: **29/597,511**

(22) Filed: **Mar. 17, 2017**

(51) **LOC (11) Cl.** **12-16**

(52) **U.S. Cl.**
USPC **D12/169**

(58) **Field of Classification Search**
USPC D12/169, 216, 90-92, 86, 171, 196, 163;
293/102, 113, 115, 117, 120; 296/180.1,
296/180.2
CPC B60R 19/02; B60R 19/04; B62D 25/08
See application file for complete search history.

(56) **References Cited**

U.S. PATENT DOCUMENTS

D522,937 S *	6/2006	Tada	D12/169
D576,928 S *	9/2008	Miyazaki	D12/169
D578,447 S *	10/2008	Sawai	D12/169
D583,730 S *	12/2008	Tonello	D12/169
D584,202 S *	1/2009	Sonoda	D12/169
D585,797 S *	2/2009	Suzuki	D12/169
D586,271 S *	2/2009	Futschik	D12/169

D610,500 S *	2/2010	Kulla	D12/169
D610,501 S	2/2010	Bucher et al.		
D620,404 S *	7/2010	Ward	D12/169
D647,437 S *	10/2011	Varga	D12/169
D666,130 S *	8/2012	Varga	D12/169
D670,626 S *	11/2012	Goto	D12/169
D686,119 S *	7/2013	Futschik	D12/169
D700,114 S *	2/2014	Wada	D12/169
D701,152 S *	3/2014	Saracoglu	D12/169
D703,117 S *	4/2014	Osborne	D12/169
D708,995 S *	7/2014	Chen	D12/169
D712,801 S *	9/2014	Kobayashi	D12/169
D719,072 S *	12/2014	Robinson	D12/169
D740,186 S *	10/2015	Gunnarson	D12/169
D746,733 S	1/2016	Behmer et al.		
D753,564 S *	4/2016	Frascella	D12/169
D807,248 S *	1/2018	Piscitelli	D12/169

* cited by examiner

Primary Examiner — Melody N Brown

(74) *Attorney, Agent, or Firm* — James Dottavio

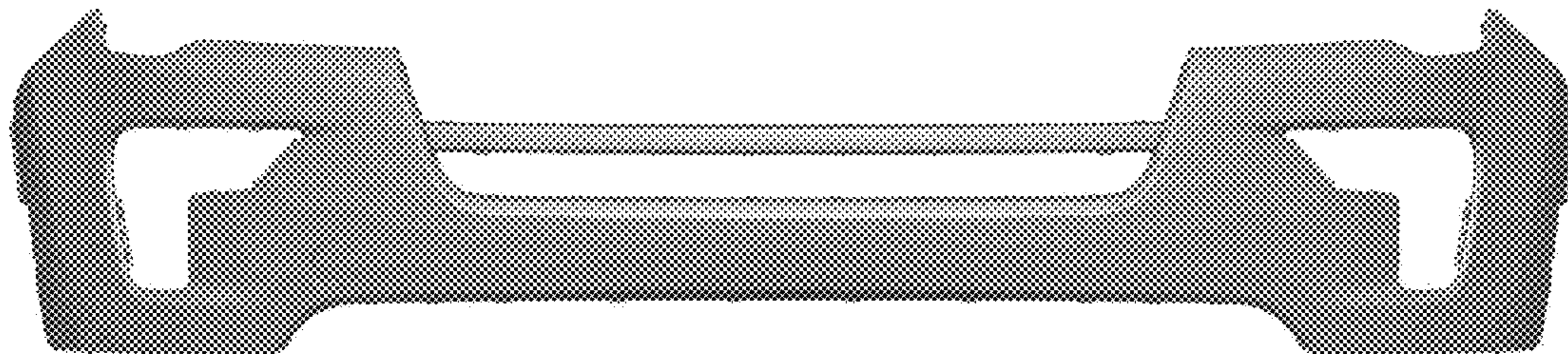
(57) **CLAIM**

The ornamental design for a vehicle front upper bumper cover, as shown and described.

DESCRIPTION

FIG. 1 is a top, front and left side perspective view of a vehicle front upper bumper cover showing our new design; FIG. 2 is a bottom, front and left side perspective view thereof; FIG. 3 is a top, rear and left side perspective view thereof; FIG. 4 is a front elevational view thereof; FIG. 5 is a rear elevational view thereof; FIG. 6 is a left side elevational view thereof; FIG. 7 is a right side elevational view thereof; FIG. 8 is a top plan view thereof; and, FIG. 9 is a bottom plan view thereof.

1 Claim, 9 Drawing Sheets



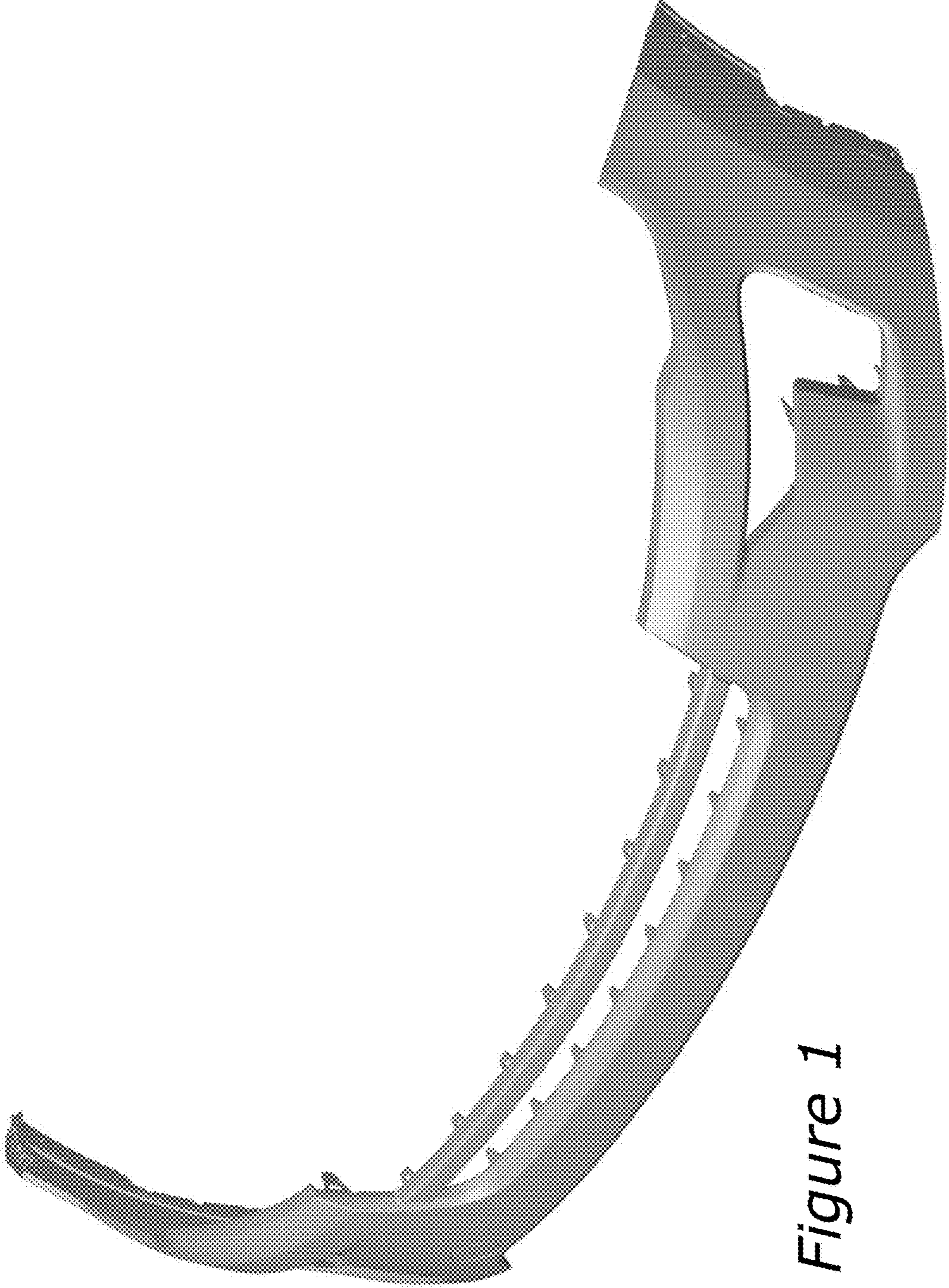


Figure 1

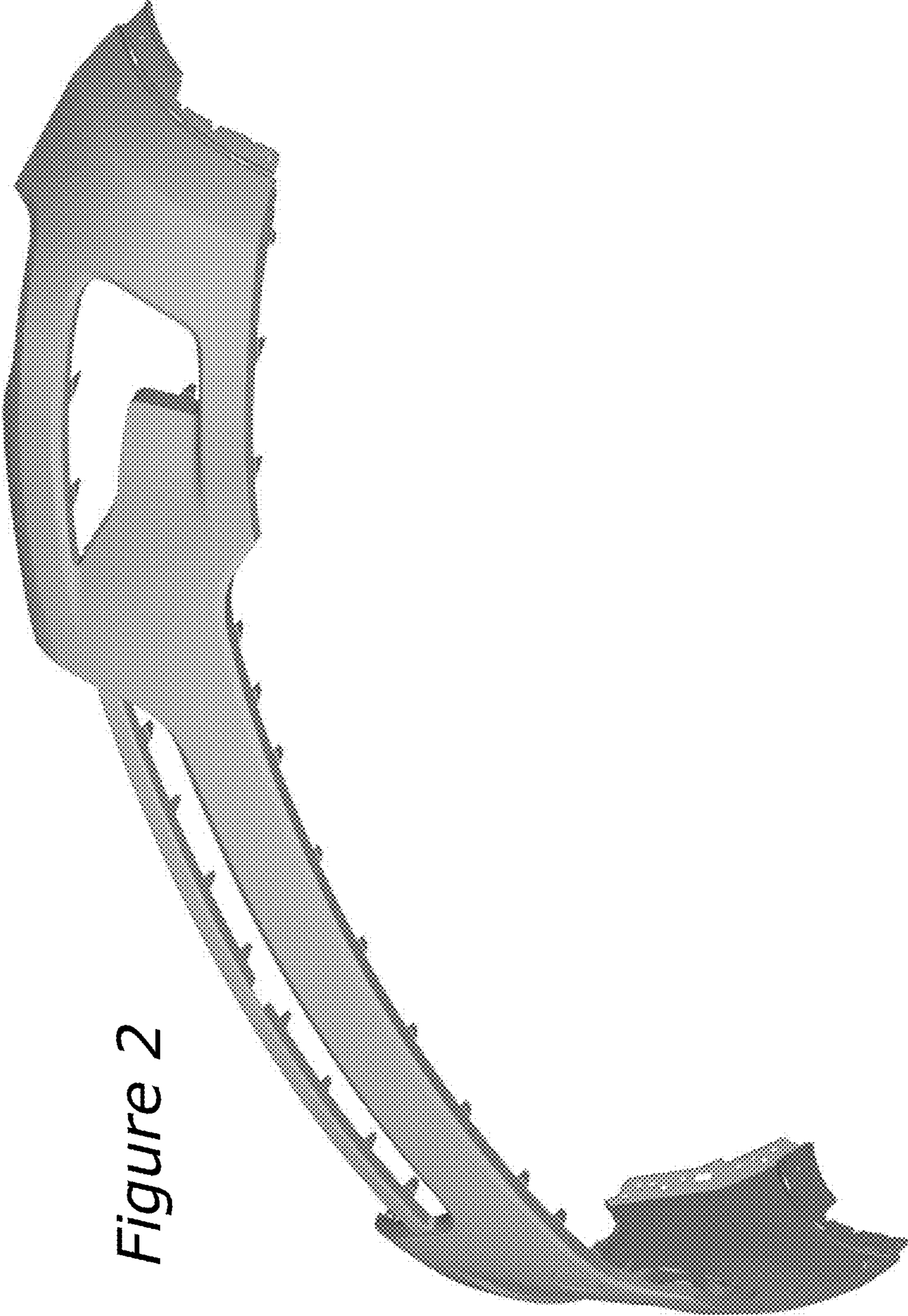


Figure 2



Figure 3

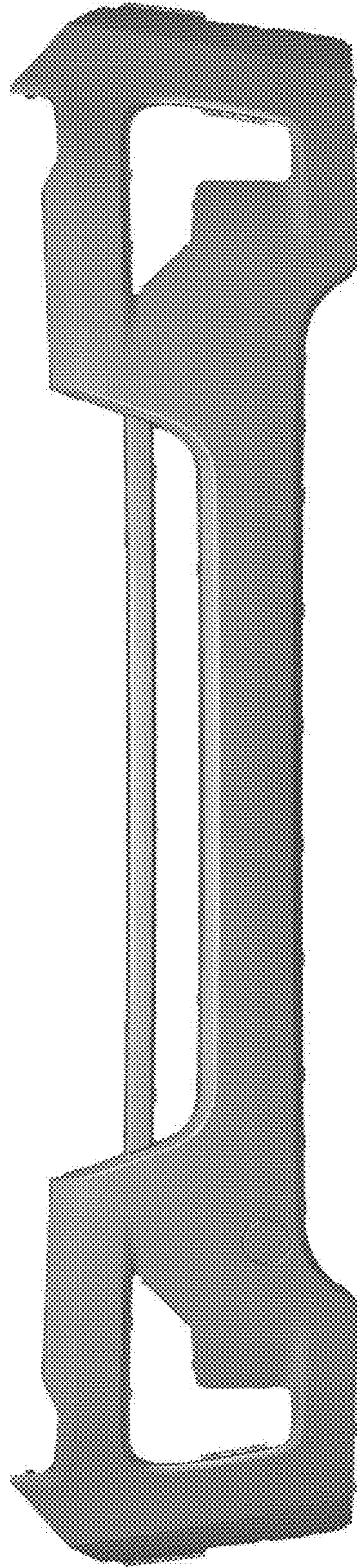


Figure 4

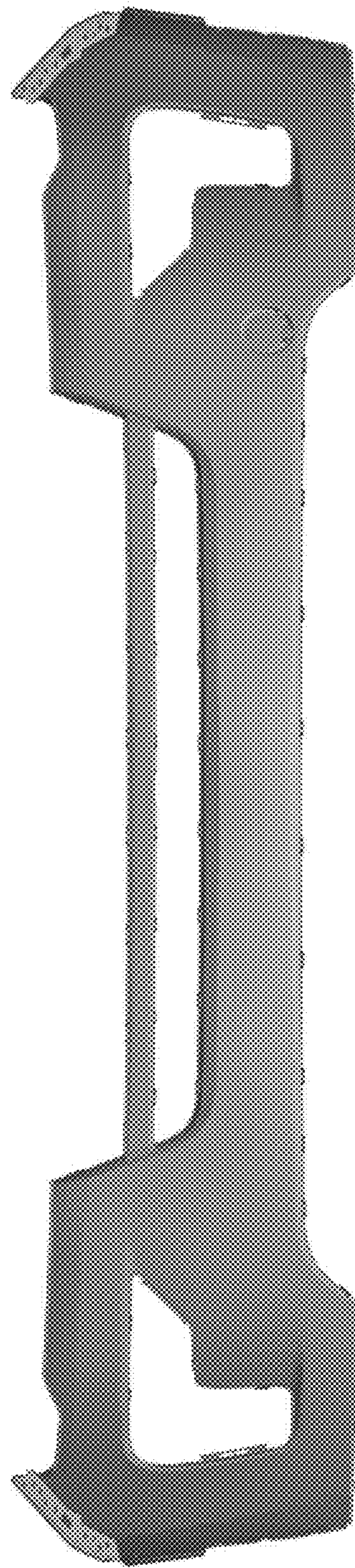


Figure 5

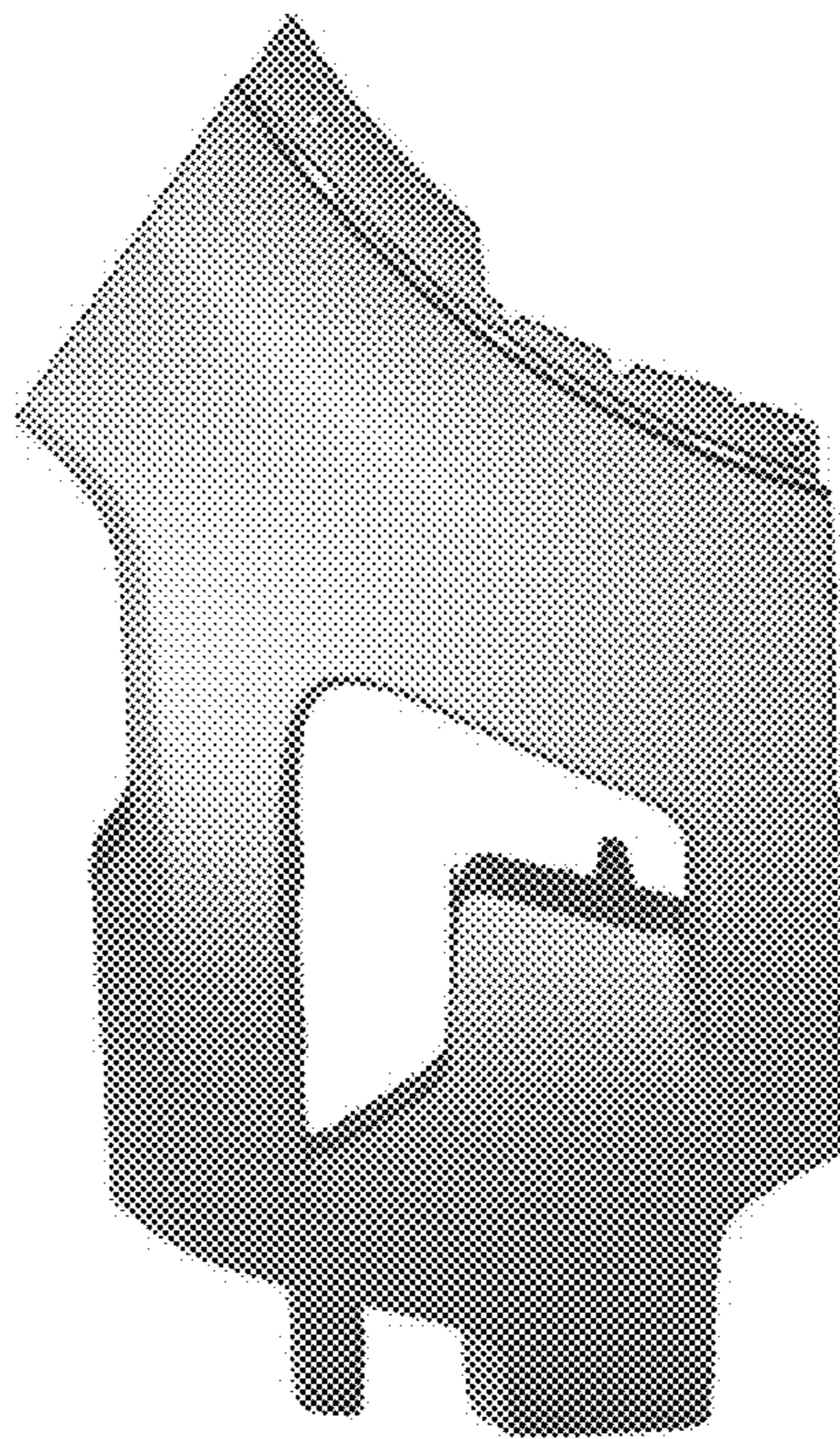


Figure 6

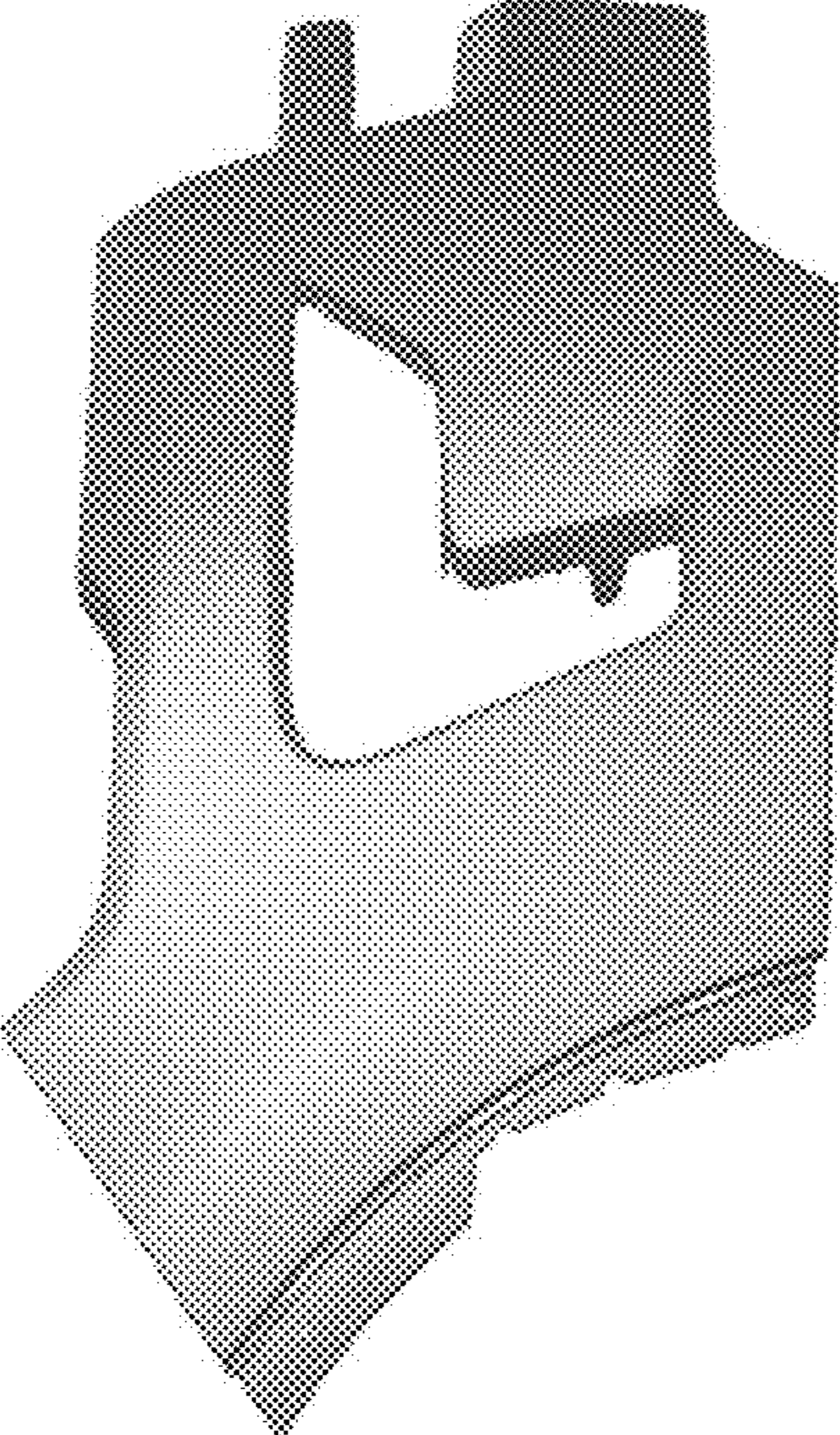


Figure 7

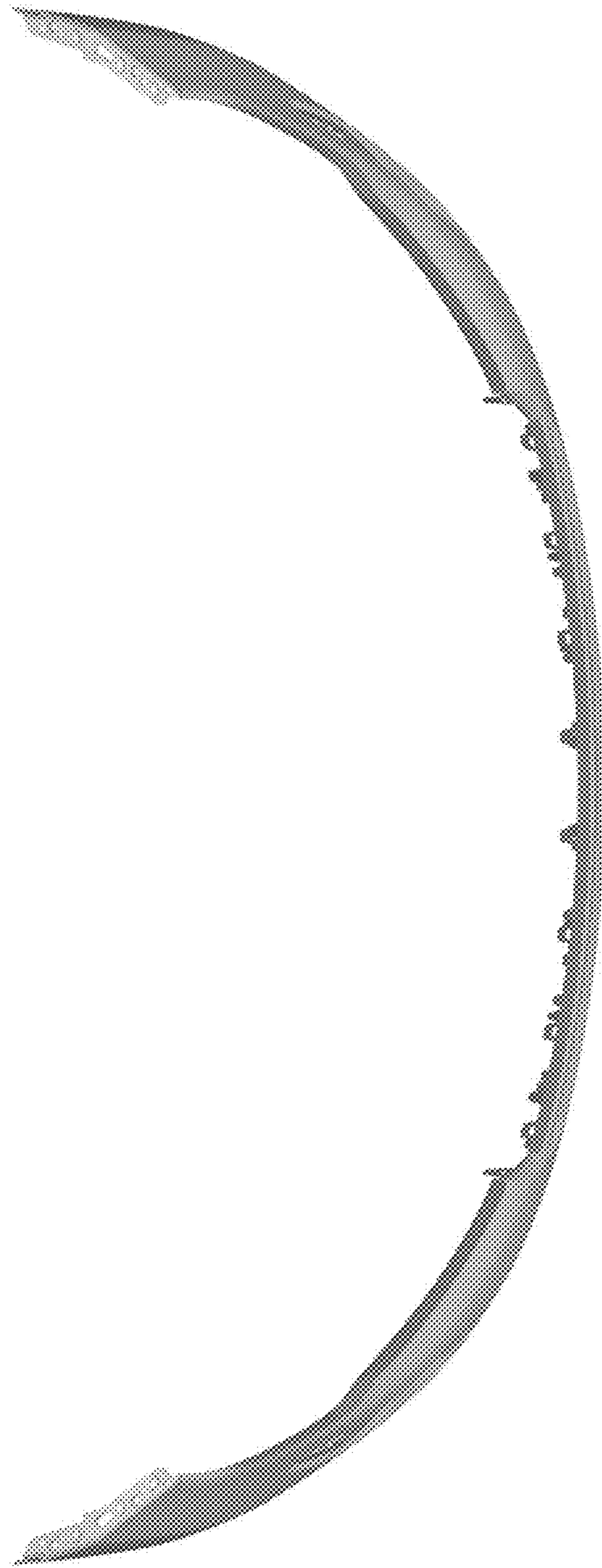


Figure 8

Figure 9

