



US00D823191S

(12) **United States Design Patent** (10) **Patent No.:** **US D823,191 S**
Platto et al. (45) **Date of Patent:** **** Jul. 17, 2018**

(54) **VEHICLE FRONT LOWER BUMPER COVER**

(56)

References Cited

(71) Applicant: **Ford Global Technologies, LLC**,
Dearborn, MI (US)

(72) Inventors: **Gordon M Platto**, Troy, MI (US);
Richard Howard, Brighton, MI (US);
Marc Cammeyer, Berkley, MI (US);
Damon G DePeyster, Northville, MI
(US)

(73) Assignee: **Ford Global Technologies, LLC**,
Dearborn, MI (US)

(**) Term: **15 Years**

(21) Appl. No.: **29/597,504**

(22) Filed: **Mar. 17, 2017**

(51) **LOC (11) Cl.** **12-16**

(52) **U.S. Cl.**
USPC **D12/169**

(58) **Field of Classification Search**
USPC D12/169, 216, 90-92, 86, 171, 196, 163;
293/102, 113, 115, 117, 120; 296/180.1,
296/180.2
CPC B60R 19/02; B60R 19/04; B62D 25/08
See application file for complete search history.

U.S. PATENT DOCUMENTS

D541,708 S	5/2007	Lau et al.	
D610,502 S	2/2010	Bucher et al.	
D748,020 S	1/2016	Behmer et al.	
D754,563 S *	4/2016	Behmer	D12/91
D800,613 S *	10/2017	Park	D12/169
D806,616 S *	1/2018	Granlund	D12/163

* cited by examiner

Primary Examiner — Melody N Brown

(74) *Attorney, Agent, or Firm* — James Dottavio

(57)

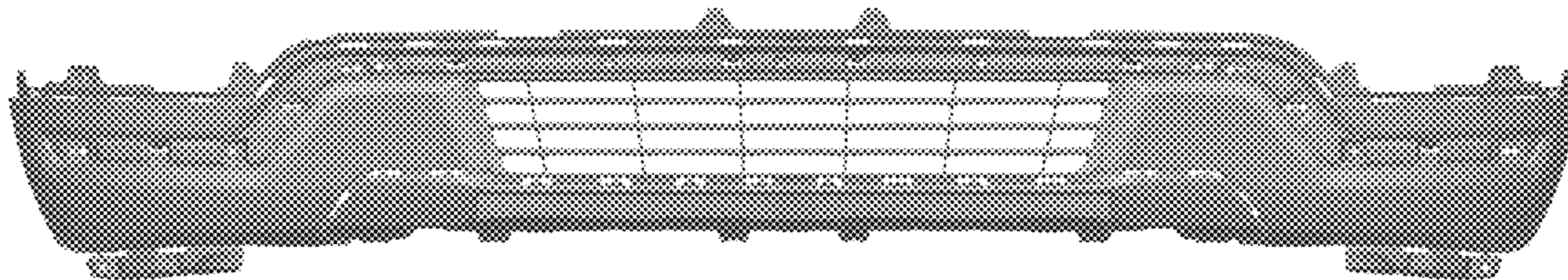
CLAIM

The ornamental design for a vehicle front lower bumper cover, as shown and described.

DESCRIPTION

FIG. 1 is a bottom, front and left side perspective view of a vehicle front lower bumper cover showing our new design; FIG. 2 is a top, front and left side perspective view thereof; FIG. 3 is a top, rear and left side perspective view thereof; FIG. 4 is a front elevational view thereof; FIG. 5 is a rear elevational view thereof; FIG. 6 is a left side elevational view thereof; FIG. 7 is a right side elevational view thereof; FIG. 8 is a top plan view thereof; and, FIG. 9 is a bottom plan view thereof.

1 Claim, 9 Drawing Sheets



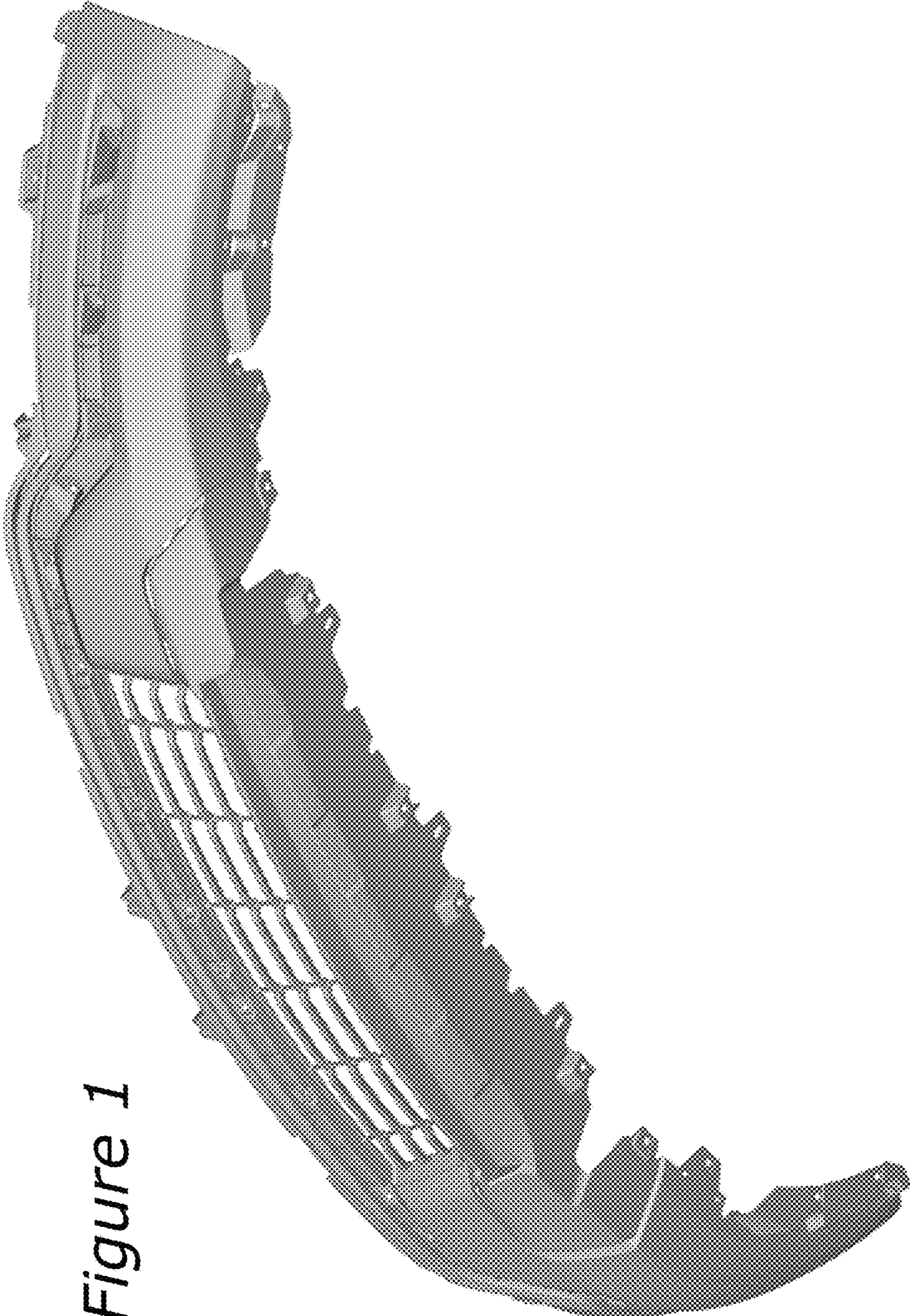


Figure 1

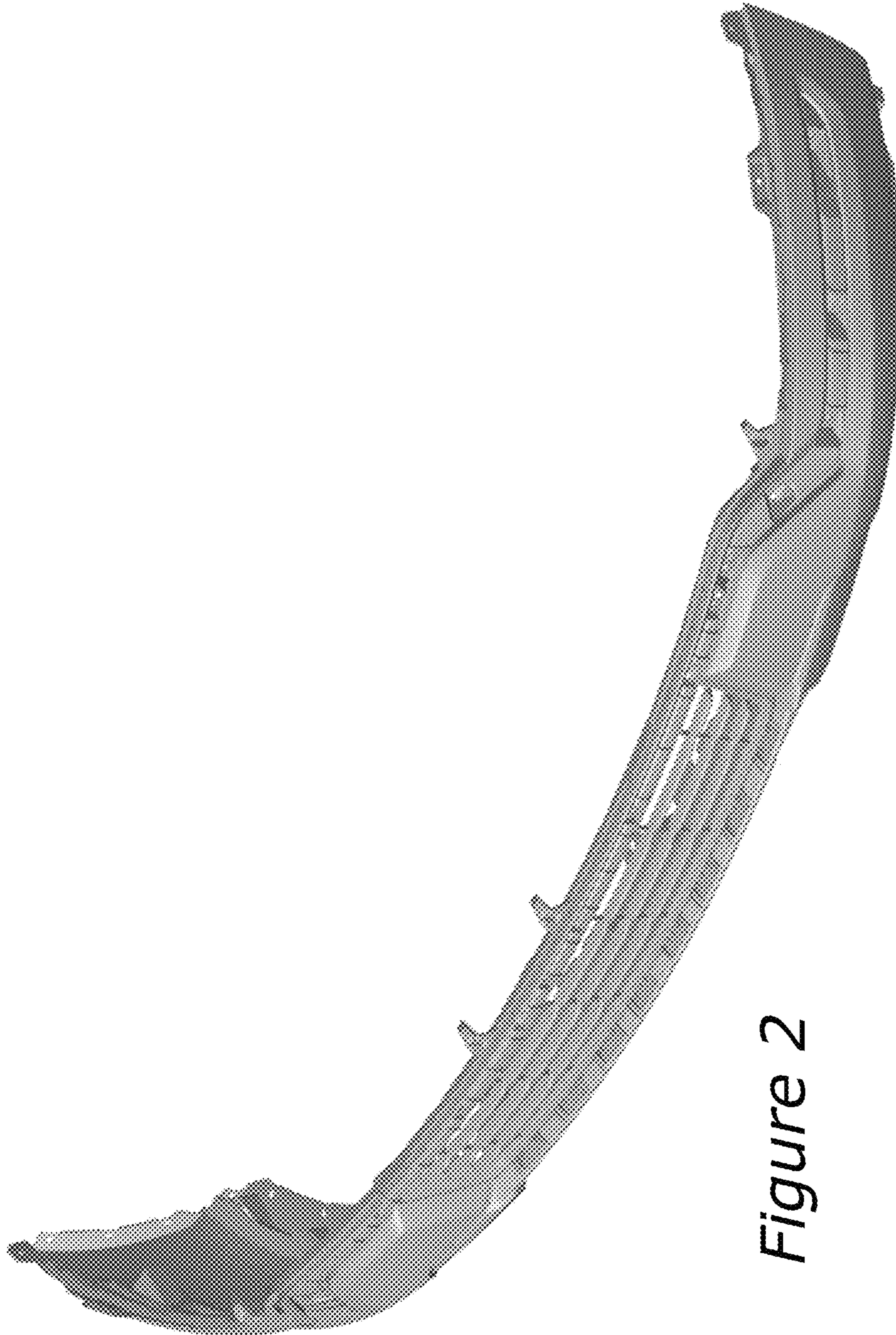


Figure 2

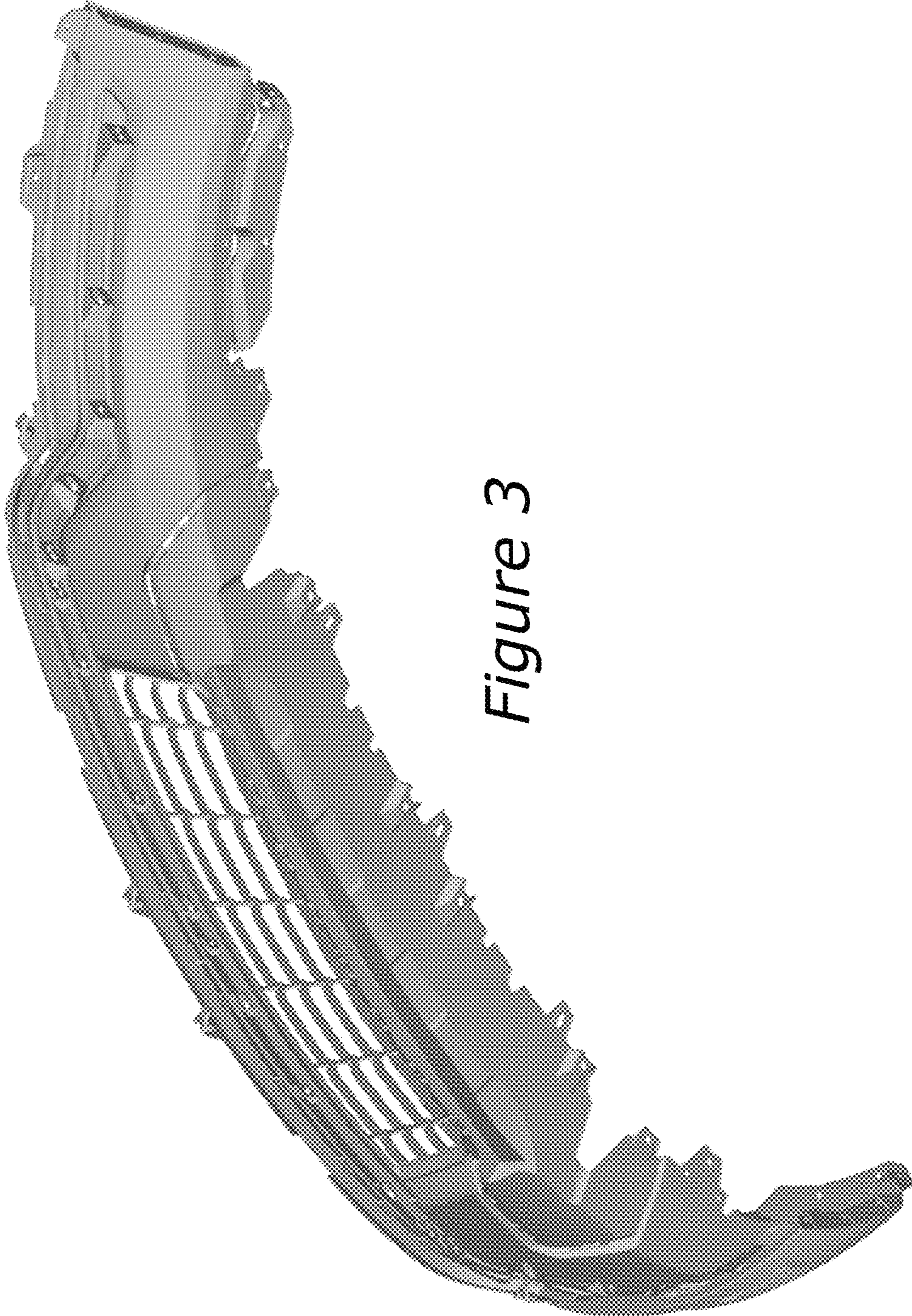


Figure 3

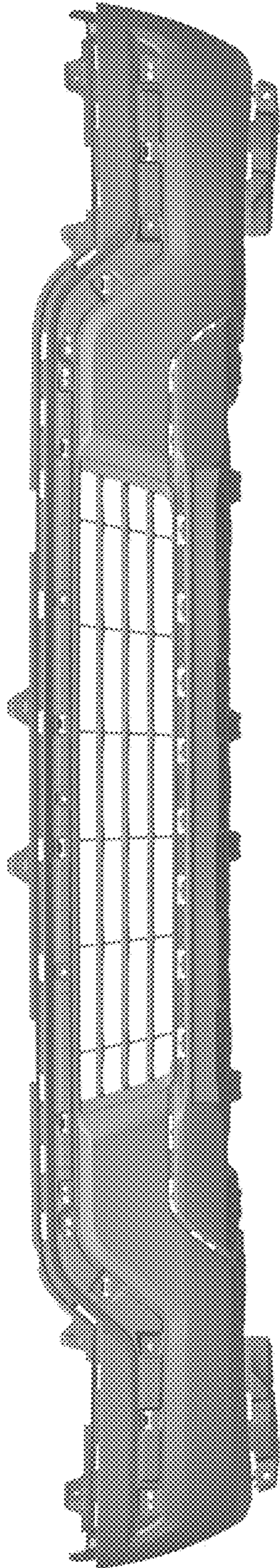


Figure 4

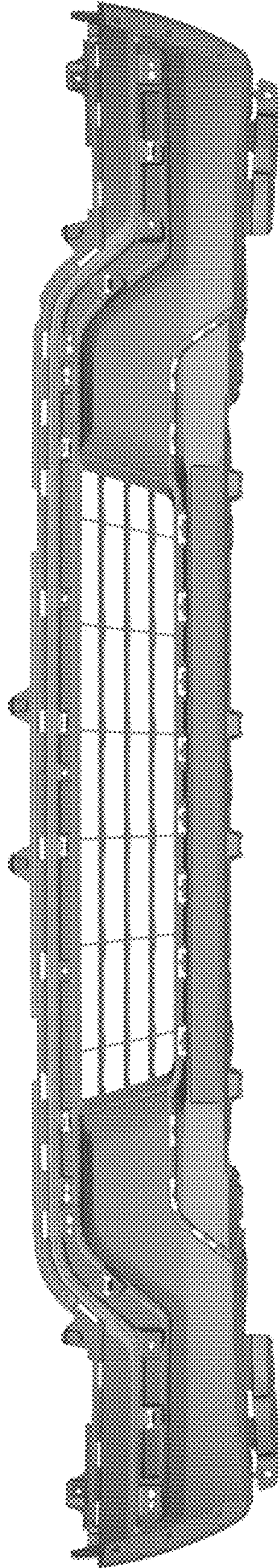


Figure 5

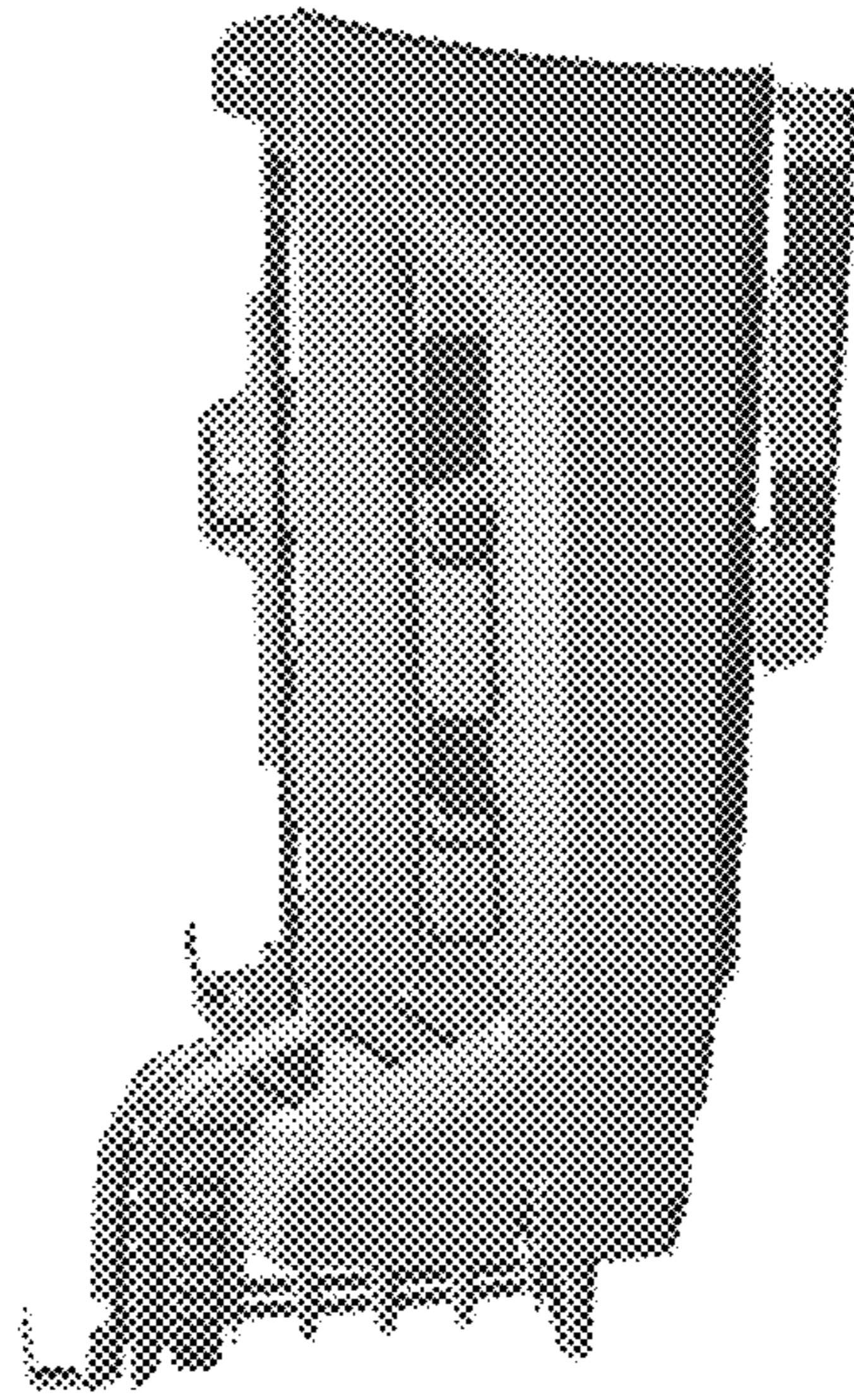


Figure 6

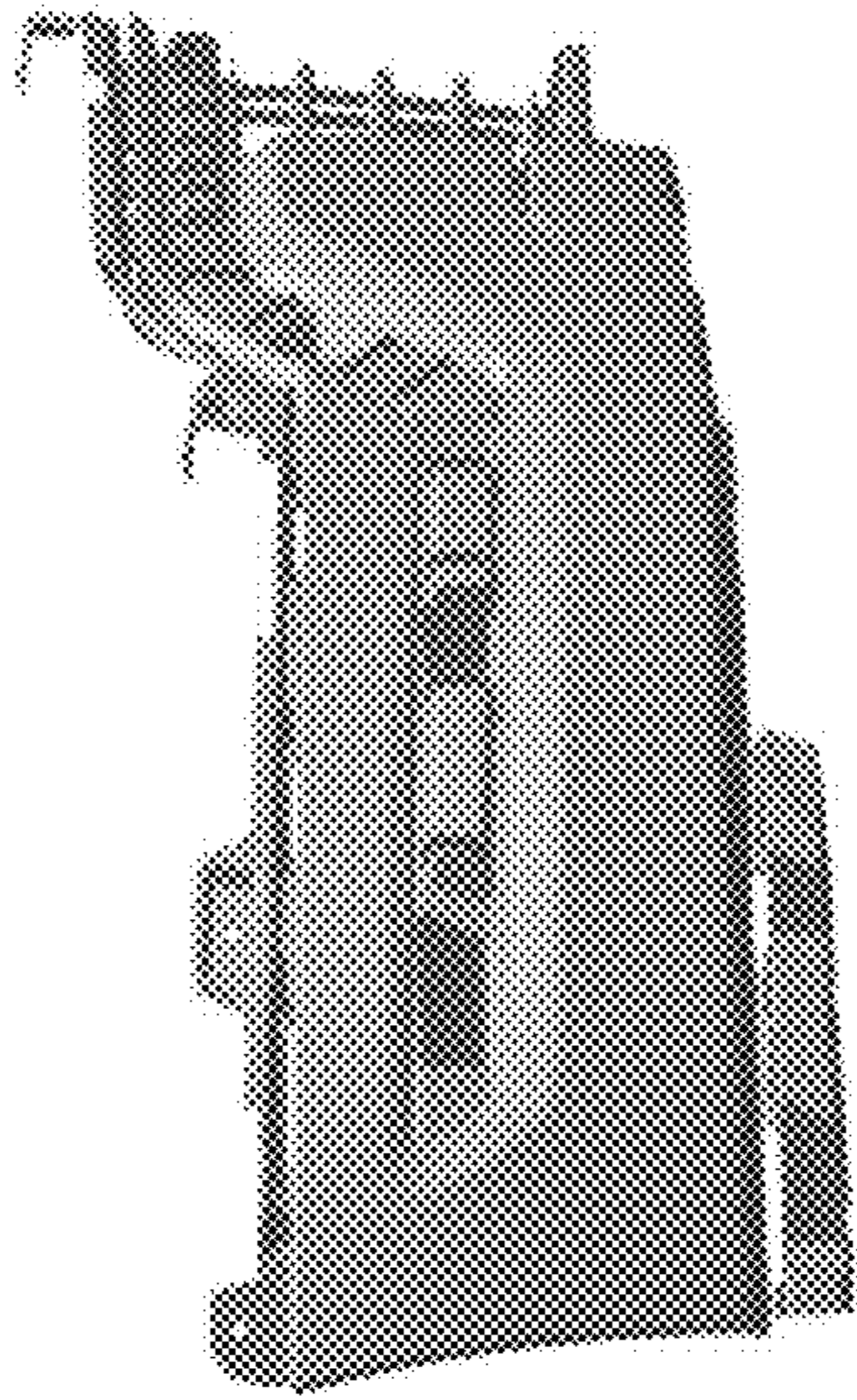


Figure 7

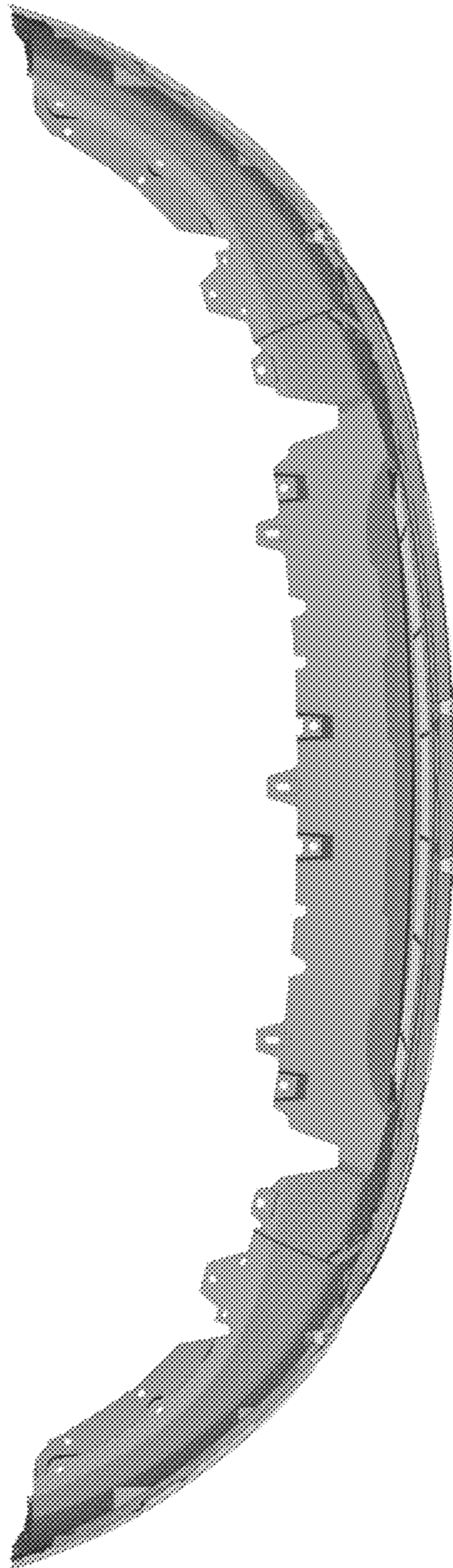


Figure 8

Figure 9

