



US00D823189S

(12) **United States Design Patent**
Woodhouse et al.

(10) **Patent No.:** **US D823,189 S**
(45) **Date of Patent:** **** Jul. 17, 2018**

- (54) **VEHICLE FRONT VALANCE**
- (71) Applicant: **Ford Global Technologies, LLC,**
Dearborn, MI (US)
- (72) Inventors: **David Woodhouse,** Troy, MI (US);
Earl Lucas, Southfield, MI (US);
Jaewoo Chang, Novi, MI (US);
Nonthawat Kongsari, Melbourne (AU)
- (73) Assignee: **Ford Global Technologies, LLC,**
Dearborn, MI (US)
- (**) Term: **15 Years**
- (21) Appl. No.: **29/597,063**
- (22) Filed: **Mar. 14, 2017**
- (51) **LOC (11) Cl.** **12-16**
- (52) **U.S. Cl.**
USPC **D12/169**
- (58) **Field of Classification Search**
USPC D12/167, 169, 181, 184, 190, 400, 406,
D12/412, 414
CPC B60R 19/02; B60R 19/03; B60R 19/18
See application file for complete search history.

D678,143 S *	3/2013	Behmer	D12/169
D683,672 S *	6/2013	Platto	D12/169
D692,814 S *	11/2013	Platto	D12/190
D699,168 S *	2/2014	Osborne	D12/169
D739,321 S *	9/2015	Blanski	D12/169
D740,726 S *	10/2015	Platto	D12/169
D744,916 S *	12/2015	Curic	D12/169
D749,470 S *	2/2016	Behmer	D12/169
D797,619 S *	9/2017	Jung	D12/169
D807,251 S *	1/2018	Piscitelli	D12/169
D808,312 S *	1/2018	Piscitelli	D12/181

* cited by examiner

Primary Examiner — Karen S Acker

Assistant Examiner — Jerry Shiuan-Hua Hsu

(74) *Attorney, Agent, or Firm* — James Dottavio

(57) **CLAIM**

The ornamental design for a vehicle front valance, as shown.

DESCRIPTION

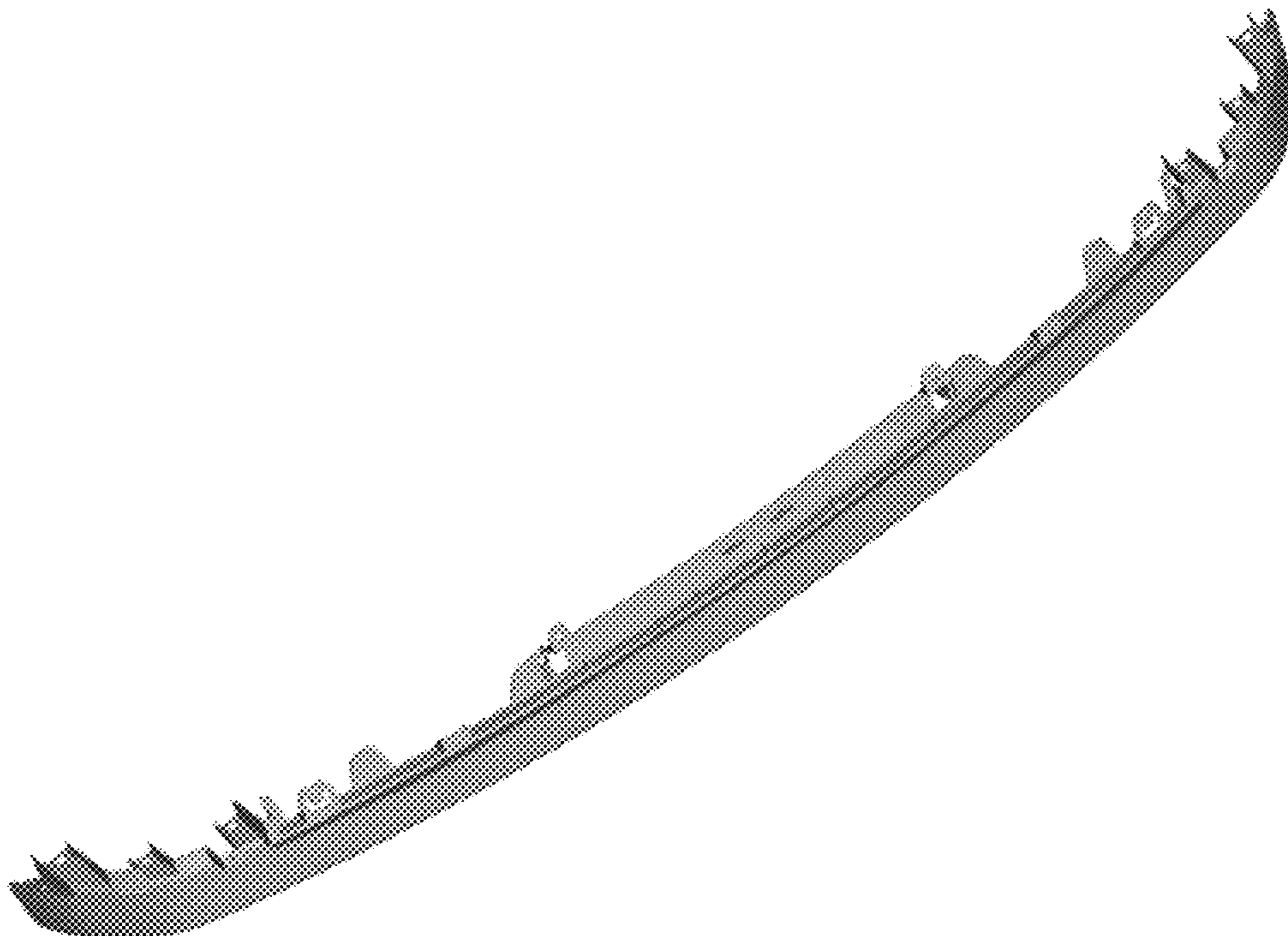
FIG. 1 is a top and front perspective view of a vehicle front valance, showing our new design;
 FIG. 2 is a bottom, front and left perspective view thereof;
 FIG. 3 is a top and rear perspective view thereof;
 FIG. 4 is a front elevational view thereof;
 FIG. 5 is a rear elevational view thereof;
 FIG. 6 is a left side elevational view thereof;
 FIG. 7 is a right side elevational view thereof;
 FIG. 8 is a top plan view thereof; and,
 FIG. 9 is a bottom plan view thereof.

1 Claim, 9 Drawing Sheets

(56) **References Cited**

U.S. PATENT DOCUMENTS

6,511,109 B1 *	1/2003	Schultz	B60R 19/18
				293/102
D614,555 S *	4/2010	Ectors	D12/169



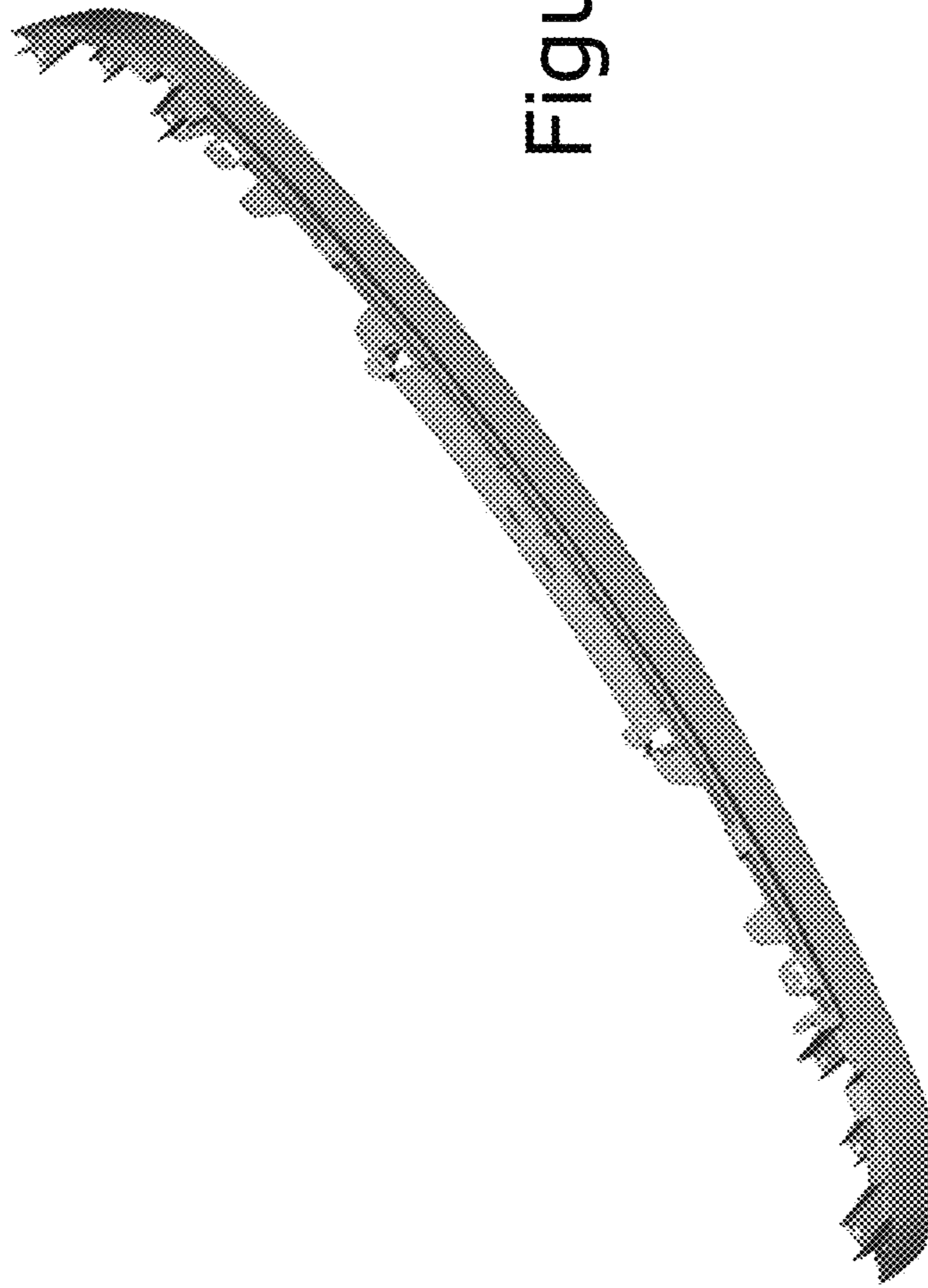


Figure 1

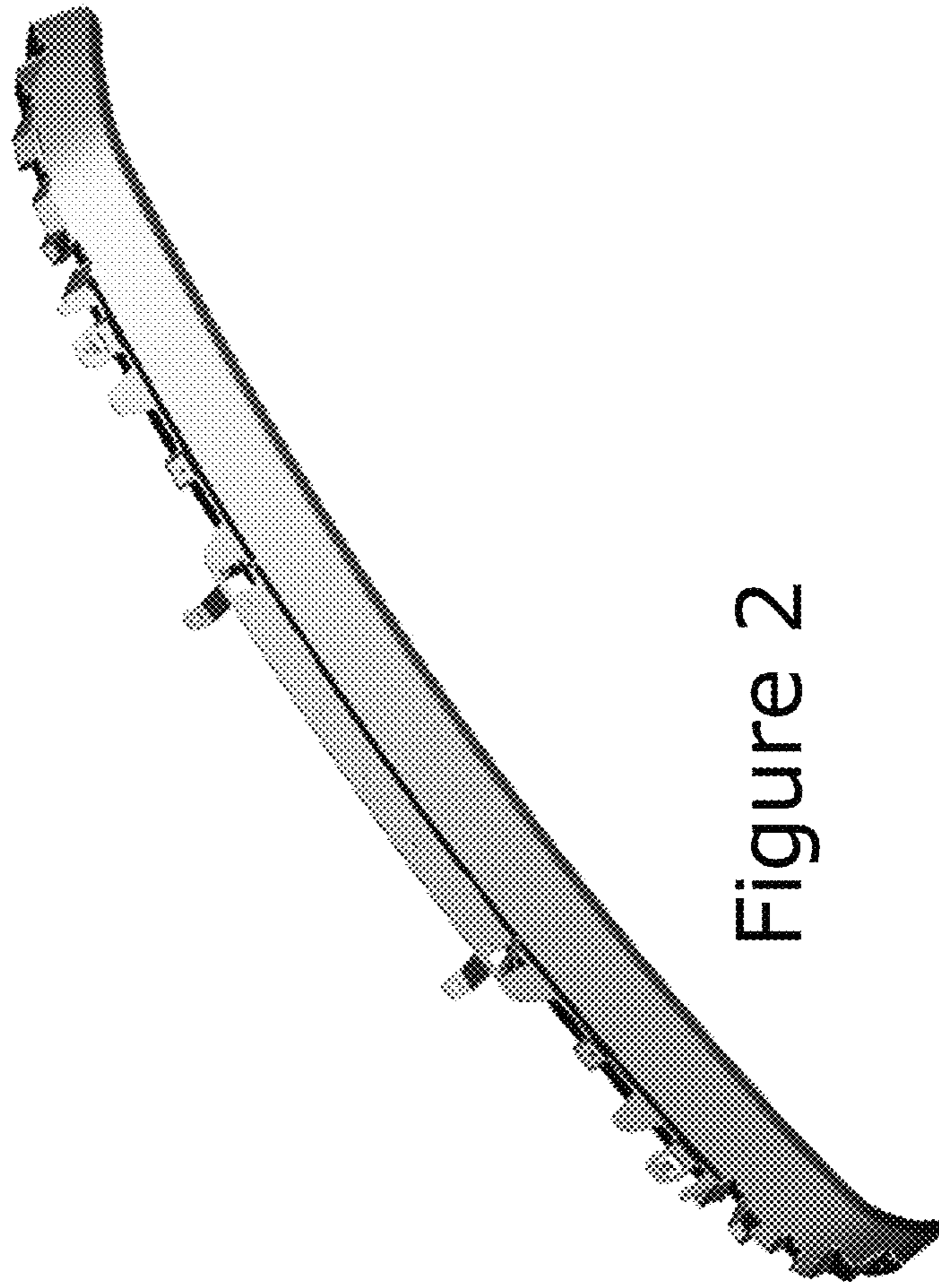


Figure 2

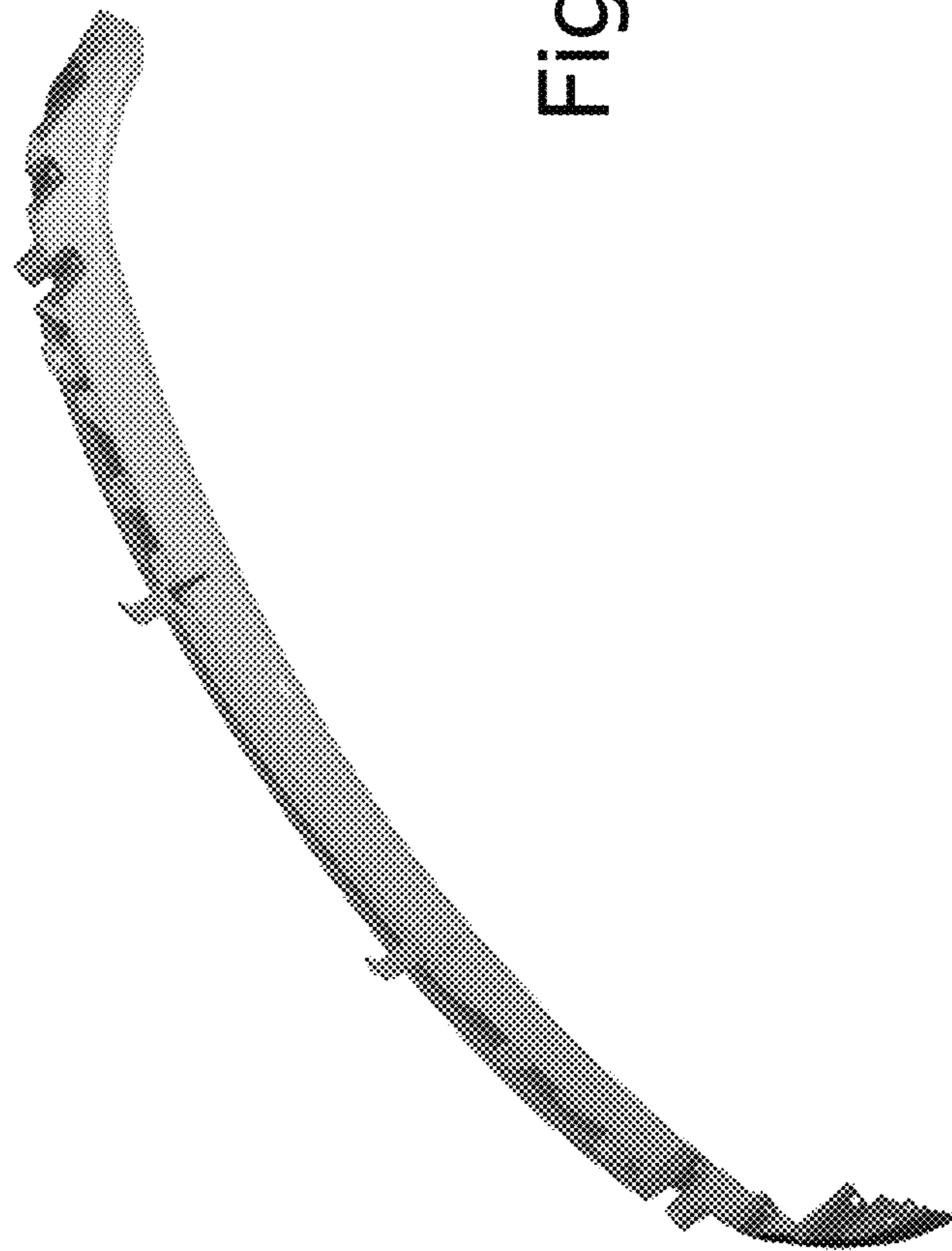


Figure 3

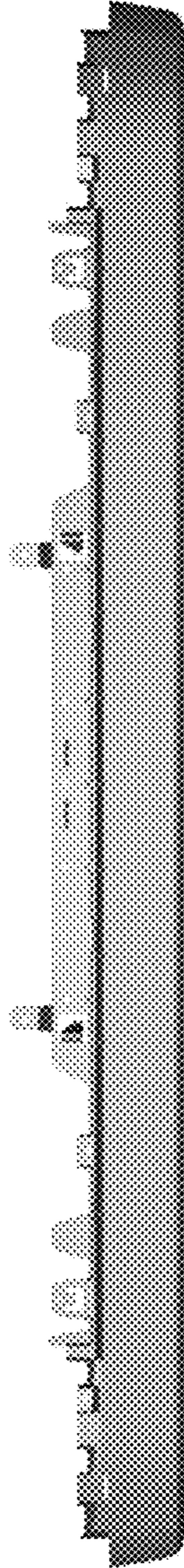


Figure 4

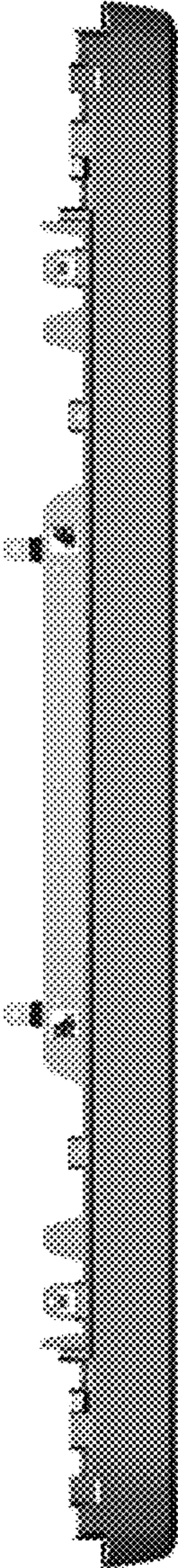


Figure 5

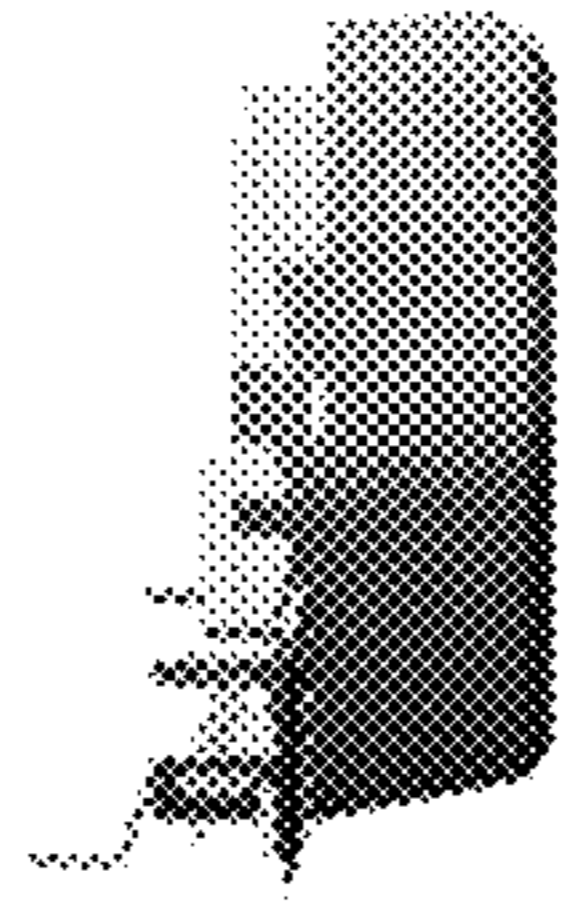


Figure 6

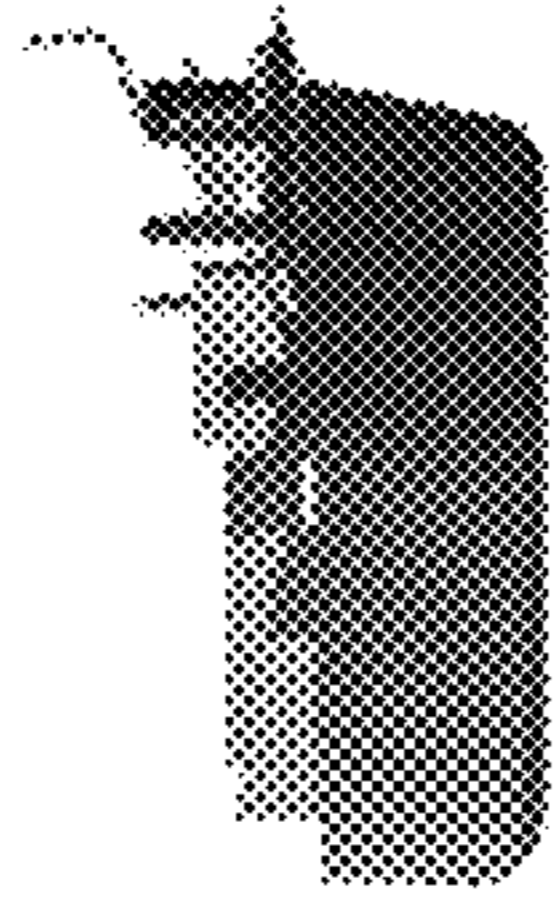


Figure 7



Figure 8



Figure 9