



US00D823181S

(12) **United States Design Patent** (10) **Patent No.:** **US D823,181 S**
Bucher et al. (45) **Date of Patent:** **** Jul. 17, 2018**

(54) **VEHICLE FRONT UPPER GRILLE**
(71) Applicant: **Ford Global Technologies, LLC**,
Dearborn, MI (US)
(72) Inventors: **George Bucher**, Dearborn, MI (US);
James Grake, Beverly Hills, MI (US);
Steven Gilmore, Farmington Hills, MI
(US)
(73) Assignee: **Ford Global Technologies, LLC**,
Dearborn, MI (US)
(**) Term: **15 Years**
(21) Appl. No.: **29/593,057**
(22) Filed: **Feb. 6, 2017**
(51) **LOC (11) Cl.** **12-16**
(52) **U.S. Cl.**
USPC **D12/163**
(58) **Field of Classification Search**
USPC D12/86, 90, 91, 92, 163, 169, 171, 196,
D12/216
CPC B60R 19/02; B60R 19/04; B62D 25/00;
B62D 25/06; B62D 25/08; B62D 35/00
See application file for complete search history.

(56) **References Cited**

U.S. PATENT DOCUMENTS

D411,493 S *	6/1999	Davis, Jr.	D12/163
D491,495 S *	6/2004	Metros	D12/163
D495,979 S *	9/2004	Metros	D12/163
7,059,031 B1 *	6/2006	Elwell	B60R 13/00 180/68.6
D532,723 S *	11/2006	Schiavone	D12/163
D533,485 S *	12/2006	Schiavone	D12/163
D533,815 S *	12/2006	Matei	D12/163
D534,841 S *	1/2007	Matei	D12/163
D560,567 S *	1/2008	Tant	D12/163
D560,568 S *	1/2008	Tant	D12/163

D561,655 S *	2/2008	Ellis	D12/163
D561,656 S *	2/2008	Ellis	D12/163
D570,258 S *	6/2008	Smith	D12/163
D580,310 S *	11/2008	Tant	D12/163
D580,312 S *	11/2008	Opfer	D12/163
D584,196 S *	1/2009	Ebel	D12/163
D585,796 S *	2/2009	Nagasaka	D12/163
D607,786 S *	1/2010	Golden	D12/163
D607,787 S *	1/2010	Golden	D12/163
D609,142 S *	2/2010	Roller	D12/163
D679,225 S *	4/2013	Gifford	D12/163
D685,695 S *	7/2013	Platto	D12/163
D726,599 S	4/2015	Grake et al.	
D755,088 S *	5/2016	McMahan	D12/163
D775,003 S *	12/2016	Pevovar	D12/163
D776,020 S *	1/2017	Kapitonov	D12/163
D782,943 S *	4/2017	Kavaja	D12/163
D782,944 S *	4/2017	Pevovar	D12/163
2010/0148525 A1 *	6/2010	Abdelnour	B60R 19/52 293/115

(Continued)

Primary Examiner — Susan Bennett Hattan

Assistant Examiner — Suzanne E Tisdell

(74) *Attorney, Agent, or Firm* — James Dottavio

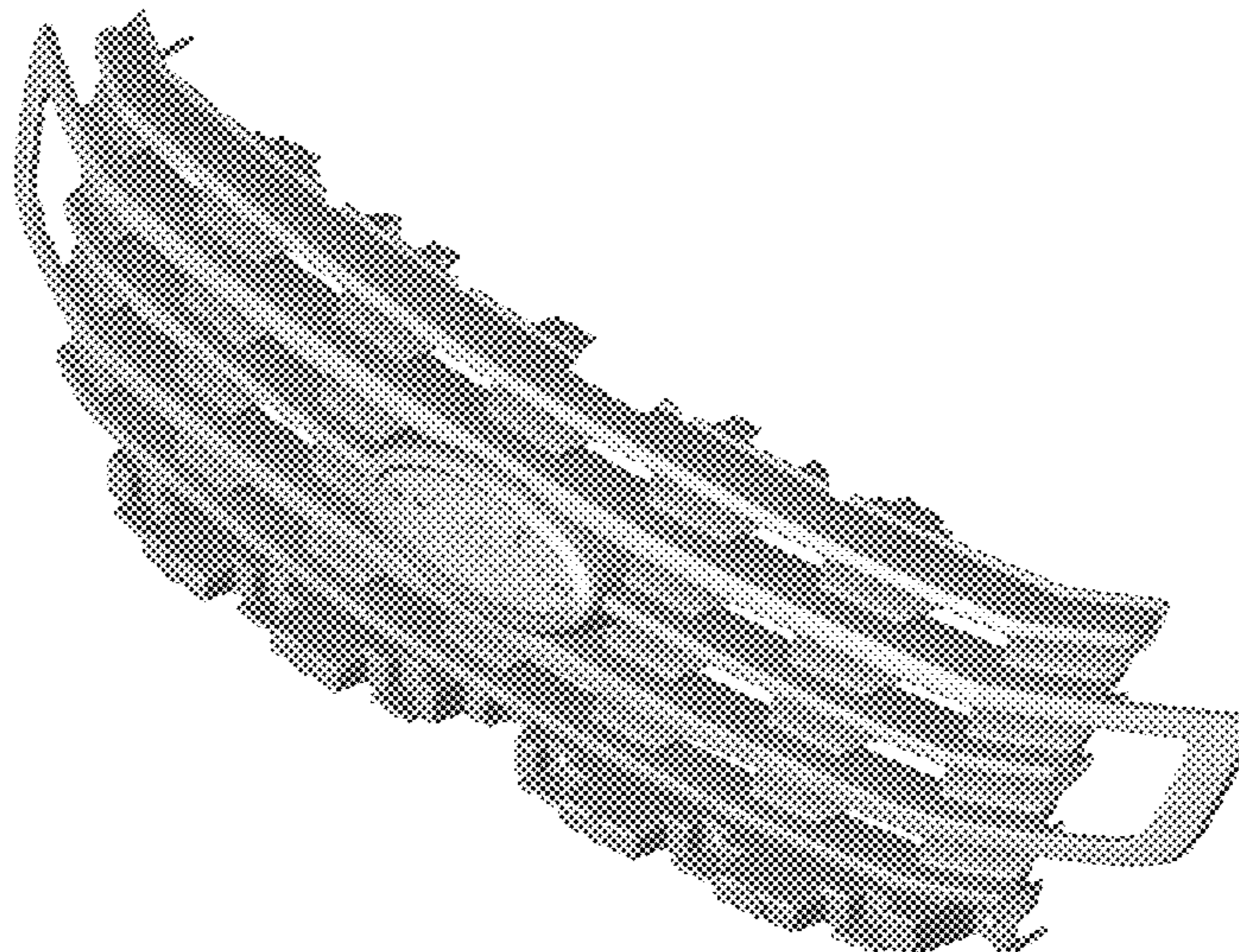
(57) **CLAIM**

The ornamental design for a vehicle front upper grille, as shown.

DESCRIPTION

FIG. 1 is a top left perspective view of a vehicle front upper grille, showing our new design;
FIG. 2 is a bottom left perspective view thereof;
FIG. 3 is a top rear inside perspective view thereof;
FIG. 4 is a front elevational view thereof;
FIG. 5 is a rear elevational view thereof;
FIG. 6 is a left side elevational view thereof;
FIG. 7 is a right side elevational view thereof;
FIG. 8 is a top plan view thereof; and,
FIG. 9 is a bottom plan view thereof.

1 Claim, 9 Drawing Sheets



(56)

References Cited

U.S. PATENT DOCUMENTS

2011/0181062	A1*	7/2011	Bernt	B60K 11/085 293/102
2012/0090906	A1*	4/2012	Charnesky	B60K 11/085 180/68.1
2014/0291056	A1*	10/2014	Takanaga	B60K 11/085 180/274

* cited by examiner

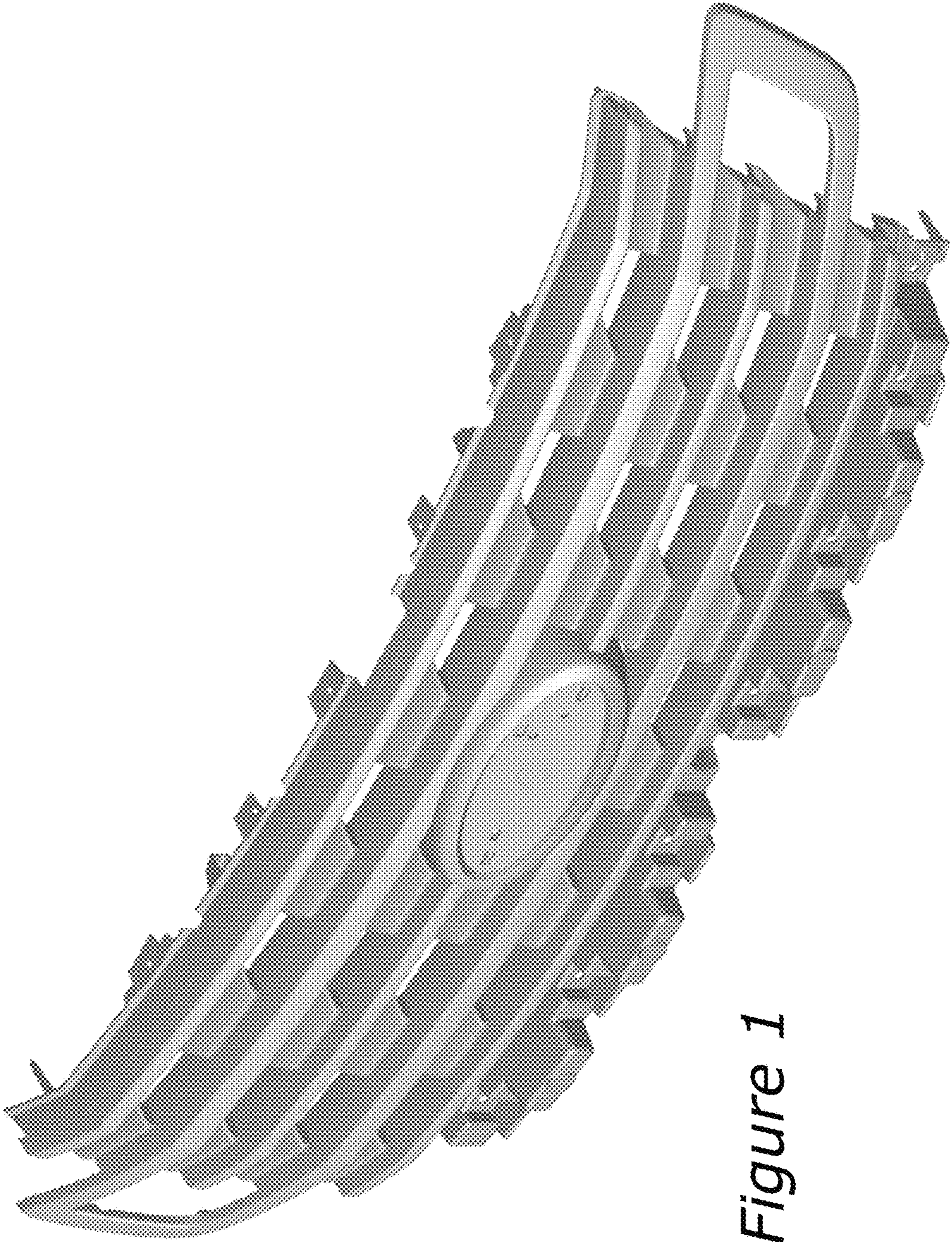


Figure 1

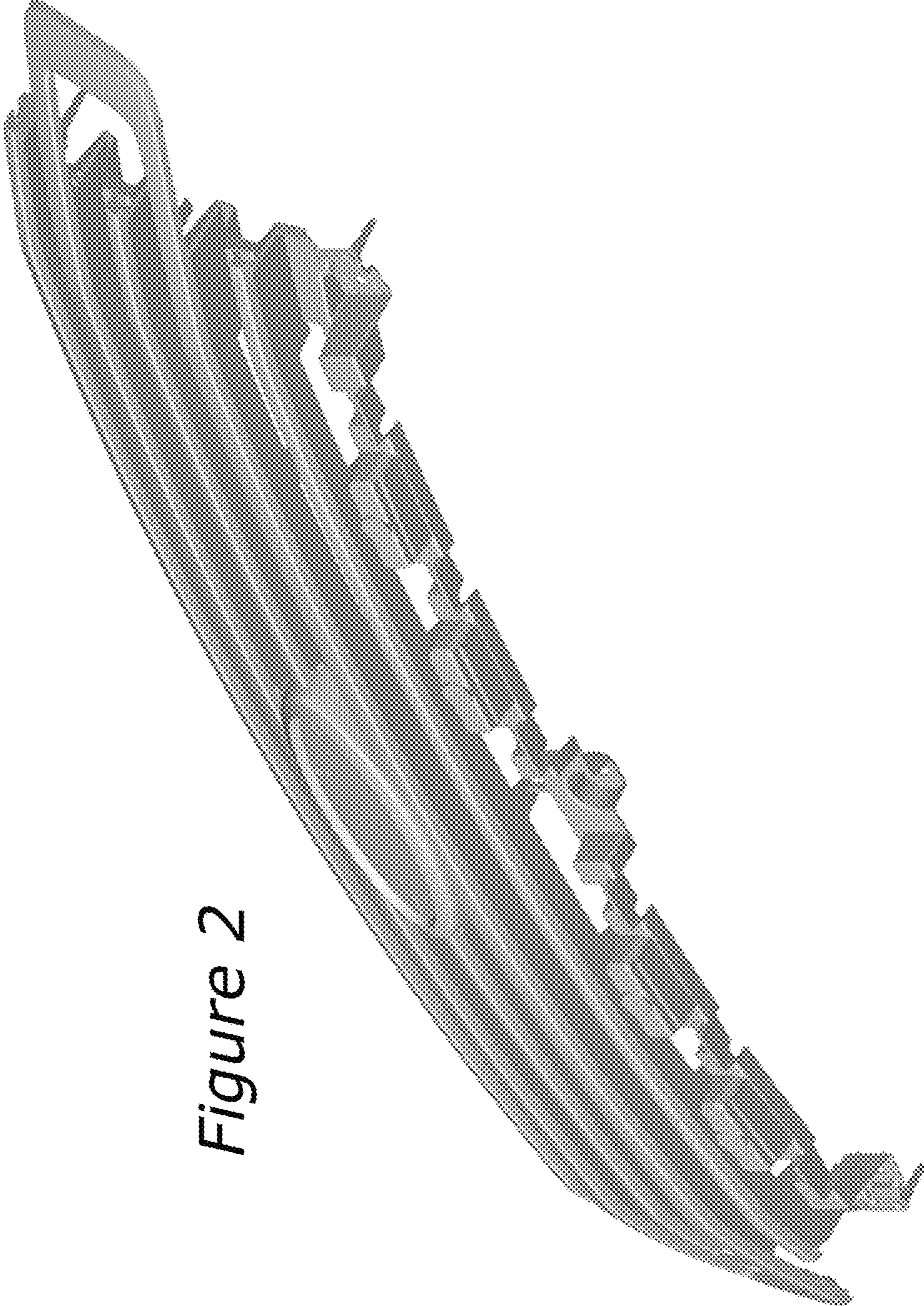


Figure 2

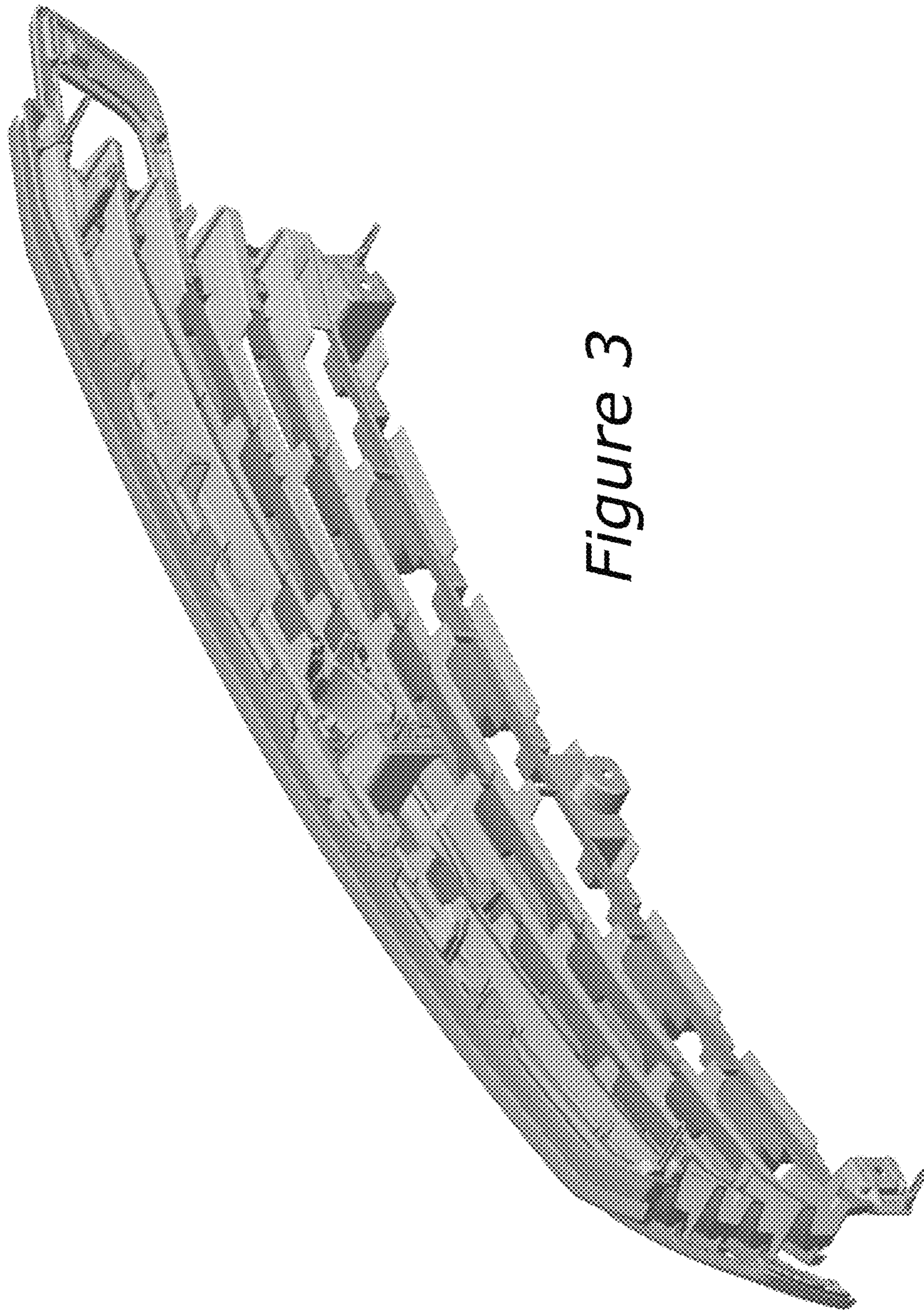


Figure 3

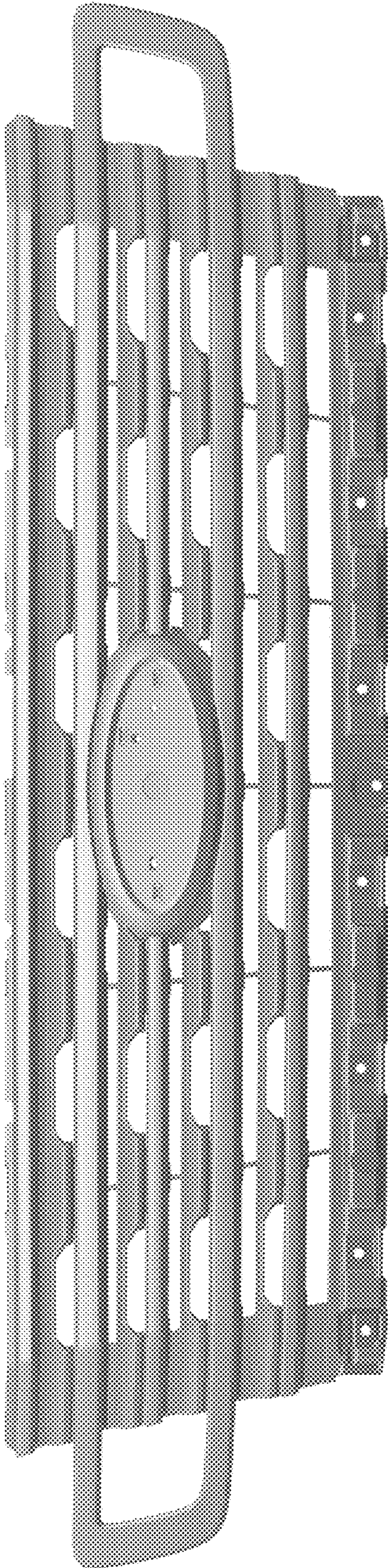


Figure 4

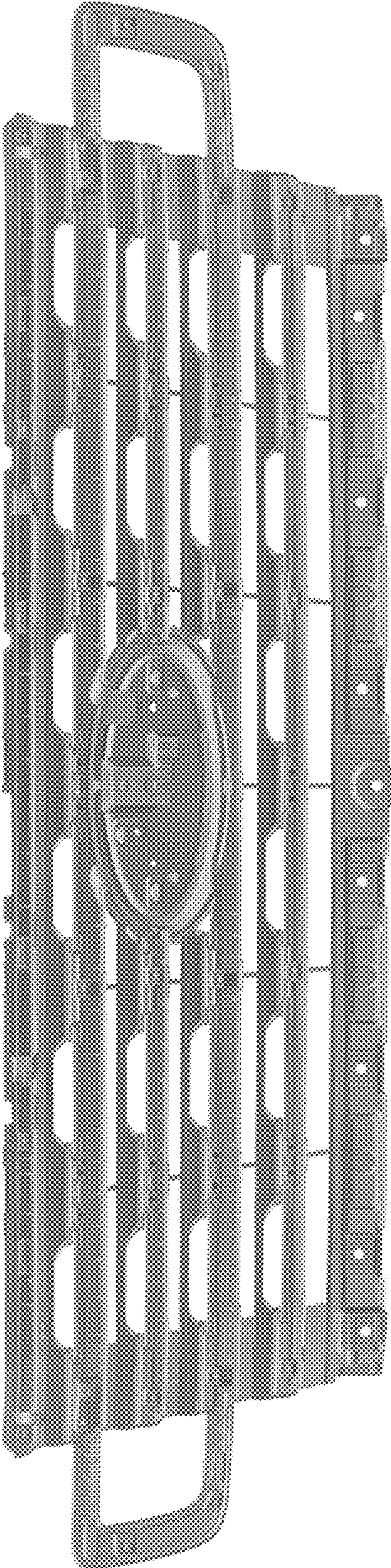


Figure 5

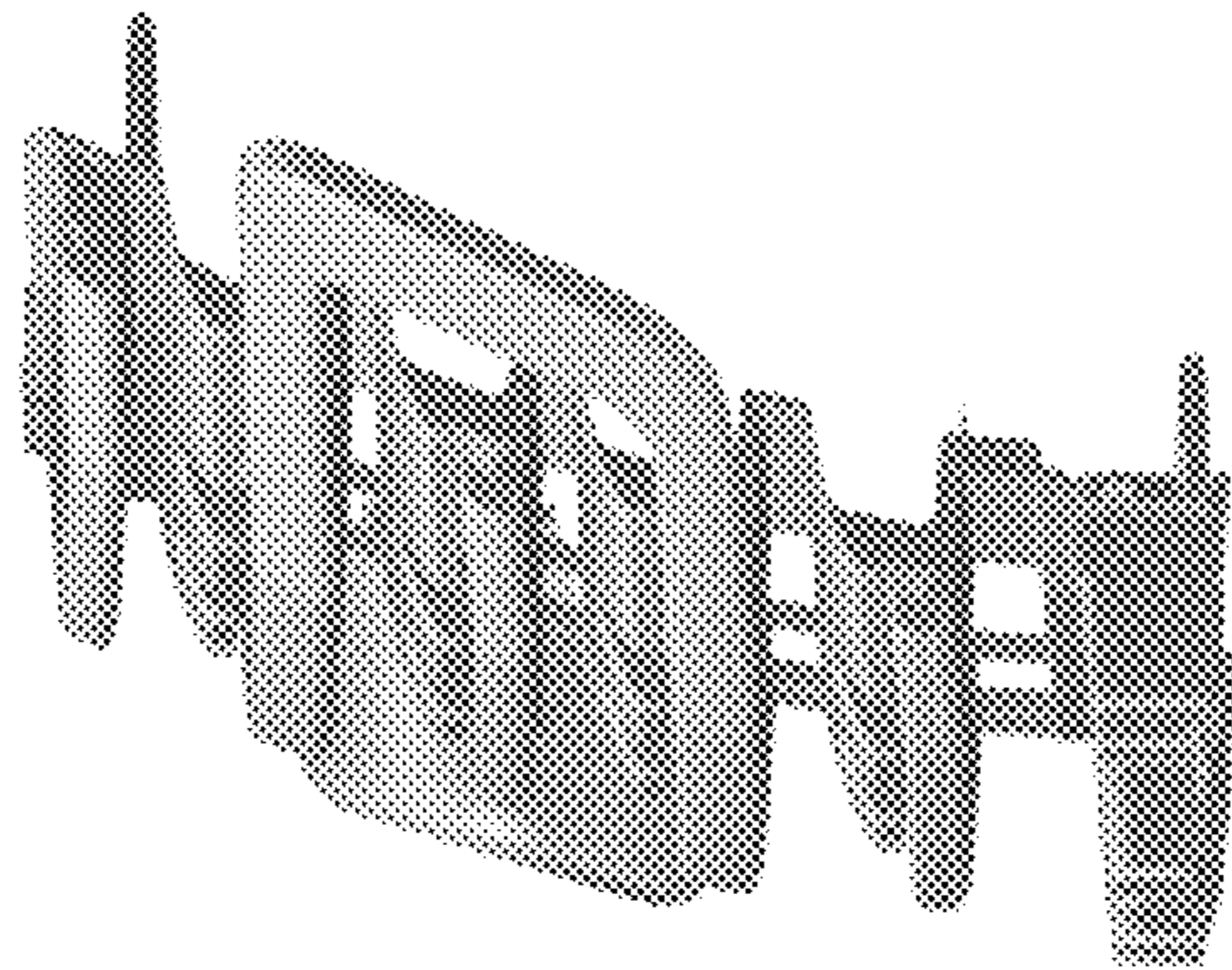


Figure 6



Figure 7

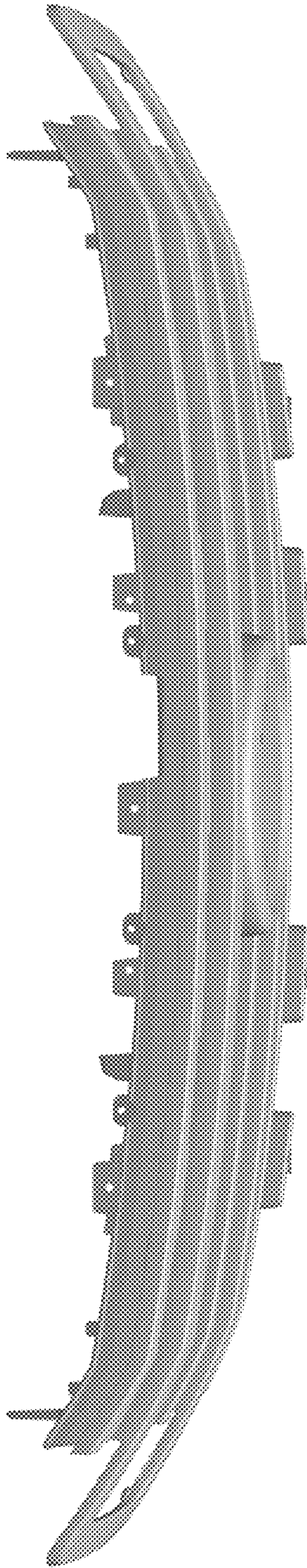


Figure 8

Figure 9

