

US00D823180S

(12) **United States Design Patent** (10) **Patent No.:** **US D823,180 S**  
**Platto et al.** (45) **Date of Patent:** **\*\* Jul. 17, 2018**

(54) **VEHICLE FRONT UPPER GRILLE**  
(71) Applicant: **Ford Global Technologies, LLC**,  
Dearborn, MI (US)  
(72) Inventors: **Gordon M. Platto**, Troy, MI (US);  
**Sean W. Tant**, Livonia, MI (US);  
**William K. Moore**, West Bloomfield,  
MI (US)  
(73) Assignee: **Ford Global Technologies, LLC**,  
Dearborn, MI (US)  
(\*\*) Term: **15 Years**  
(21) Appl. No.: **29/588,160**  
(22) Filed: **Dec. 19, 2016**  
(51) **LOC (11) Cl.** ..... **12-16**  
(52) **U.S. Cl.**  
USPC ..... **D12/163**  
(58) **Field of Classification Search**  
USPC ..... D12/86, 90, 91, 92, 163, 169, 171, 196,  
D12/216  
CPC ..... B60R 19/02; B60R 19/04; B62D 25/00;  
B62D 25/06; B62D 25/08; B62D 35/00  
See application file for complete search history.

(56) **References Cited**  
U.S. PATENT DOCUMENTS  
D411,493 S \* 6/1999 Davis, Jr. .... D12/163  
D491,495 S \* 6/2004 Metros ..... D12/163  
D495,979 S \* 9/2004 Metros ..... D12/163  
7,059,031 B1 \* 6/2006 Elwell ..... B60R 13/00  
180/68.6  
D532,723 S \* 11/2006 Schiavone ..... B60R 13/00  
D12/163

D533,485 S \* 12/2006 Schiavone ..... D12/163  
D533,815 S \* 12/2006 Matei ..... D12/163  
D560,567 S \* 1/2008 Tant ..... D12/163  
D560,568 S \* 1/2008 Tant ..... D12/163  
D679,225 S \* 4/2013 Gifford ..... D12/163  
D755,088 S \* 5/2016 McMahan ..... D12/163  
D769,160 S 10/2016 Platto  
D775,003 S \* 12/2016 Pevovar ..... D12/163  
D782,943 S \* 4/2017 Kavaja ..... B60R 19/52  
D12/163  
D782,944 S \* 4/2017 Pevovar ..... B60K 11/085  
D12/163  
2010/0148525 A1 \* 6/2010 Abdelnour ..... B60R 19/52  
293/115  
2011/0181062 A1 \* 7/2011 Bernt ..... B60K 11/085  
293/102

\* cited by examiner

*Primary Examiner* — Susan Bennett Hattan

*Assistant Examiner* — Suzanne E Tisdell

(74) *Attorney, Agent, or Firm* — James Dottavio

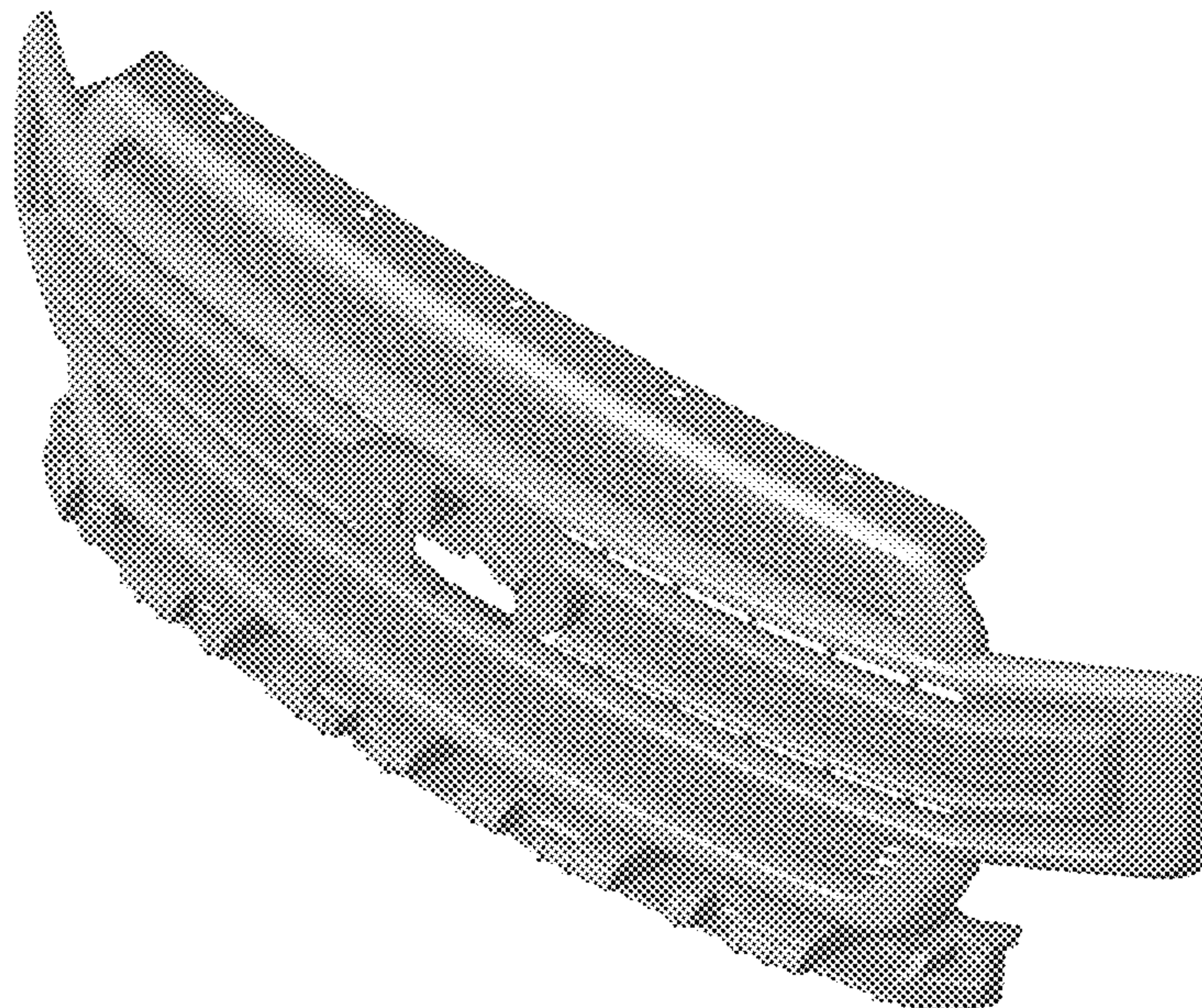
(57) **CLAIM**

The ornamental design for a vehicle front upper grille, as shown.

**DESCRIPTION**

FIG. 1 is a top left perspective view of a vehicle front upper grille, showing our new design;  
FIG. 2 is a bottom left perspective view thereof;  
FIG. 3 is a top rear perspective view thereof;  
FIG. 4 is a front elevational view thereof;  
FIG. 5 is a rear elevational view thereof;  
FIG. 6 is a left side elevational view thereof;  
FIG. 7 is a right side elevational view thereof;  
FIG. 8 is a top plan view thereof; and,  
FIG. 9 is a bottom plan view thereof.

**1 Claim, 9 Drawing Sheets**





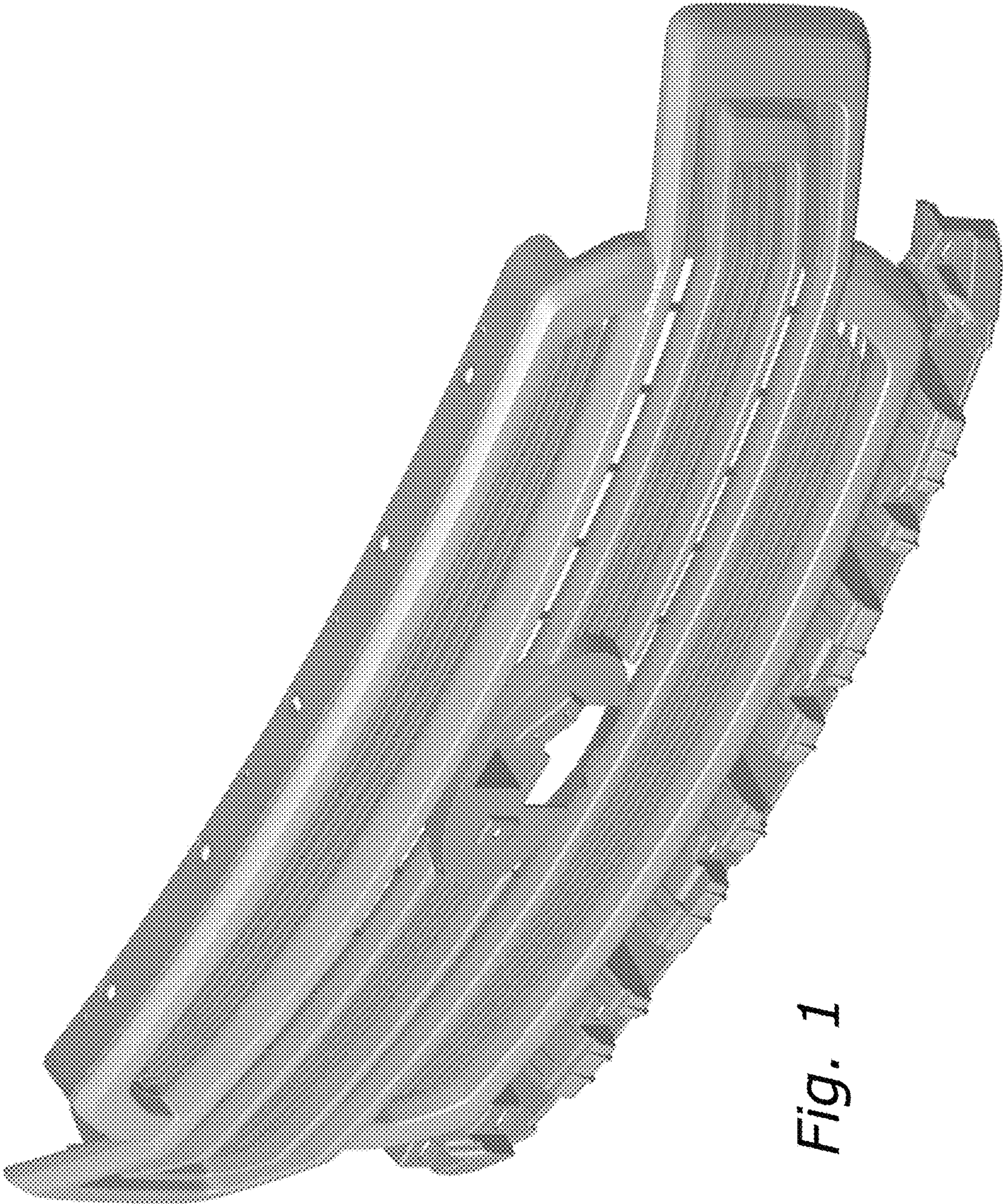


Fig. 1



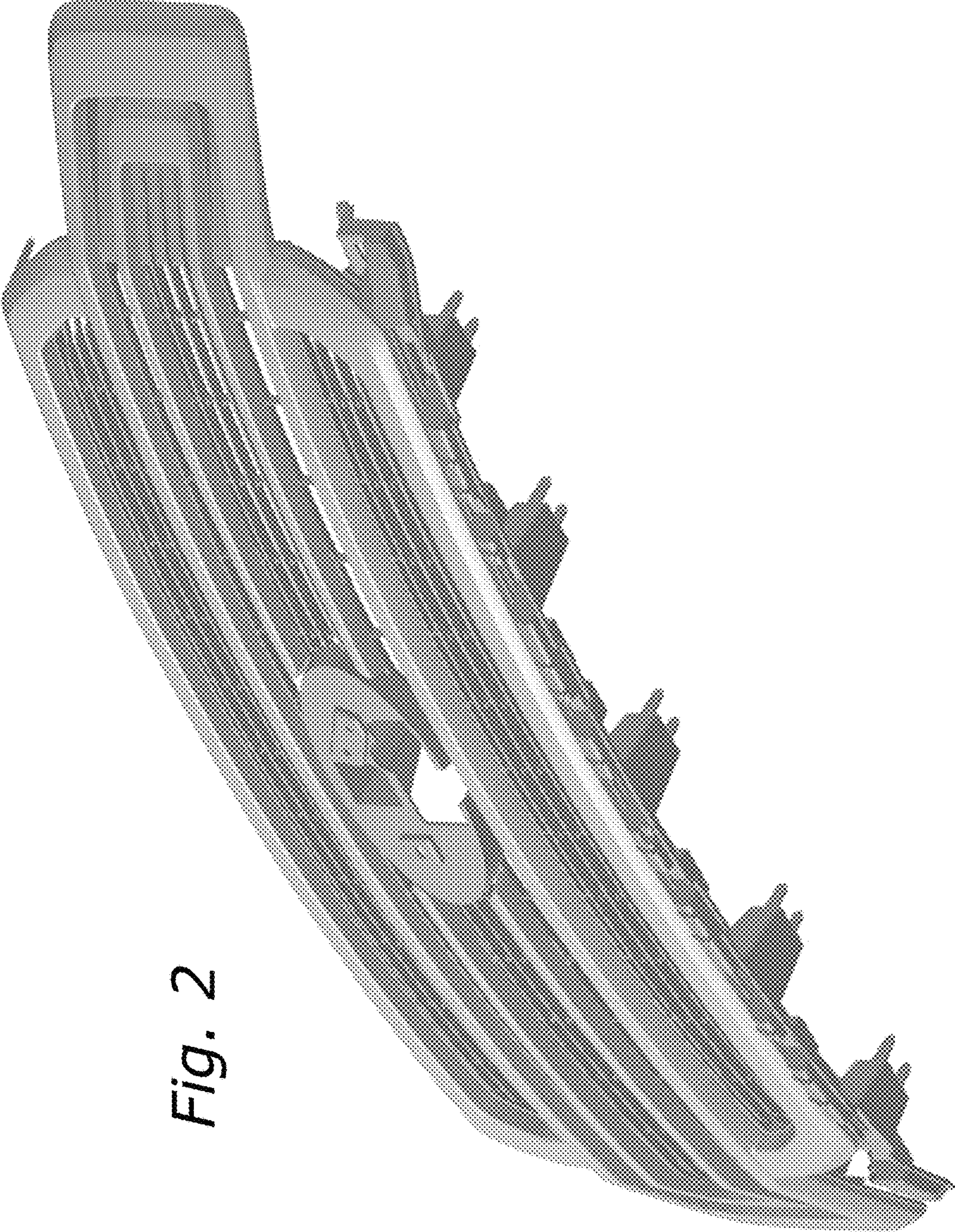


Fig. 2



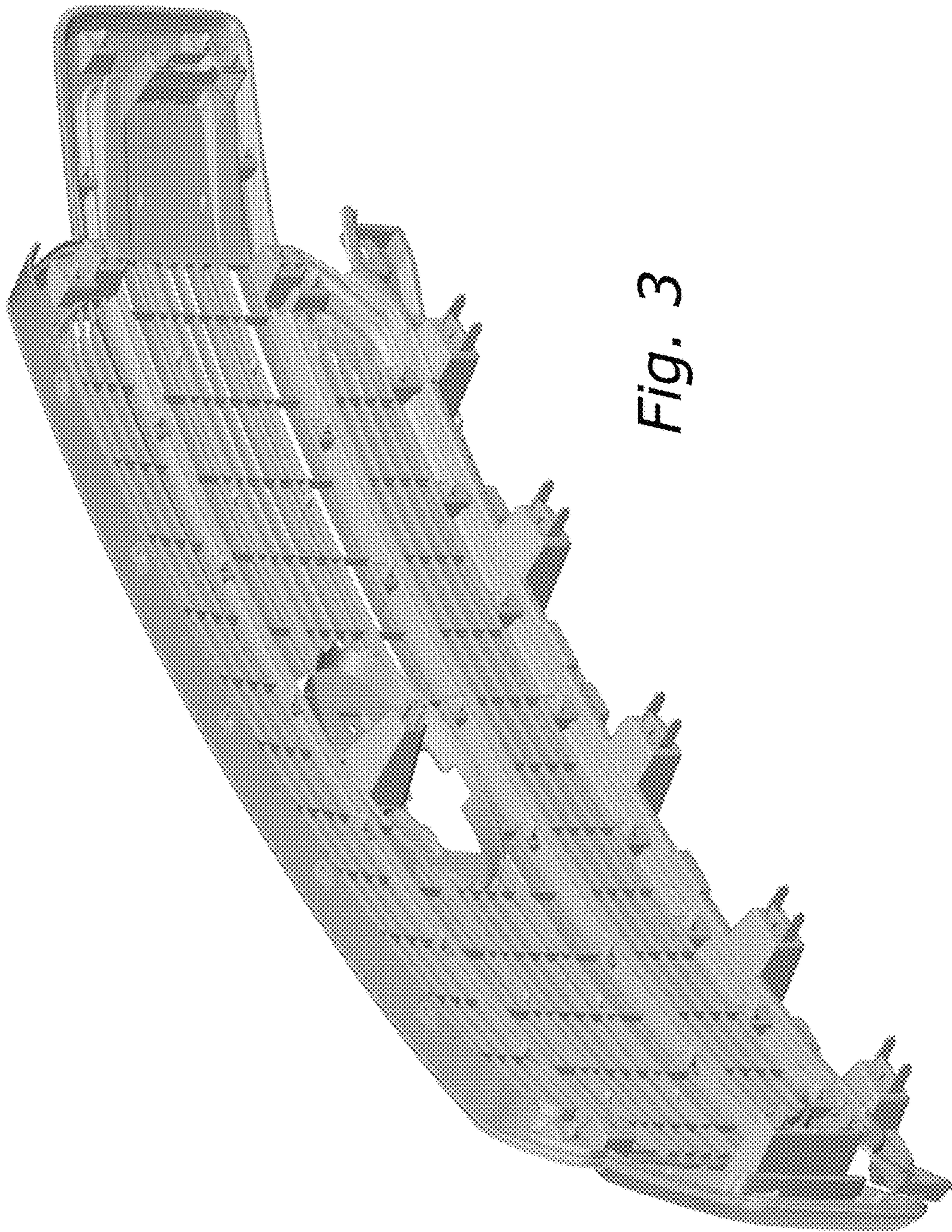


Fig. 3



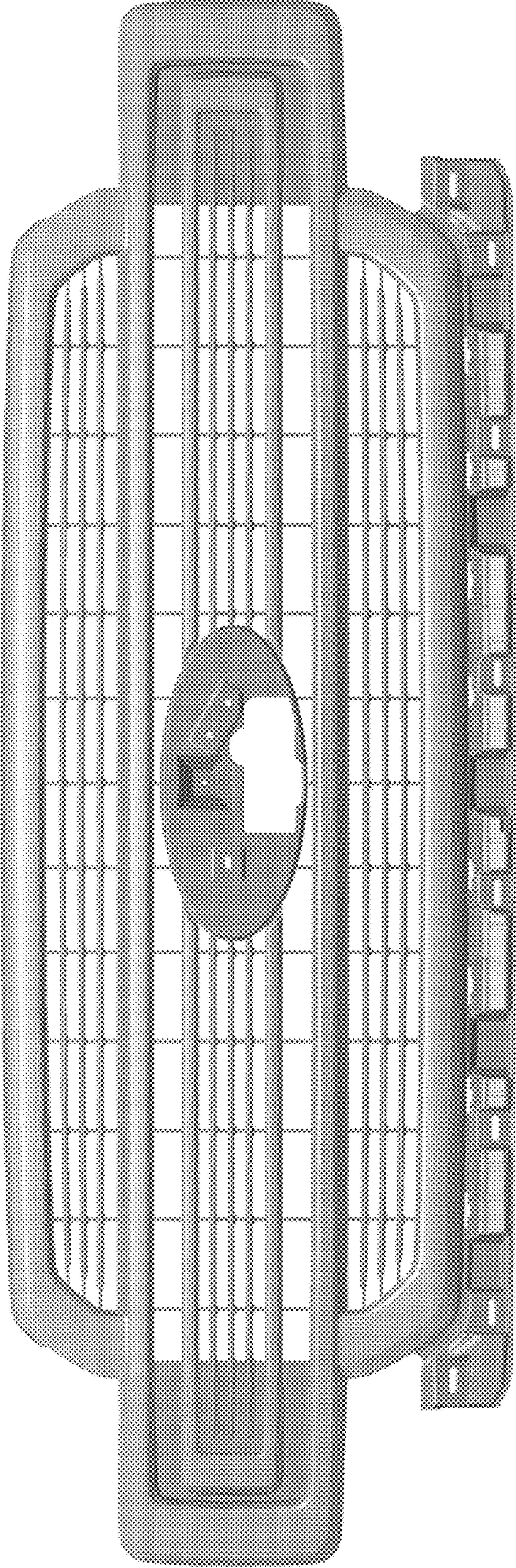


Fig. 4



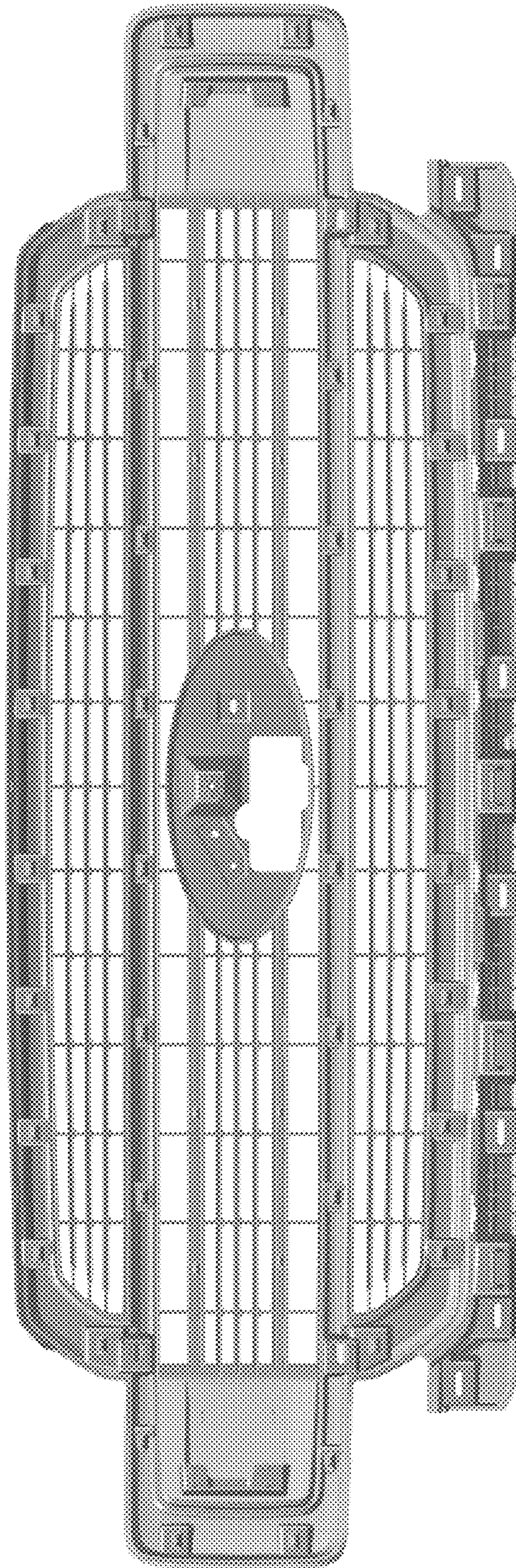
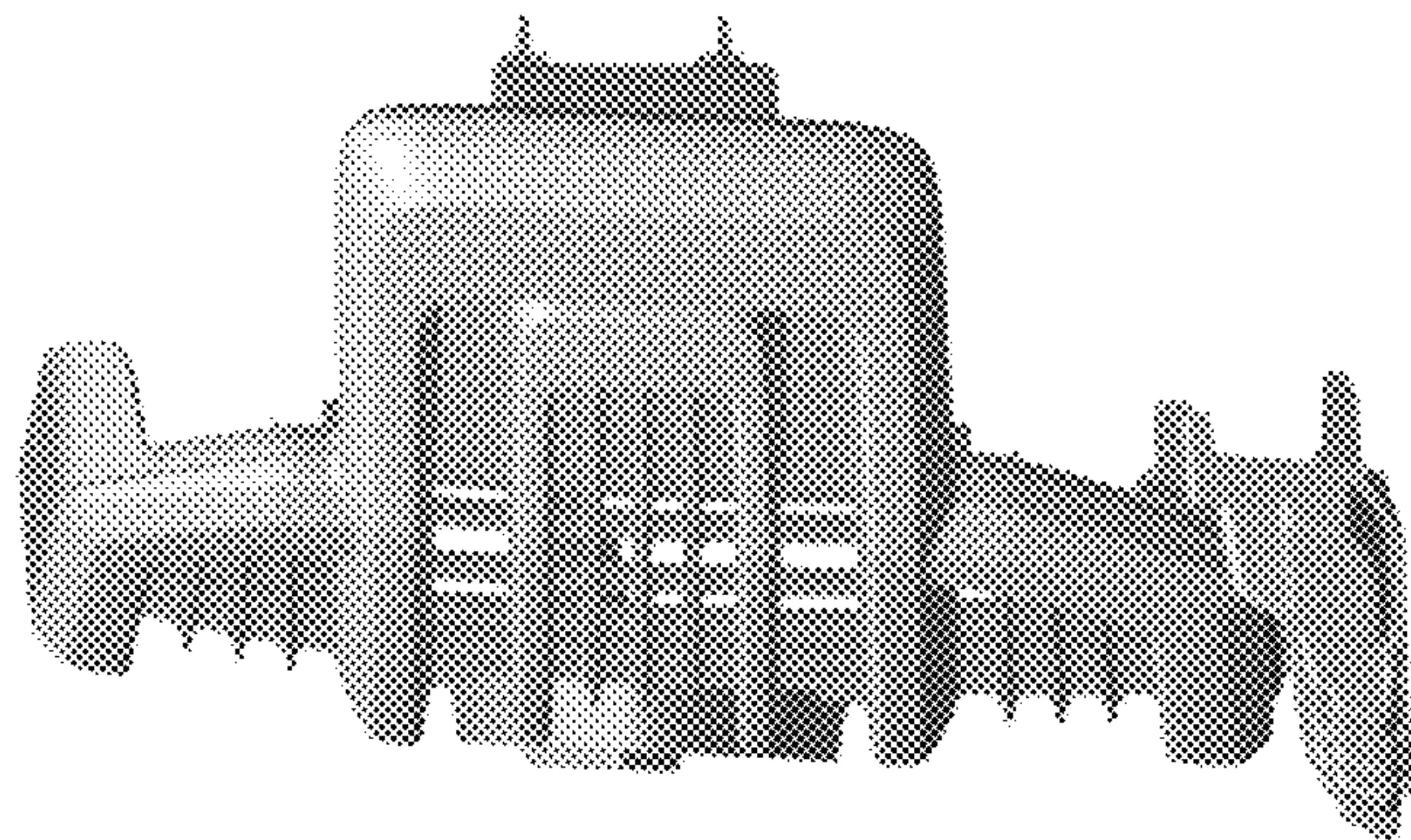


Fig. 5





*Fig. 6*

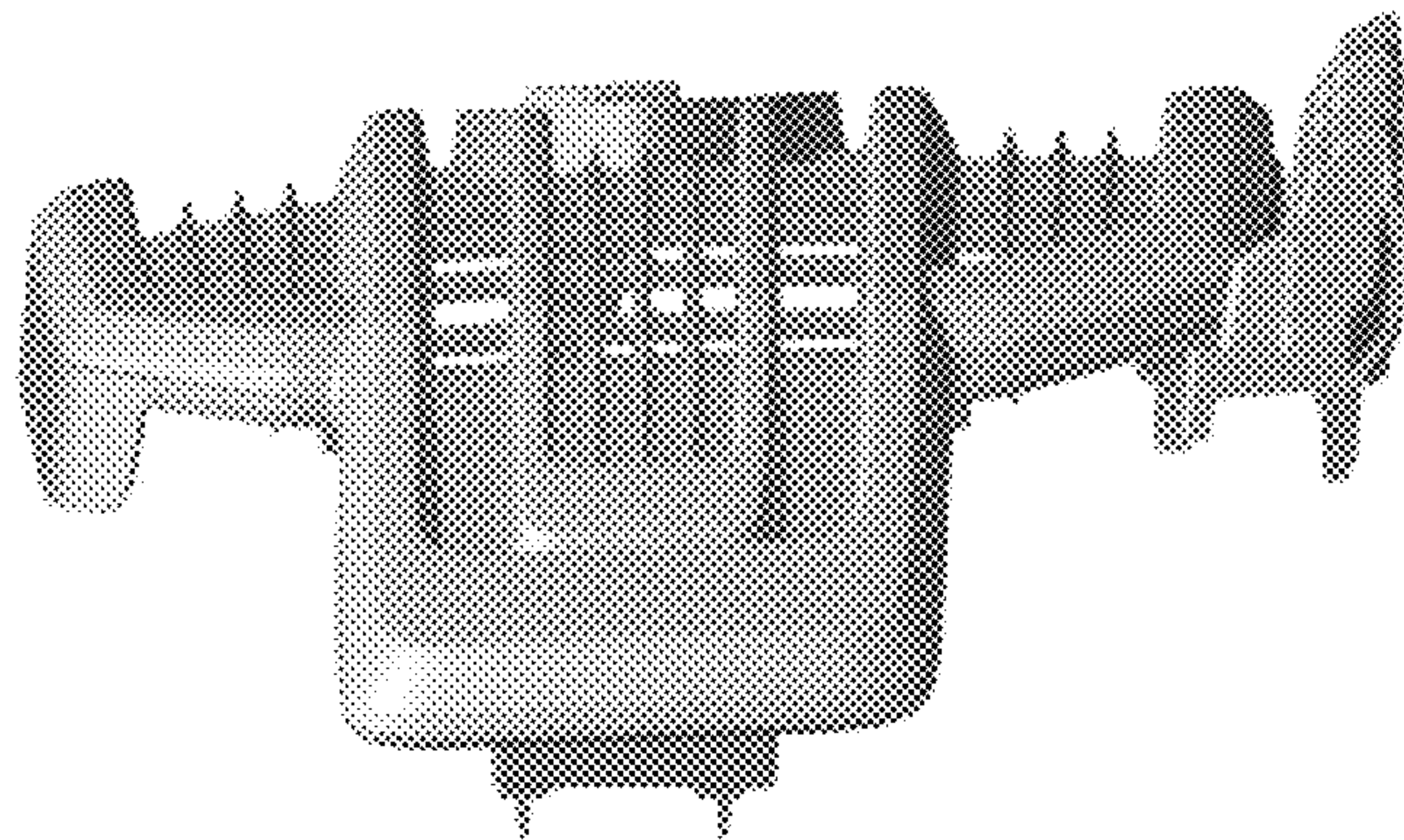


Fig. 7



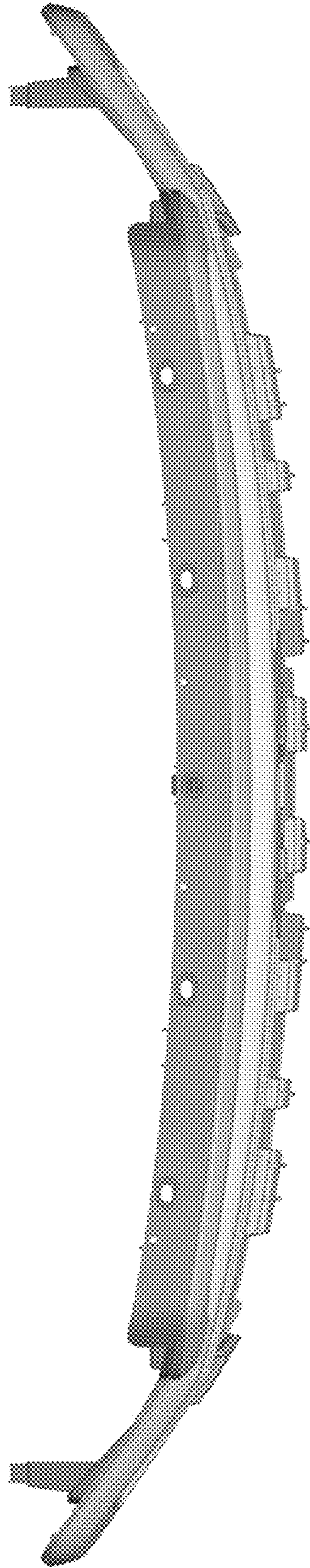


Fig. 8



*Fig. 9*

