



US00D823178S

(12) **United States Design Patent**  
**Gruber**

(10) **Patent No.:** **US D823,178 S**  
(45) **Date of Patent:** **\*\* Jul. 17, 2018**

- (54) **WHEELCHAIR HAND RIM**
- (71) Applicant: **Jason Gruber**, Tampa, FL (US)
- (72) Inventor: **Jason Gruber**, Tampa, FL (US)
- (\*\*) Term: **15 Years**
- (21) Appl. No.: **29/645,577**
- (22) Filed: **Apr. 27, 2018**
- (51) **LOC (11) Cl.** ..... **12-12**
- (52) **U.S. Cl.**  
USPC ..... **D12/133**
- (58) **Field of Classification Search**  
USPC ..... D12/128-133  
CPC ..... A61G 5/00-5/14  
See application file for complete search history.

(56) **References Cited**

U.S. PATENT DOCUMENTS

D31,565 S	9/1899	McCaslin	
D31,566 S	9/1899	McCaslin	
2,685,214 A *	8/1954	Maud	B62D 1/04 74/552
3,656,532 A *	4/1972	Roberts	B60C 3/06 152/455
4,366,964 A	1/1983	Farey	
5,944,390 A *	8/1999	Parenzuela	A61G 5/02 152/323
6,120,047 A	9/2000	Axelsson	
6,276,705 B1	8/2001	Baldwin	
7,204,503 B2 *	4/2007	Goding	A61G 5/02 280/250.1
7,303,203 B1 *	12/2007	Richter	A61G 5/02 280/250.1
D569,779 S	5/2008	Ireland	
D635,063 S	3/2011	Hildebrant	
D650,731 S *	12/2011	Chen	D12/208
D673,091 S	12/2012	Li	

D682,162 S	5/2013	Hildebrant	
D703,604 S	4/2014	Milicevic	
D721,018 S	1/2015	Jurkiewicz	
9,254,230 B2	2/2016	Filler	
D785,511 S	5/2017	Barenbrug	
9,700,468 B2	7/2017	Pilotto	
D811,505 S *	2/2018	Schwanitz	D21/771
2008/0203702 A1	8/2008	Noye	
2012/0297923 A1 *	11/2012	Richter	A61G 5/028 74/558
2013/0264791 A1	10/2013	Handel	
2014/0167489 A1	6/2014	Tho	

\* cited by examiner

*Primary Examiner* — Charles D Hanson  
(74) *Attorney, Agent, or Firm* — Larson & Larson, P.A.;  
Justin P. Miller; Frank Liebenow

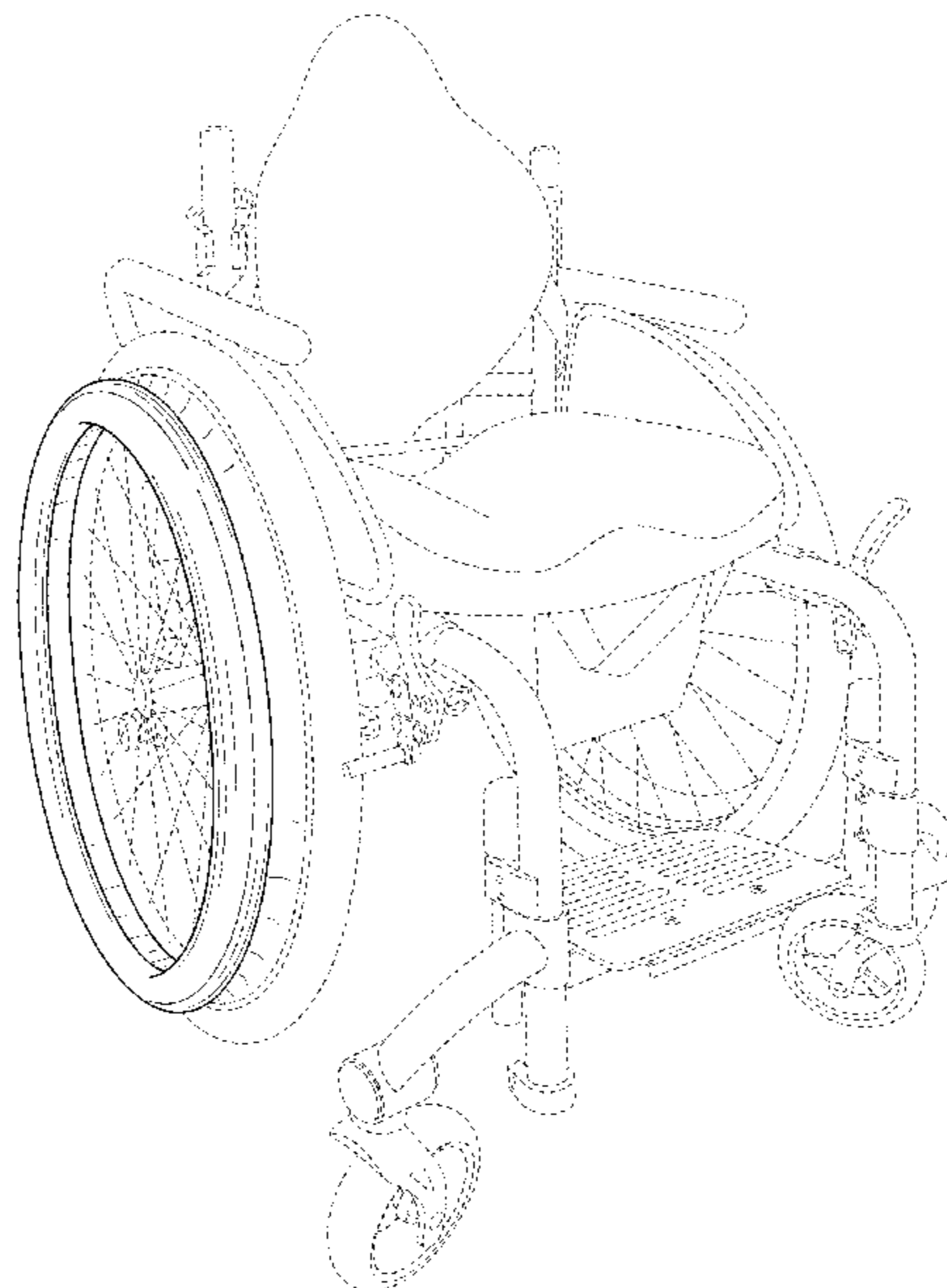
(57) **CLAIM**

I claim the ornamental design for a wheelchair hand rim, as shown and described.

**DESCRIPTION**

FIG. 1 is a perspective view of a wheelchair hand rim showing my new design;  
 FIG. 2 is a top plan view thereof;  
 FIG. 3 is a bottom plan view thereof;  
 FIG. 4 is a front elevation view thereof;  
 FIG. 5 is a back elevation view thereof;  
 FIG. 6 is a top elevation view thereof;  
 FIG. 7 is a bottom elevation view thereof;  
 FIG. 8 is a cross-sectional view thereof; and,  
 FIG. 9 is a perspective view thereof, showing the wheelchair hand rim.  
 The broken line showing in FIGS. 1-8 is included for the purpose of illustrating the bounds of the claim and forms no part of the claimed design.

**1 Claim, 5 Drawing Sheets**



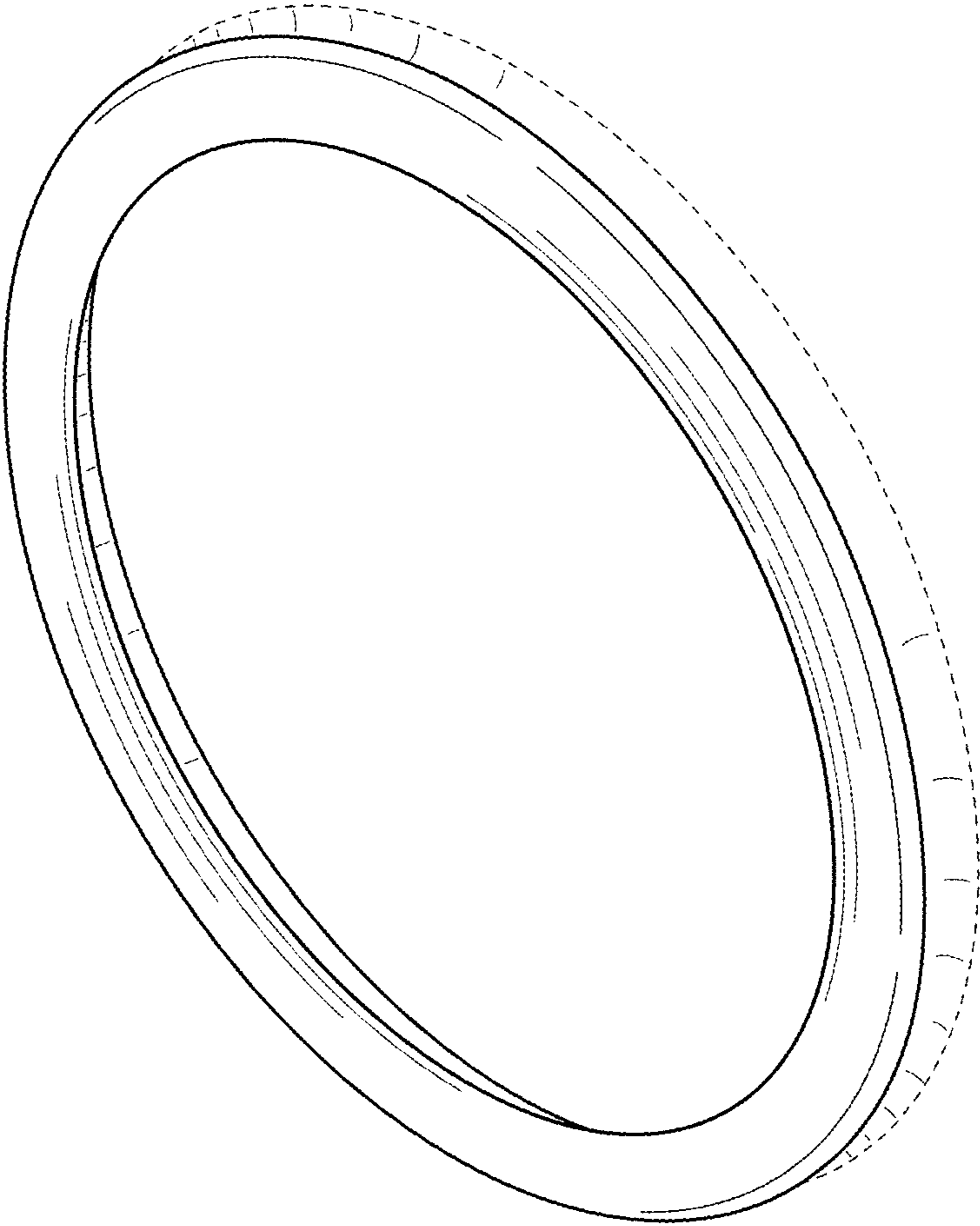


FIG. 1

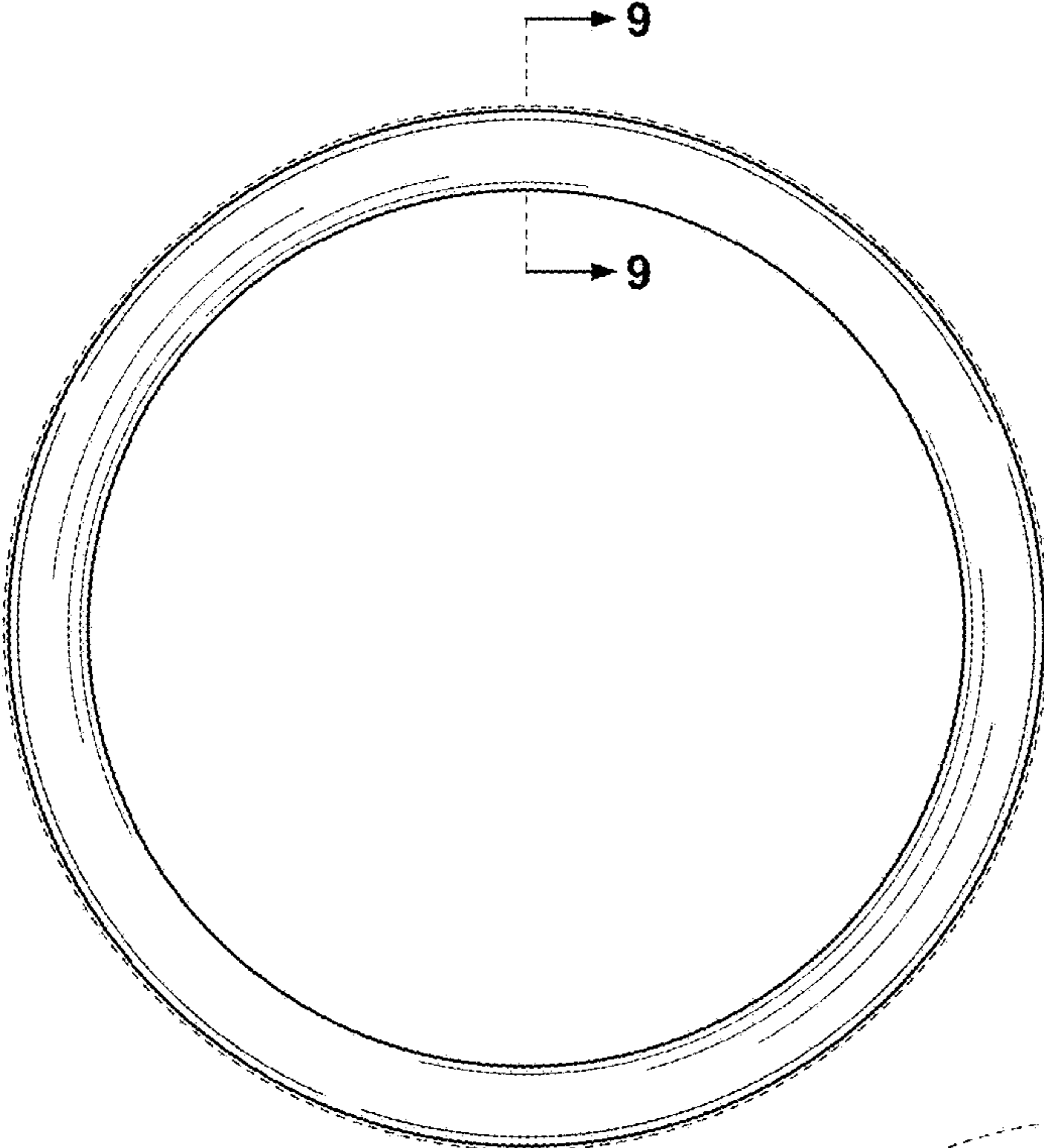


FIG. 2

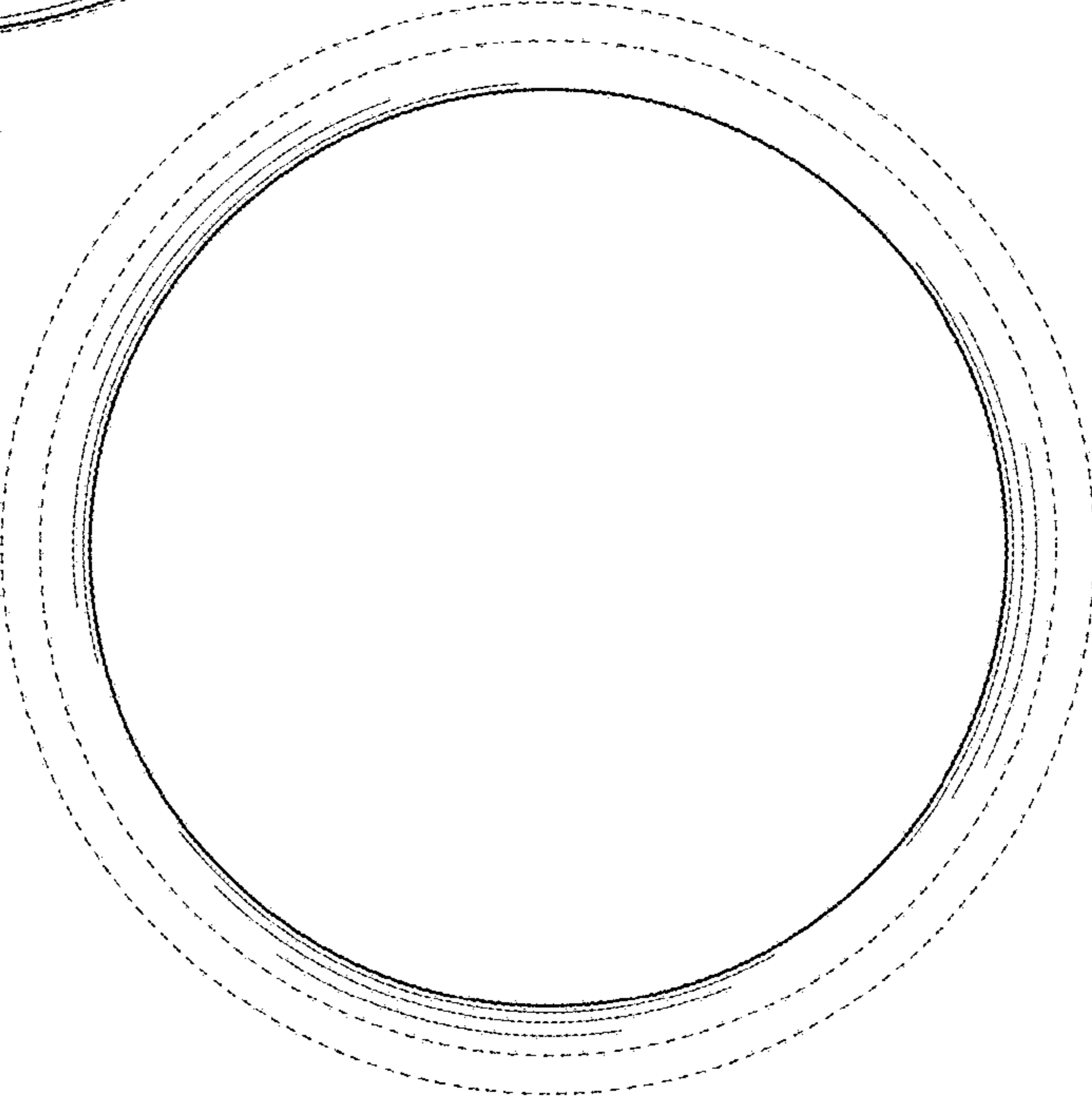


FIG. 3

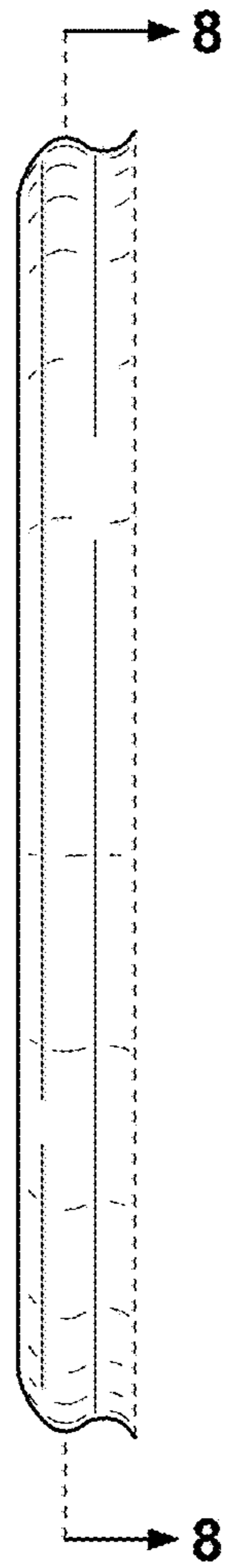


FIG. 4

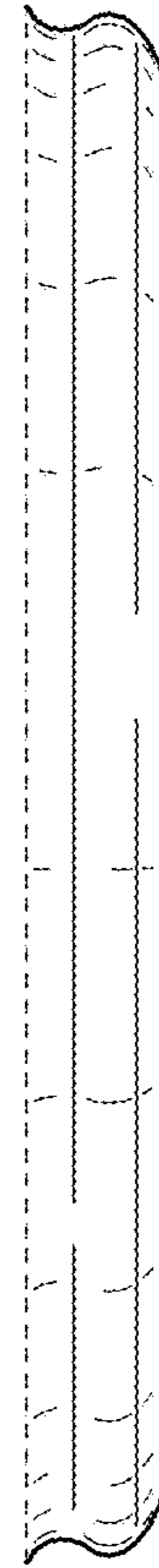


FIG. 5

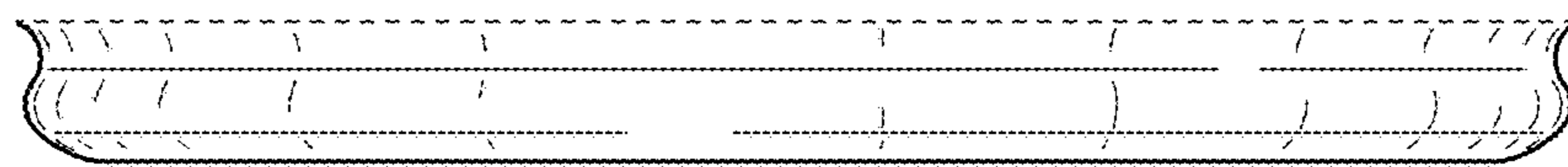


FIG. 6

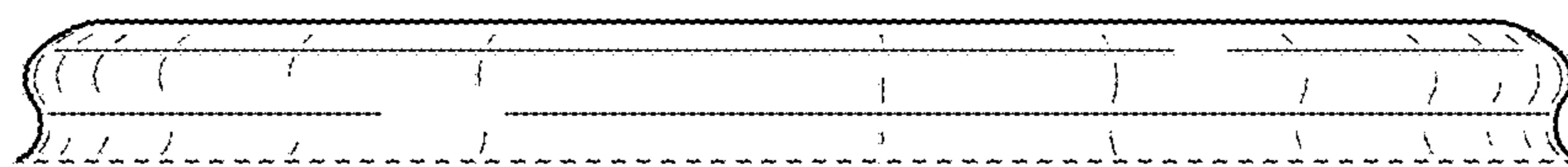


FIG. 7

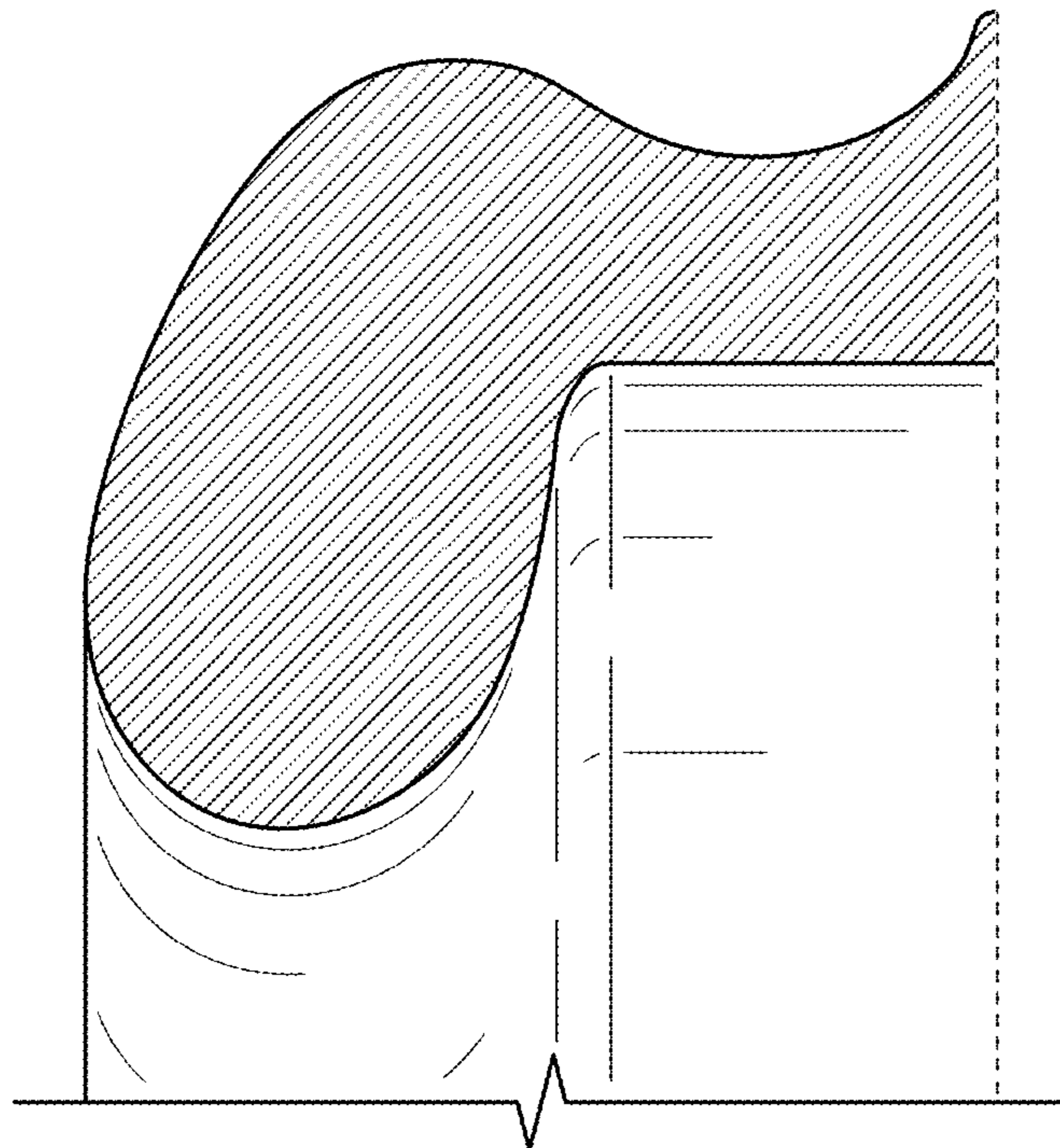


FIG. 8



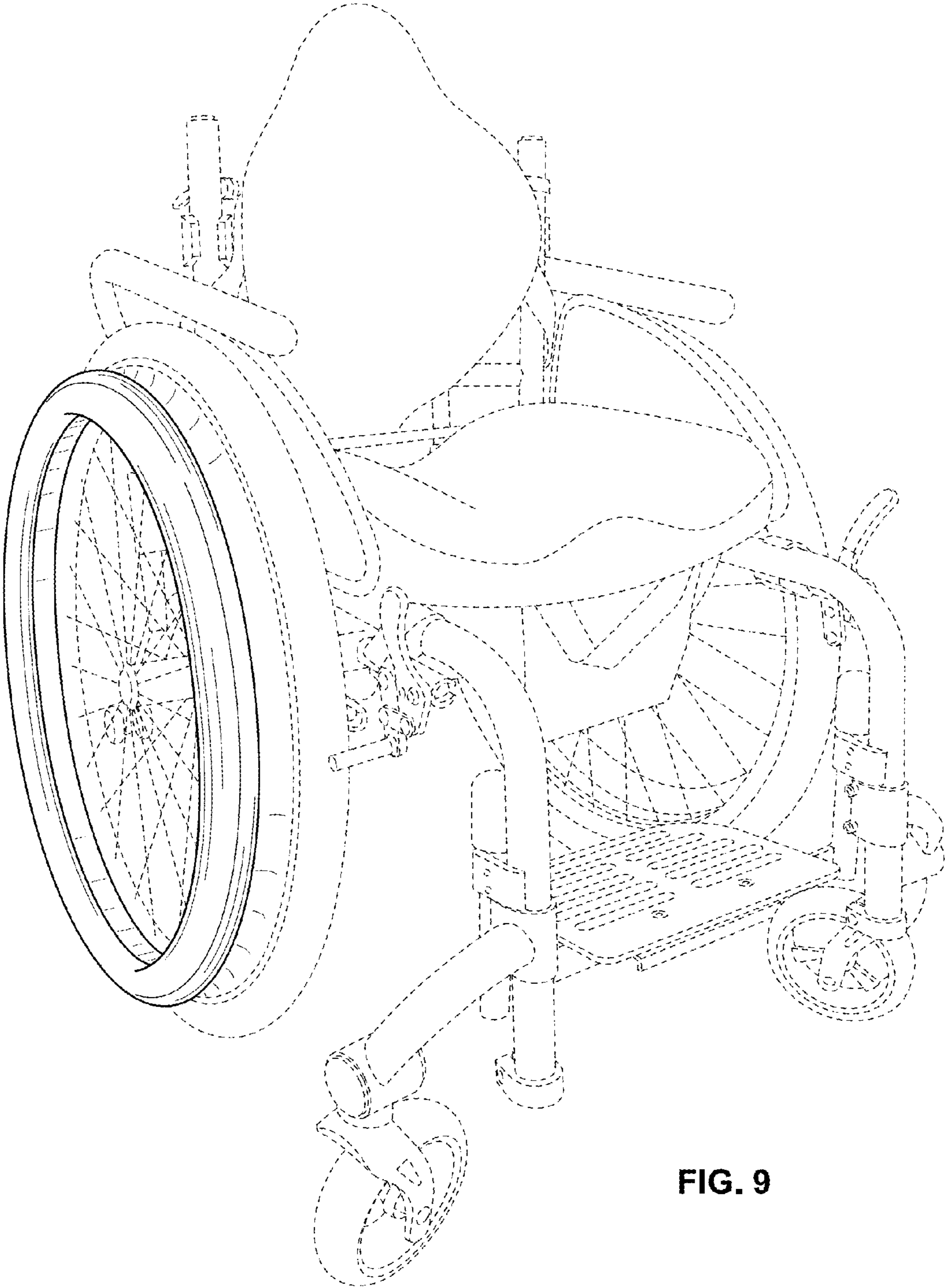


FIG. 9