



US00D823177S

(12) **United States Design Patent**
Wills et al.

(10) **Patent No.:** **US D823,177 S**
(45) **Date of Patent:** **** Jul. 17, 2018**

(54) **SHOWER CHAIR**

(71) Applicant: **NOTTINGHAM REHAB LIMITED,**
Leicestershire (GB)

(72) Inventors: **Miles Wills,** Nottinghamshire (GB);
Guy Cooper, Derbyshire (GB);
Stephen Carnelly, Leicestershire (GB);
Susan Bevan, Leicestershire (GB)

(73) Assignee: **NOTTINGHAM REHAB LIMITED,**
Leicestershire (GB)

(**) Term: **15 Years**

(21) Appl. No.: **29/604,056**

(22) Filed: **May 15, 2017**

(51) **LOC (11) Cl.** **12-12**

(52) **U.S. Cl.**
USPC **D12/133**

(58) **Field of Classification Search**
USPC **D12/129-133**

(Continued)

(56) **References Cited**

U.S. PATENT DOCUMENTS

- 4,150,445 A * 4/1979 Bailey A47K 3/122
4/546
- 5,740,563 A * 4/1998 Gaddy A47K 3/122
297/344.21

(Continued)

Primary Examiner — Charles D Hanson

(74) *Attorney, Agent, or Firm* — DeLio, Peterson &
Curcio, LLC; Thoms E. Ciesco

(57) **CLAIM**

The ornamental design for a “shower chair,” as shown and described.

DESCRIPTION

FIG. 1 is a right front top perspective view of the “shower chair” design according to our invention;

FIG. 2 is a rear left perspective view of the “shower chair” shown in FIG. 1;

FIG. 3 is a front elevational view of the “shower chair” shown in FIG. 1;

FIG. 4 is a rear elevational view of the “shower chair” shown in FIG. 1;

FIG. 5 is a left elevational view of the “shower chair” shown in FIG. 1;

FIG. 6 is a top elevational view of the “shower chair” design shown in FIG. 1;

FIG. 7 is a bottom elevational view of the “shower chair” design shown in FIG. 1;

FIG. 8 is a right front top perspective view of the “shower chair” design attached to a stand drawn in phantom lines according to our invention;

FIG. 9 is a right front top perspective view of the “shower chair” design according to our invention;

FIG. 10 is a rear left perspective view of a second embodiment of the “shower chair” shown in FIG. 9;

FIG. 11 is a front elevational view of the second embodiment of the “shower chair” shown in FIG. 9;

FIG. 12 is a rear elevational view of the second embodiment of the “shower chair” shown in FIG. 9;

FIG. 13 is a left elevational view of the second embodiment of the “shower chair” shown in FIG. 9;

FIG. 14 is a top elevational view of the second embodiment of the “shower chair” design shown in FIG. 9;

FIG. 15 is a bottom elevational view of the second embodiment of the “shower chair” design shown in FIG. 9;

FIG. 16 is a right front top perspective view of the second embodiment of the “shower chair” design attached to a stand drawn in phantom lines according to our invention;

FIG. 17 is a right front top perspective view of a third embodiment of the “shower chair” design according to our invention;

FIG. 18 is a rear left perspective view of a third embodiment of the “shower chair” shown in FIG. 17;

FIG. 19 is a front elevational view of the third embodiment of the “shower chair” shown in FIG. 17;

FIG. 20 is a rear elevational view of the third embodiment of the “shower chair” shown in FIG. 17;

FIG. 21 is a left elevational view of the third embodiment of the “shower chair” shown in FIG. 17;

(Continued)

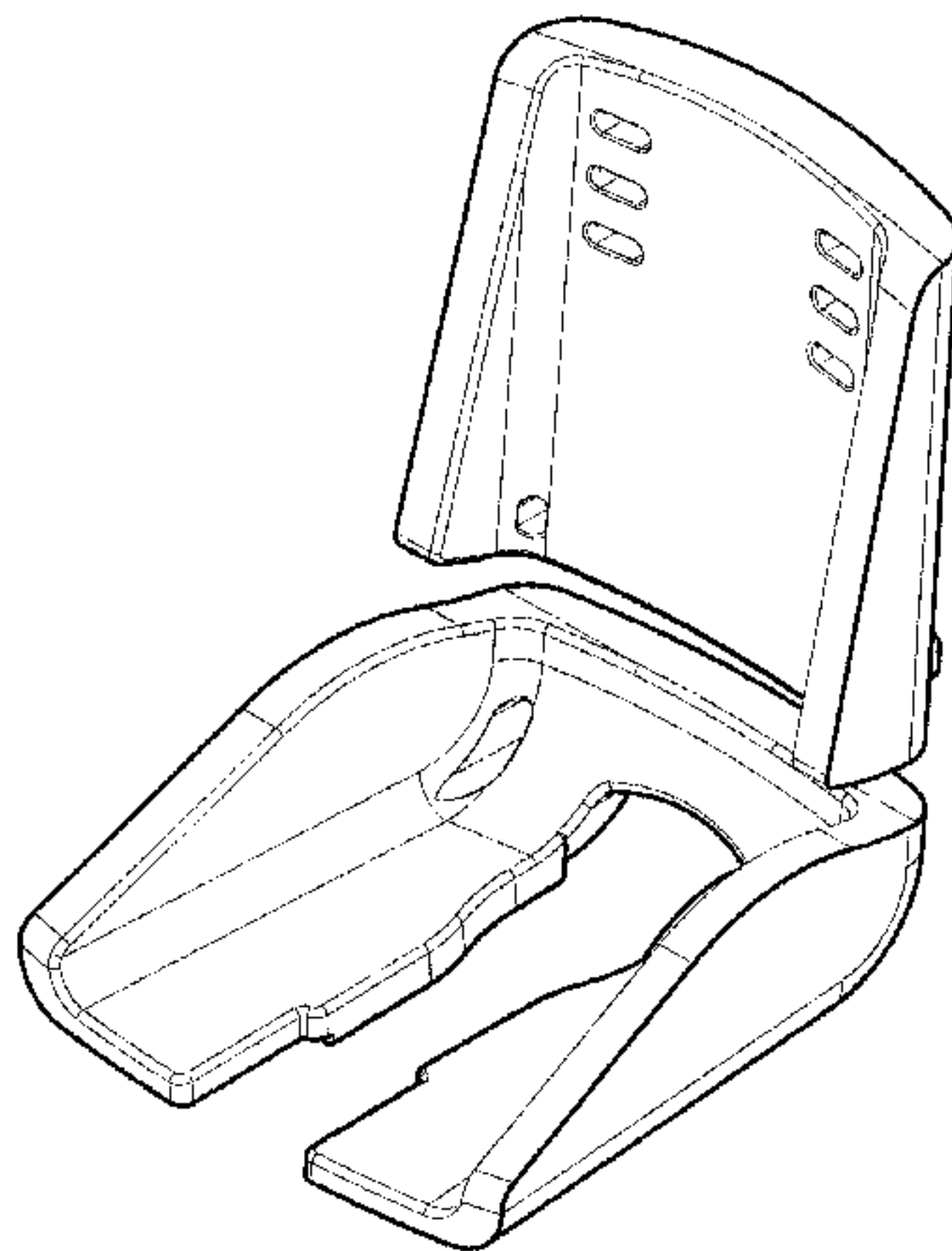


FIG. 22 is a top elevational view of the third embodiment of the “shower chair” design shown in FIG. 17;
 FIG. 23 is a bottom elevational view of the third embodiment of the “shower chair” design shown in FIG. 17;
 FIG. 24 is a right front top perspective view of the third embodiment of the “shower chair” design attached to a stand drawn in phantom lines according to our invention;
 FIG. 25 is a right front top perspective view of a fourth embodiment of the “shower chair” design according to our invention;
 FIG. 26 is a rear left perspective view of a fourth embodiment of the “shower chair” shown in FIG. 25;
 FIG. 27 is a front elevational view of the fourth embodiment of the “shower chair” shown in FIG. 25;
 FIG. 28 is a rear elevational view of the fourth embodiment of the “shower chair” shown in FIG. 25;
 FIG. 29 is a left elevational view of the fourth embodiment of the “shower chair” shown in FIG. 25;
 FIG. 30 is a top elevational view of the fourth embodiment of the “shower chair” design shown in FIG. 25;
 FIG. 31 is a bottom elevational view of the fourth embodiment of the “shower chair” design shown in FIG. 25;
 FIG. 32 is a right front top perspective view of the fourth embodiment of the “shower chair” design attached to a stand drawn in phantom lines according to our invention;
 FIG. 33 is a right front top perspective view of a fifth embodiment of the “shower chair” design according to our invention;
 FIG. 34 is a rear left perspective view of a fifth embodiment of the “shower chair” shown in FIG. 33;
 FIG. 35 is a front elevational view of the fifth embodiment of the “shower chair” shown in FIG. 33;
 FIG. 36 is a rear elevational view of the fifth embodiment of the “shower chair” shown in FIG. 33;
 FIG. 37 is a left elevational view of the fifth embodiment of the “shower chair” shown in FIG. 33;
 FIG. 38 is a top elevational view of the fifth embodiment of the “shower chair” design shown in FIG. 33;

FIG. 39 is a bottom elevational view of the fifth embodiment of the “shower chair” design shown in FIG. 33; and,
 FIG. 40 is a right front top perspective view of the fifth embodiment of the “shower chair” design attached to a stand drawn in phantom lines according to our invention. Portions of the shower chair are shown in phantom lines and form no part of the design.

1 Claim, 40 Drawing Sheets

(58) **Field of Classification Search**

CPC ... A61G 5/00–5/14; A47K 3/02; A47K 3/022;
 A47K 3/12
 See application file for complete search history.

(56) **References Cited**

U.S. PATENT DOCUMENTS

6,681,415	B1 *	1/2004	Gallo	A47K 3/122 297/423.3
9,168,193	B1 *	10/2015	Simi	A61G 7/1005
D800,877	S *	10/2017	Uche	D23/299
2007/0101487	A1 *	5/2007	Major	A47K 11/04 4/480
2010/0031433	A1 *	2/2010	Storm	A61G 5/1002 4/444
2010/0043134	A1 *	2/2010	Burkholder	A47K 3/022 4/560.1
2010/0148542	A1 *	6/2010	Zidulka	A61G 5/1059 297/174 R
2011/0258771	A1 *	10/2011	Hammer	A61G 5/1002 4/667
2012/0030867	A1 *	2/2012	Wang	A61H 3/04 4/237
2014/0250587	A1 *	9/2014	Alsaffar	A47K 7/046 4/615
2015/0328069	A1 *	11/2015	Staggs	A61G 5/1037 4/604

* cited by examiner

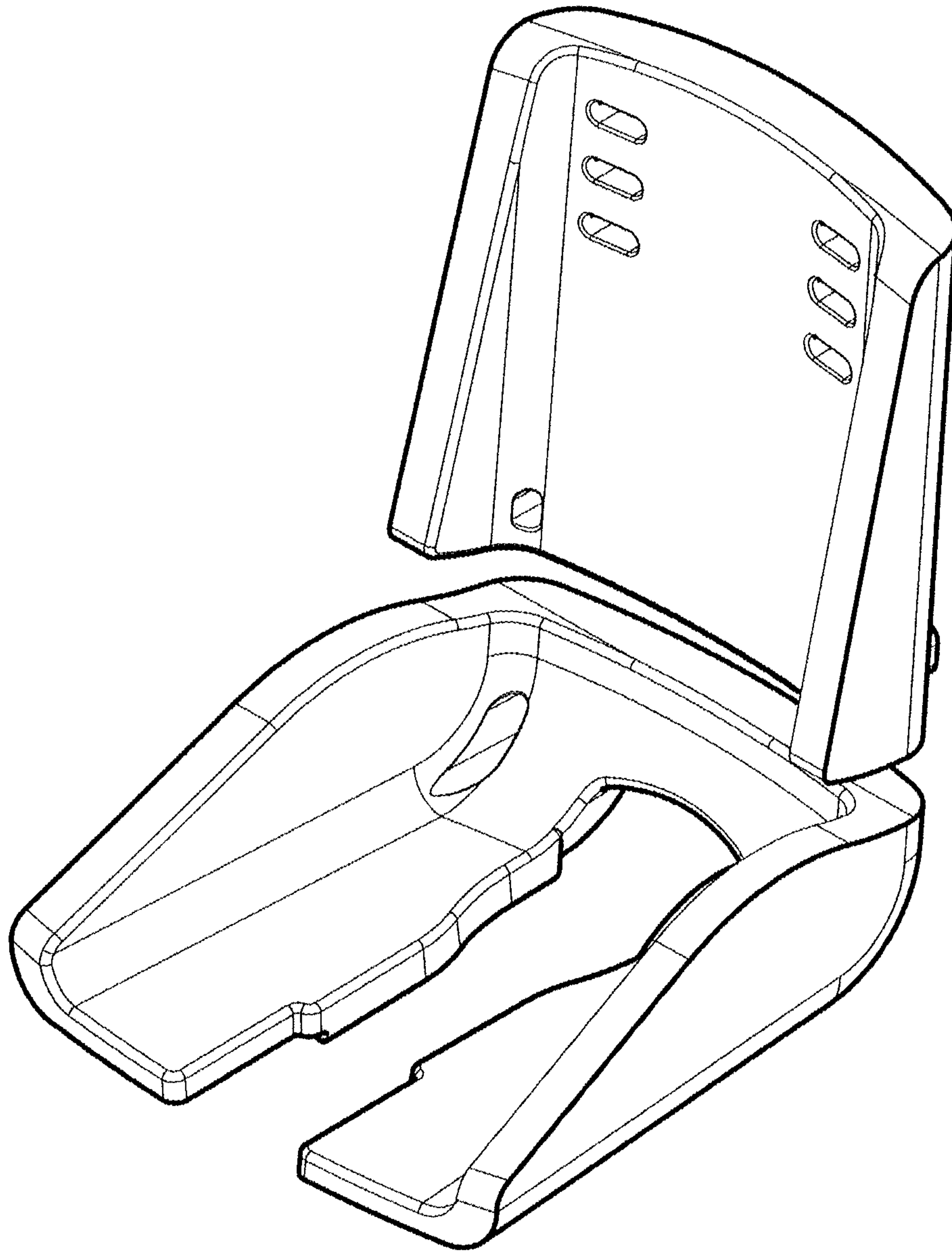


FIG. 1

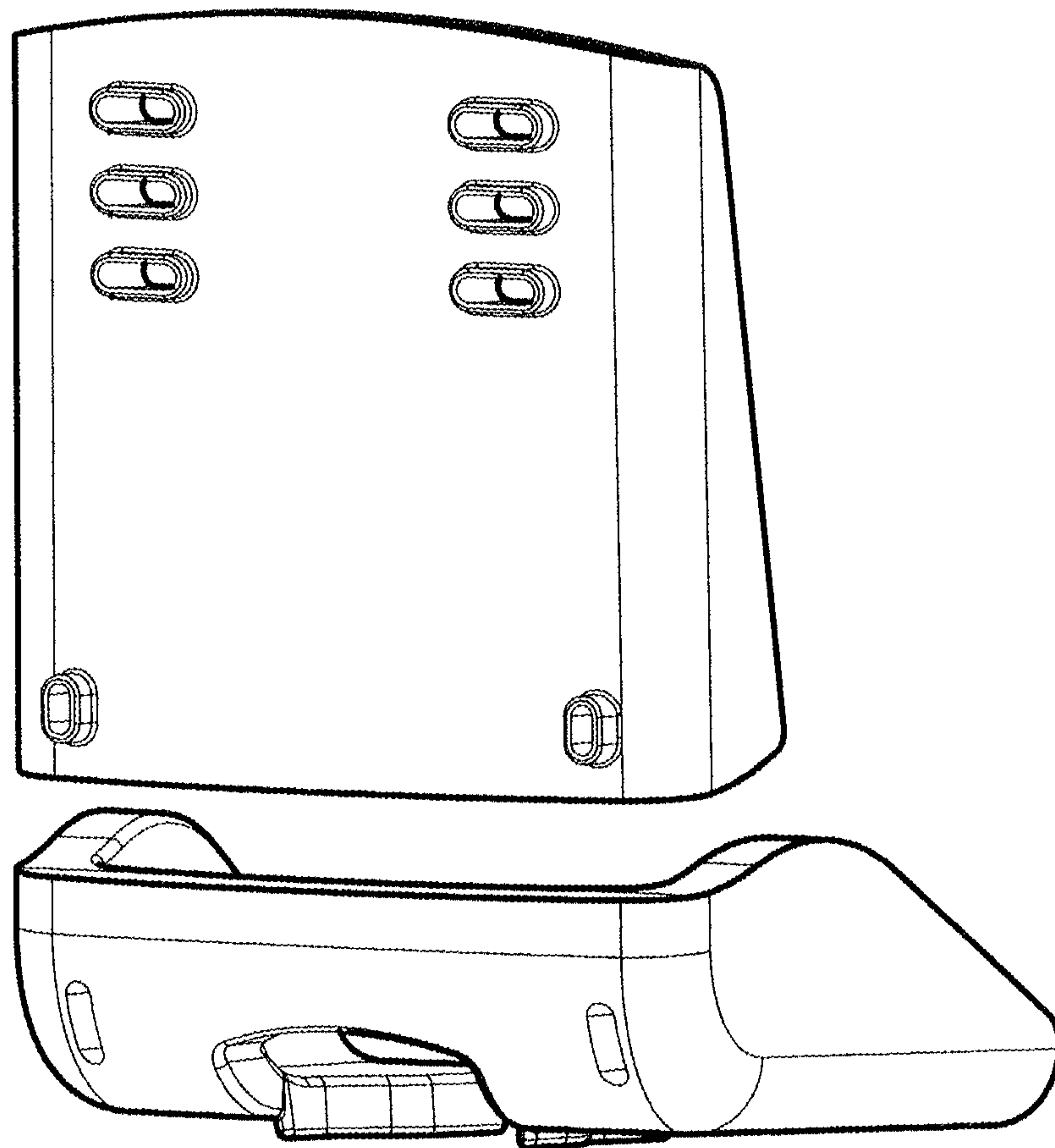


FIG. 2

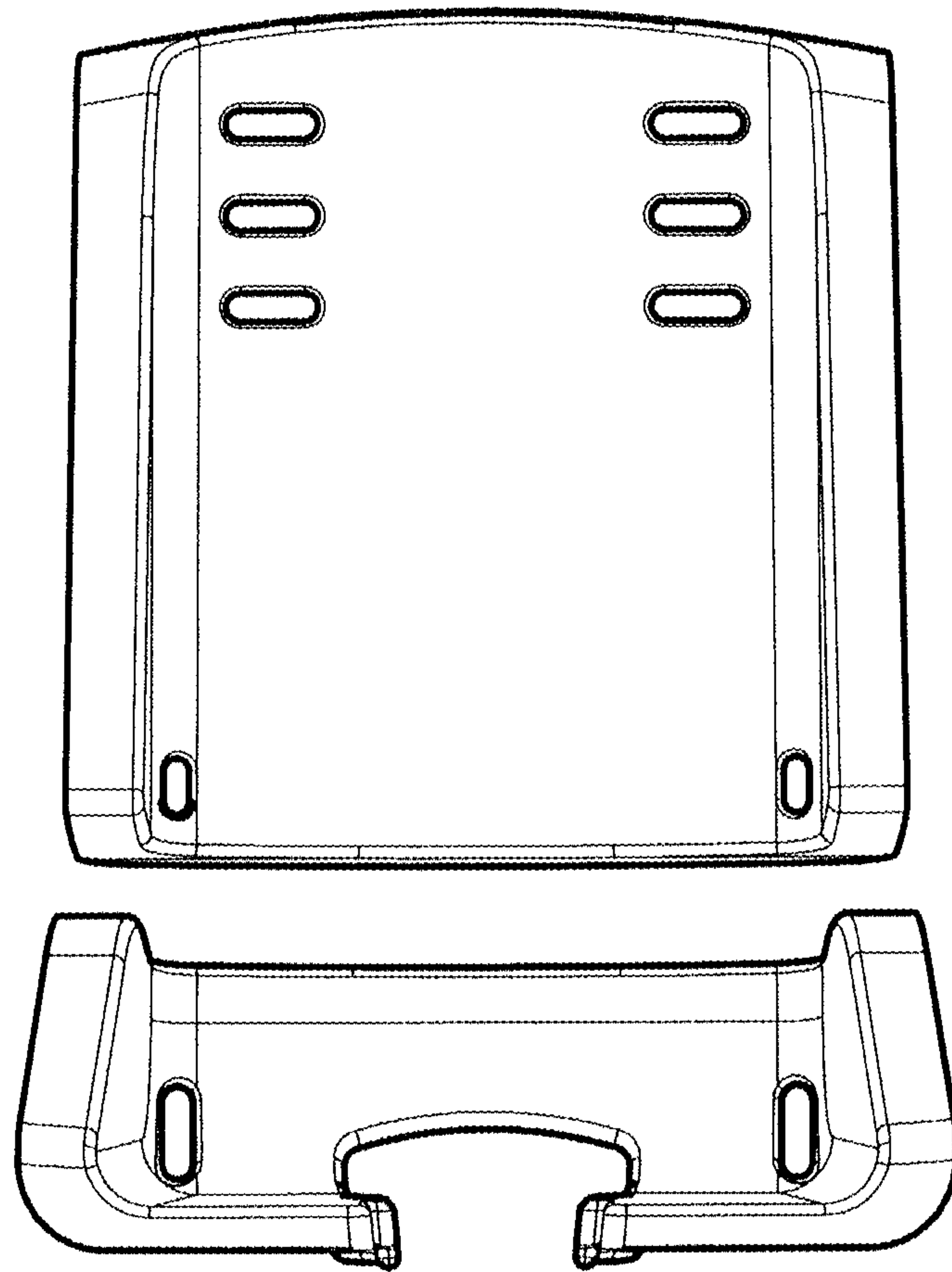


FIG. 3

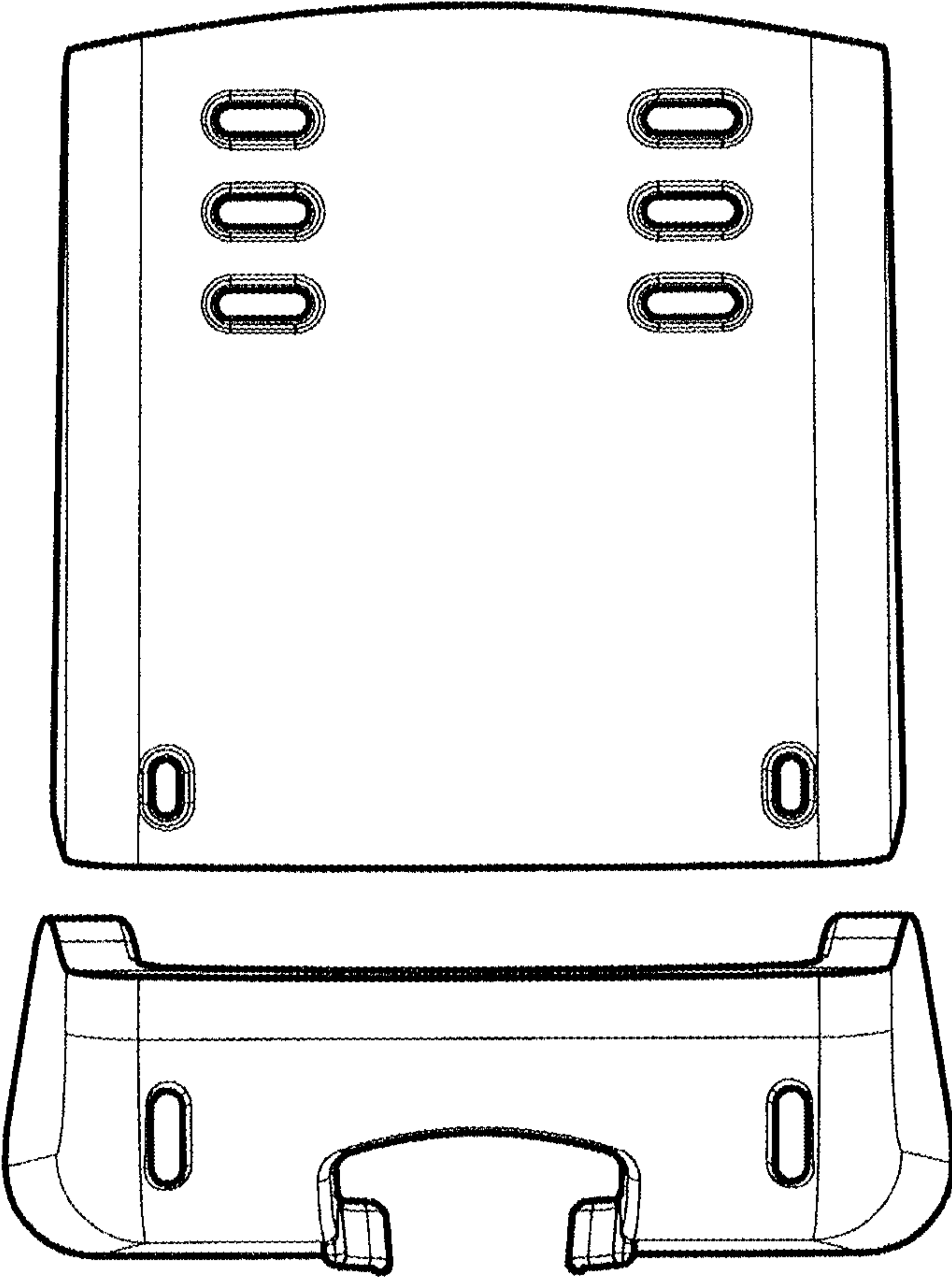


FIG. 4

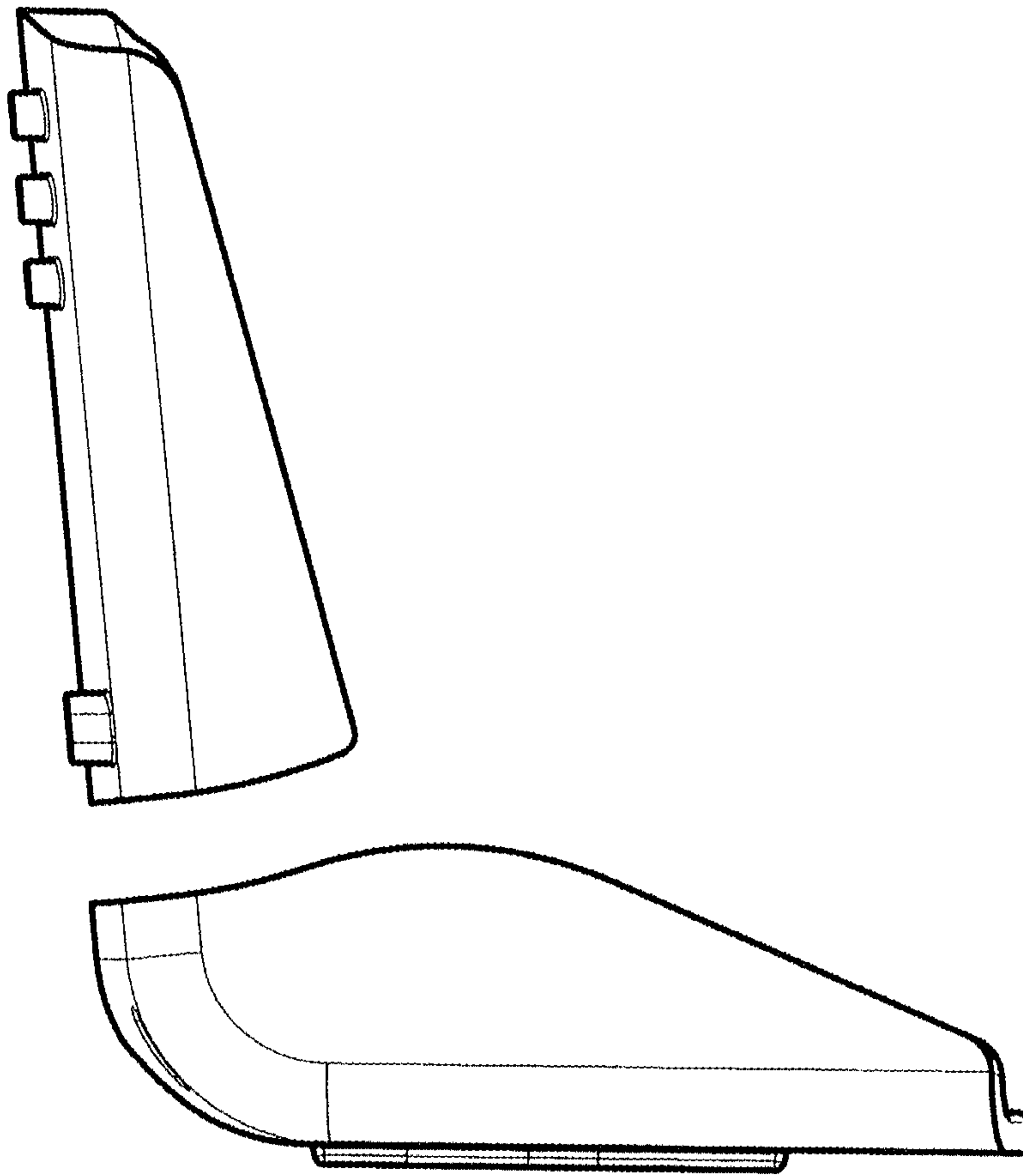


FIG. 5

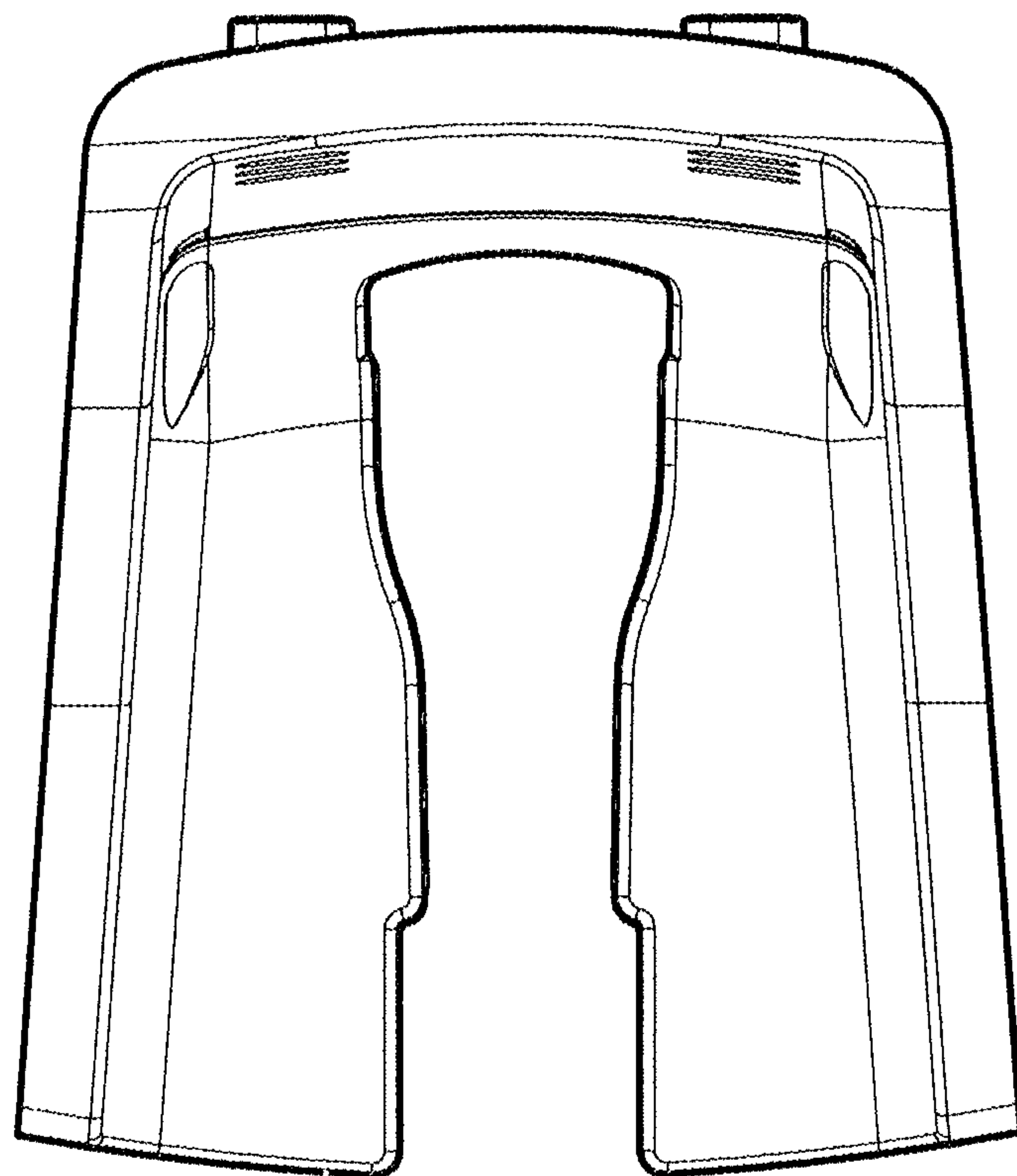


FIG. 6

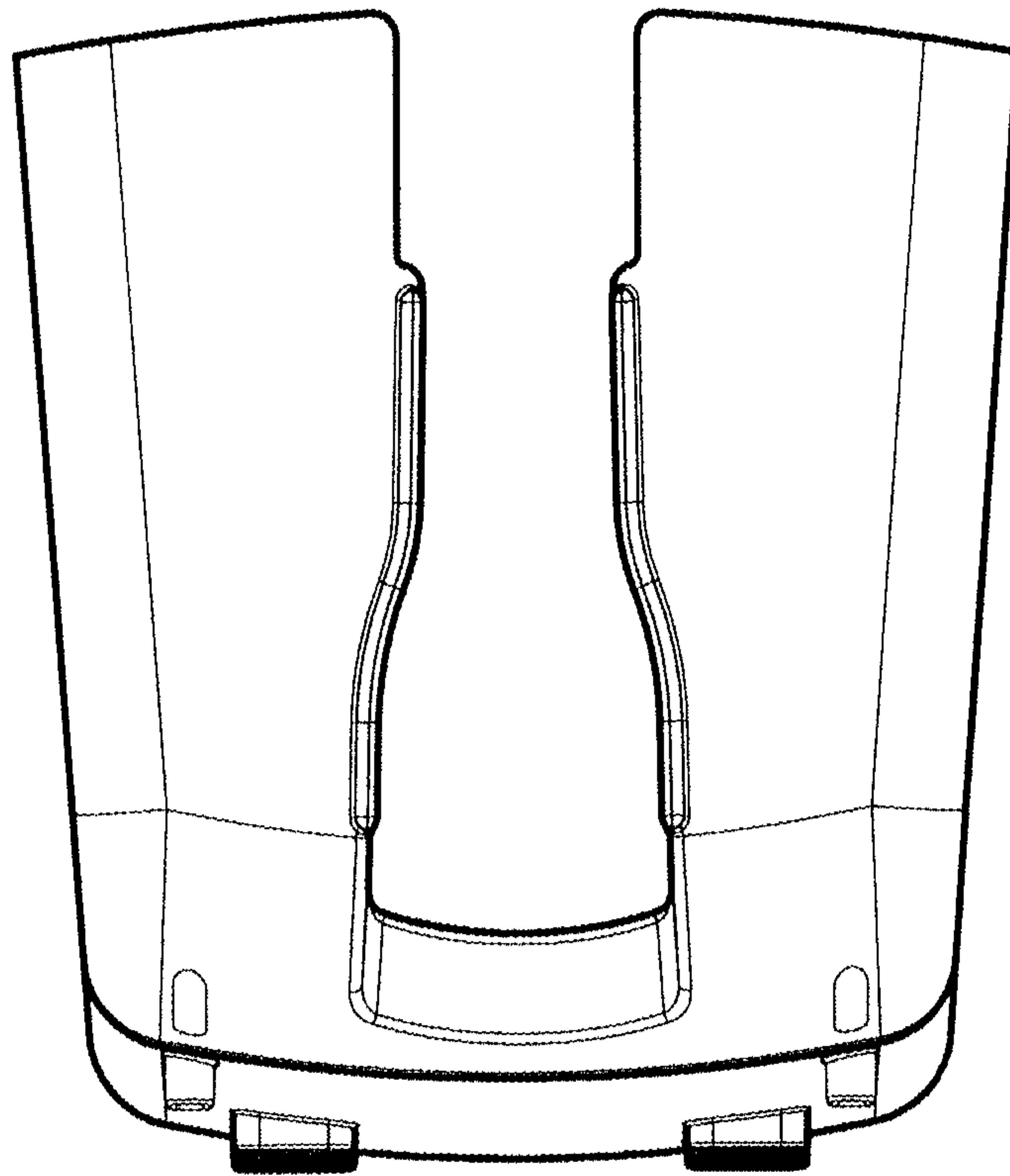


FIG. 7

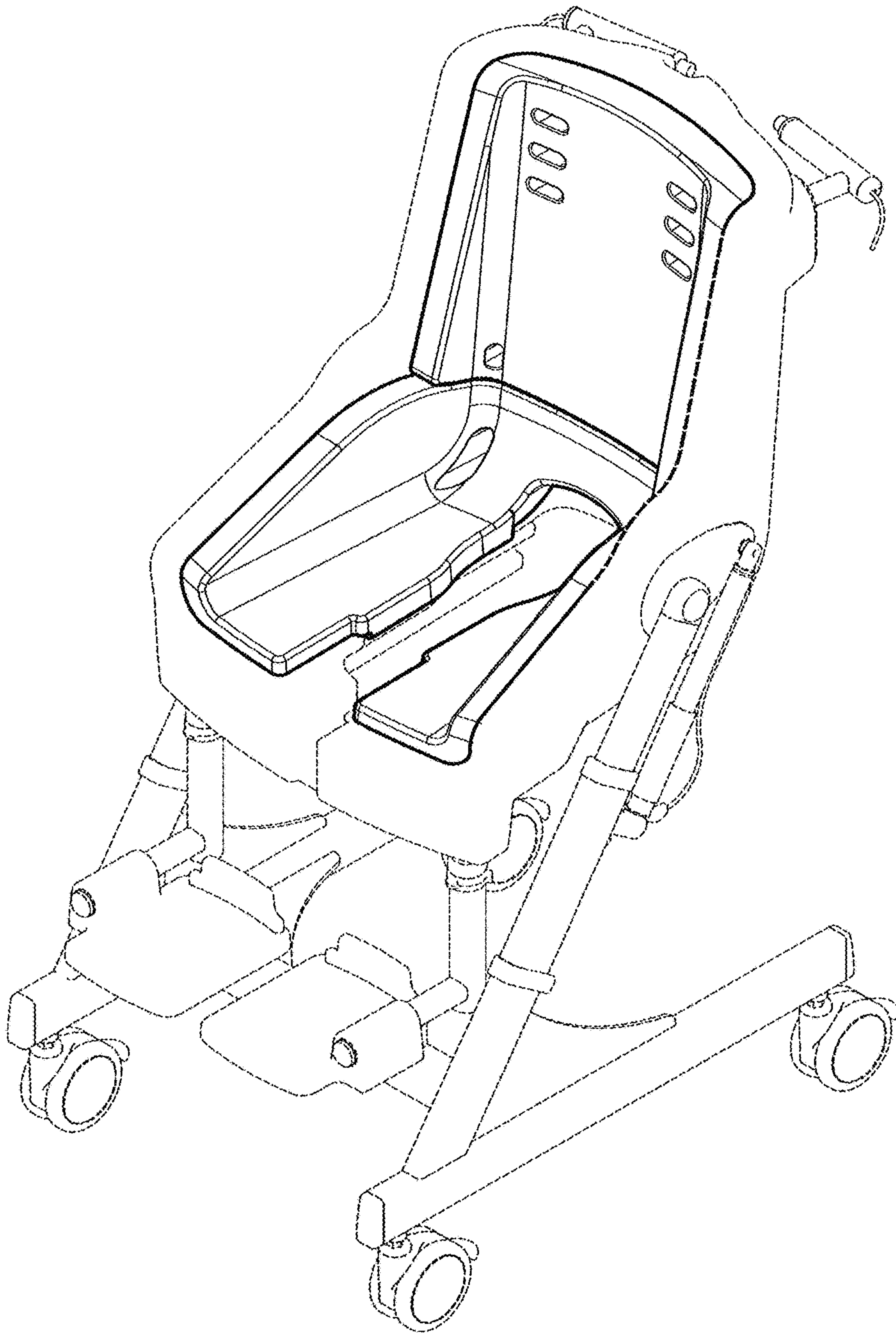


FIG. 8

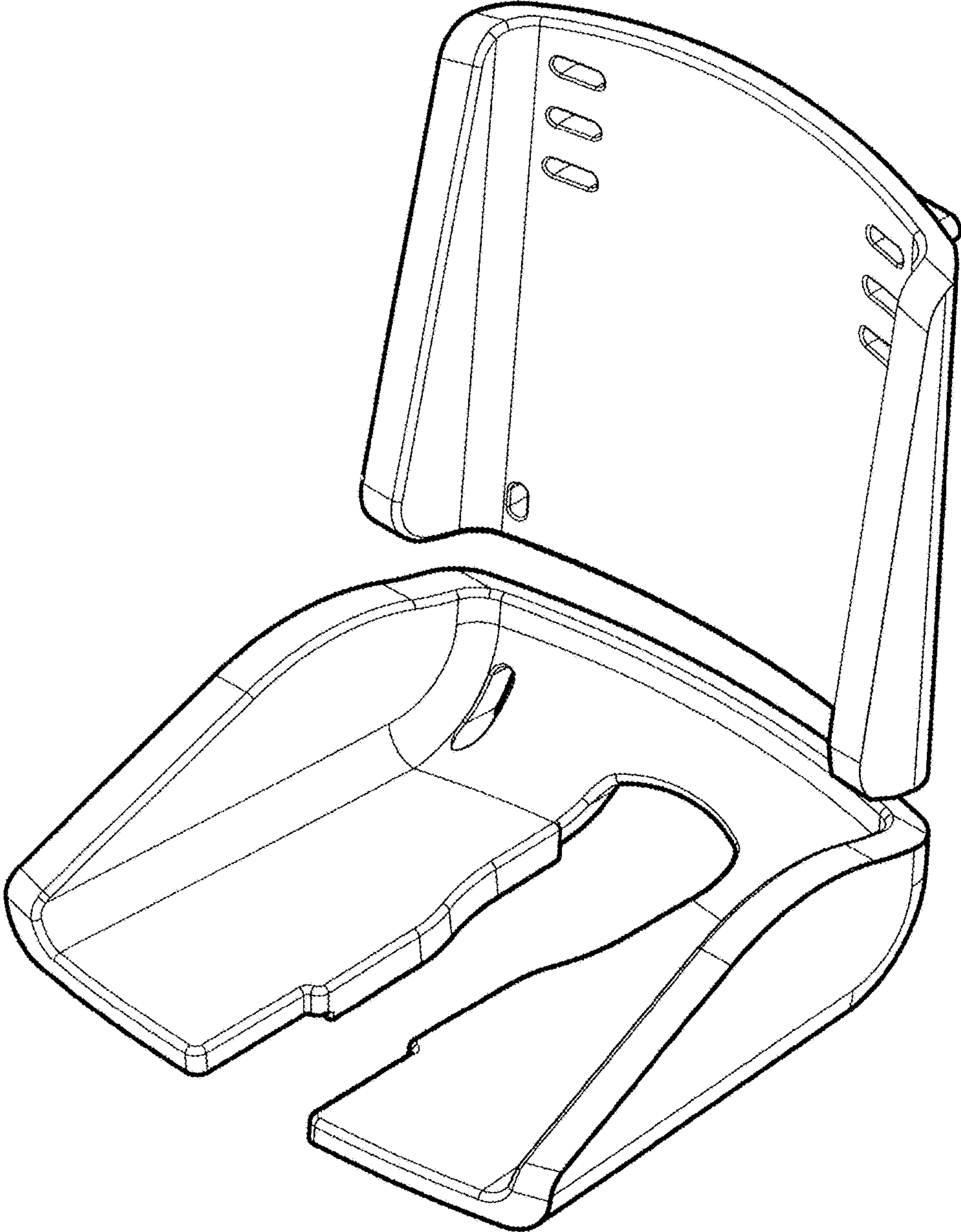


FIG. 9

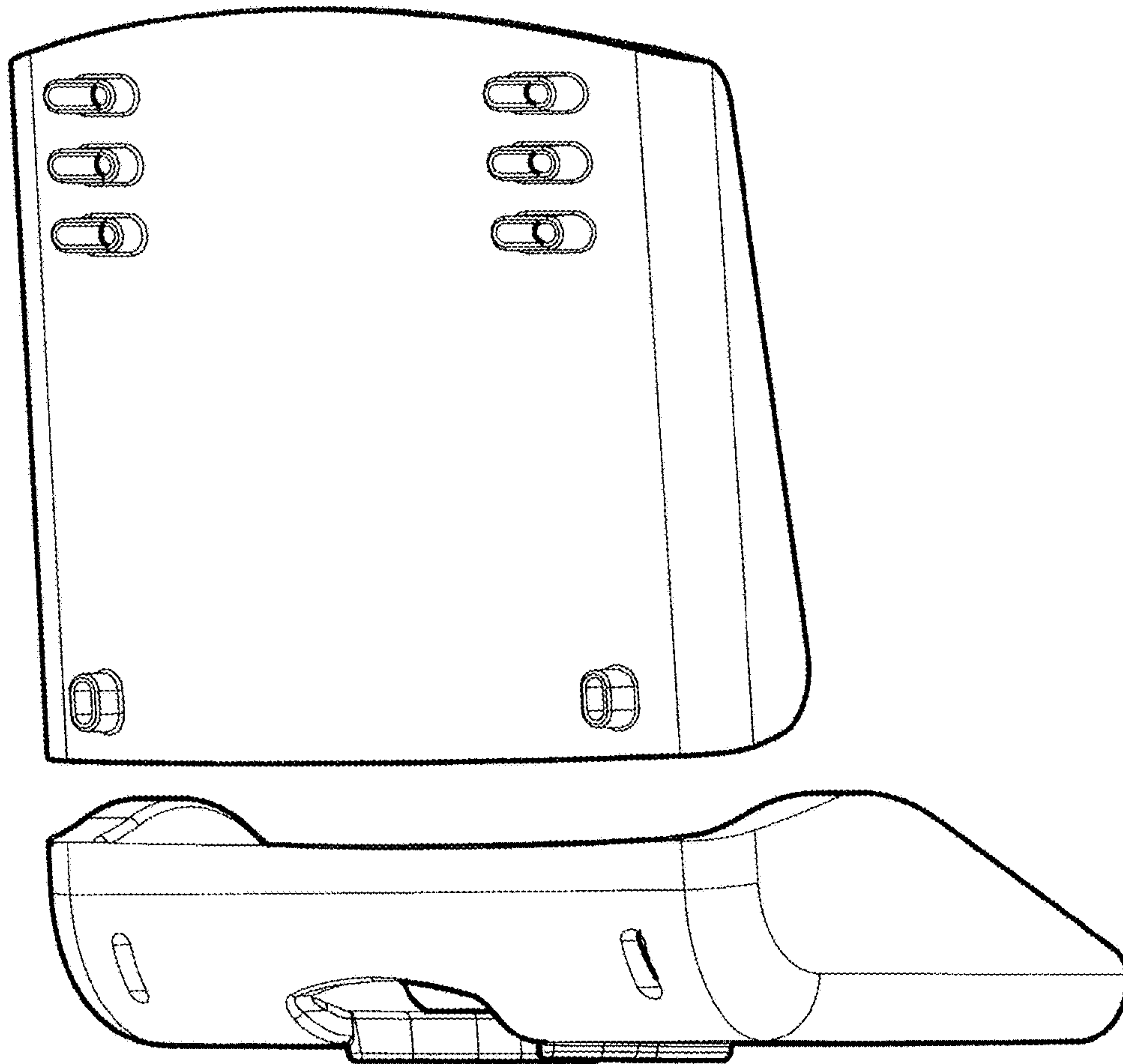


FIG. 10

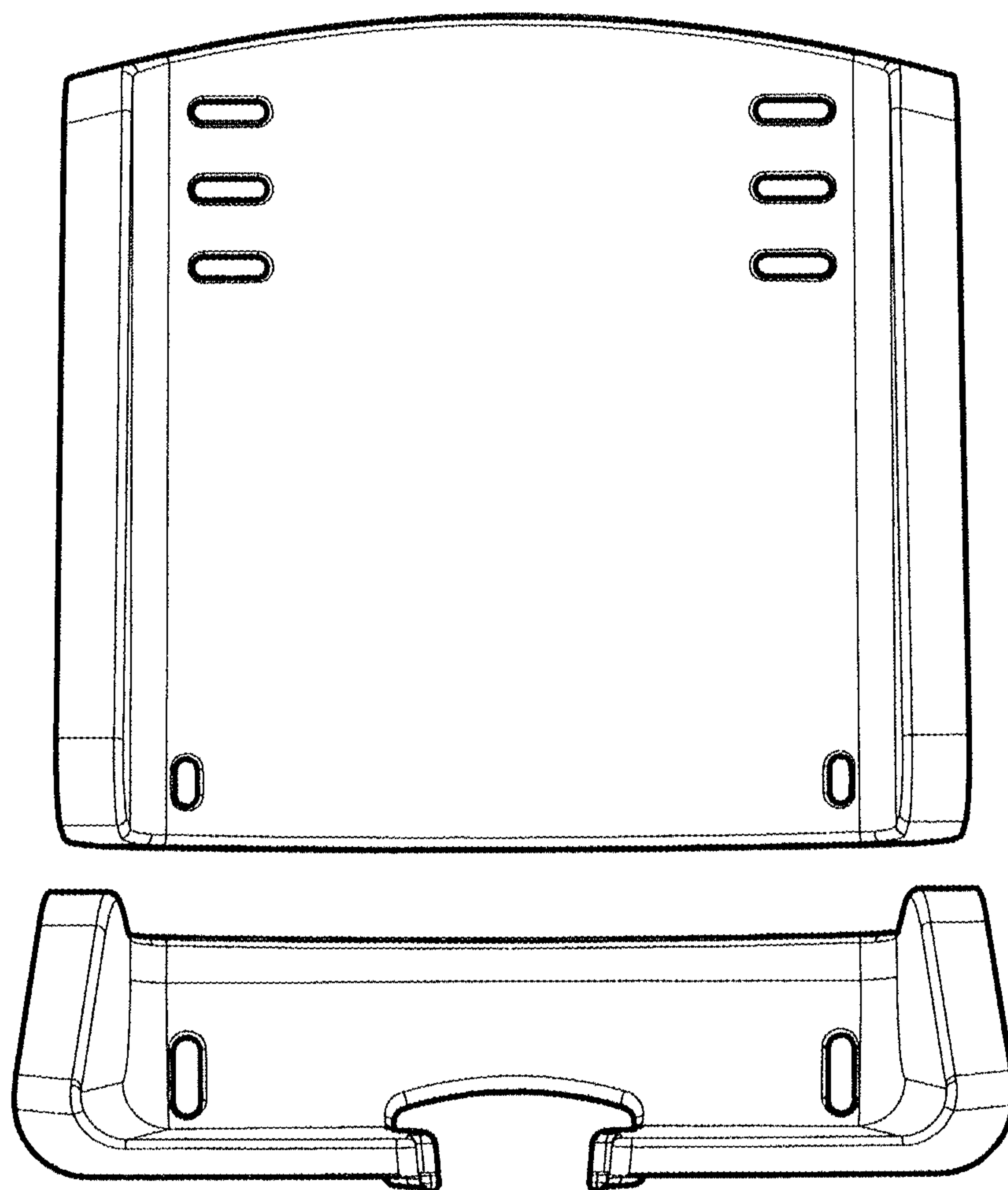


FIG. 11

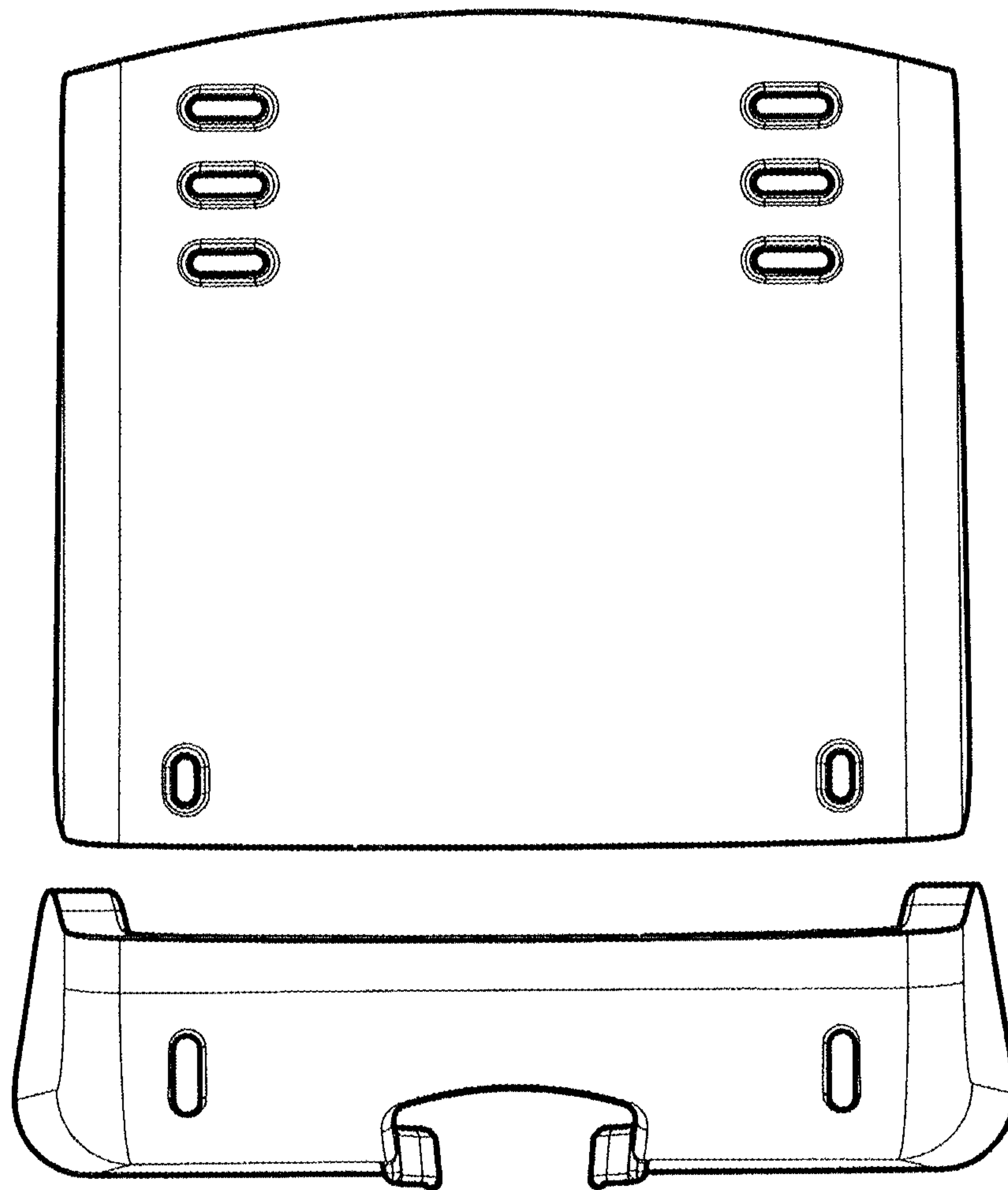


FIG. 12

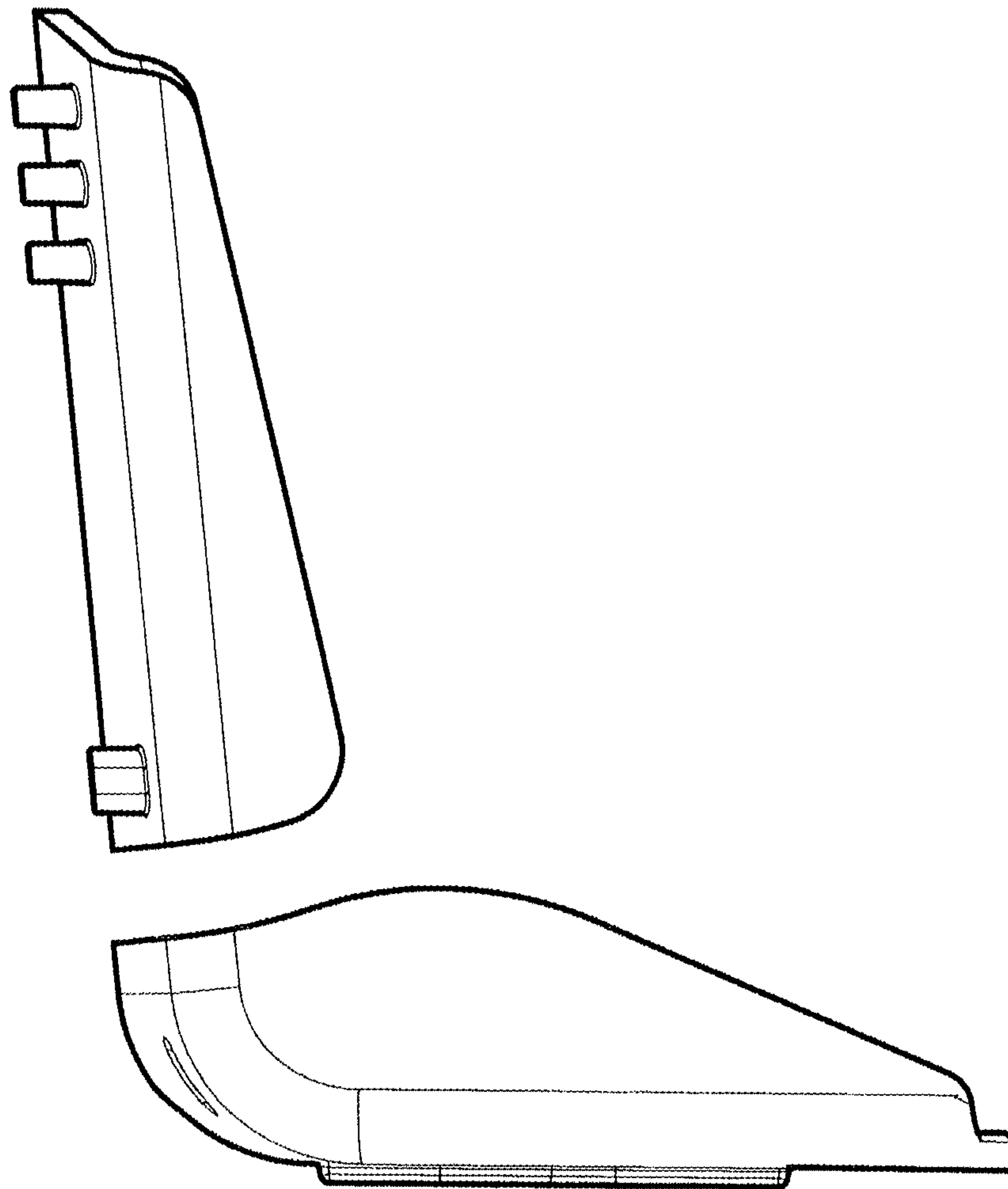


FIG. 13

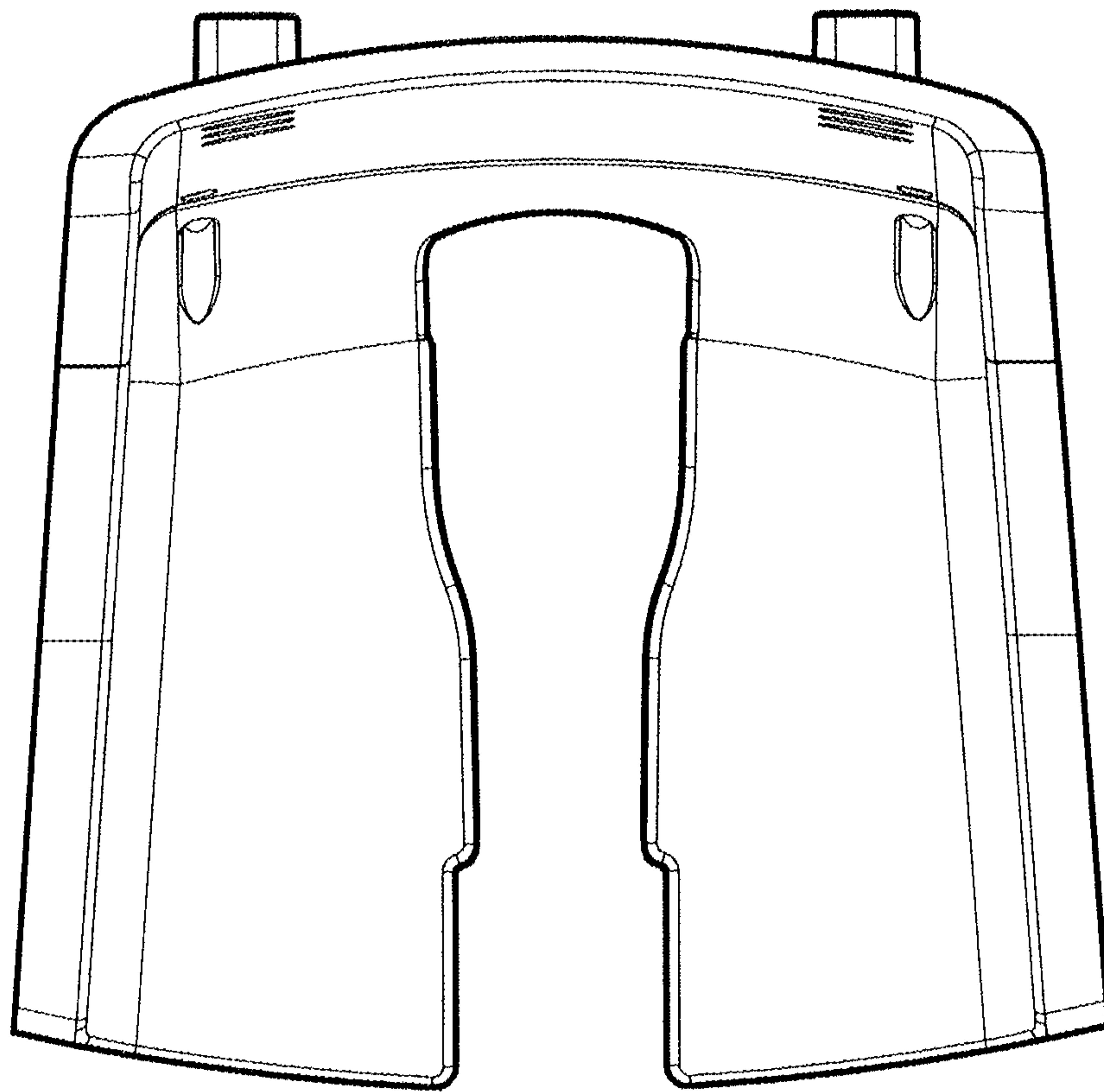


FIG. 14

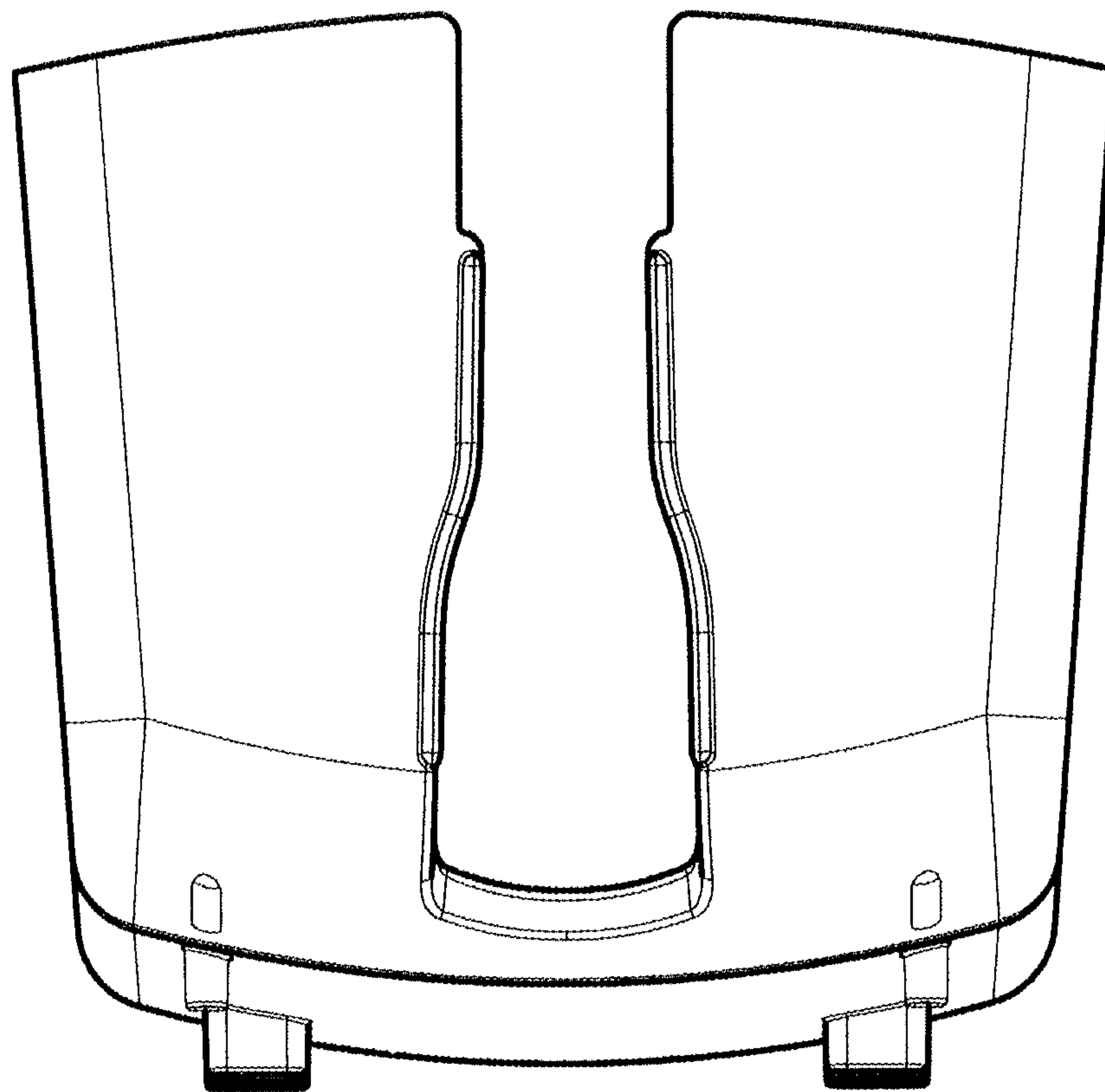


FIG. 15

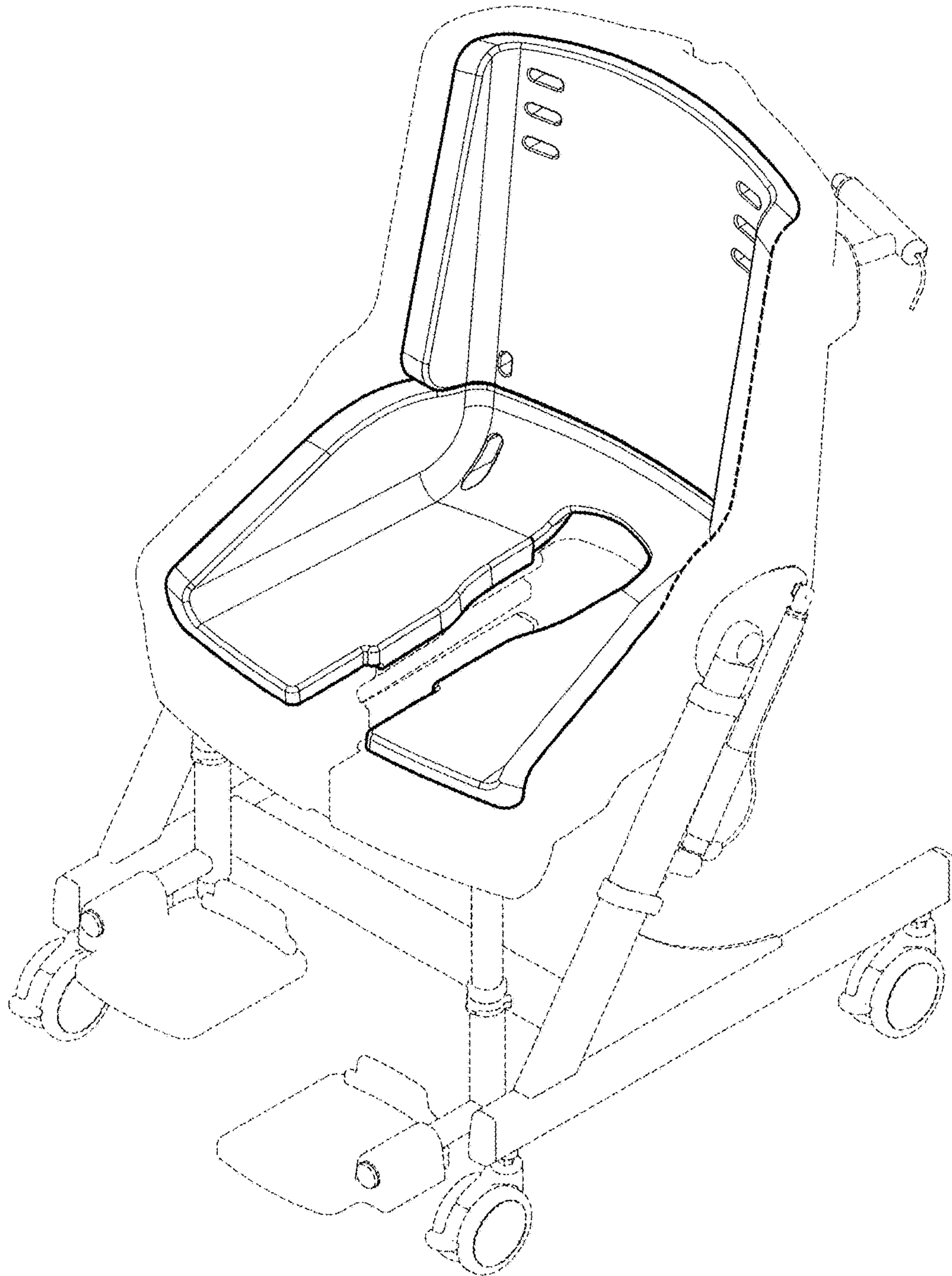


FIG. 16

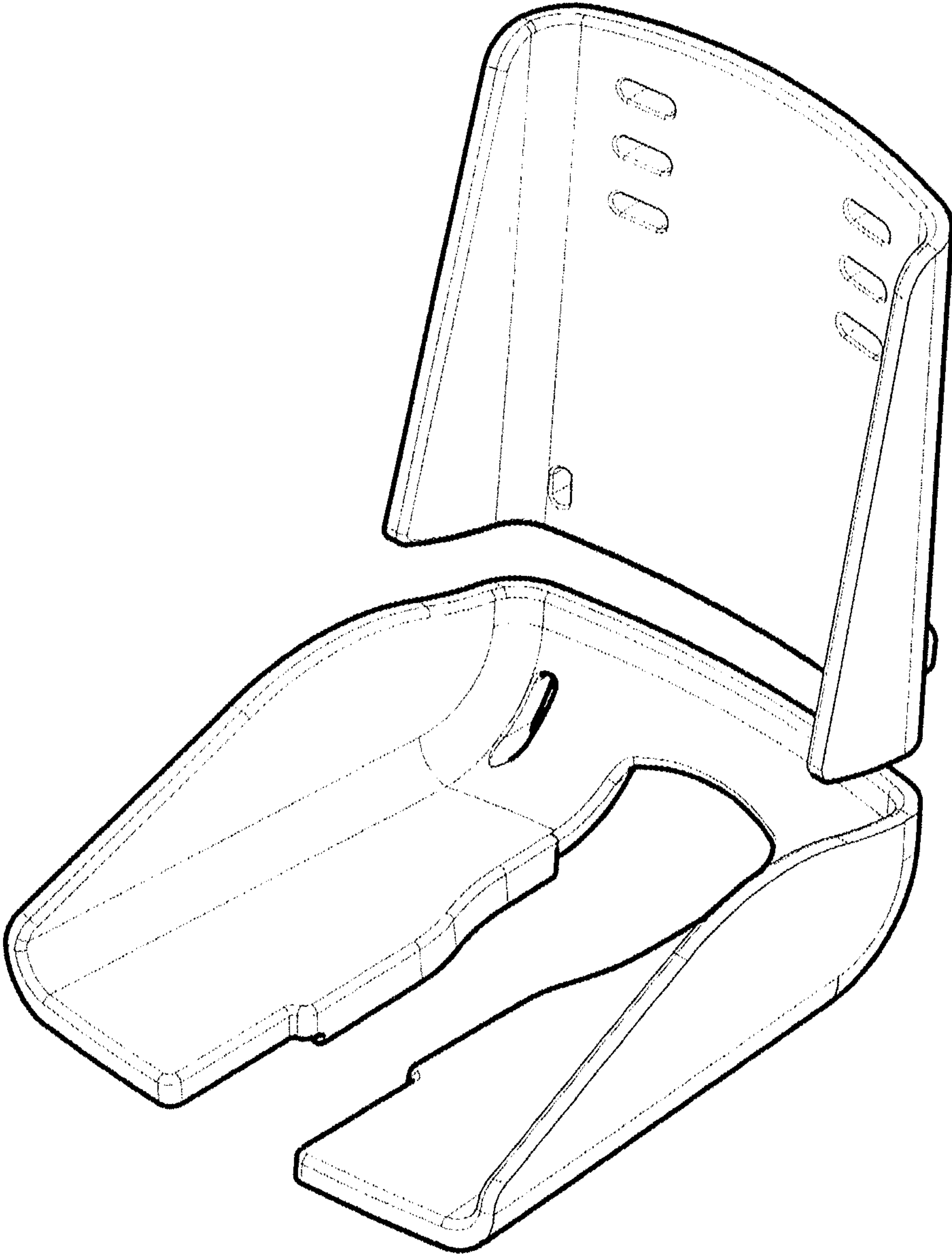


FIG. 17

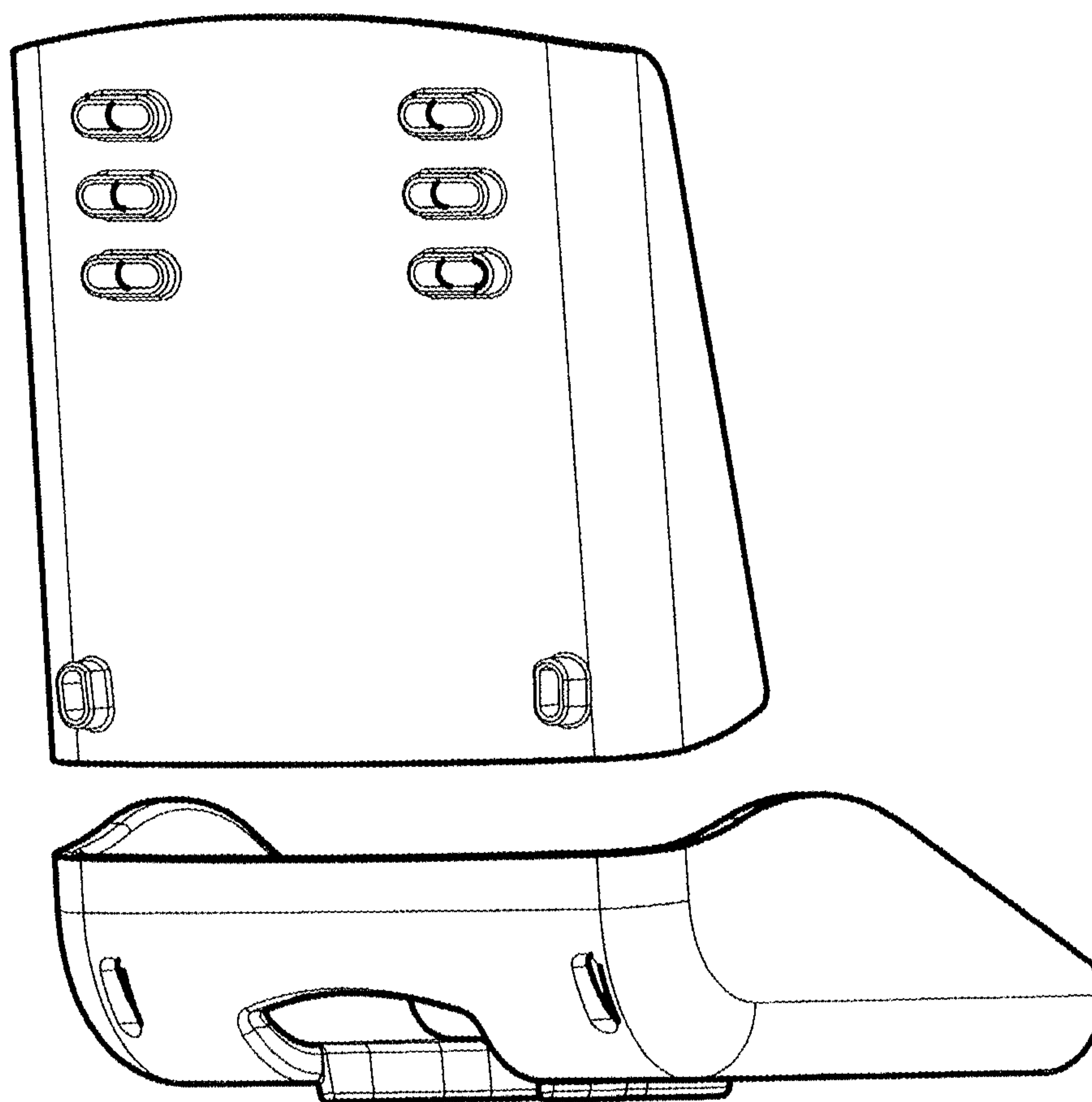


FIG. 18

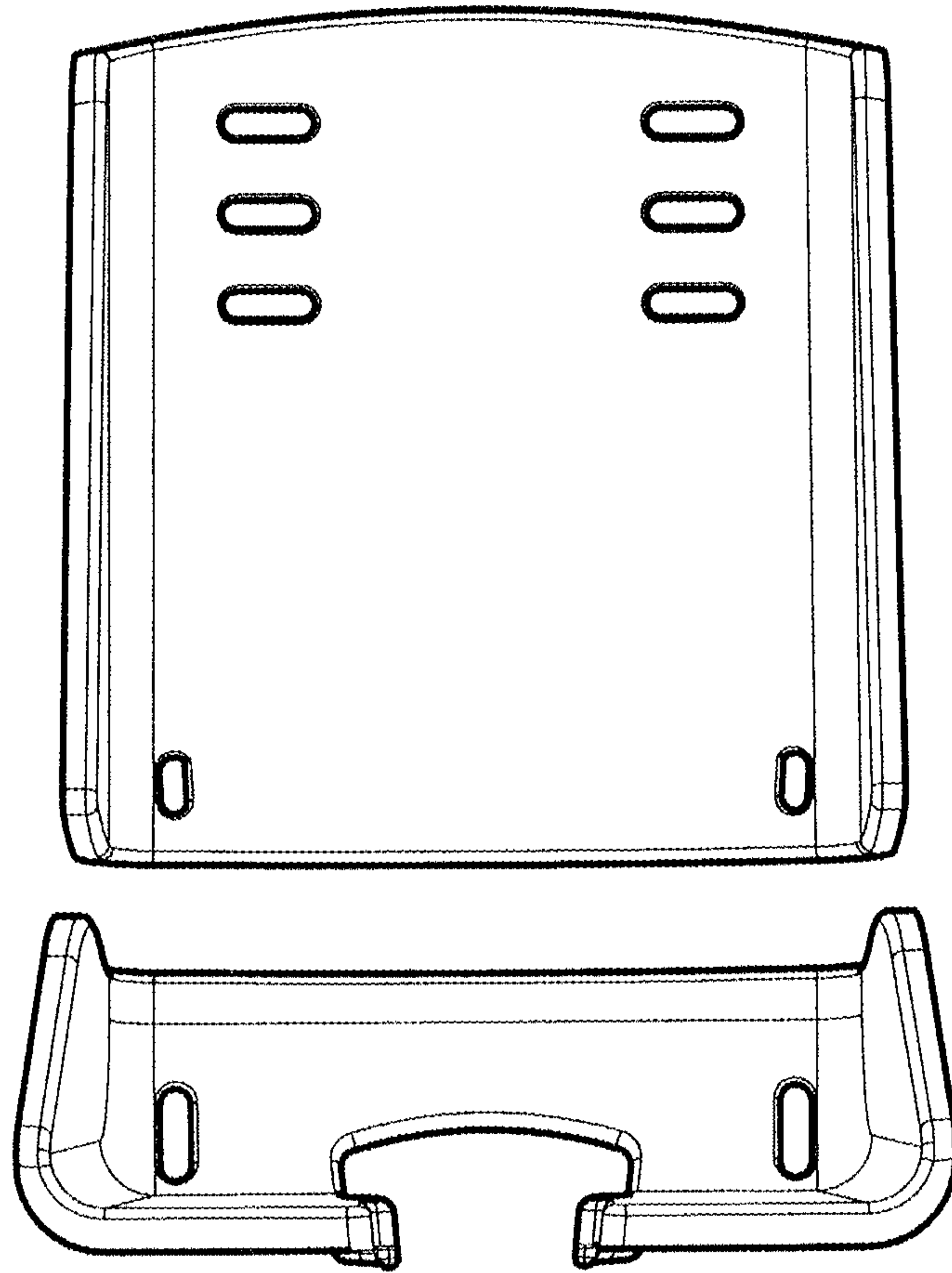


FIG. 19

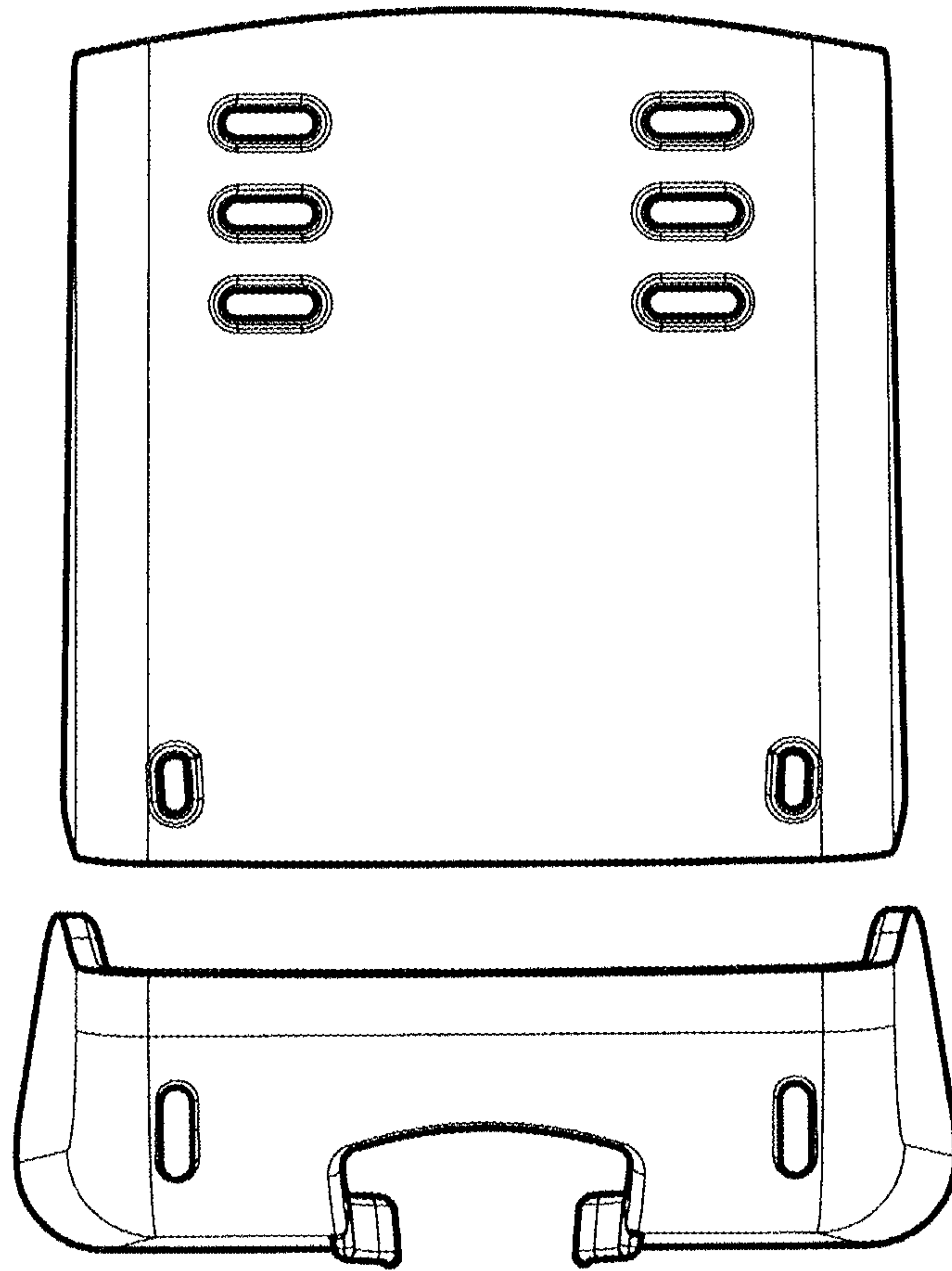


FIG. 20

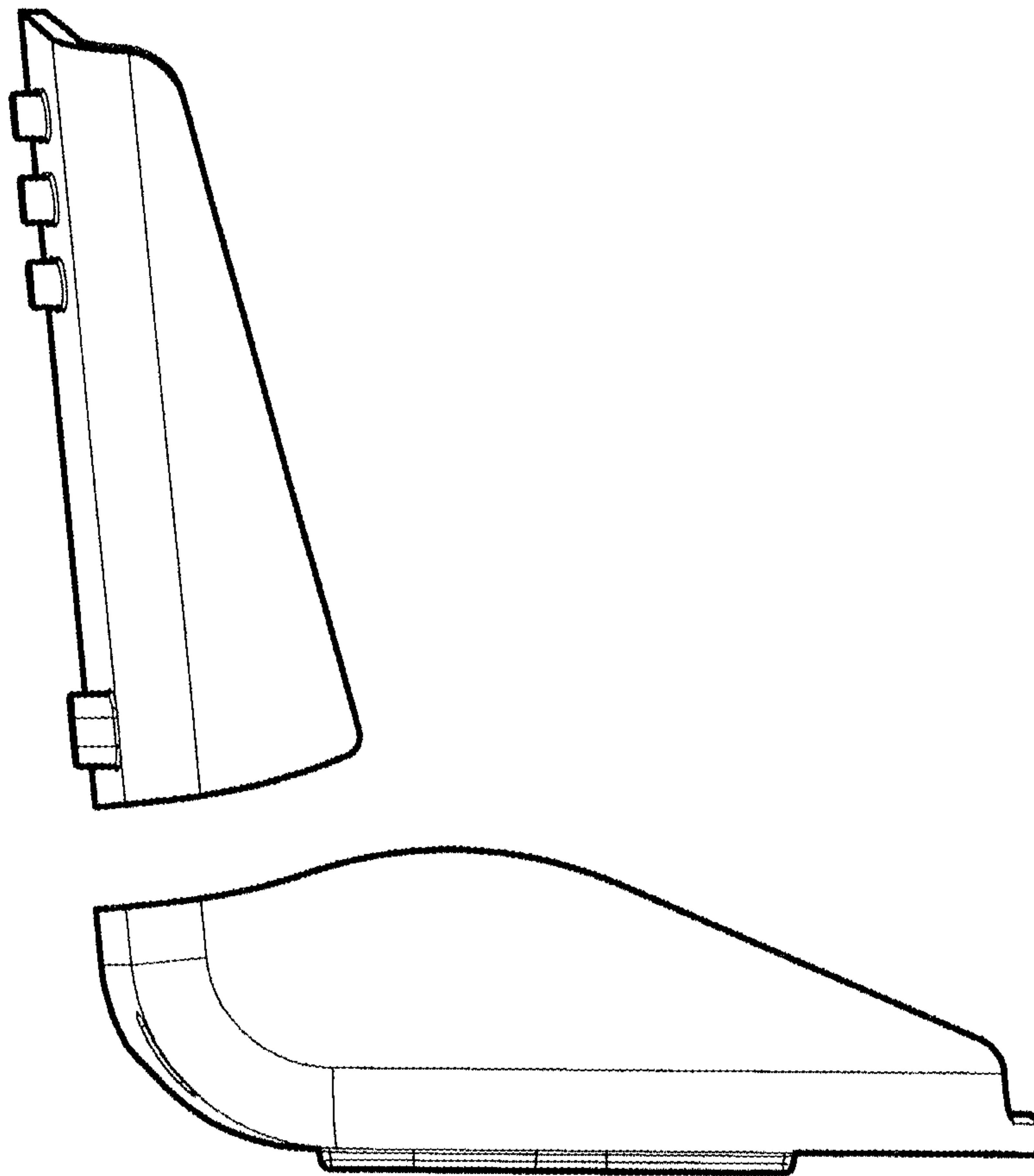


FIG. 21

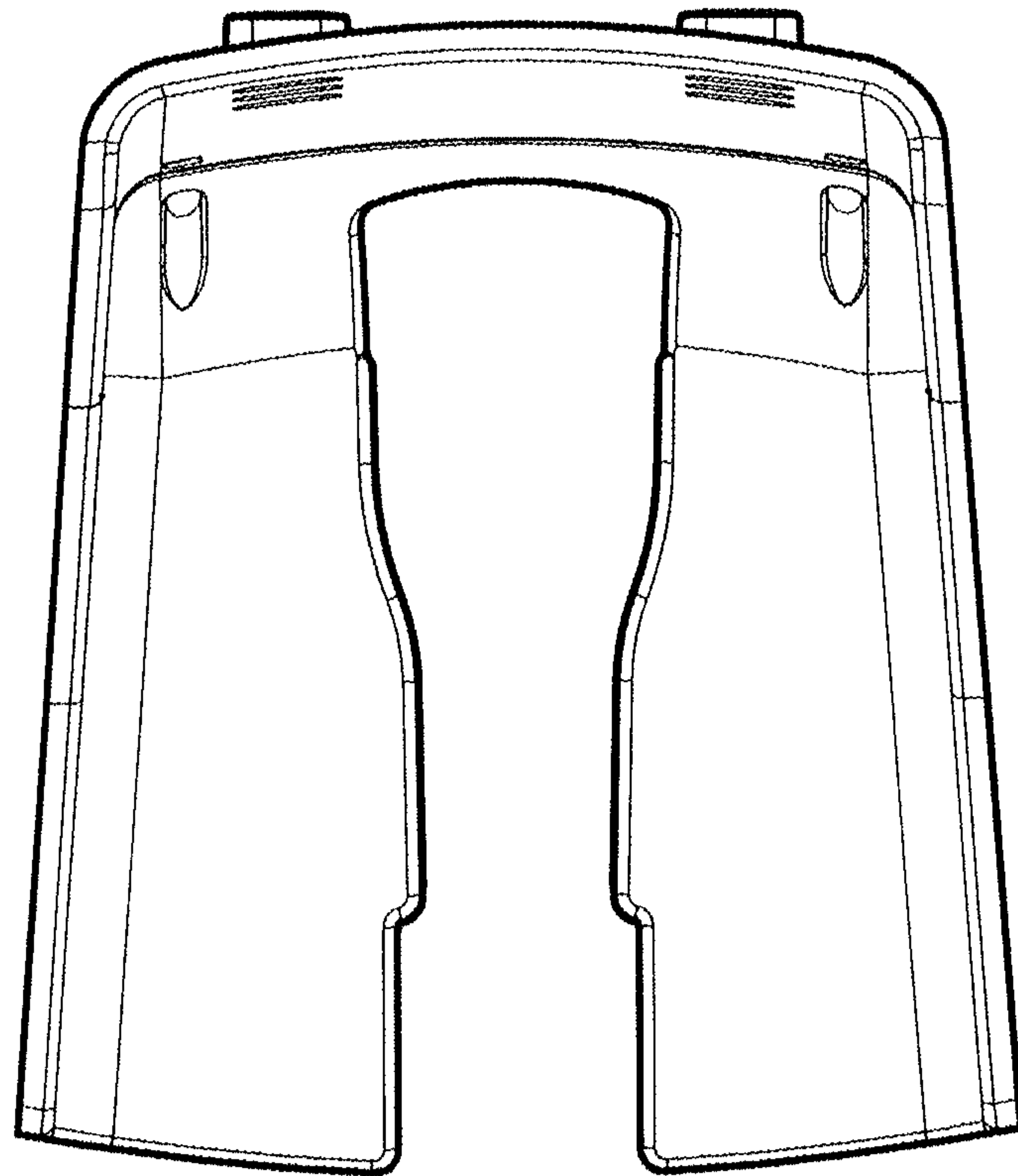


FIG. 22

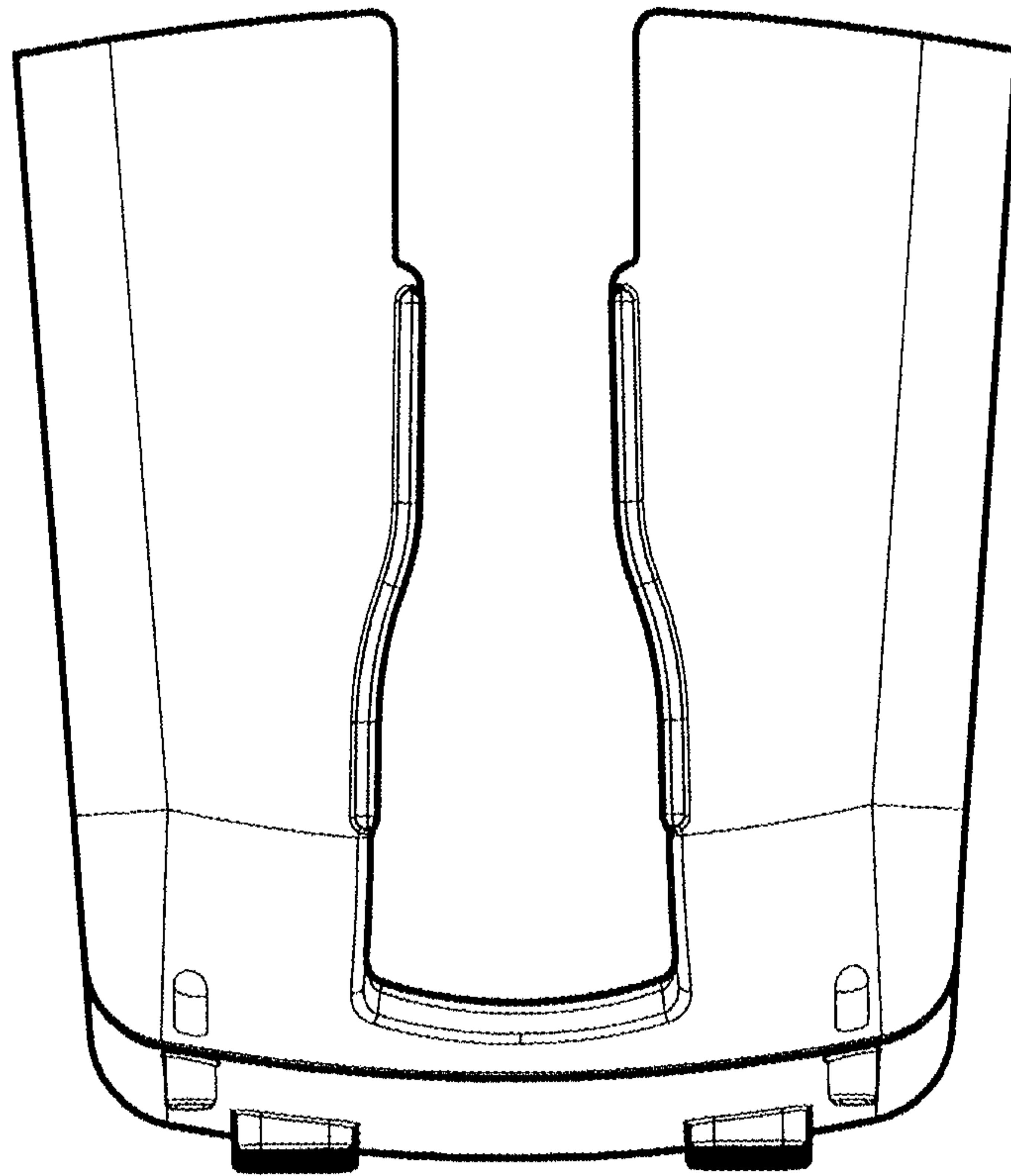


FIG. 23

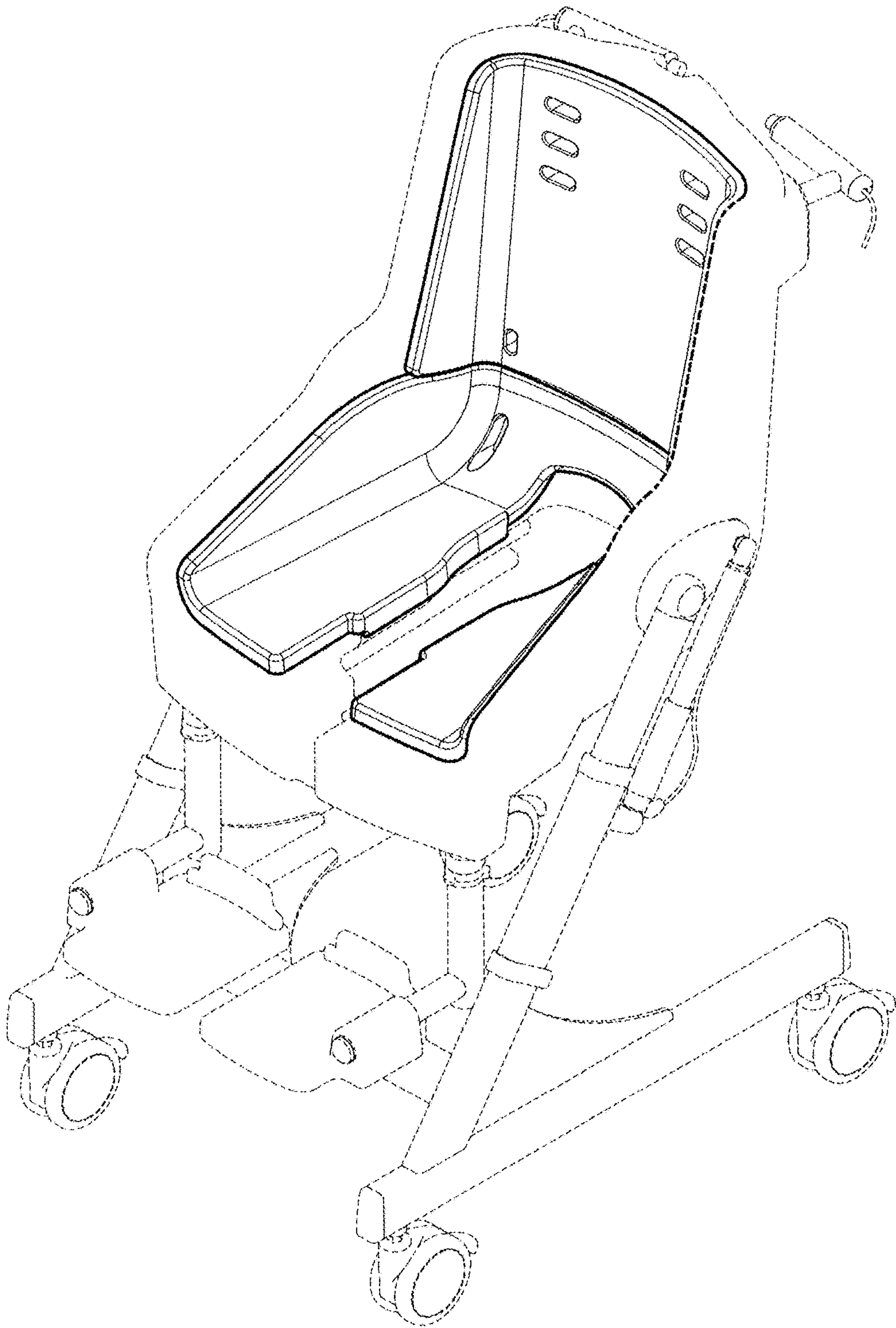


FIG. 24

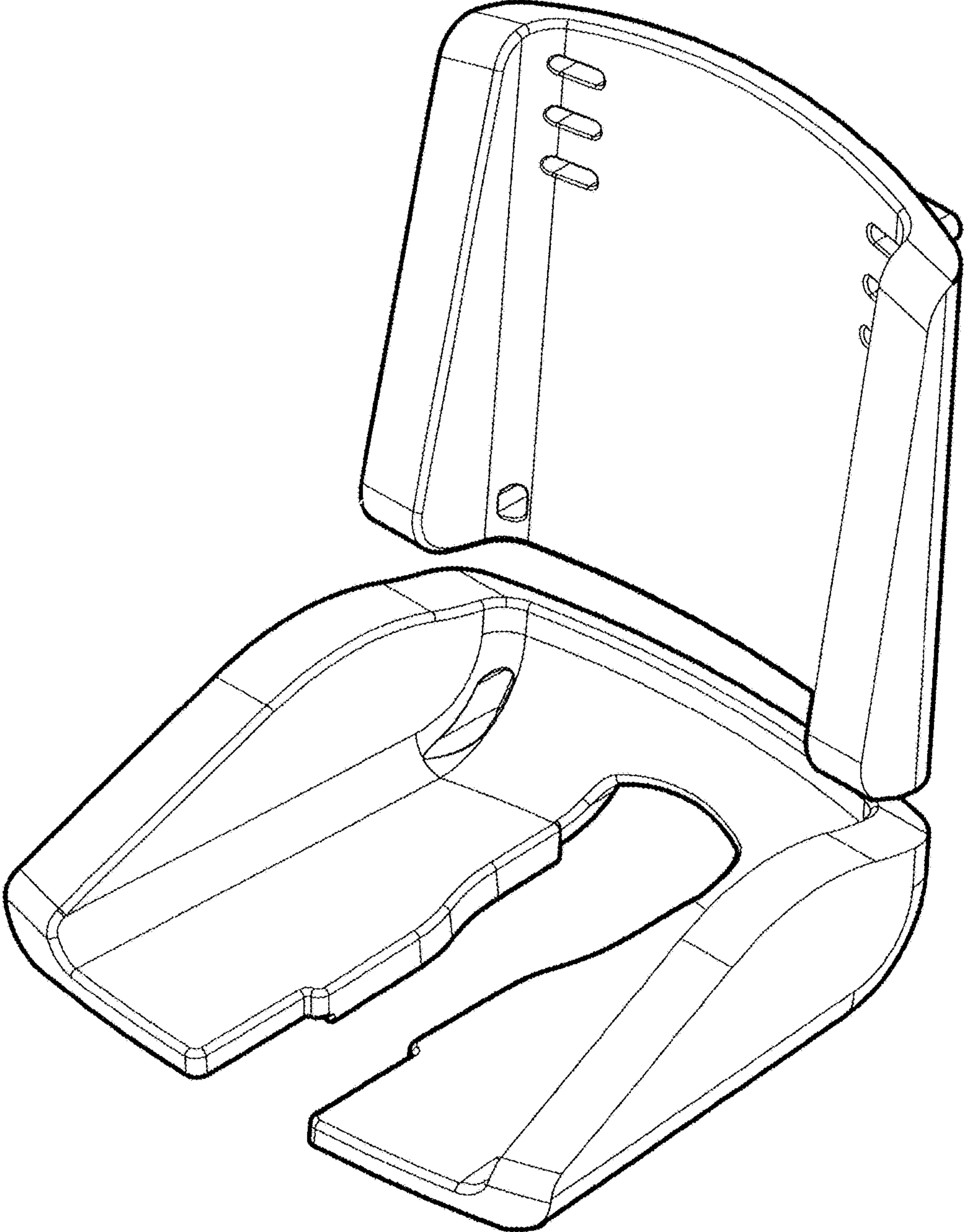


FIG. 25

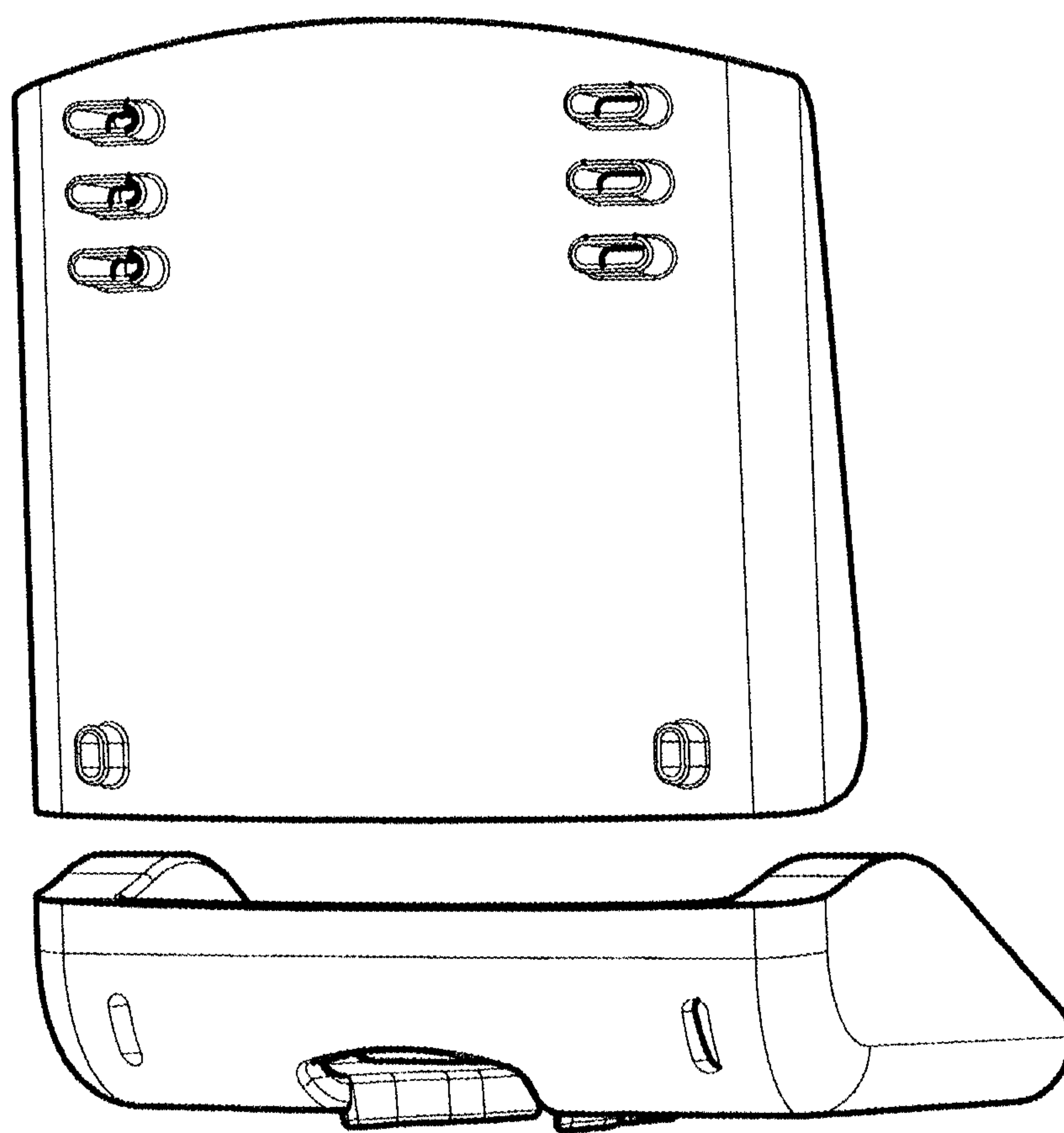


FIG. 26

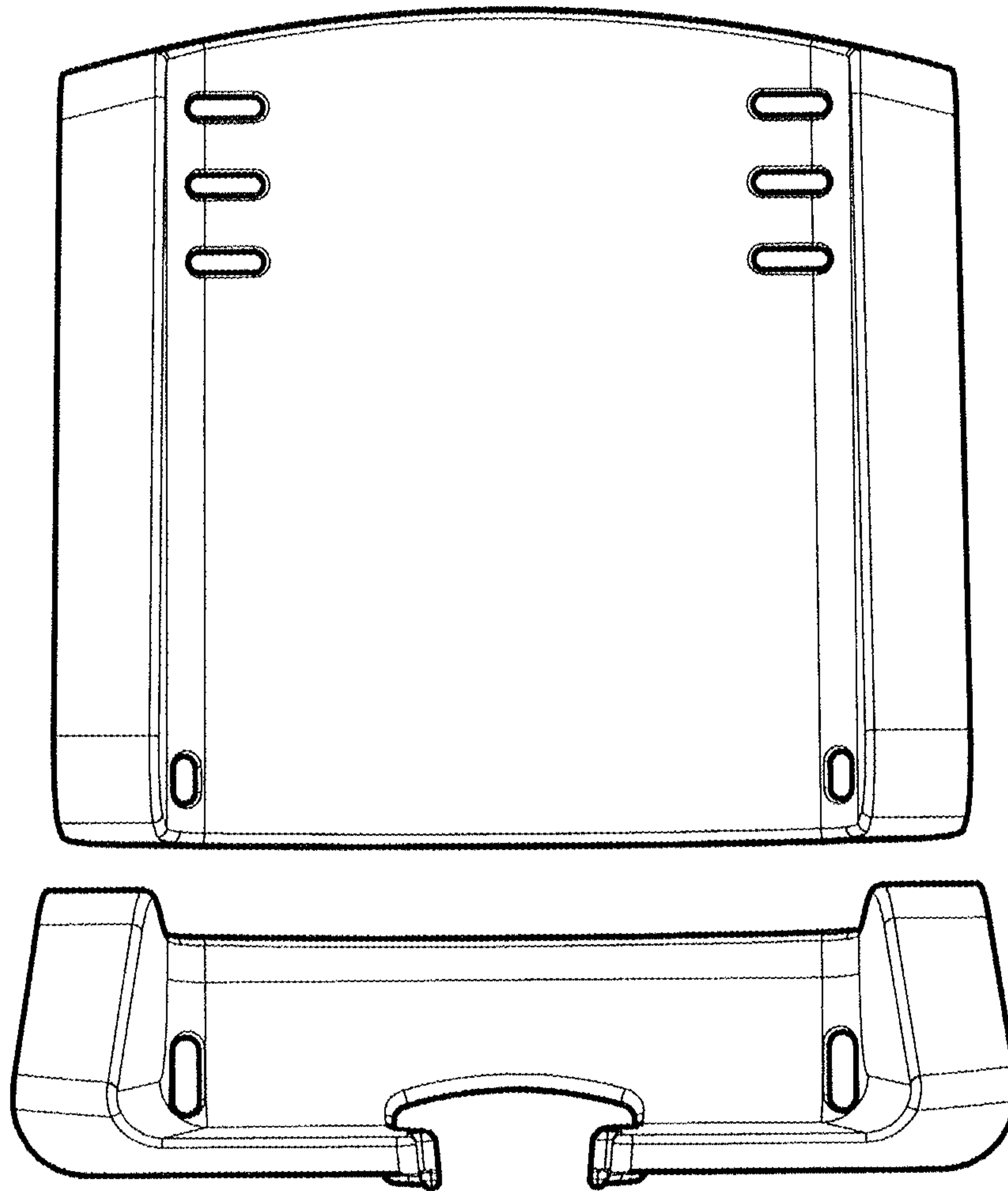


FIG. 27

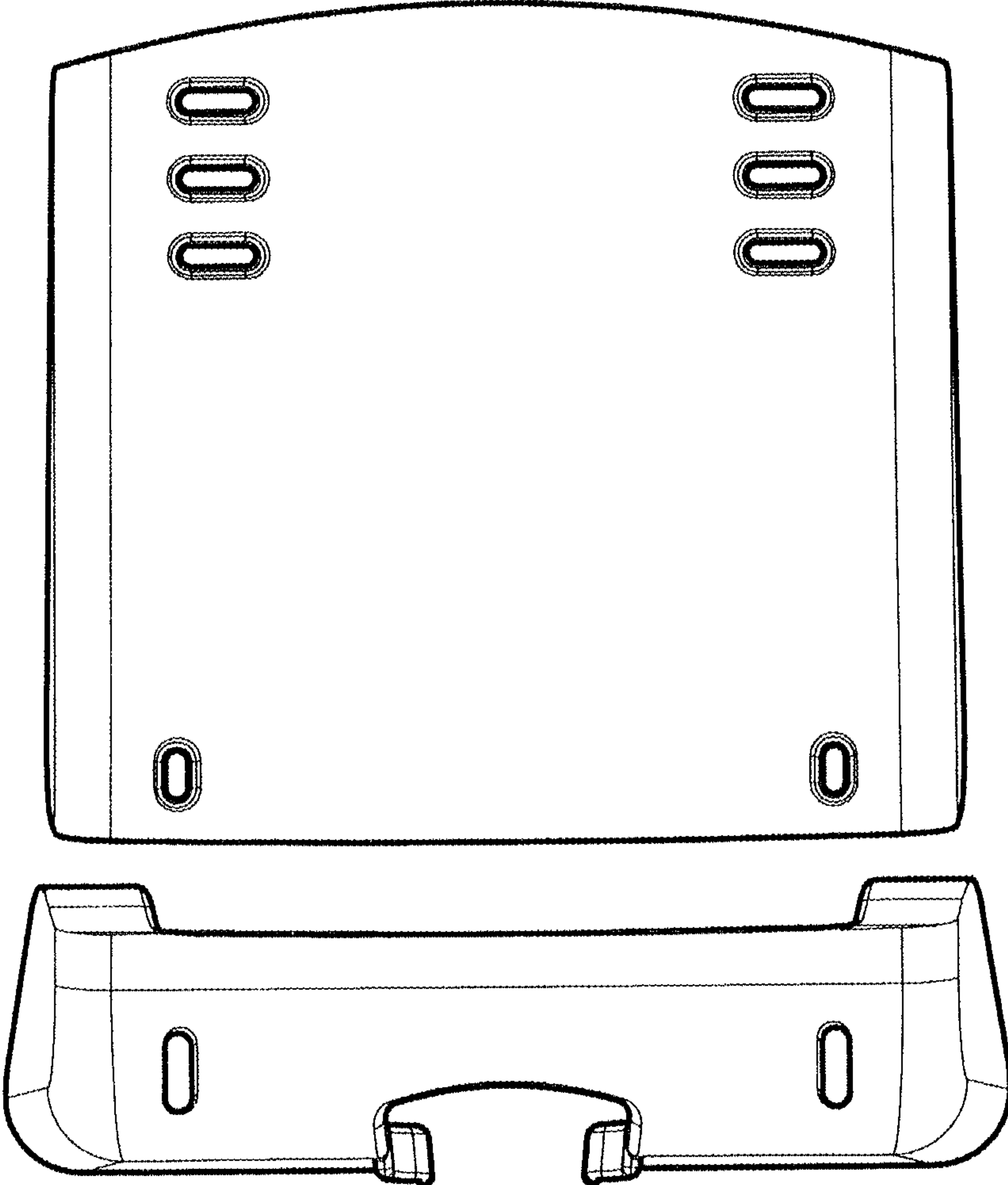


FIG. 28

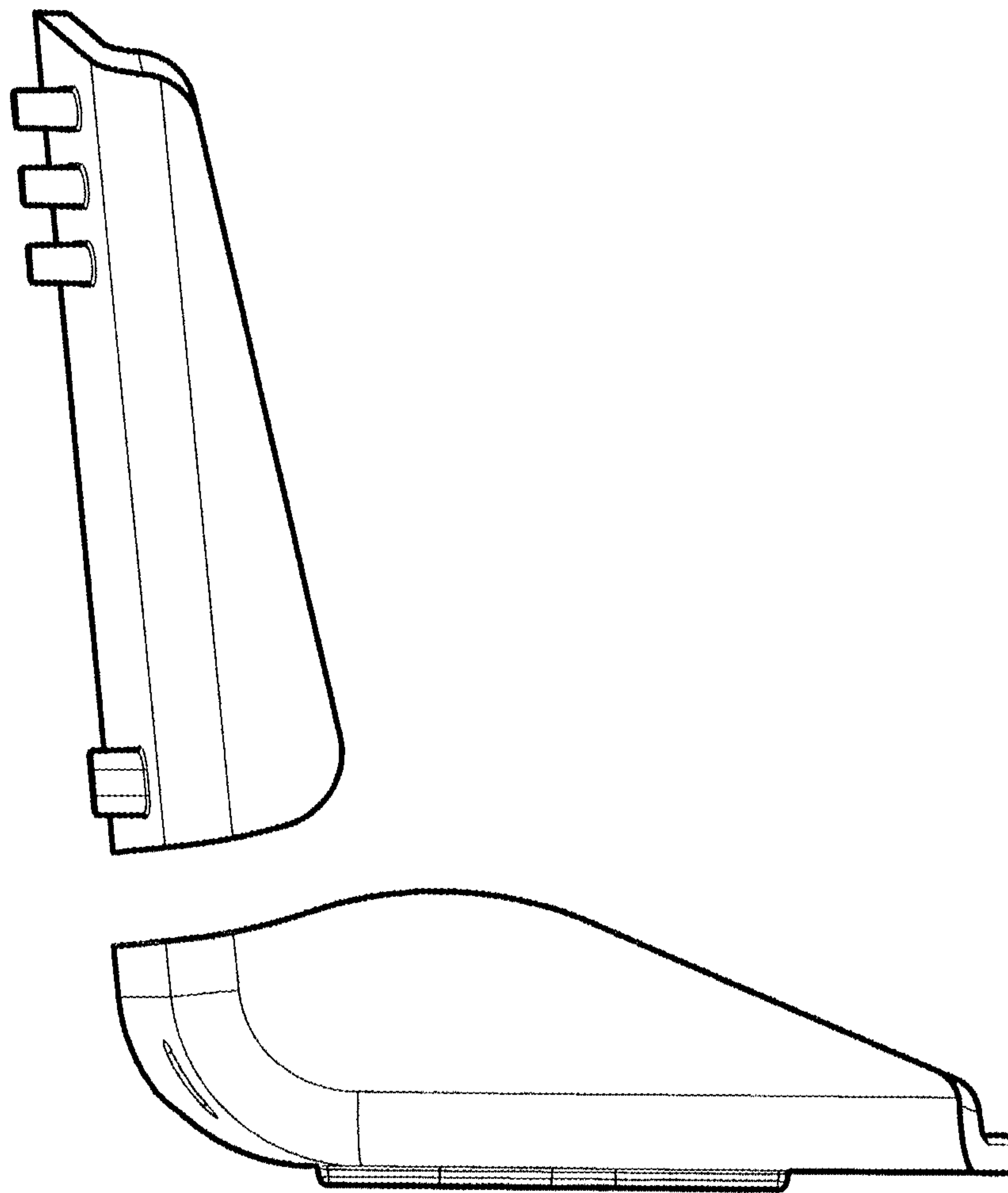


FIG. 29

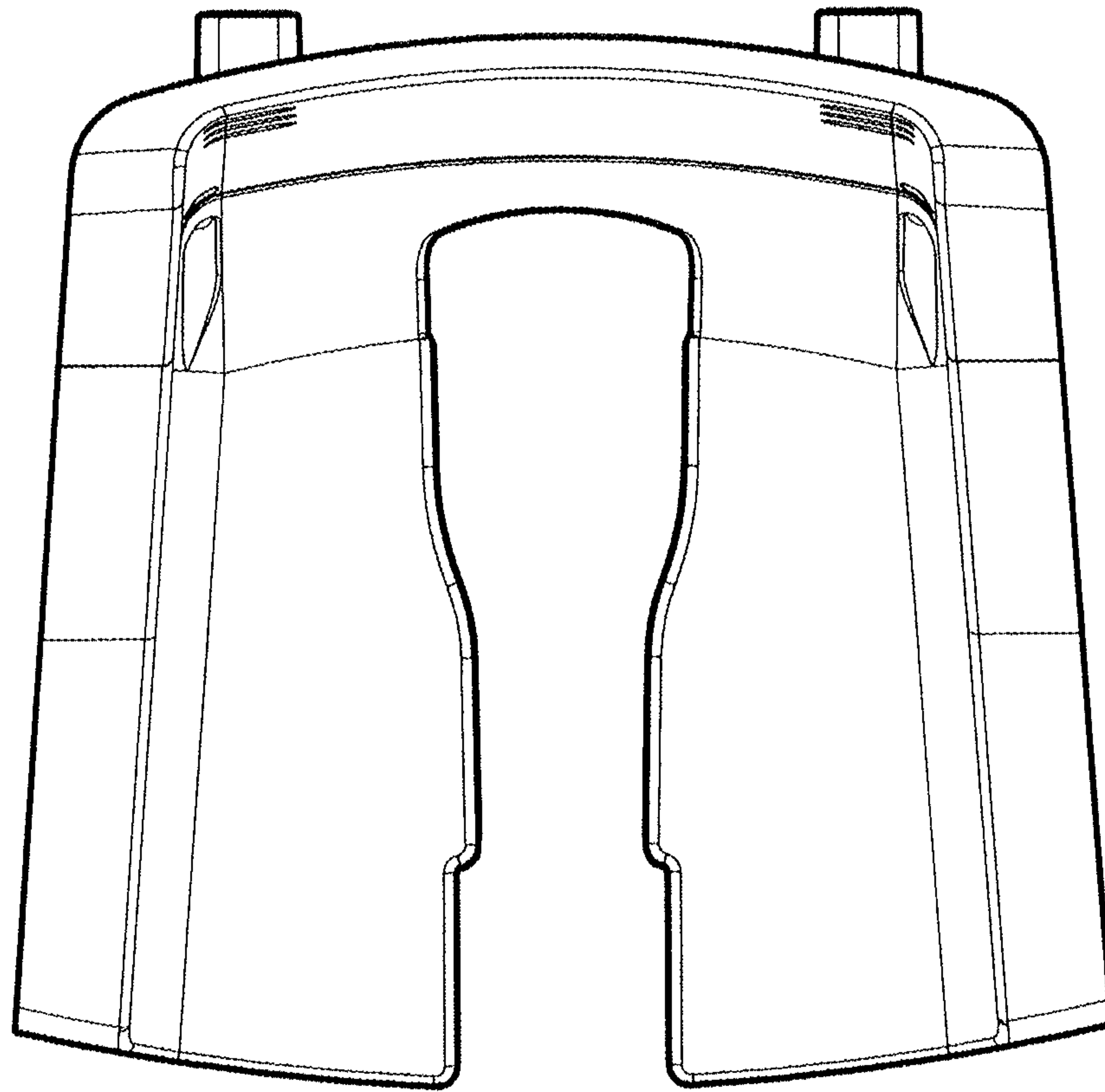


FIG. 30

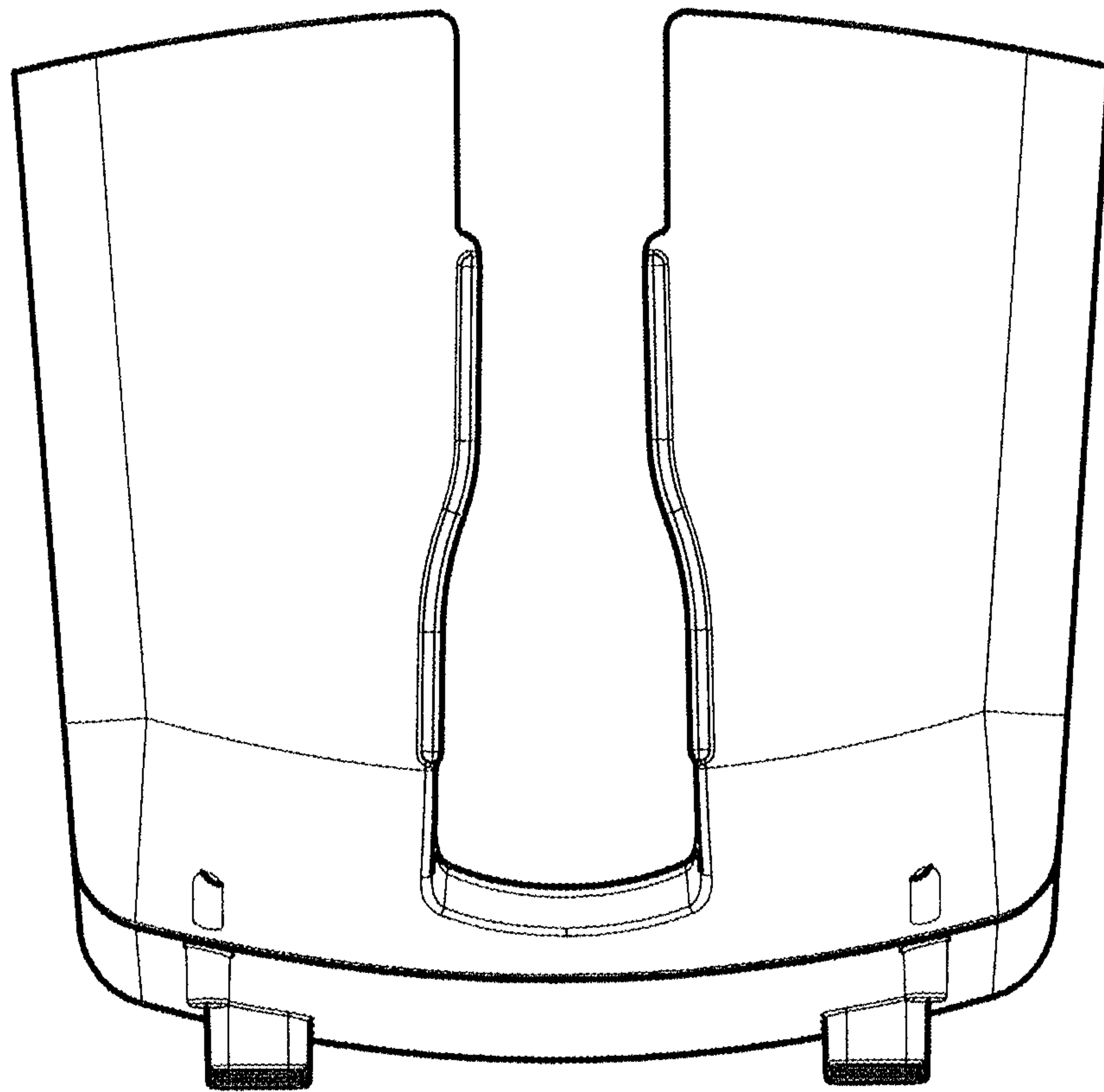


FIG. 31

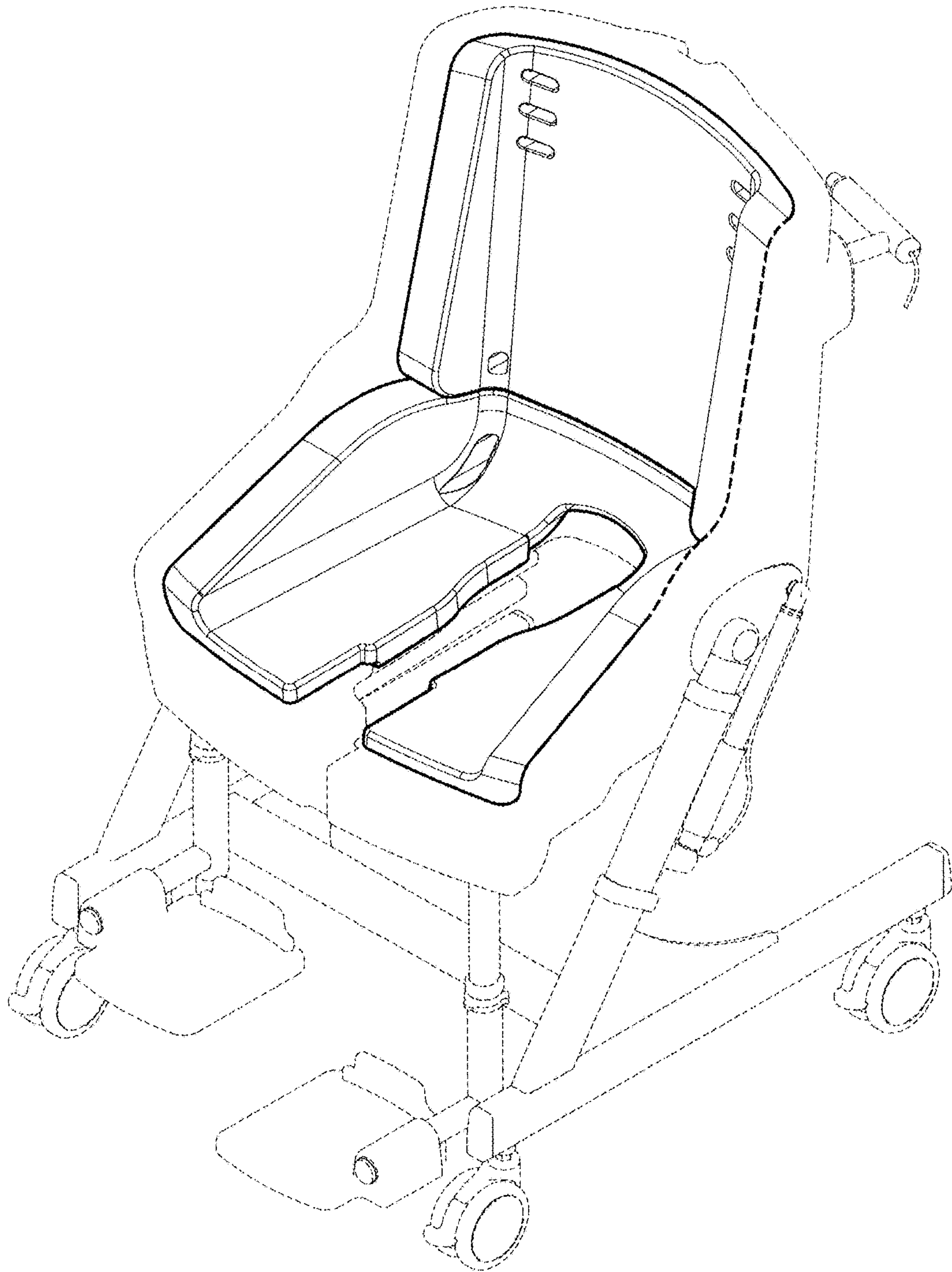


FIG. 32

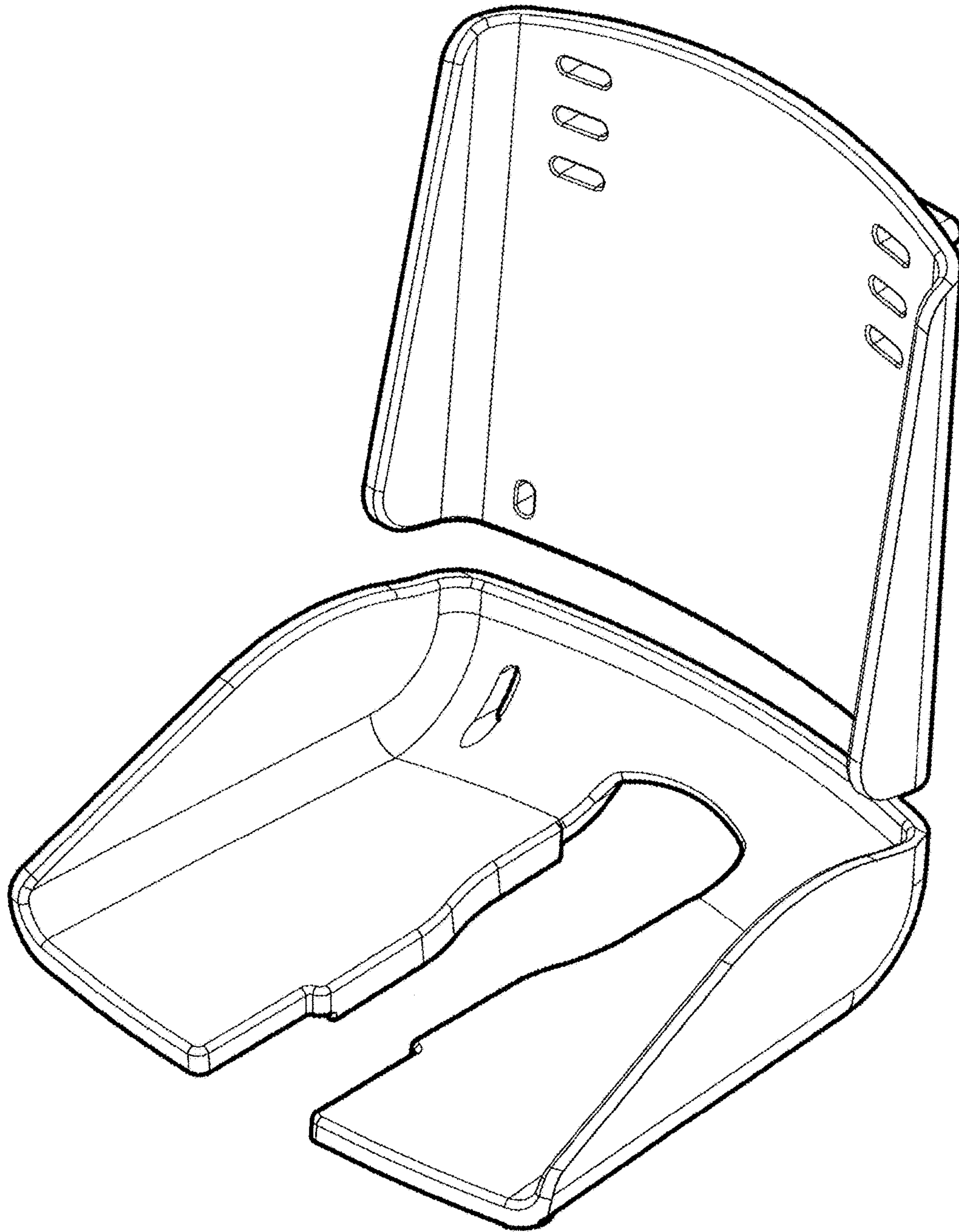


FIG. 33

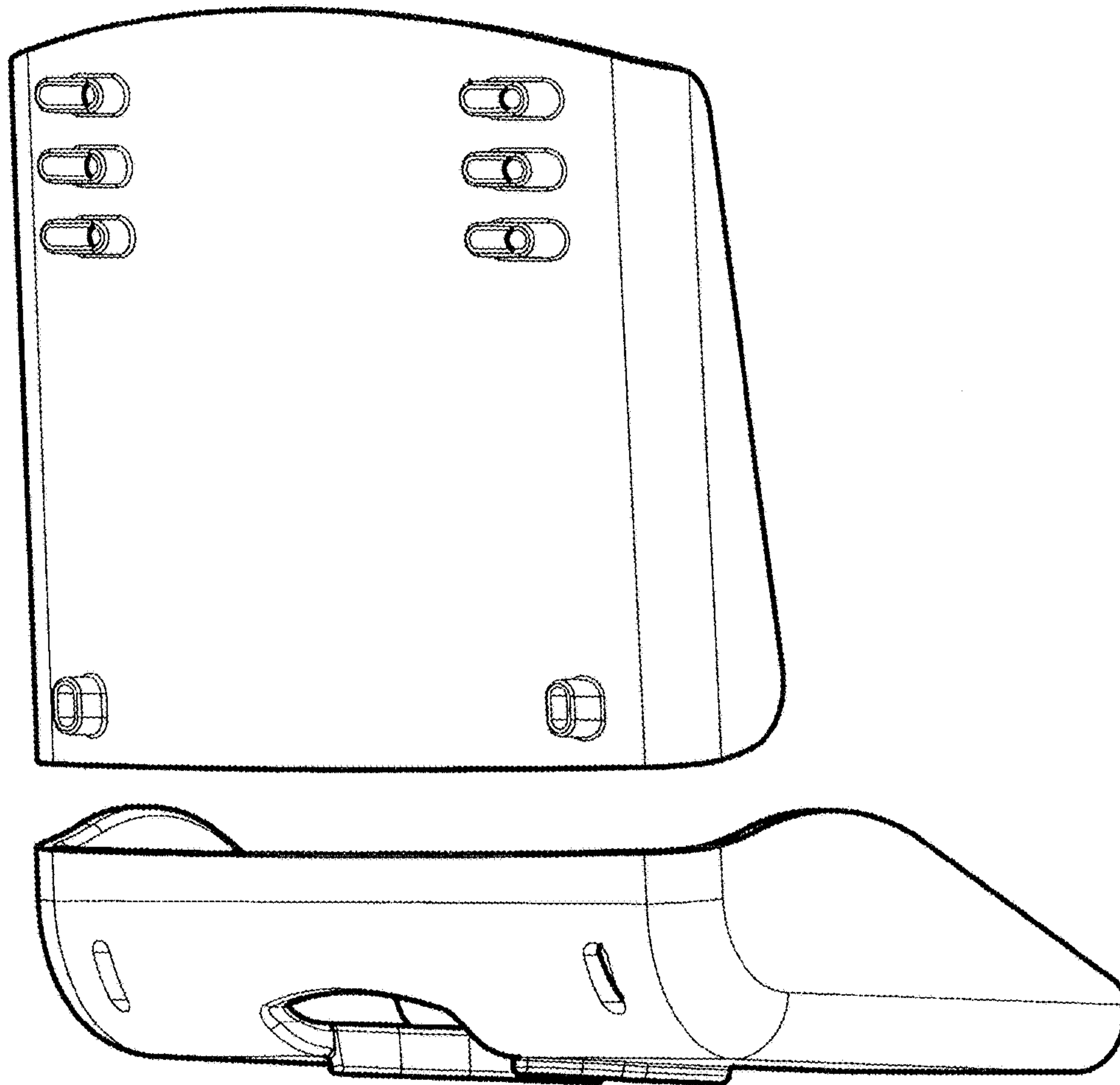


FIG. 34

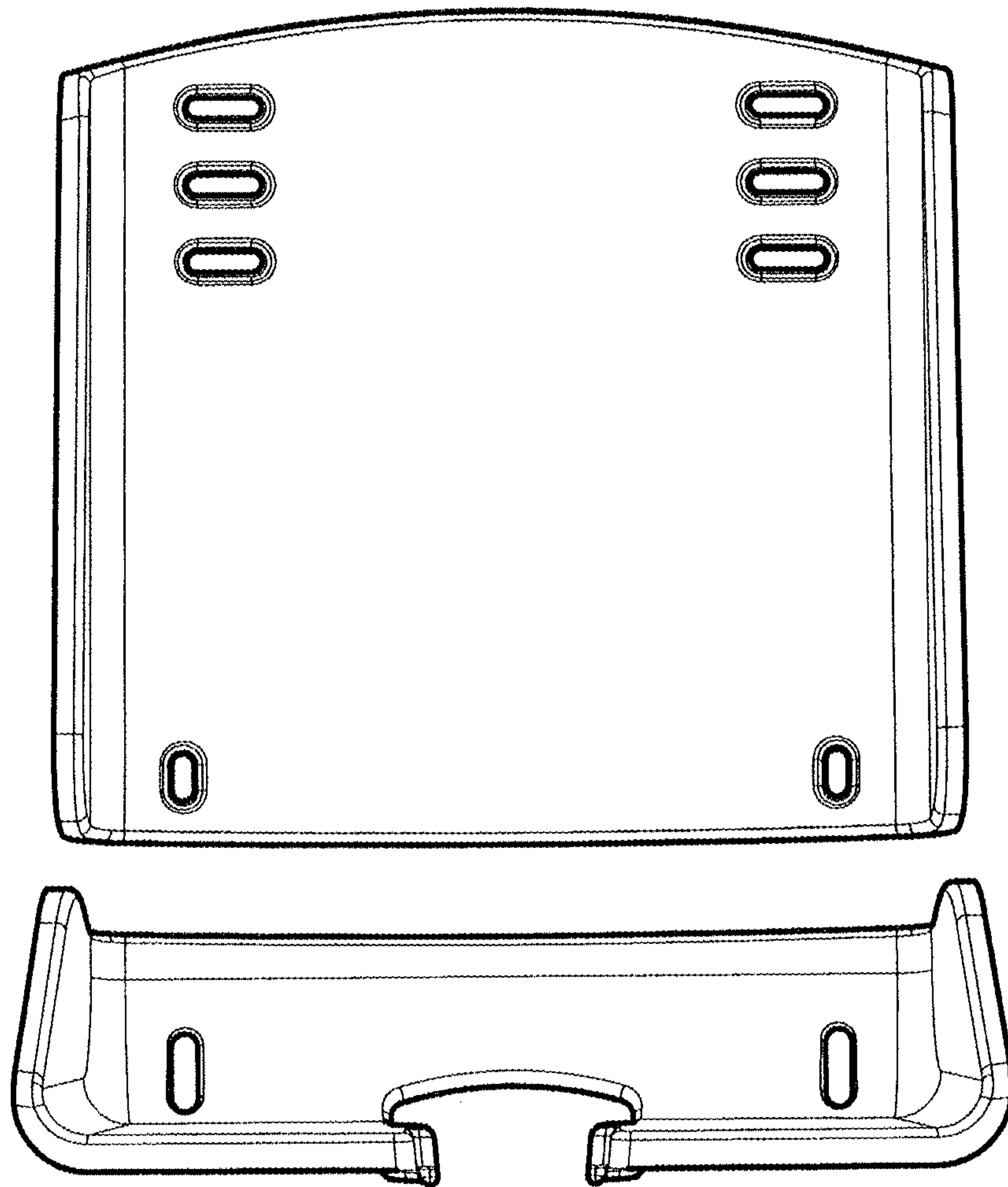


FIG. 35

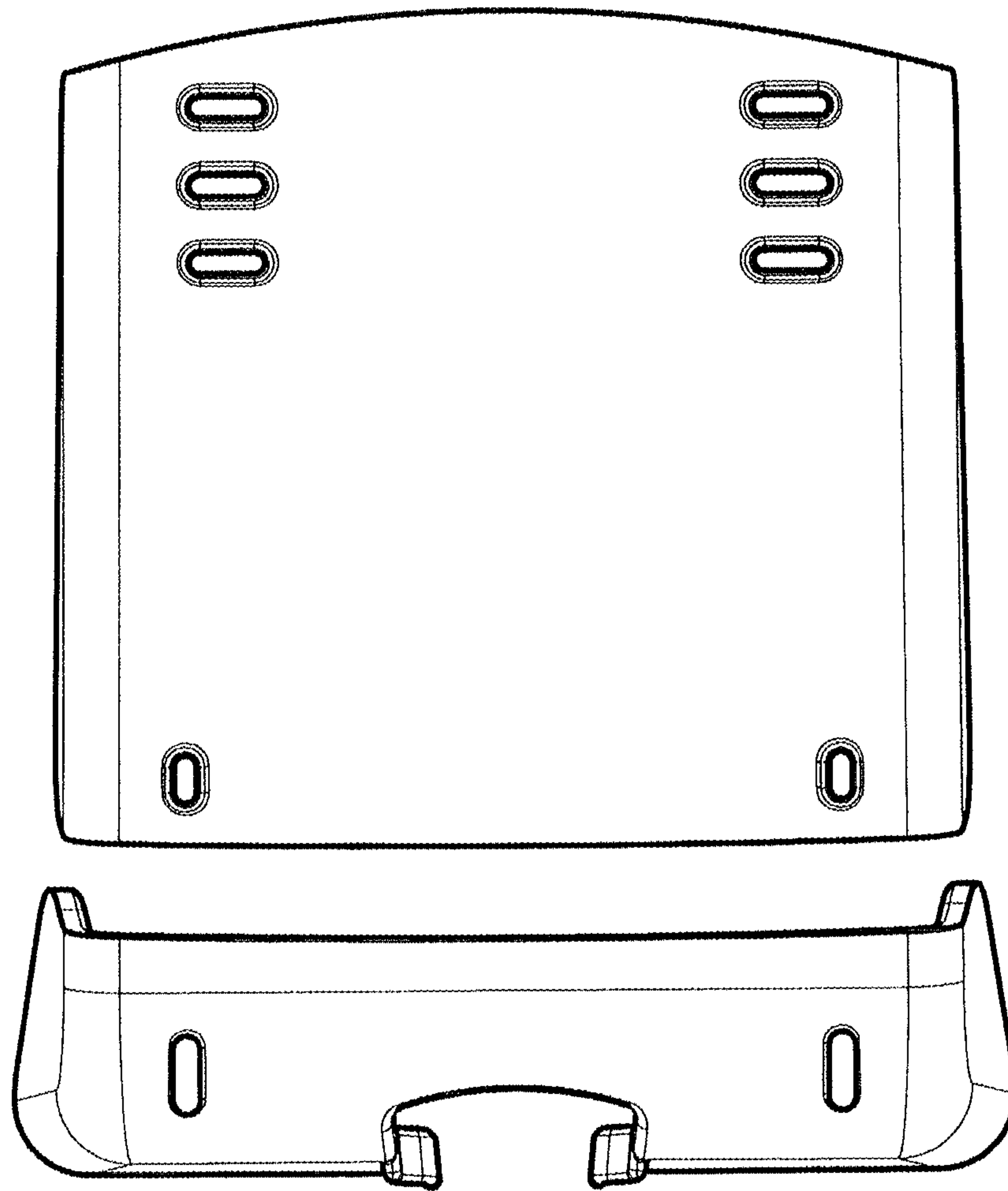


FIG. 36

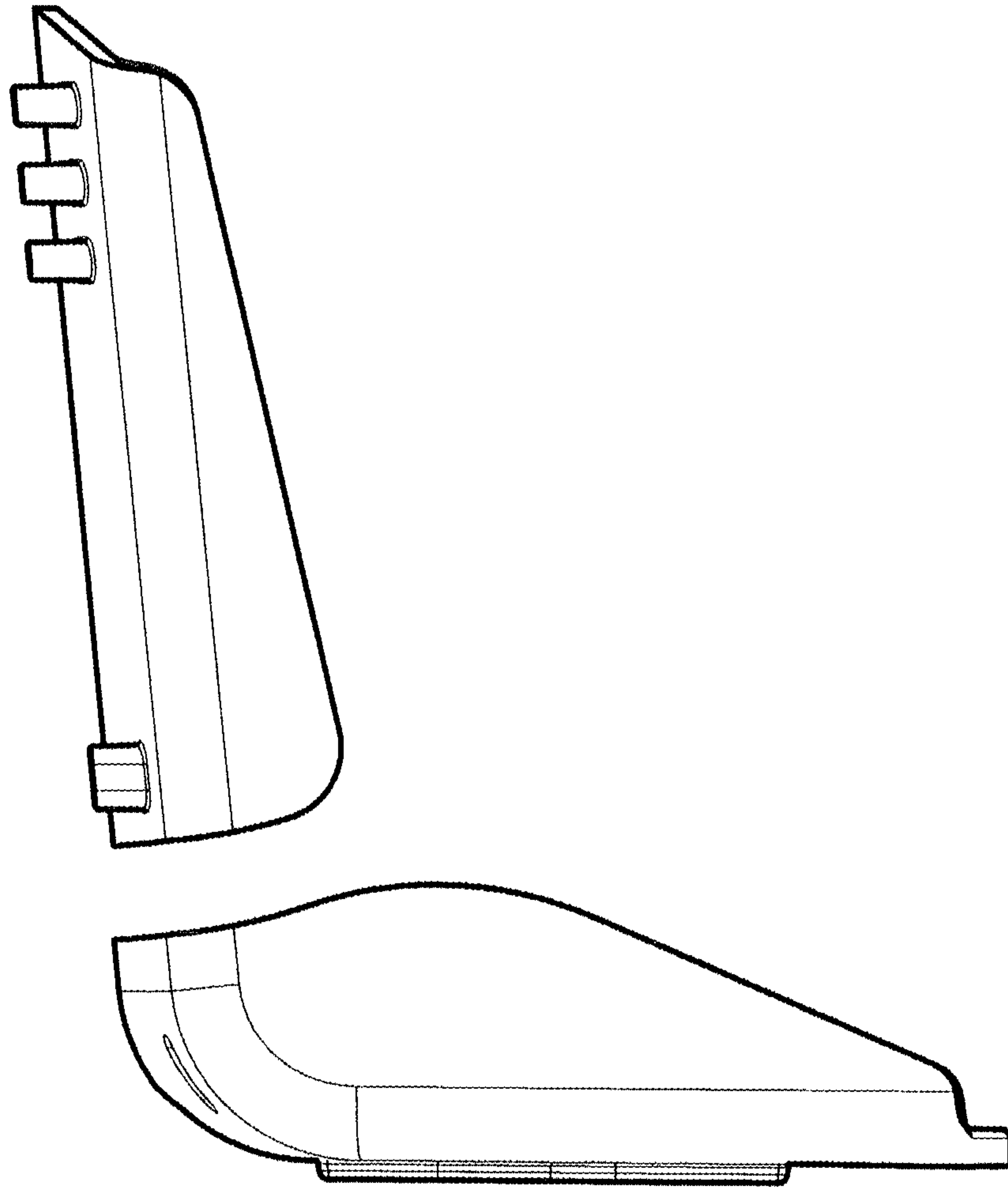


FIG. 37

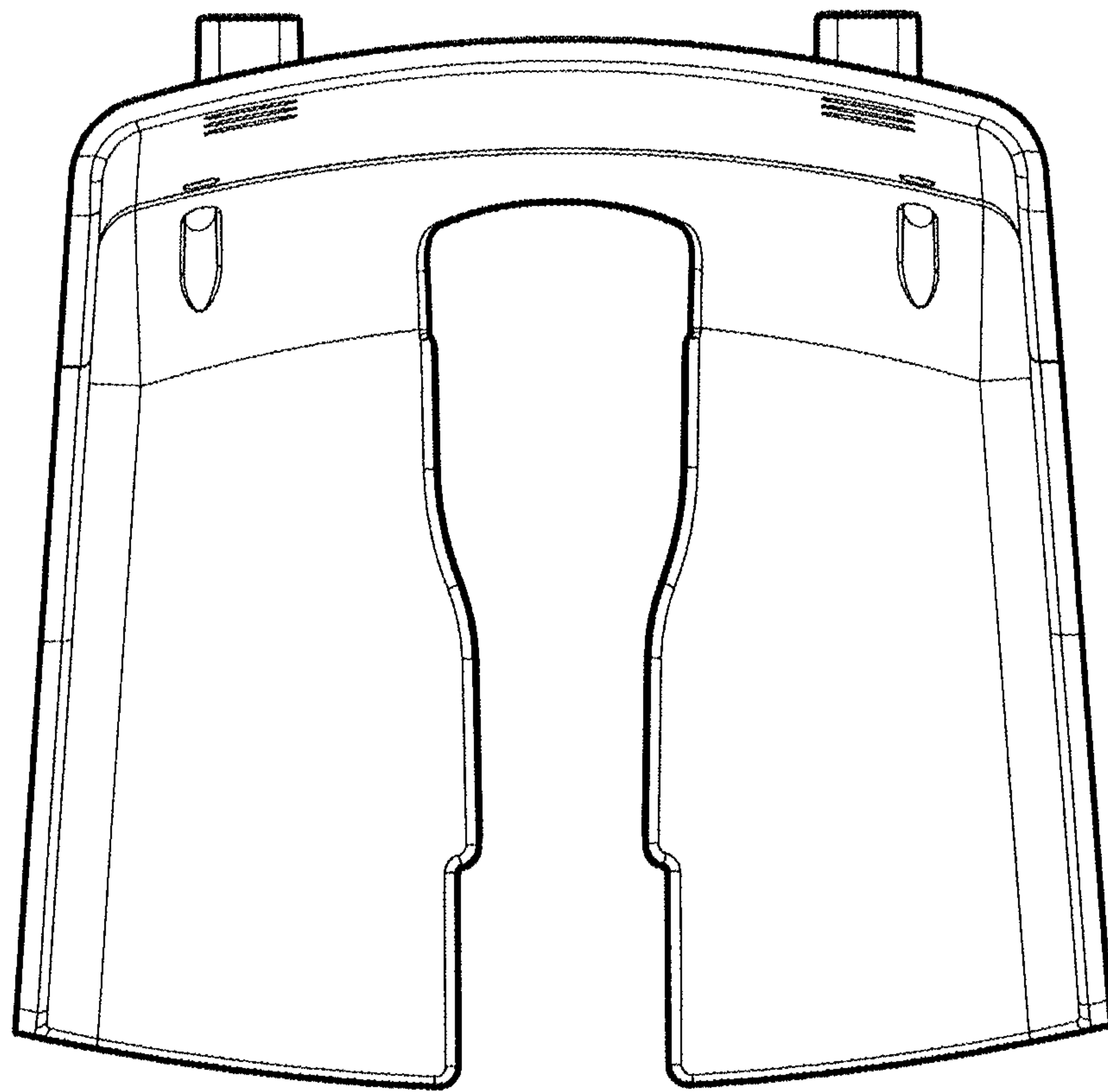


FIG. 38

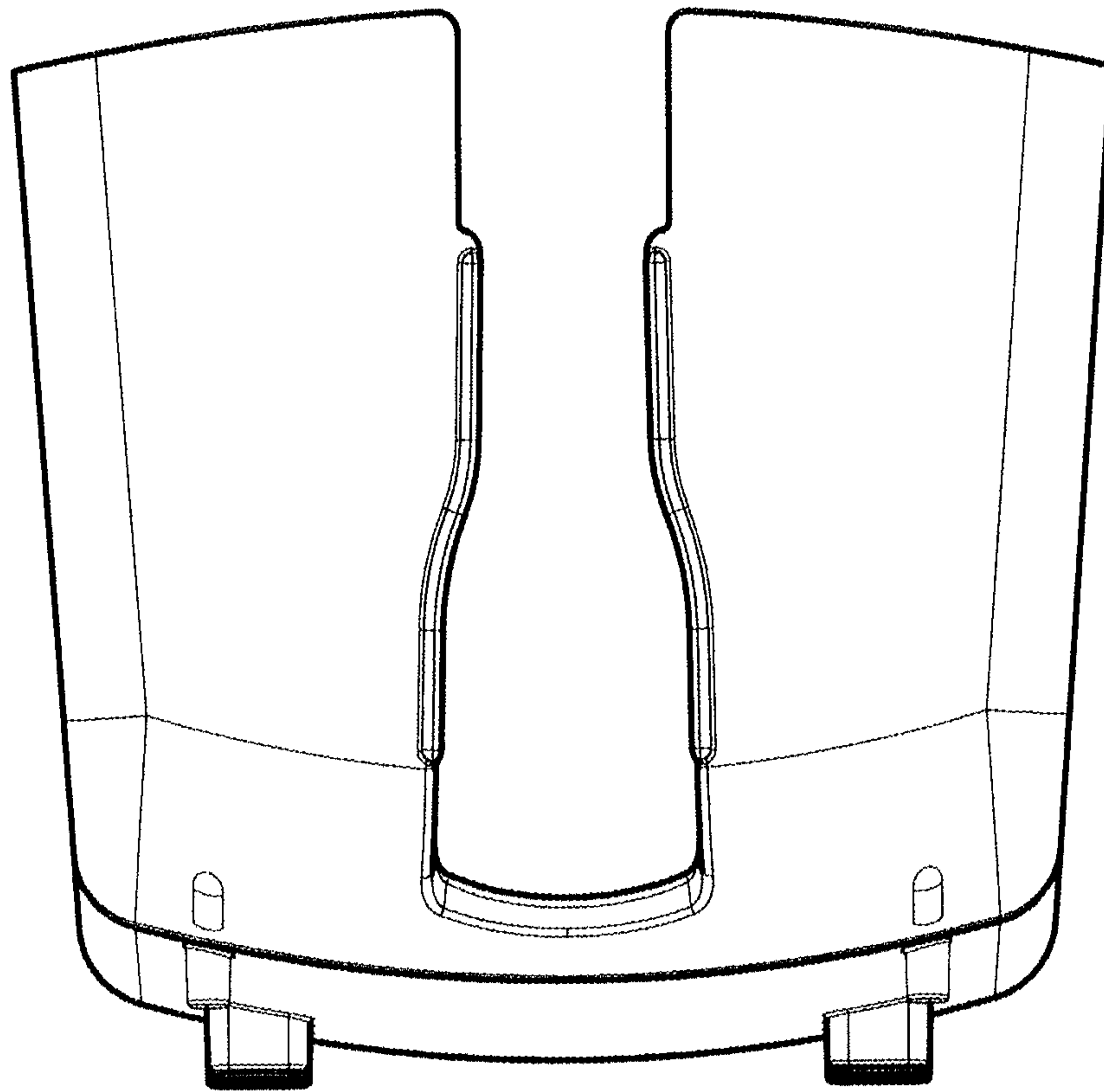


FIG. 39

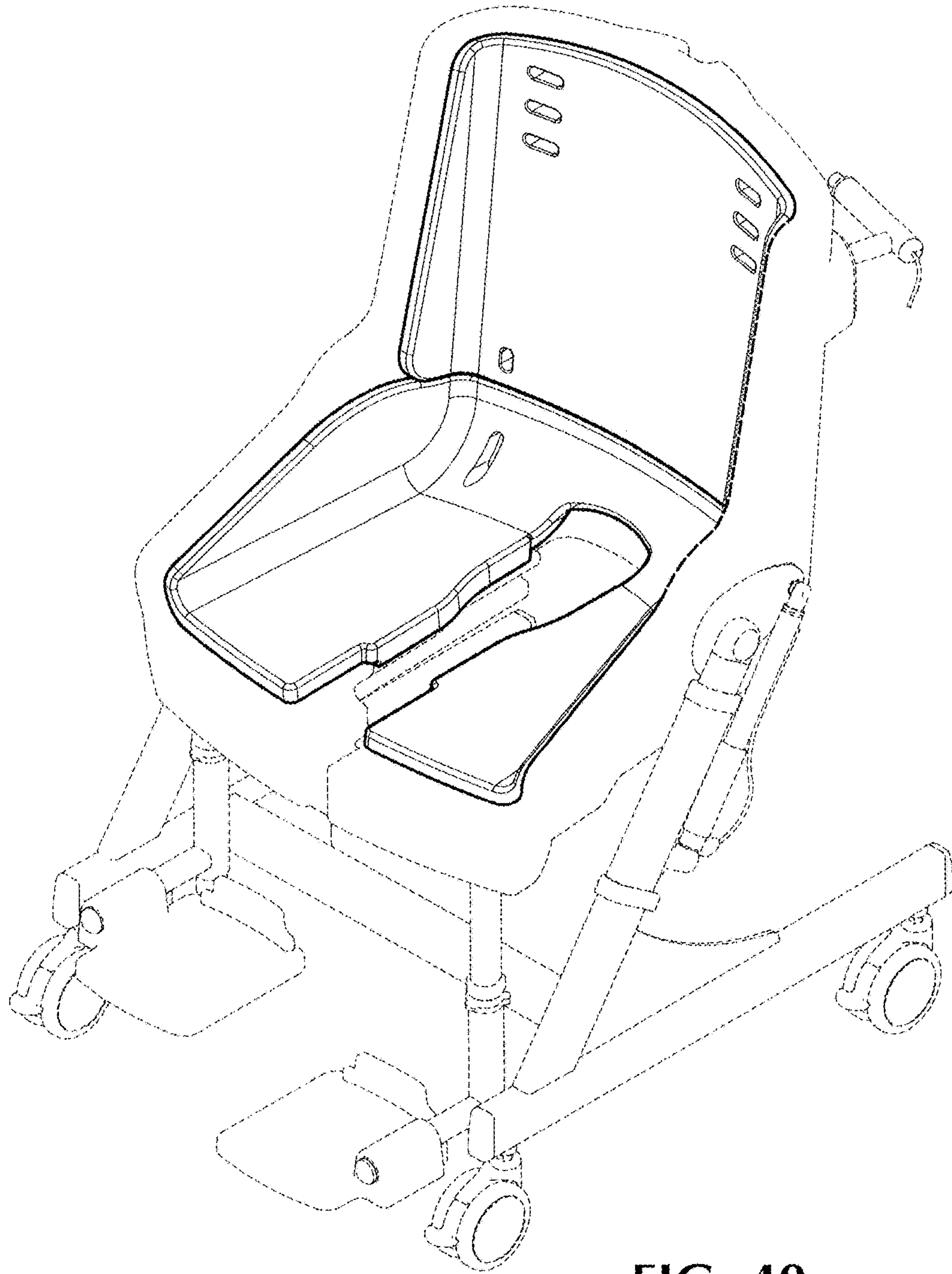


FIG. 40