



US00D823176S

(12) **United States Design Patent** (10) **Patent No.:** **US D823,176 S**
Baxla (45) **Date of Patent:** **** Jul. 17, 2018**

(54) **FOLLOW ME TRANSPORT**
(71) Applicant: **Howard Baxla**, Deltona, FL (US)
(72) Inventor: **Howard Baxla**, Deltona, FL (US)
(73) Assignee: **Howard Baxla**, Deltona, FL (US)
(**) Term: **15 Years**
(21) Appl. No.: **29/597,140**
(22) Filed: **Apr. 6, 2017**
(51) **LOC (11) Cl.** **12-12**
(52) **U.S. Cl.**
USPC **D12/133**
(58) **Field of Classification Search**
CPC **A61G 5/04; A61G 5/041-5/047; A61G 2005/048**
See application file for complete search history.

D721,016 S * 1/2015 Harding D12/131
D751,468 S * 3/2016 Stryker D12/131
D769,776 S * 10/2016 Barenbrug D12/133

* cited by examiner

Primary Examiner — Charles D Hanson
(74) *Attorney, Agent, or Firm* — Isaak R. Jama

(57) **CLAIM**

The ornamental design for a follow me transport, as shown and described.

DESCRIPTION

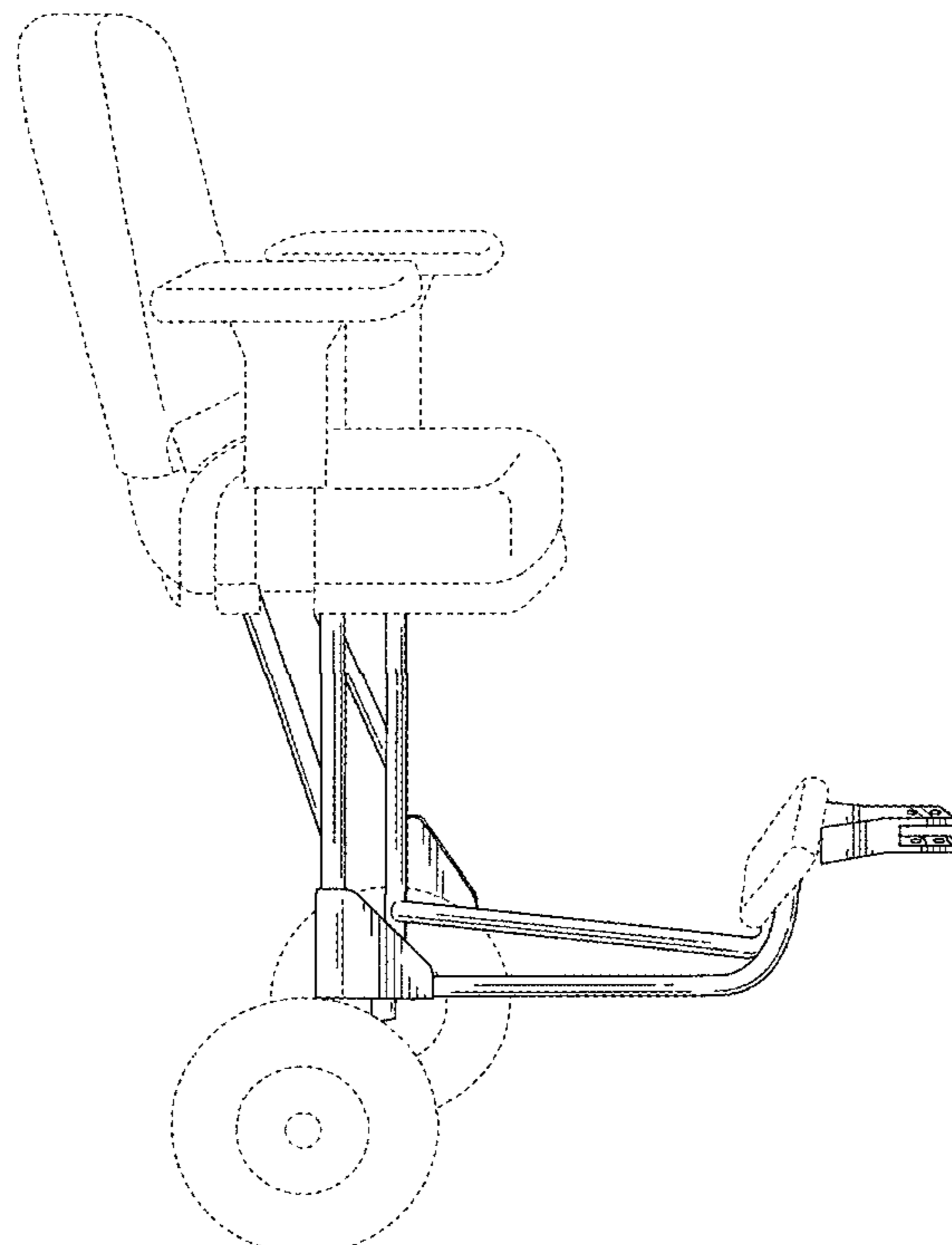
FIG. 1 is a side view of a follow me transport showing my new design;
FIG. 2 is a front view of the follow me transport design shown in FIG. 1;
FIG. 3 is a front view of the follow me transport design shown in FIG. 1;
FIG. 4 is a side view of the follow me transport design shown in FIG. 1;
FIG. 5 is a top view of the follow me transport design shown in FIG. 1;
FIG. 6 is a bottom view of the follow me transport design shown in FIG. 1; and,
FIG. 7 is a side view thereof, showing affixed to a towing scooter.
The broken line showing is included for the purpose of illustrating environment and forms no part of the claimed design.

(56) **References Cited**

U.S. PATENT DOCUMENTS

6,851,693 B2 * 2/2005 Haeggberg B62B 9/28 280/204
7,641,217 B2 * 1/2010 Yoo A61G 5/08 180/208
7,971,884 B2 * 7/2011 Lundh B62B 9/28 280/32.7
8,029,007 B2 * 10/2011 Jones B62D 63/00 280/204
D654,407 S * 2/2012 Zanderlehn D12/131
D682,749 S * 5/2013 Lai D12/133
D720,665 S * 1/2015 Lai D12/133

1 Claim, 7 Drawing Sheets



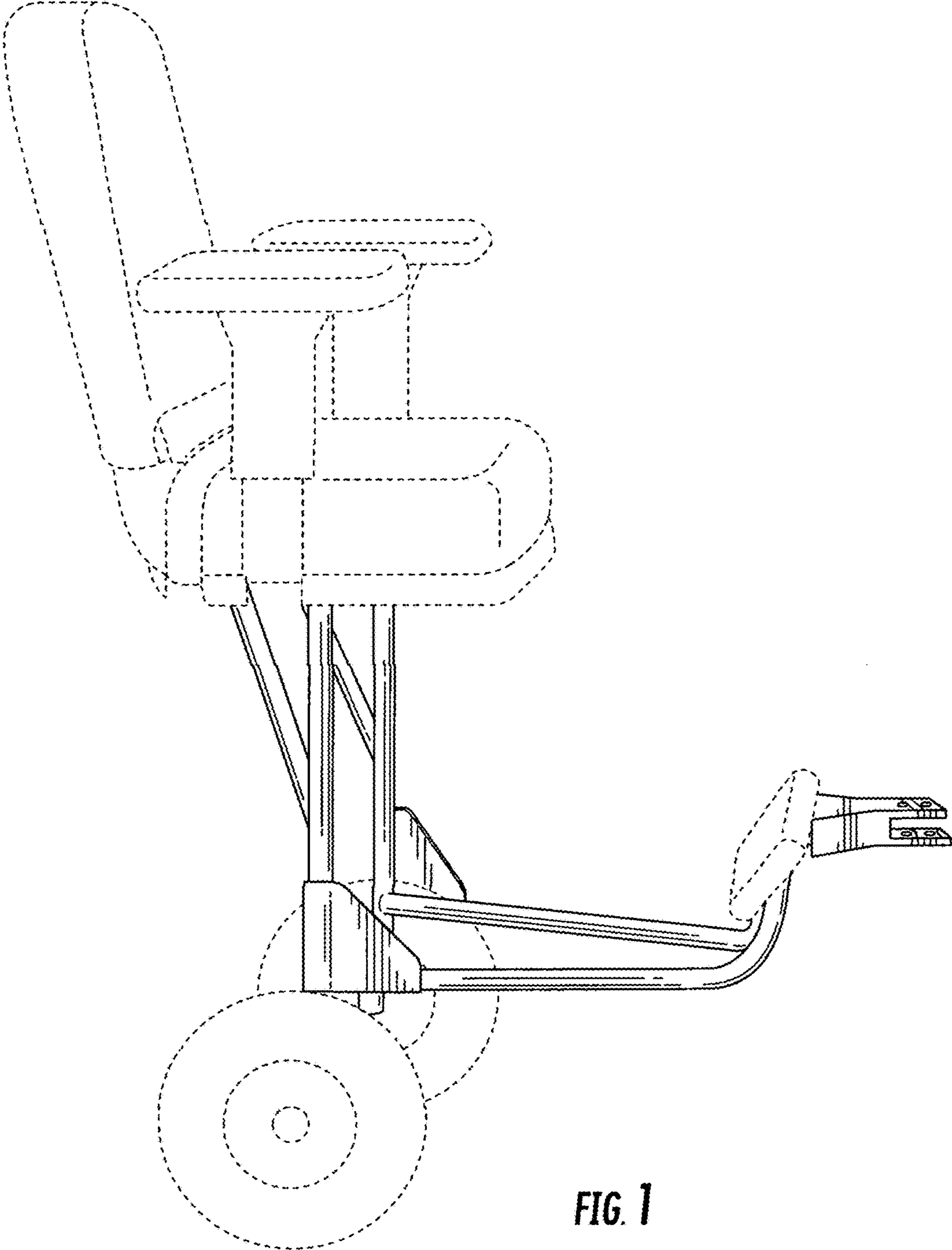


FIG. 1

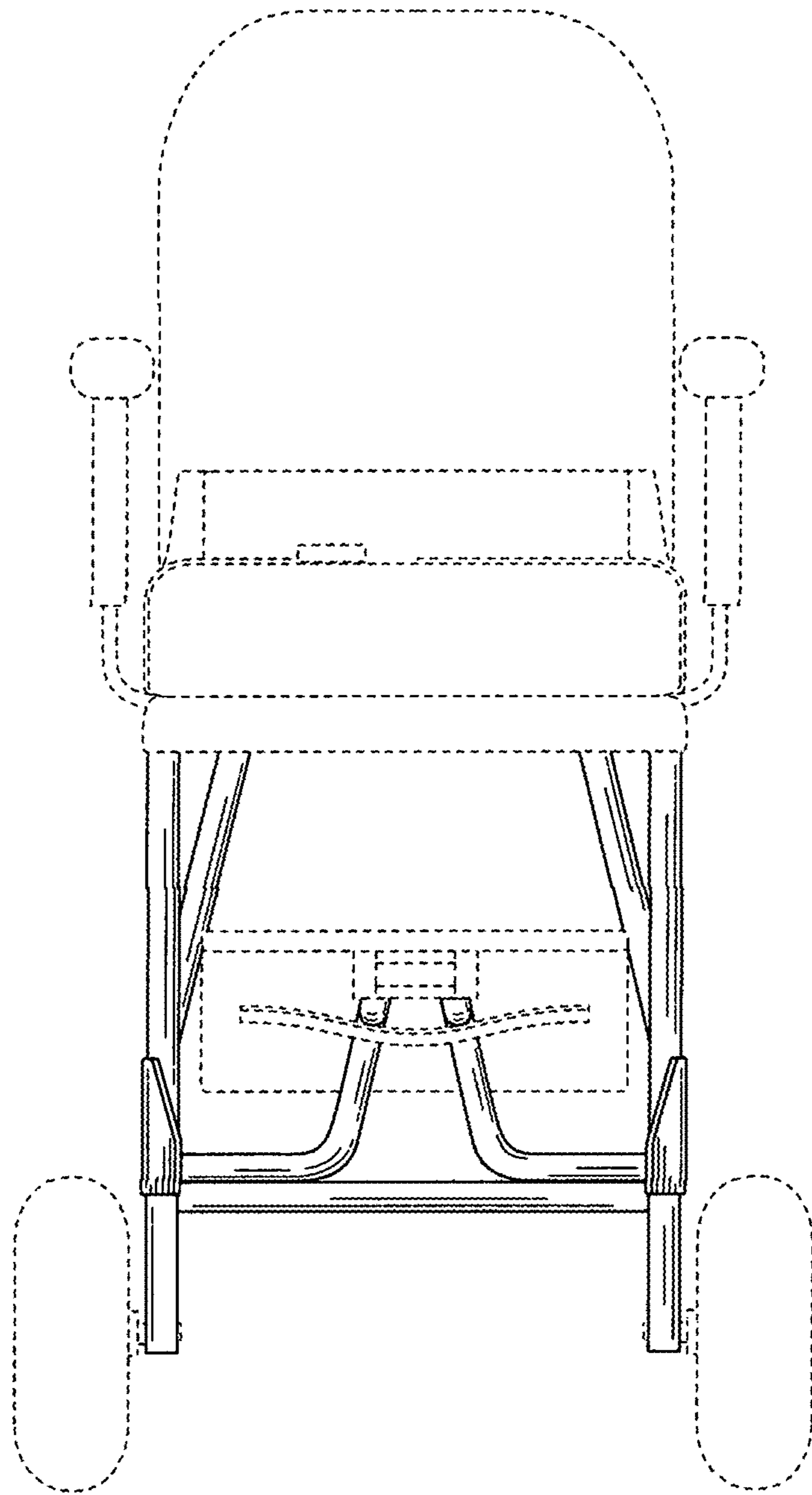


FIG. 2

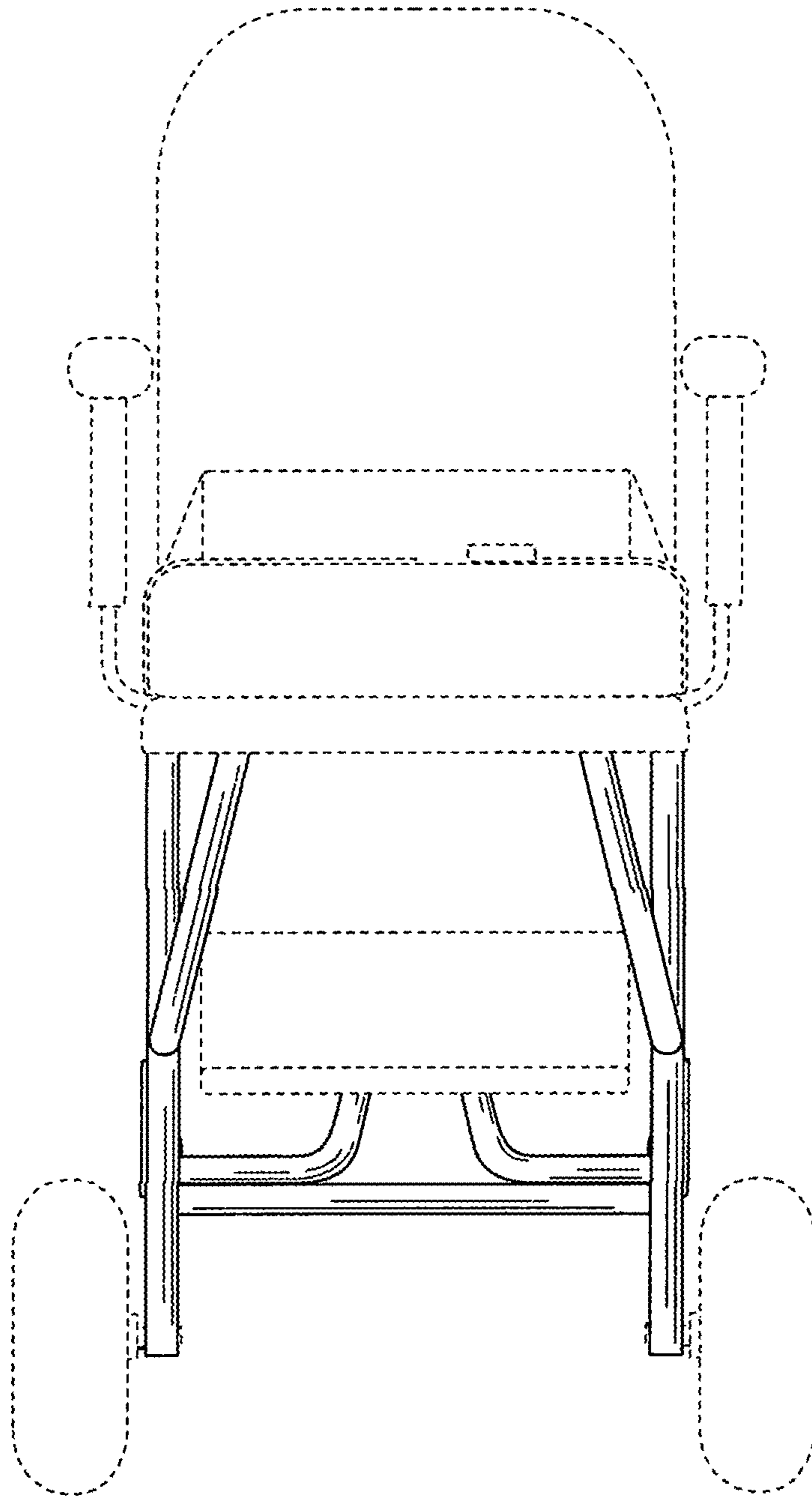


FIG. 3

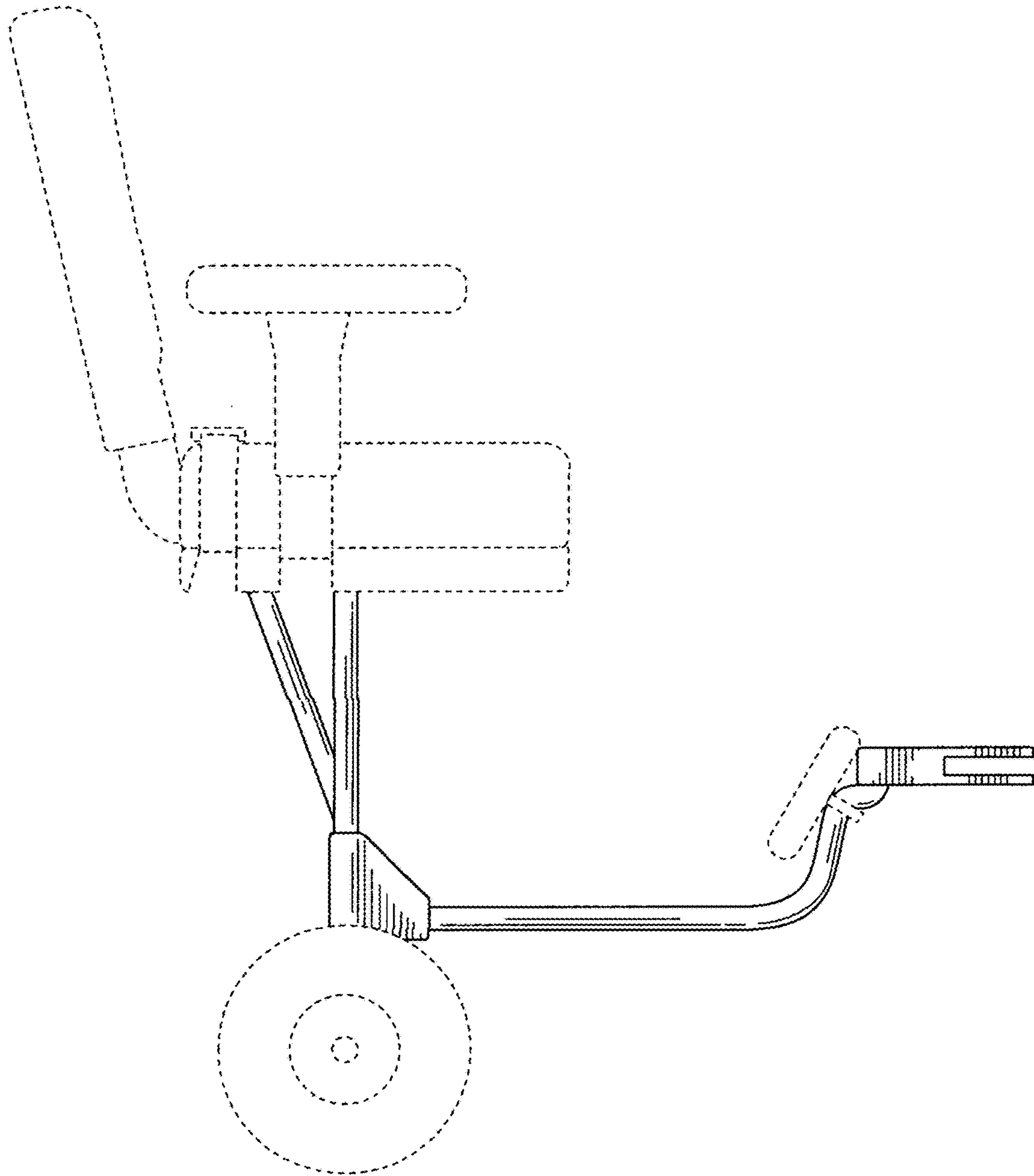


FIG. 4

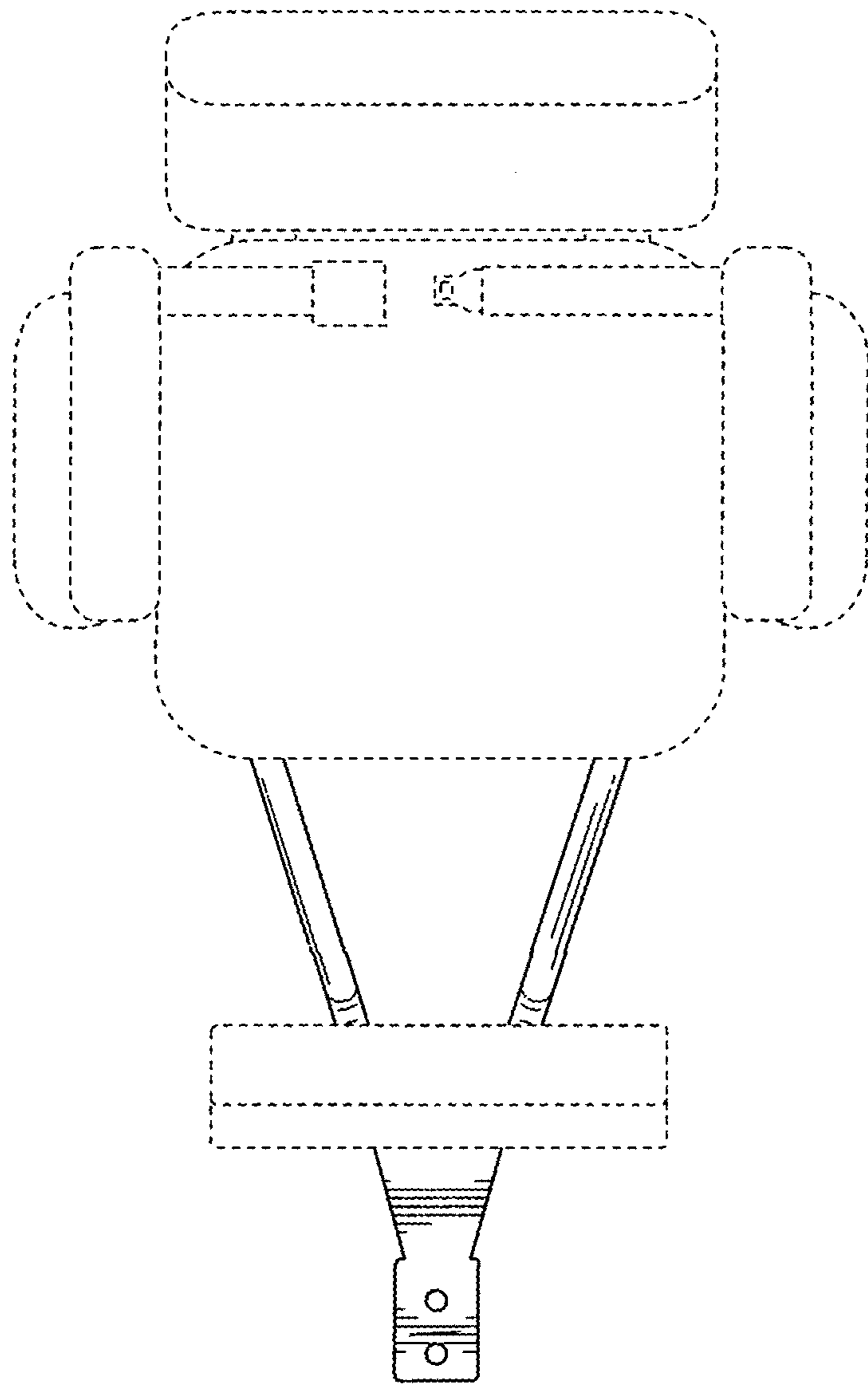


FIG. 5

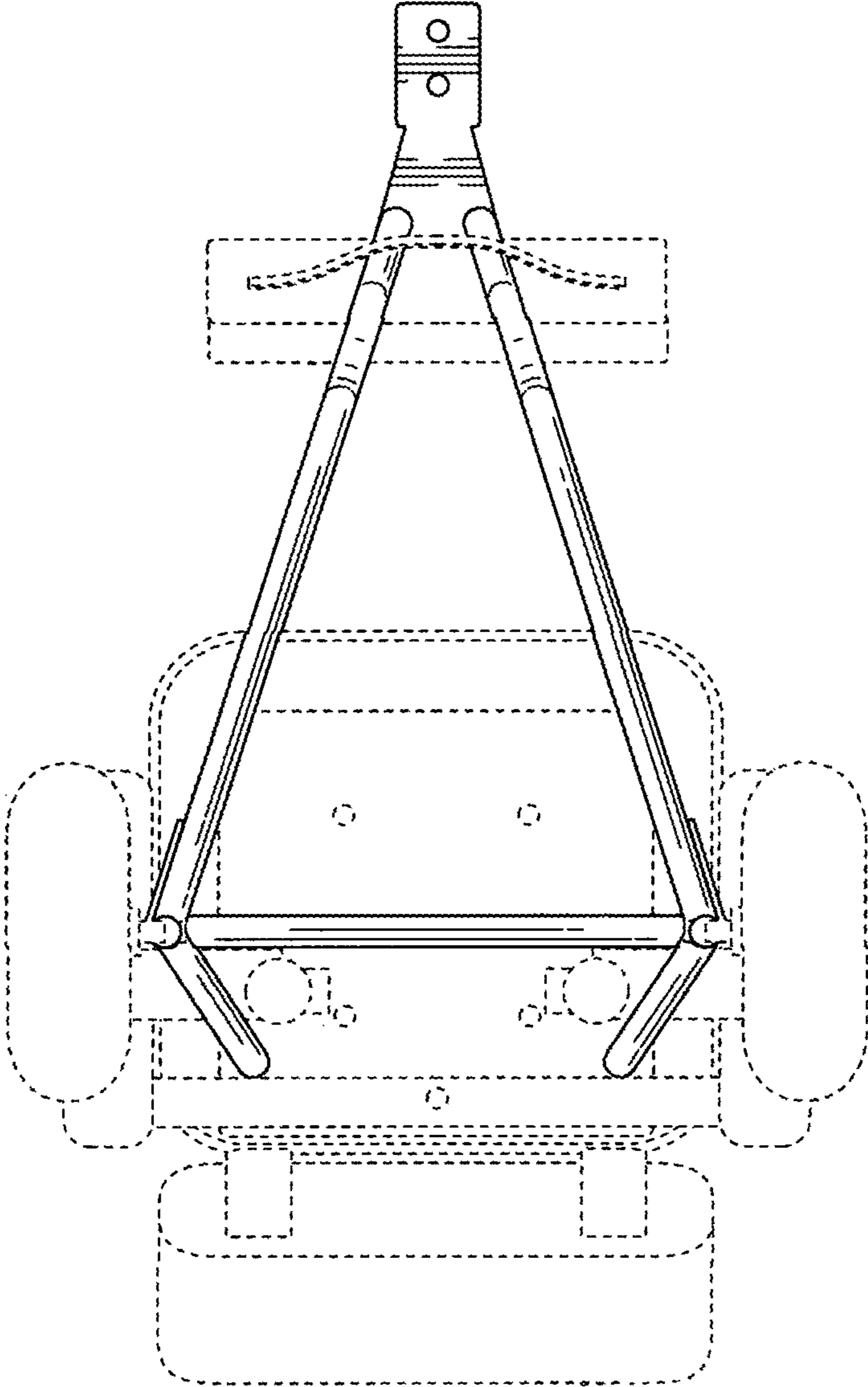


FIG. 6

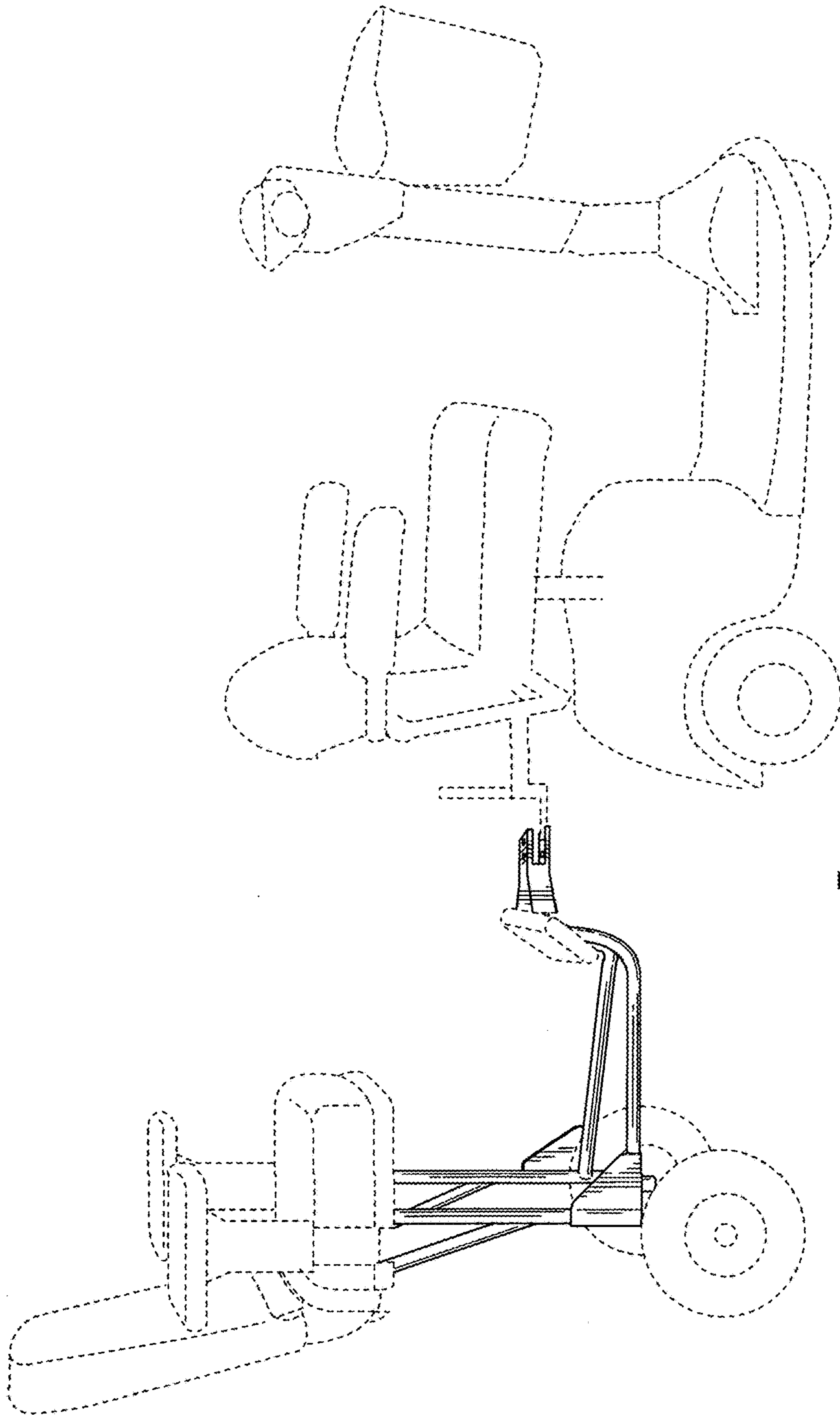


FIG. 7