



US00D823175S

(12) **United States Design Patent**  
**Theilmann**

(10) **Patent No.:** **US D823,175 S**  
(45) **Date of Patent:** **\*\* Jul. 17, 2018**

(54) **WHEELCHAIR**

(71) Applicant: **R82 A/S**, Gedved (DK)

(72) Inventor: **Rasmus Theilmann**, Horsens (DK)

(\*\*) Term: **15 Years**

(21) Appl. No.: **35/502,630**

(22) Filed: **Jan. 13, 2017**

(80) **Hague Agreement Data**

Int. Filing Date: **Jan. 13, 2017**

Int. Reg. No.: **DM/095061**

Int. Reg. Date: **Jan. 13, 2017**

Int. Reg. Pub. Date: **Mar. 17, 2017**

(51) **LOC (11) Cl.** ..... **12-12**

(52) **U.S. Cl.**  
USPC ..... **D12/131**

(58) **Field of Classification Search**  
USPC ..... D12/133, 131, 128  
CPC ..... A61G 2200/34  
See application file for complete search history.

(56) **References Cited**

**U.S. PATENT DOCUMENTS**

D622,641 S \* 8/2010 Chen ..... D12/131

D627,270 S \* 11/2010 Kretschmer ..... D12/131  
D635,895 S \* 4/2011 Jacobs ..... D12/131  
D757,614 S \* 5/2016 Reaux ..... D12/133  
D765,561 S \* 9/2016 Reaux ..... D12/133  
D780,642 S \* 3/2017 Karshmer ..... D12/133  
D782,372 S \* 3/2017 Eddy ..... D12/131  
D801,232 S \* 10/2017 Menichini ..... D12/131

\* cited by examiner

*Primary Examiner* — George D. Kirschbaum

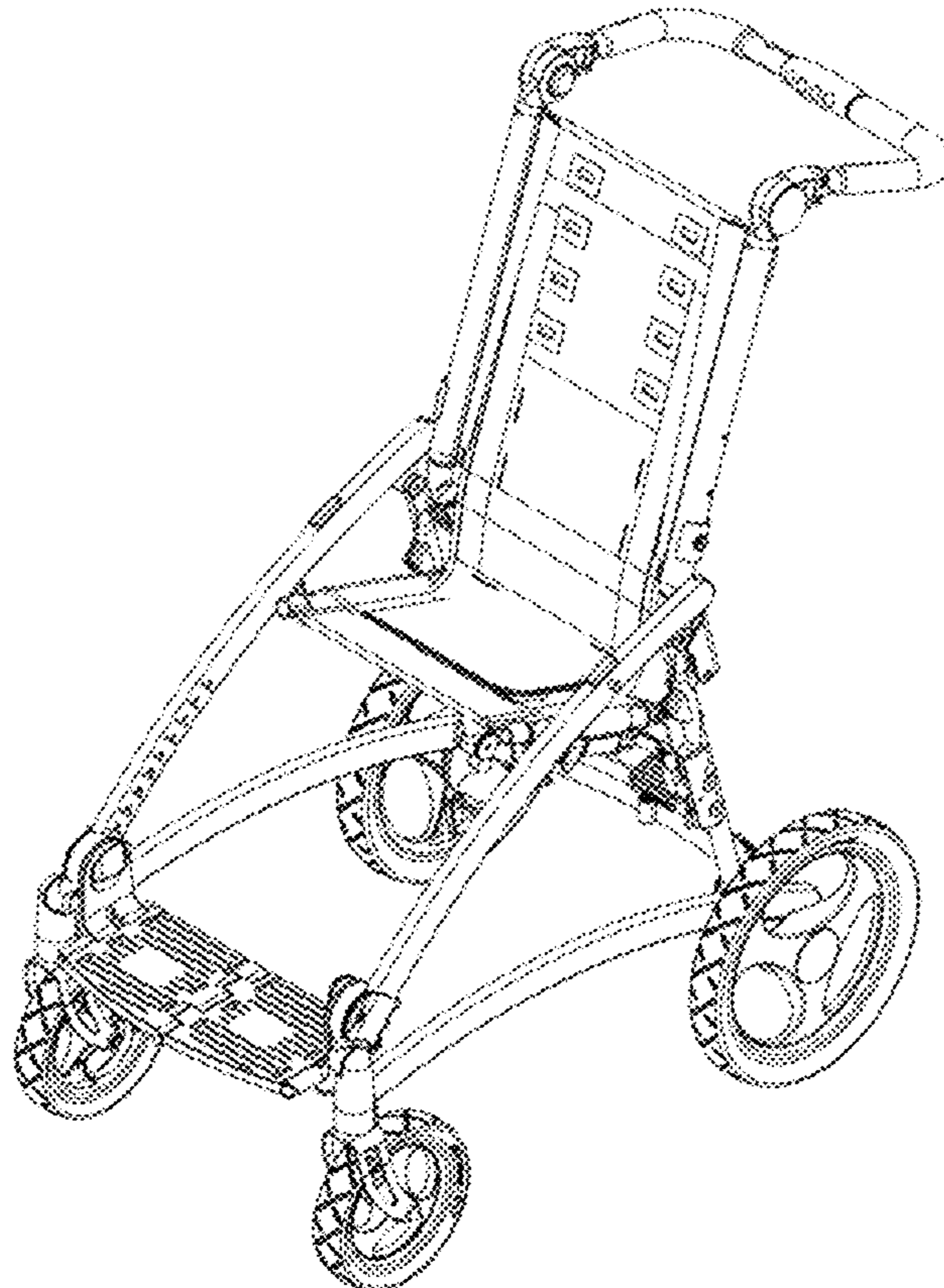
(57) **CLAIM**

The ornamental design for a wheelchair, as shown and described.

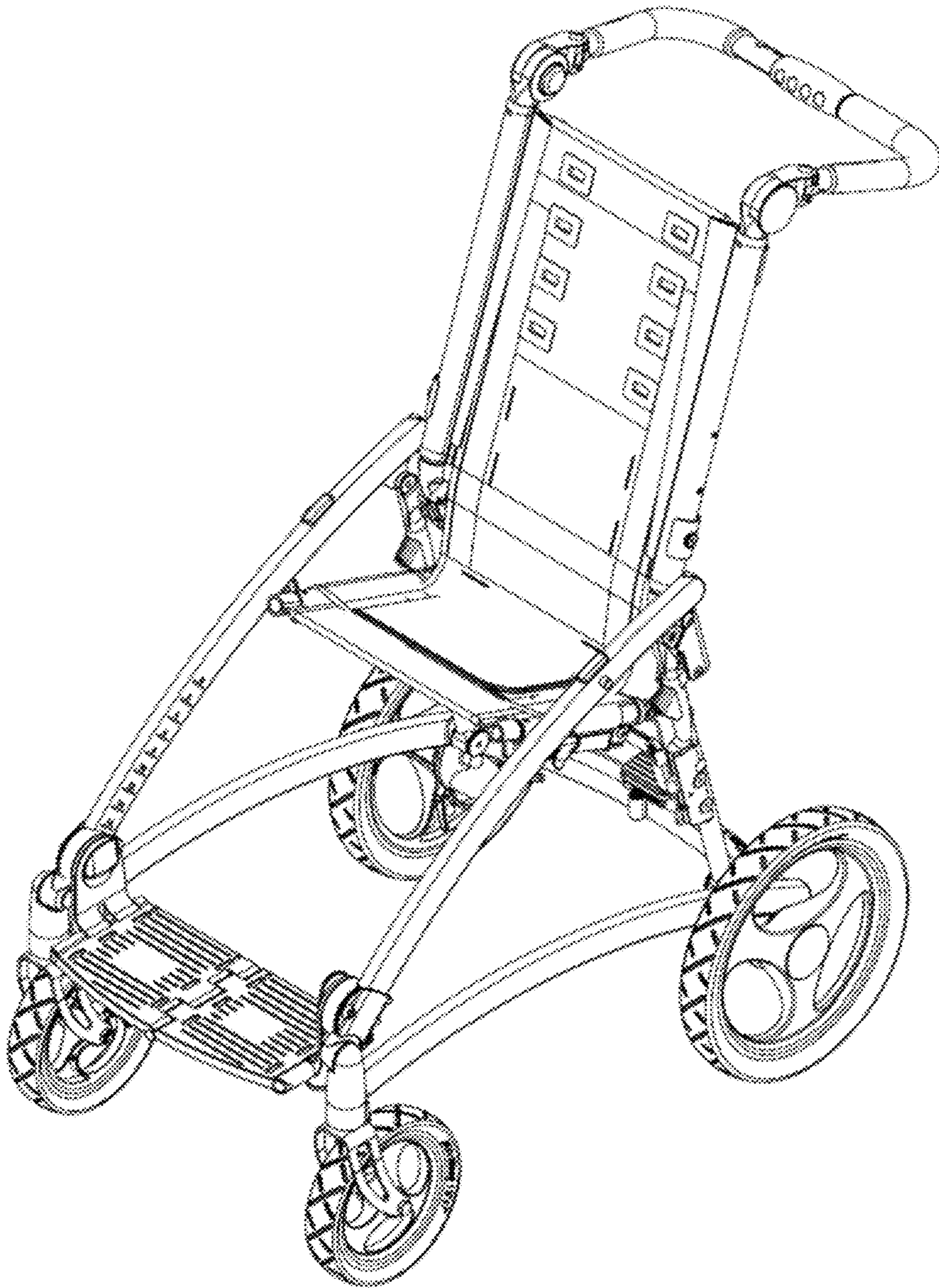
**DESCRIPTION**

1. Wheelchair  
Fig. 1.1 is a perspective view of the wheelchair; fig. 1.2 is a bottom view of the wheelchair; fig. 1.3 is a front view of the wheelchair; fig. 1.4 is a right side view of the wheelchair; fig. 1.5 is a rear view of the wheelchair; fig. 1.6 is a left side view of the wheel chair; fig. 1.7 is a top view of the wheelchair.

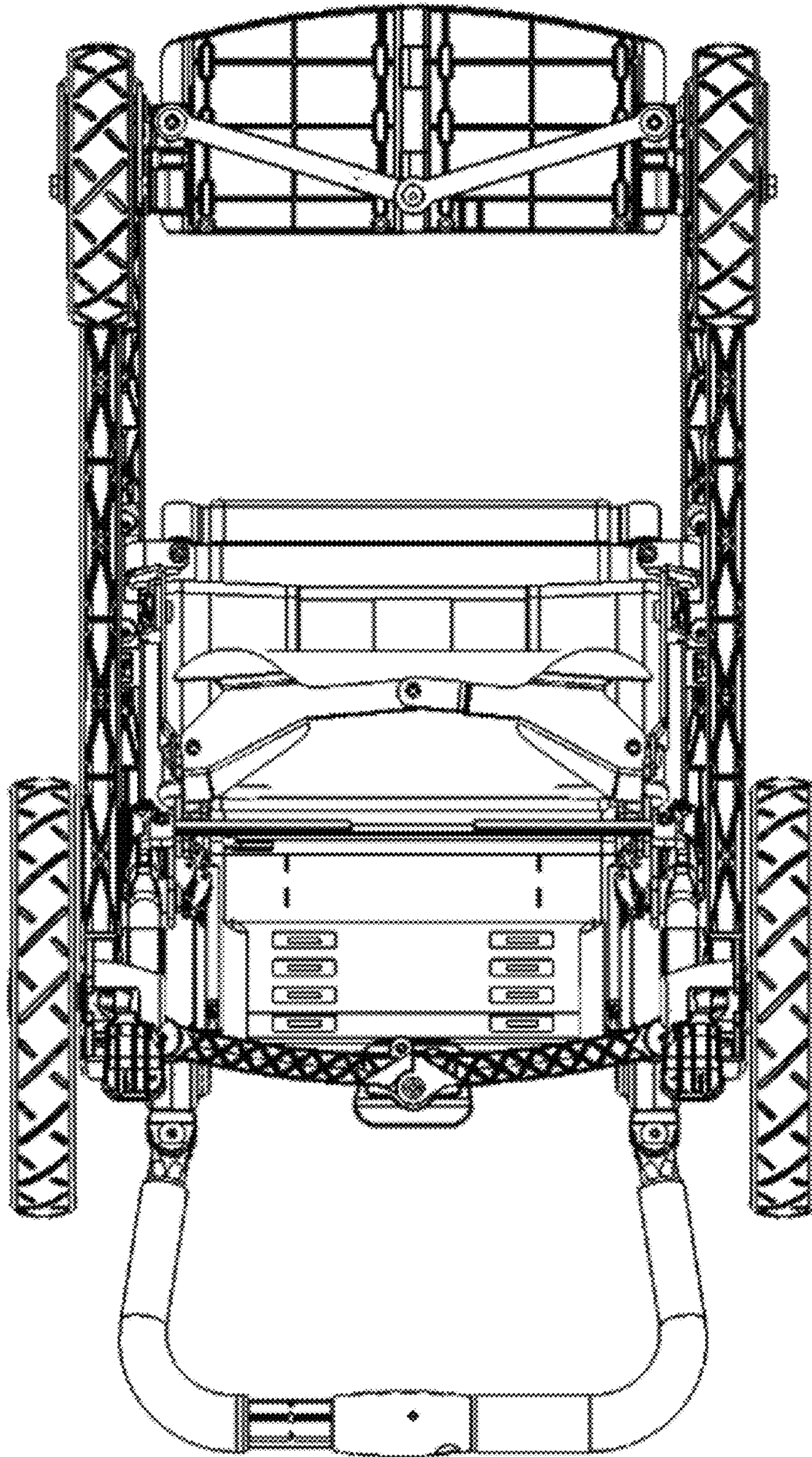
**1 Claim, 7 Drawing Sheets**



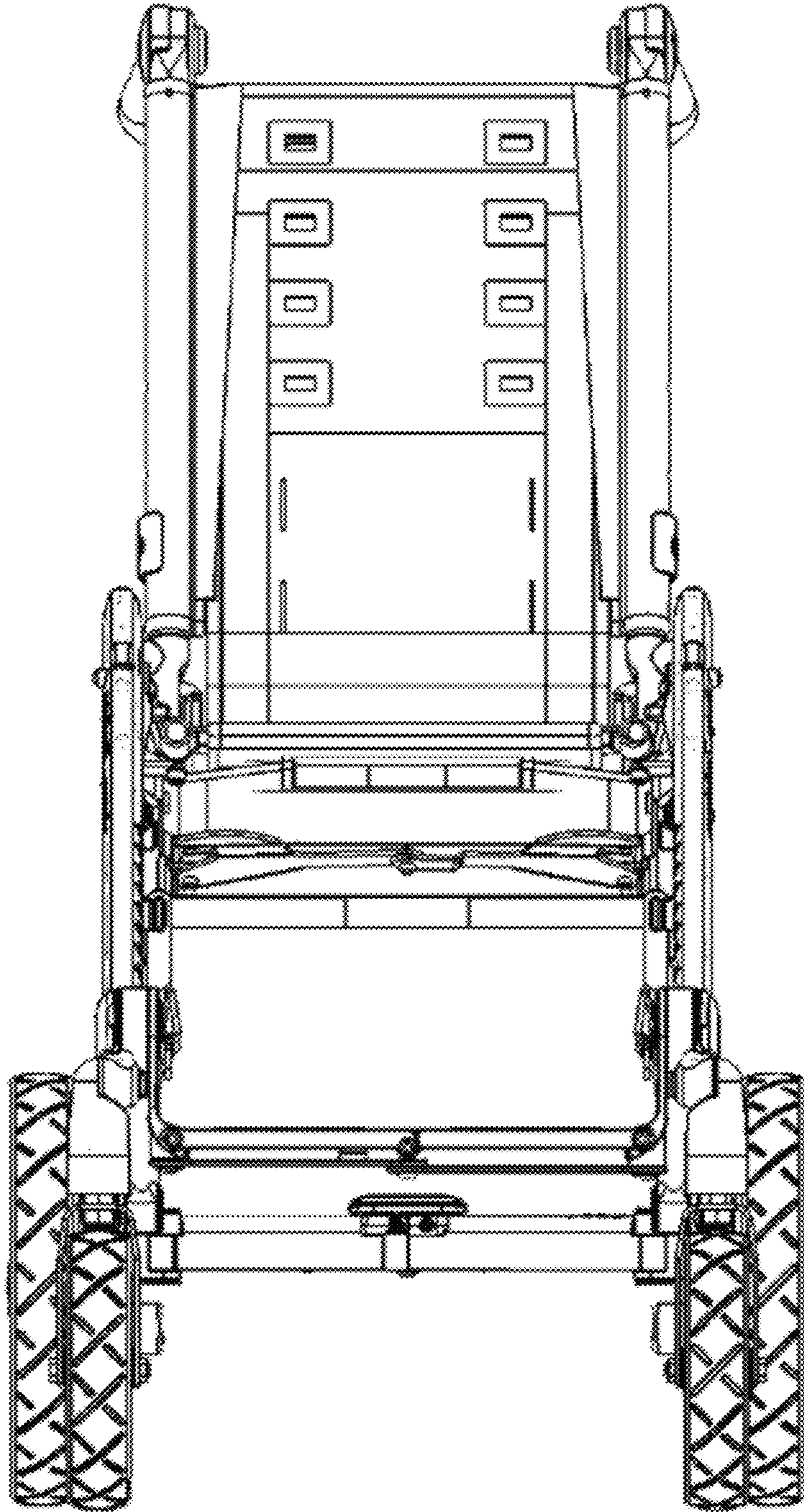
1.1



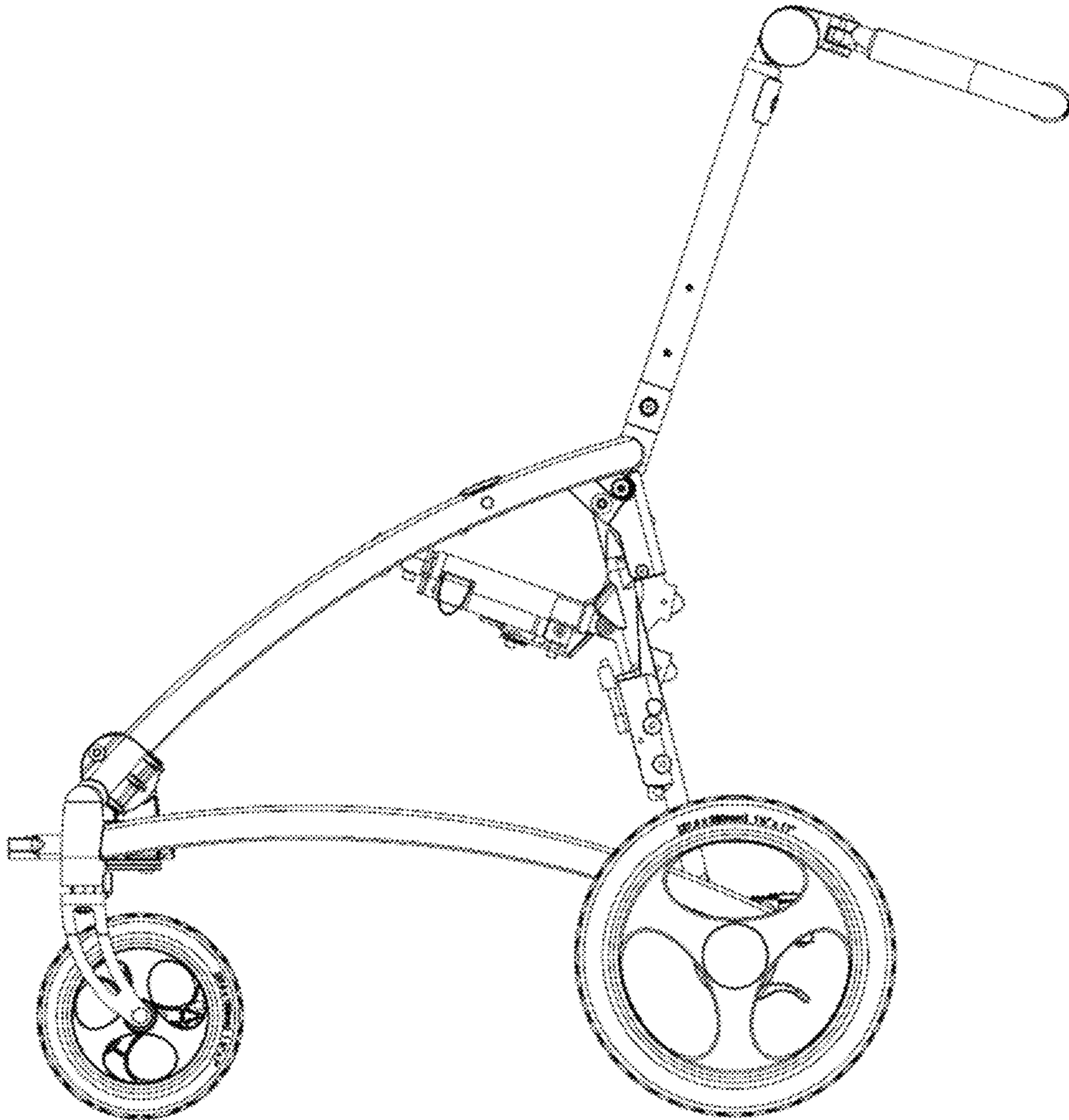
1.2



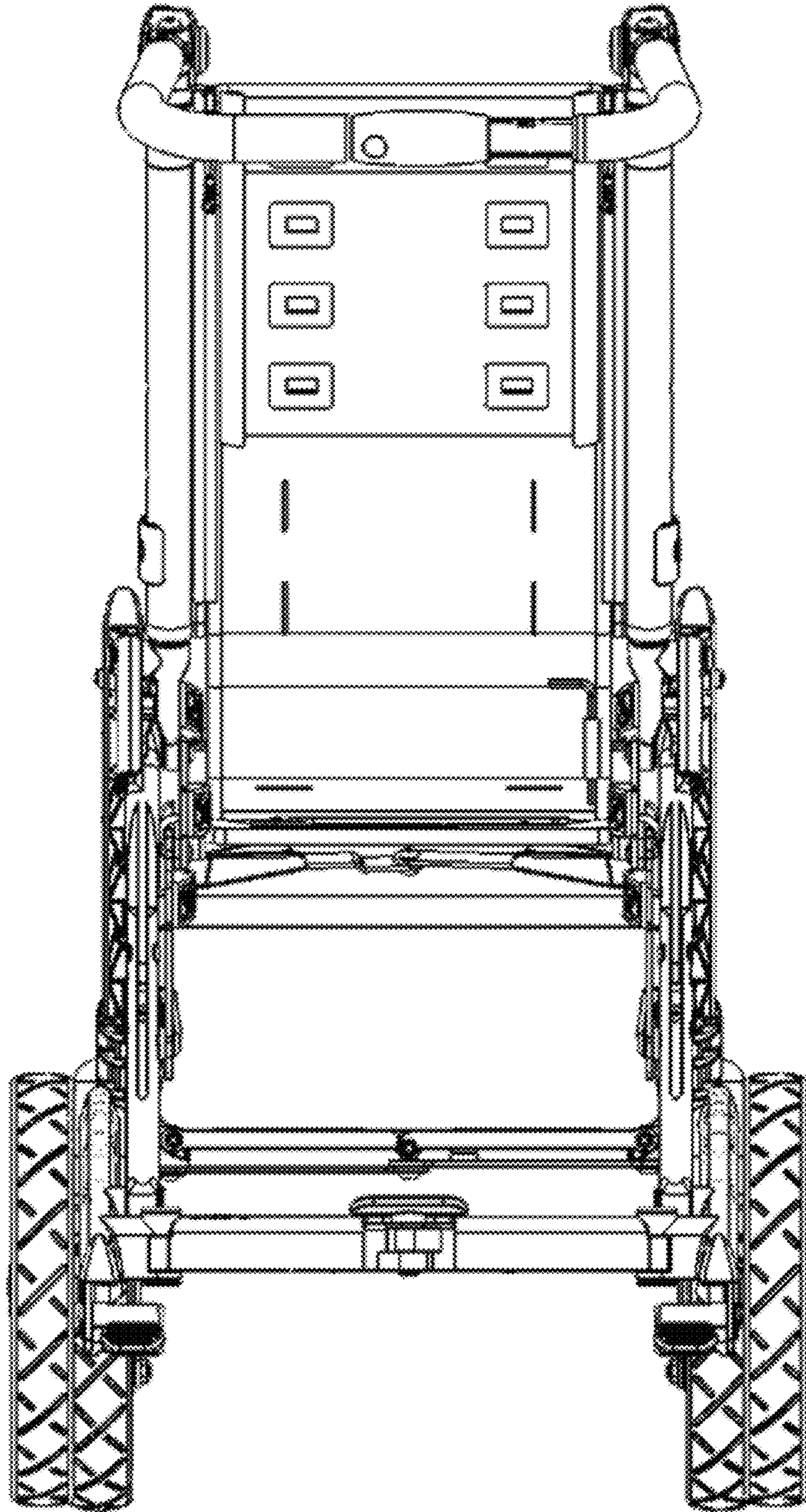
1.3



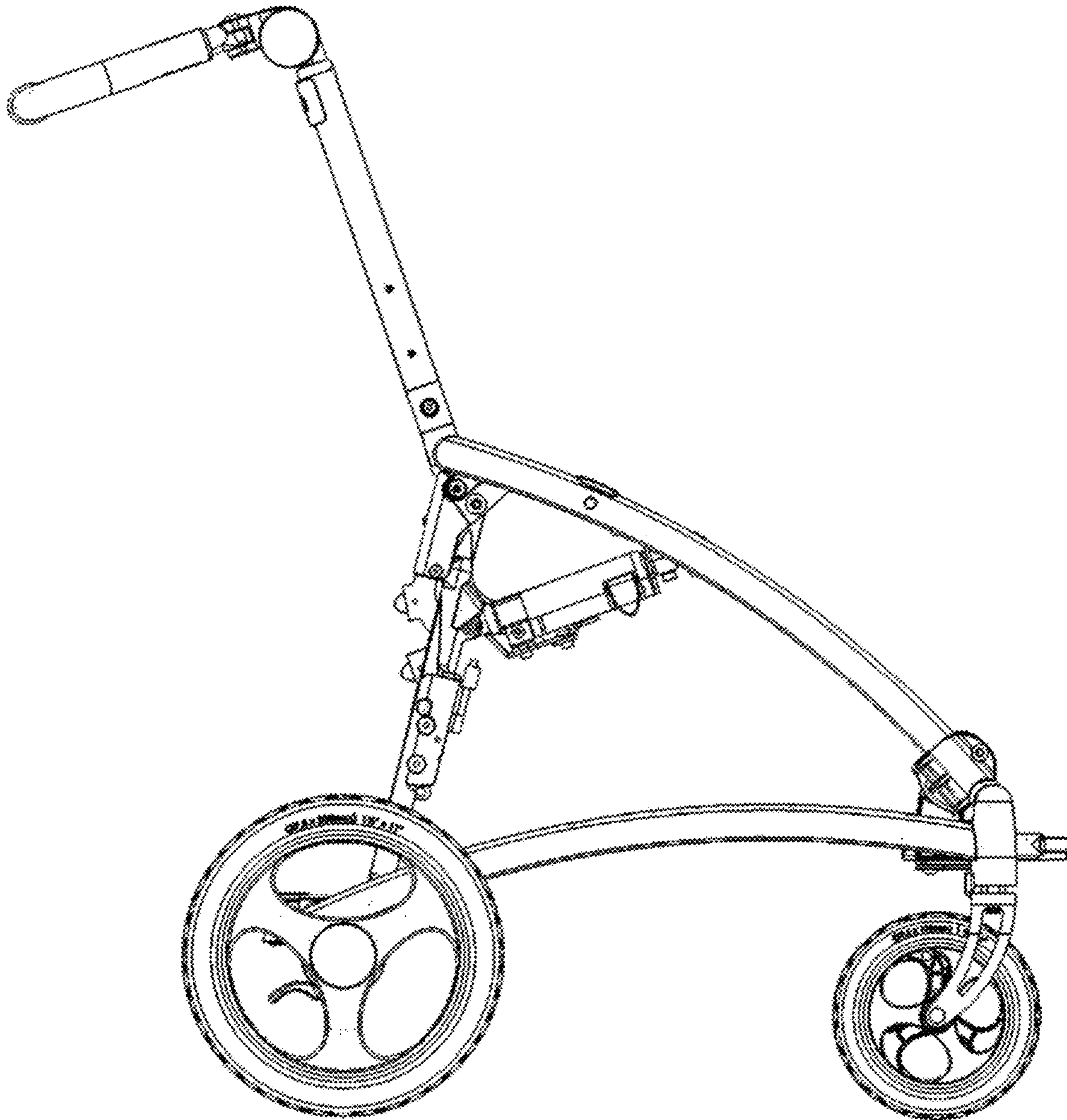
1.4



1.5



1.6



1.7

