



US00D823173S

(12) **United States Design Patent**  
**Eikenberry et al.**

(10) **Patent No.:** **US D823,173 S**

(45) **Date of Patent:** **\*\* Jul. 17, 2018**

- (54) **DECORATIVE WALKER**
- (71) Applicants: **Michael George Eikenberry**, Kokomo, IN (US); **Anita Diane Eikenberry**, Kokomo, IN (US)
- (72) Inventors: **Michael George Eikenberry**, Kokomo, IN (US); **Anita Diane Eikenberry**, Kokomo, IN (US)
- (\*\*) Term: **15 Years**
- (21) Appl. No.: **29/608,917**
- (22) Filed: **Jun. 27, 2017**
- (51) **LOC (11) Cl.** ..... **12-12**
- (52) **U.S. Cl.**  
USPC ..... **D12/130**
- (58) **Field of Classification Search**  
USPC ..... D12/130  
CPC ..... A61H 3/00; A61H 3/04; A61H 2003/001–2003/007; A61H 2003/043; A61H 2003/046  
See application file for complete search history.

4,907,839	A *	3/1990	Rose	.....	A61H 3/00	135/67
5,188,139	A *	2/1993	Garelick	.....	A61H 3/00	135/67
5,201,333	A *	4/1993	Shalmon	.....	A61H 3/00	135/67
5,649,558	A *	7/1997	Richard	.....	A61H 3/00	135/67
D404,345	S *	1/1999	Donets	.....	D12/130	
D474,133	S *	5/2003	Cerelli	.....	D12/130	
D494,109	S *	8/2004	Karasin	.....	D12/130	
D497,846	S *	11/2004	LeBlanc	.....	D12/130	
D561,650	S *	2/2008	Owens	.....	D12/130	
D567,151	S *	4/2008	Owens	.....	D12/130	
8,316,870	B2	11/2012	Morris			
D732,697	S	6/2015	Stanislavsky			
D751,951	S *	3/2016	Andersen	.....	D12/130	

\* cited by examiner

*Primary Examiner* — Charles D Hanson

(74) *Attorney, Agent, or Firm* — Lachenmaier Law Firm

(57) **CLAIM**

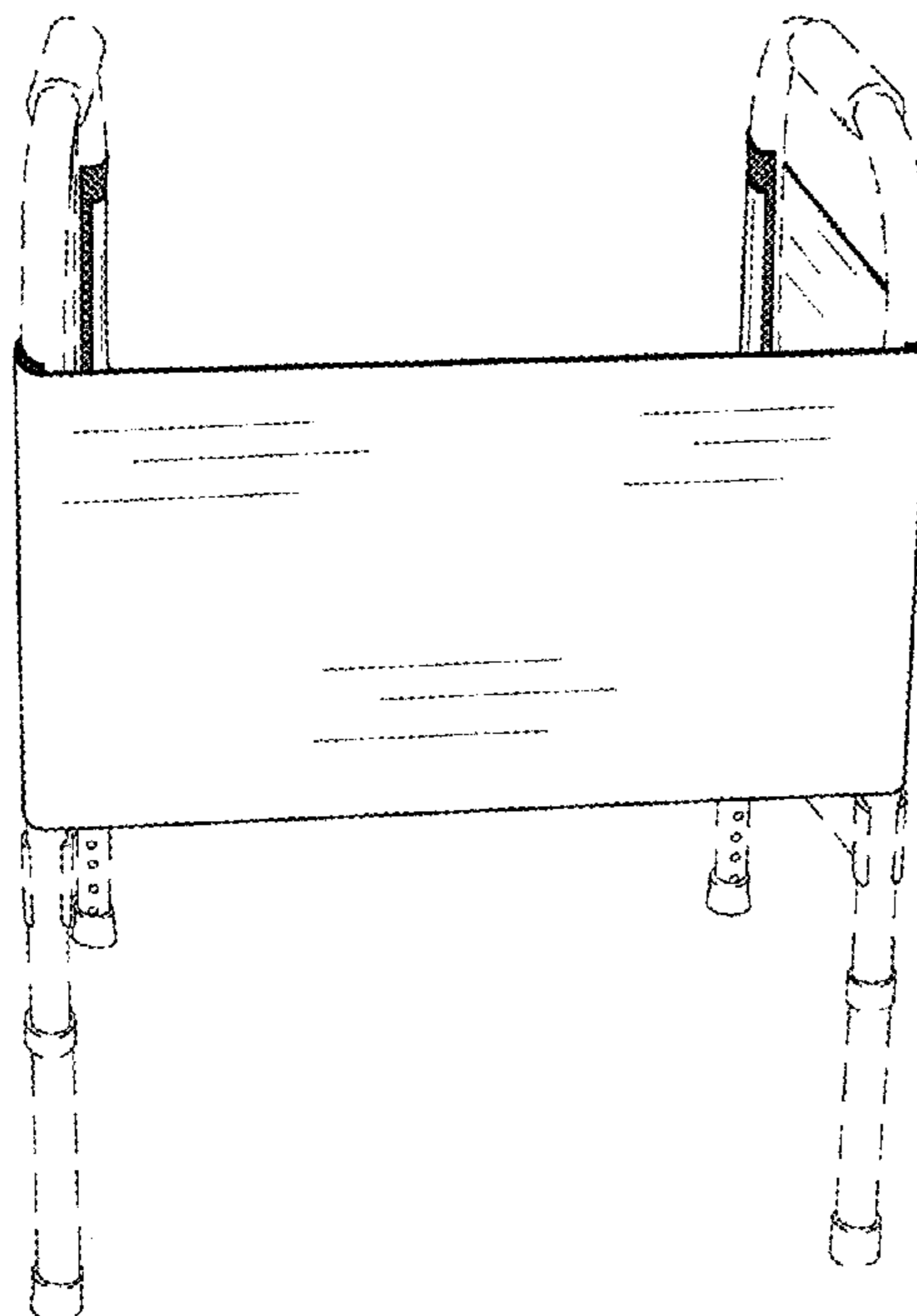
The ornamental design for a decorative walker, as shown and described.

**DESCRIPTION**

FIG. 1 is a front perspective view of a decorative walker. FIG. 2 is a right side perspective view thereof; and, FIG. 3 is a left side perspective view thereof. The broken lines on FIGS. 1, 2 and 3 represent a walker and form no part of this invention.

**1 Claim, 3 Drawing Sheets**

- (56) **References Cited**  
U.S. PATENT DOCUMENTS  
4,800,910 A \* 1/1989 Gamm ..... A61H 3/04 135/67  
4,800,911 A \* 1/1989 Endres ..... A61H 3/00 135/67



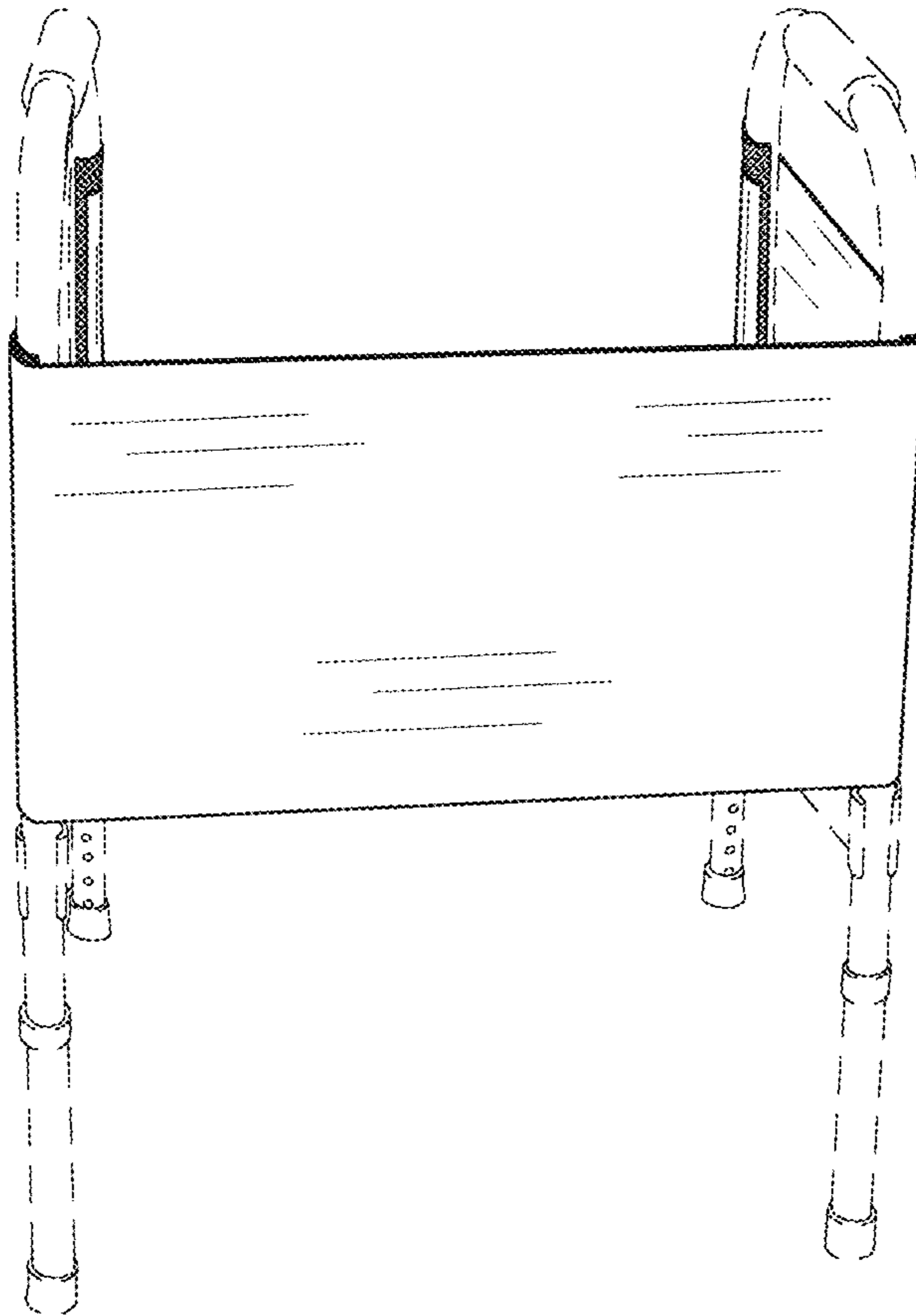


FIG. 1

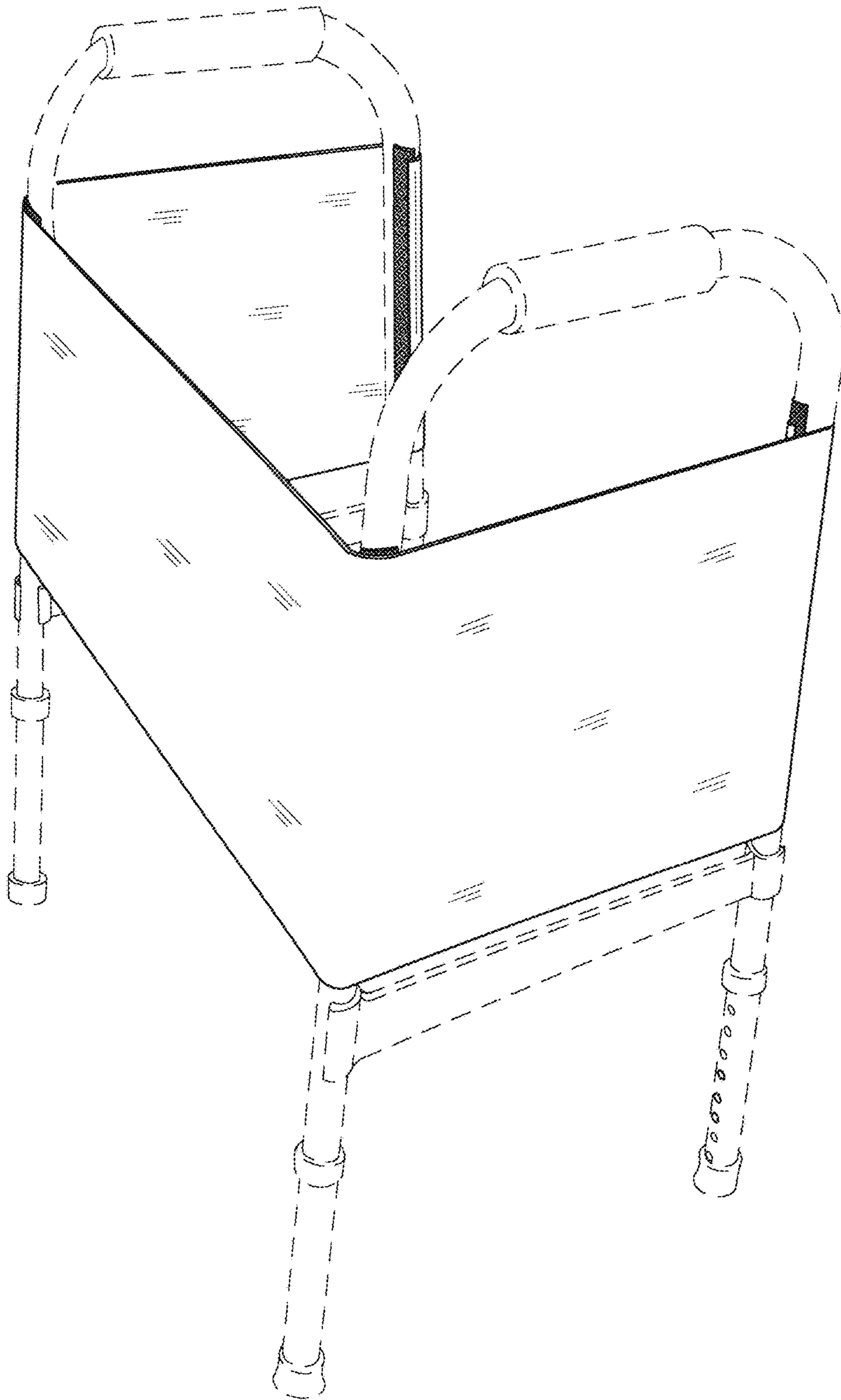


FIG. 2

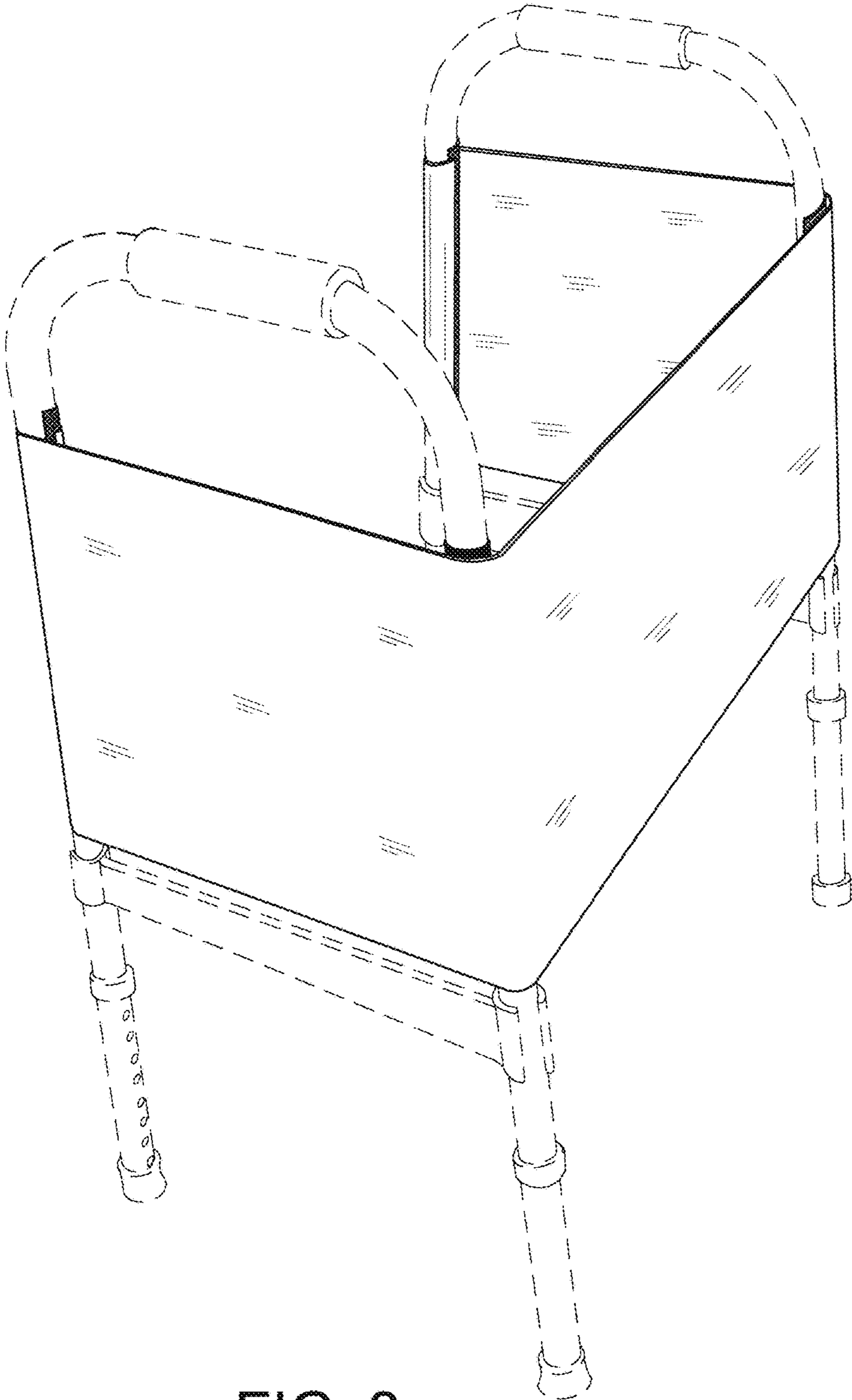


FIG. 3