



US00D823170S

(12) **United States Design Patent**
Finney et al.

(10) **Patent No.:** **US D823,170 S**
(45) **Date of Patent:** **** Jul. 17, 2018**

(54) **CAMPER TRAILER**

(71) Applicant: **Taxa Inc.**, Houston, TX (US)
(72) Inventors: **Garrett S. Finney**, Houston, TX (US);
Nicholas Allison, Conroe, TX (US)

(73) Assignee: **TAXA INC.**, Houston, TX (US)

(**) Term: **15 Years**

(21) Appl. No.: **29/577,676**

(22) Filed: **Sep. 14, 2016**

(51) **LOC (11) Cl.** **12-10**

(52) **U.S. Cl.**
USPC **D12/103**

(58) **Field of Classification Search**
USPC D12/93, 94, 95, 96, 97, 98, 99, 100, 101,
D12/102, 103, 104, 105, 106, 400, 406,
D12/412, 413, 414, 414.1
CPC .. B60P 1/56; B60P 3/222; B60P 3/224; B23K
31/02
See application file for complete search history.

(56) **References Cited**

U.S. PATENT DOCUMENTS

D187,786 S *	5/1960	Clark	D12/103
D211,630 S *	7/1968	Hodgson	D12/102
D242,851 S *	12/1976	Sakow	D12/103
D256,348 S *	8/1980	Galloway	D12/96
D271,388 S *	11/1983	Bourke	D12/103
D458,190 S *	6/2002	LeDonne	D12/102
D625,667 S *	10/2010	Oviedo	D12/102
D659,595 S *	5/2012	Eliason	D12/102
D691,925 S *	10/2013	Hindle	D12/101
D737,725 S *	9/2015	Bell	D12/102
D737,726 S *	9/2015	Austin	D12/104
D742,815 S *	11/2015	Shaw	D12/103
2012/0291847 A1 *	11/2012	Rowe, Jr.	H02S 30/20 136/245

OTHER PUBLICATIONS

Youtube.com. "Mount Comfort RV Video Blog 3 | Taxa Tiger Moth" Uploaded Dec. 4, 2015. Retrieved Jun. 20, 2017. (<https://www.youtube.com/watch?v=FeWR2b-jRNw>).*

* cited by examiner

Primary Examiner — Karen S Acker

Assistant Examiner — Jerry Shiuan-Hua Hsu

(74) *Attorney, Agent, or Firm* — Husch Blackwell LLP

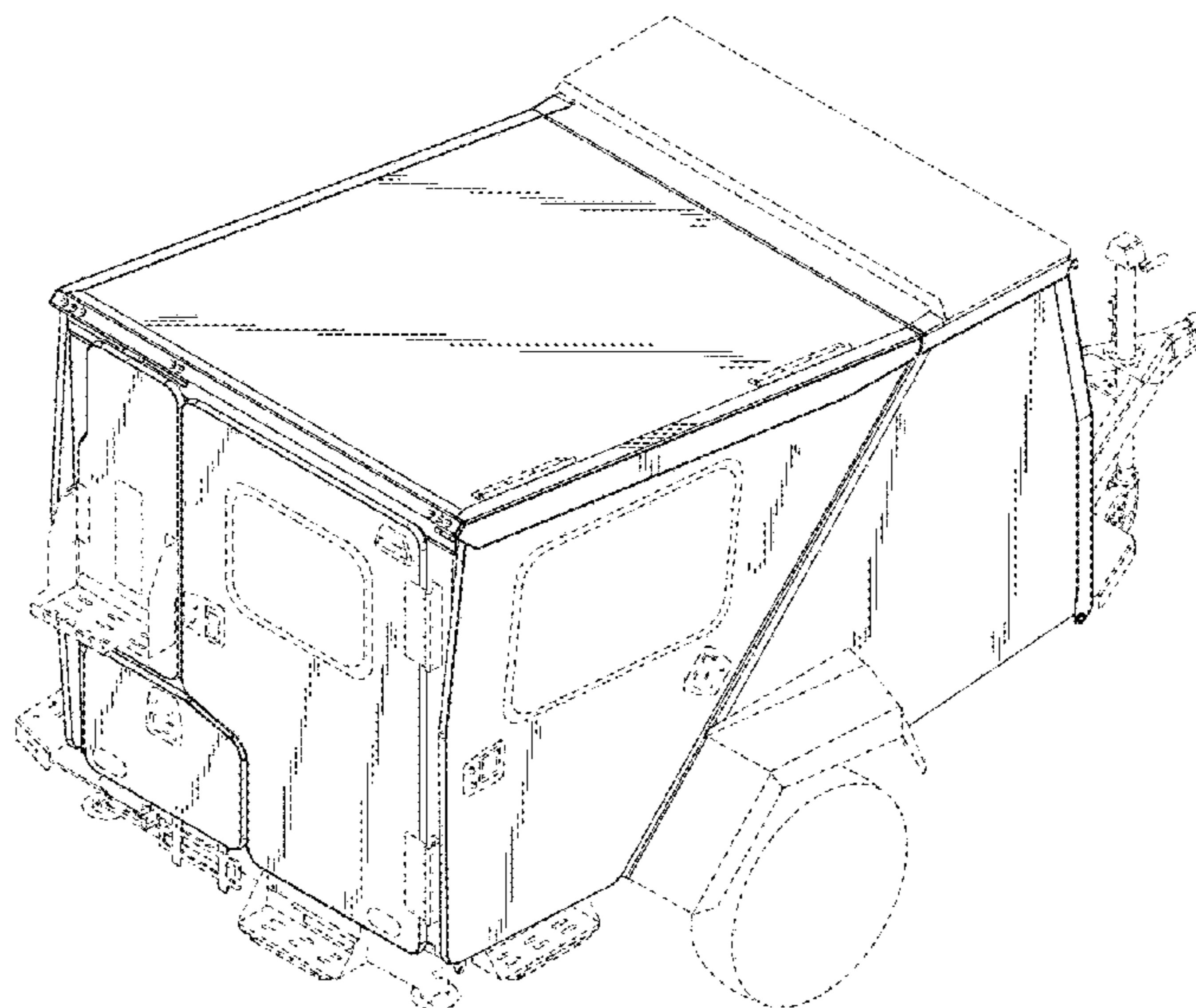
(57) **CLAIM**

The ornamental design for a camper trailer, as shown and described.

DESCRIPTION

FIG. 1 is a perspective view from the top right rear of the camper trailer;
FIG. 2 is a front elevational view thereof;
FIG. 3 is a left side elevational view thereof;
FIG. 4 is a rear elevational view thereof;
FIG. 5 is the right side elevational view thereof;
FIG. 6 is a top plan view thereof; and
FIG. 7 is a perspective view from the front right side thereof;
FIG. 8 is a top perspective view of another embodiment of the design of the camper trailer from the top rear right thereof;
FIG. 9 is a front side elevational view thereof;
FIG. 10 is a left side elevational view thereof;
FIG. 11 is a rear elevational view thereof;
FIG. 12 is the right side elevational view thereof;
FIG. 13 is a top plan view thereof; and,
FIG. 14 is a perspective view from the front right side thereof;
The broken lines illustrate portions of the camper trailer that form no part of the claimed design.

1 Claim, 14 Drawing Sheets



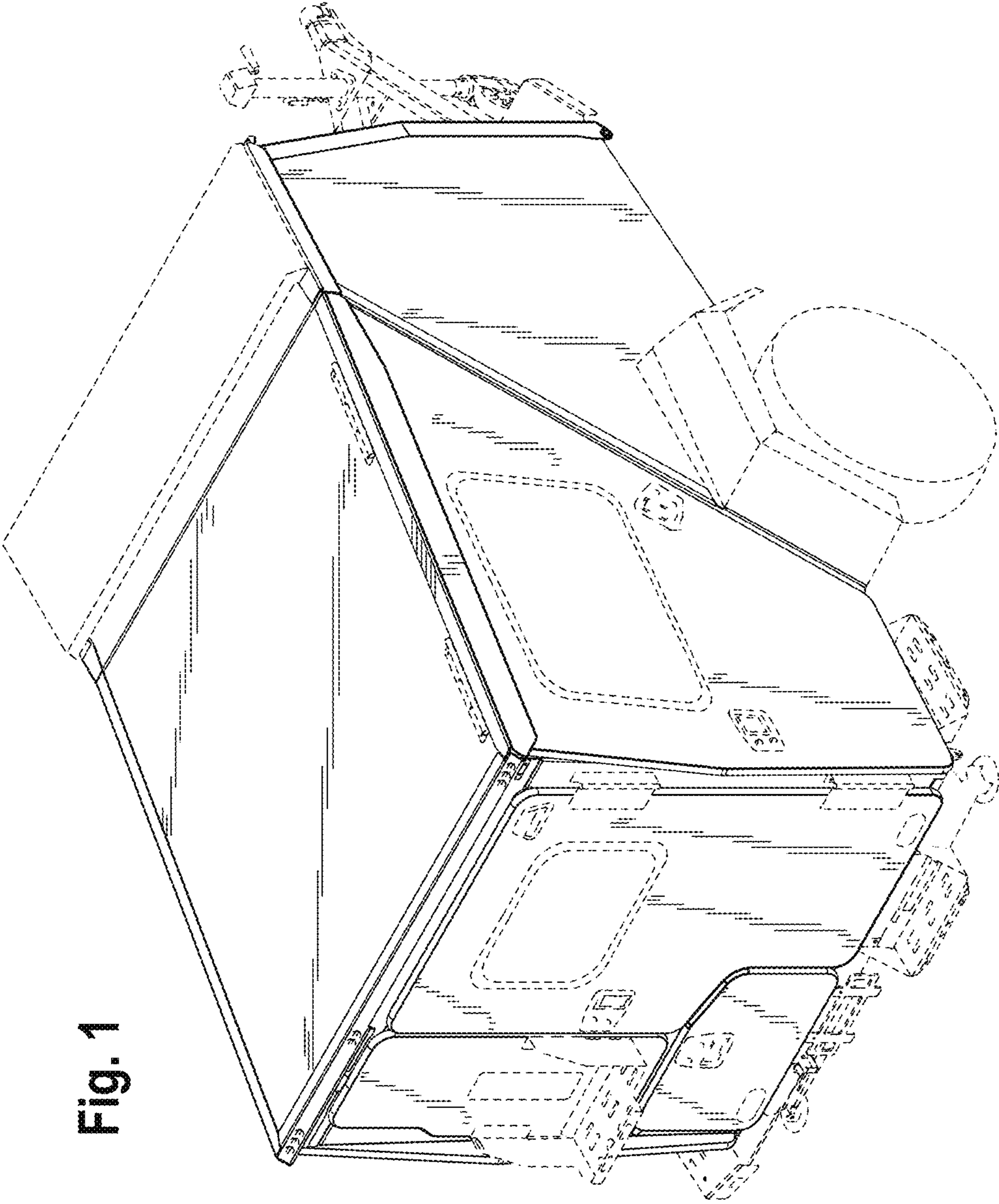


Fig. 1

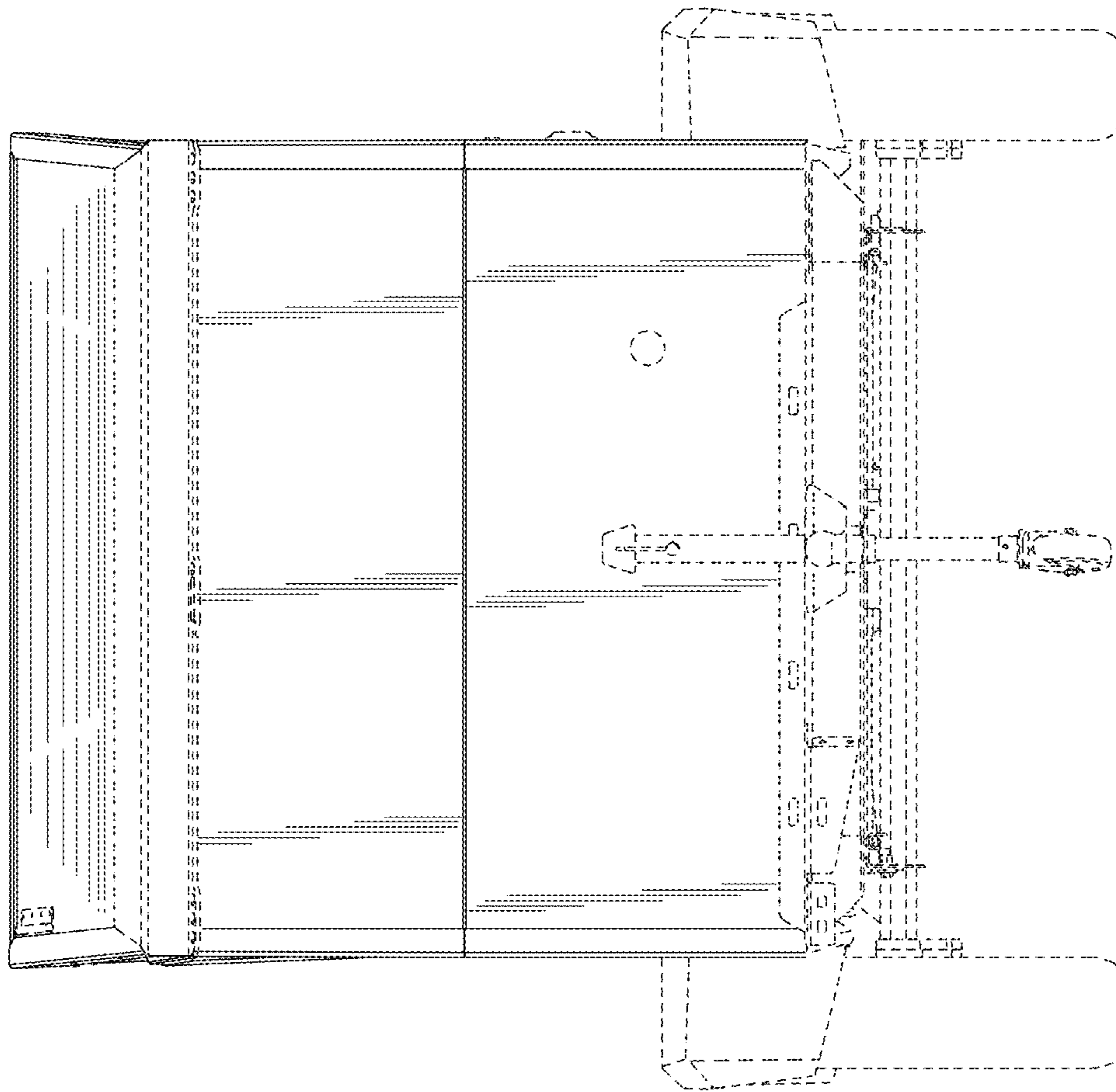
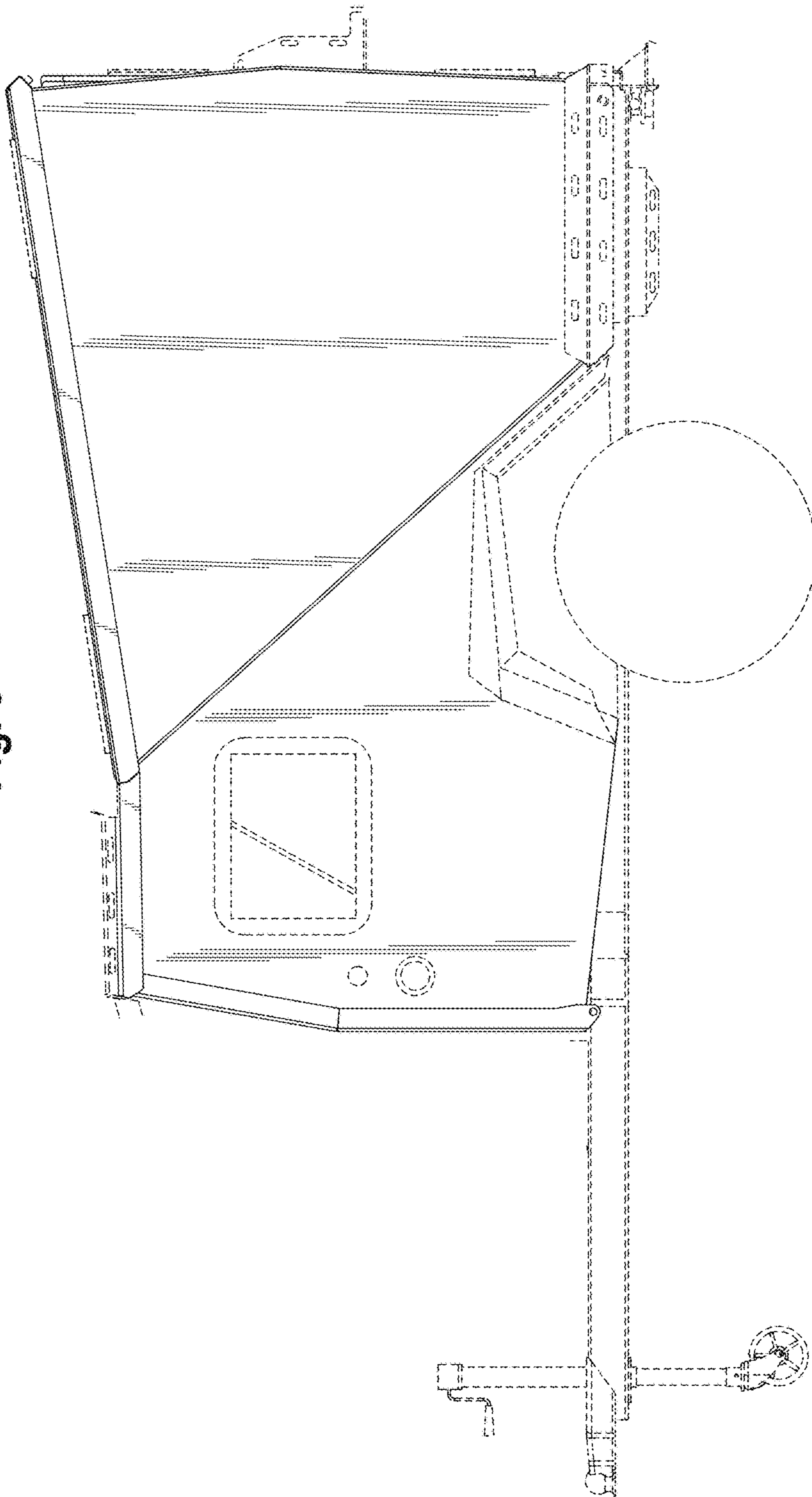


Fig. 2

Fig. 3



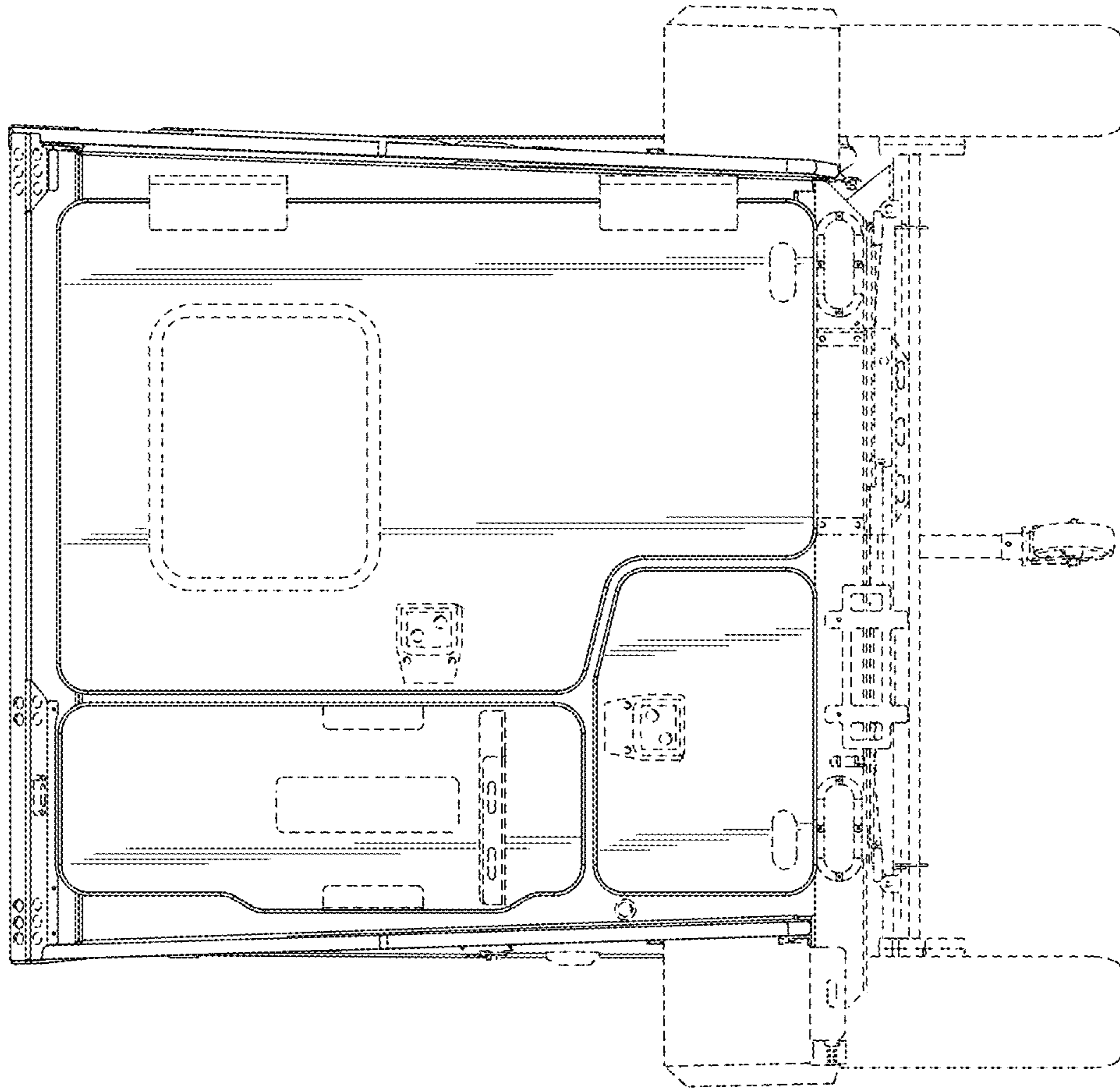


Fig. 4

Fig. 5

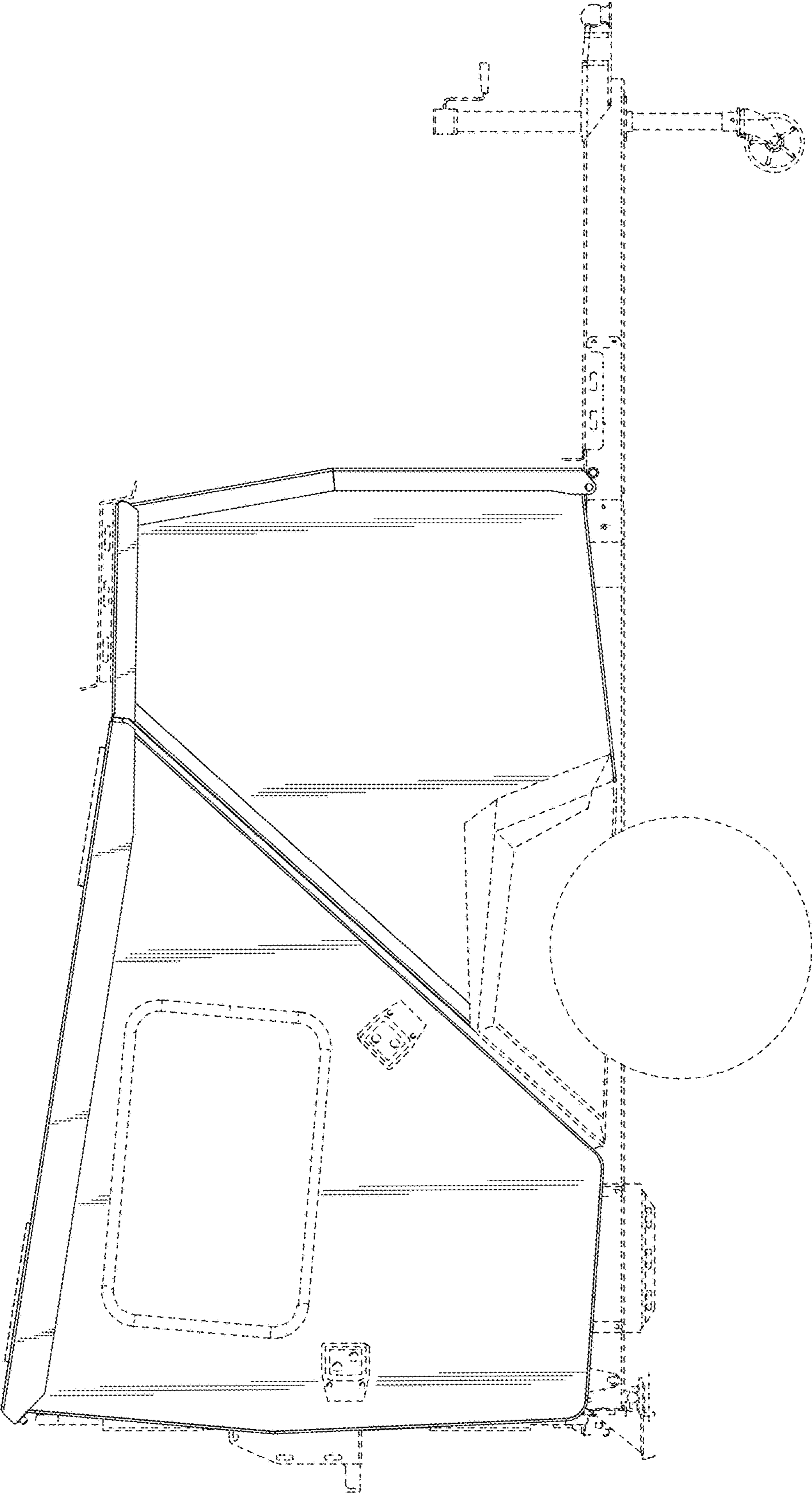
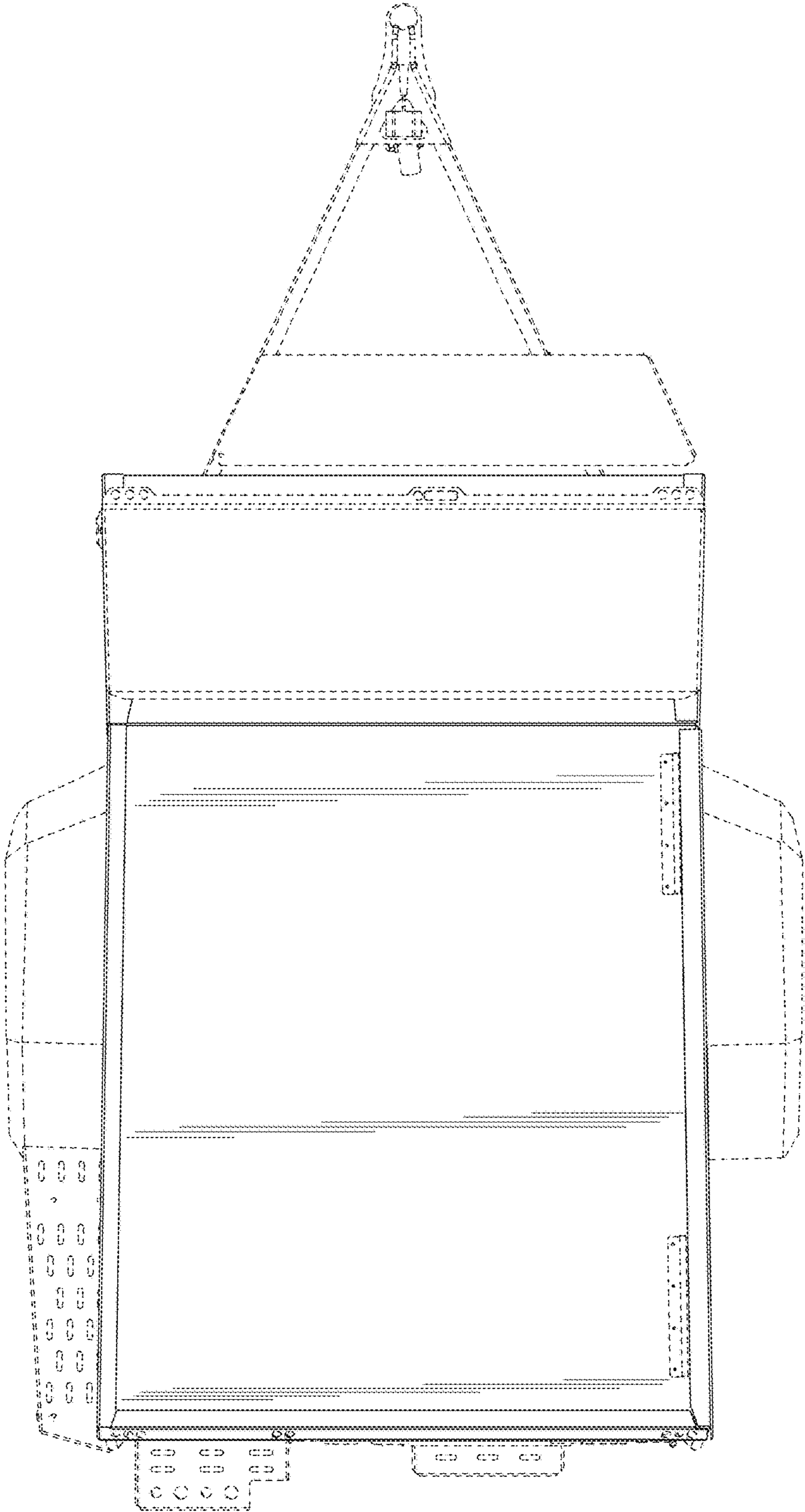


Fig. 6



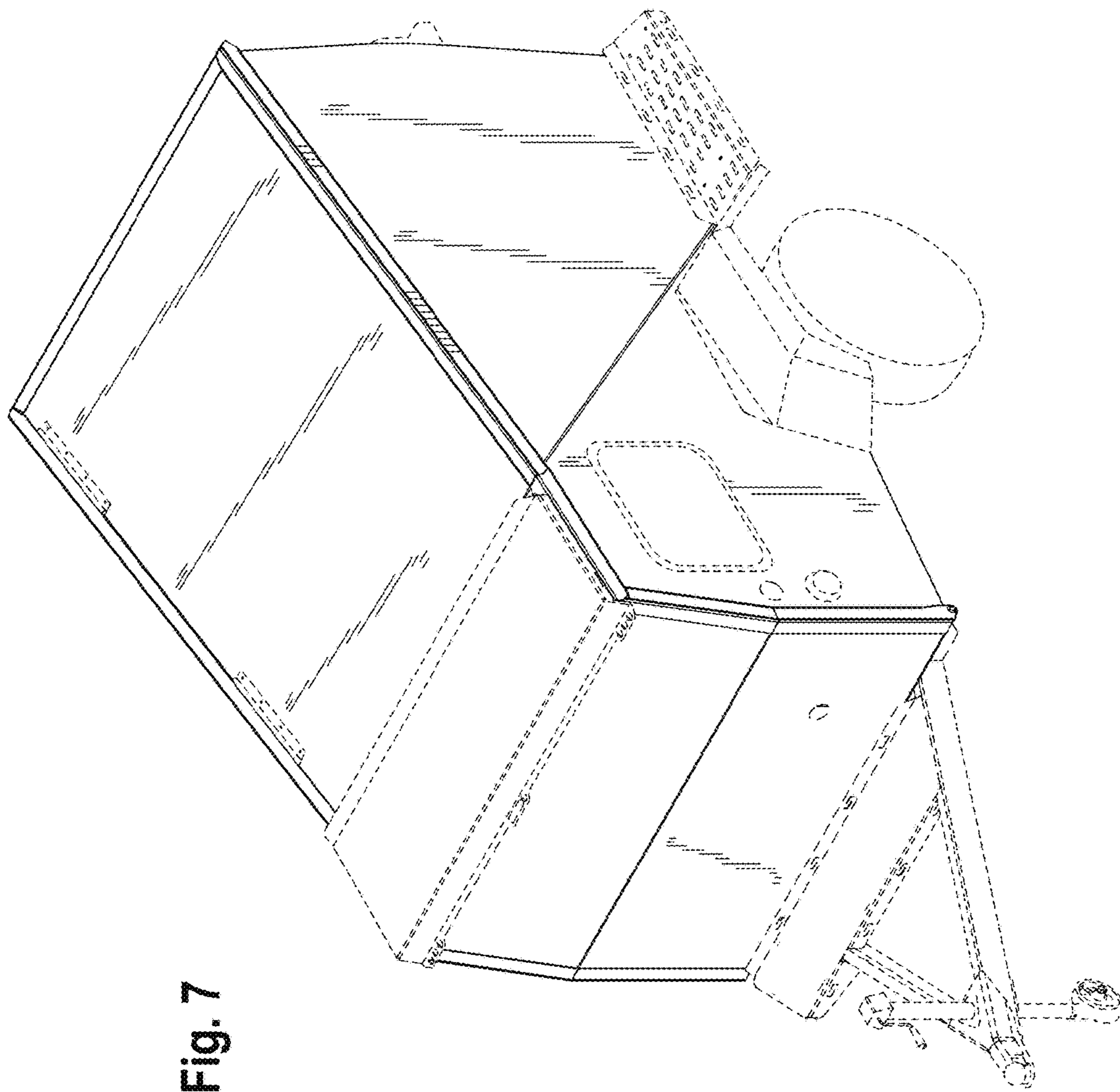


Fig. 7

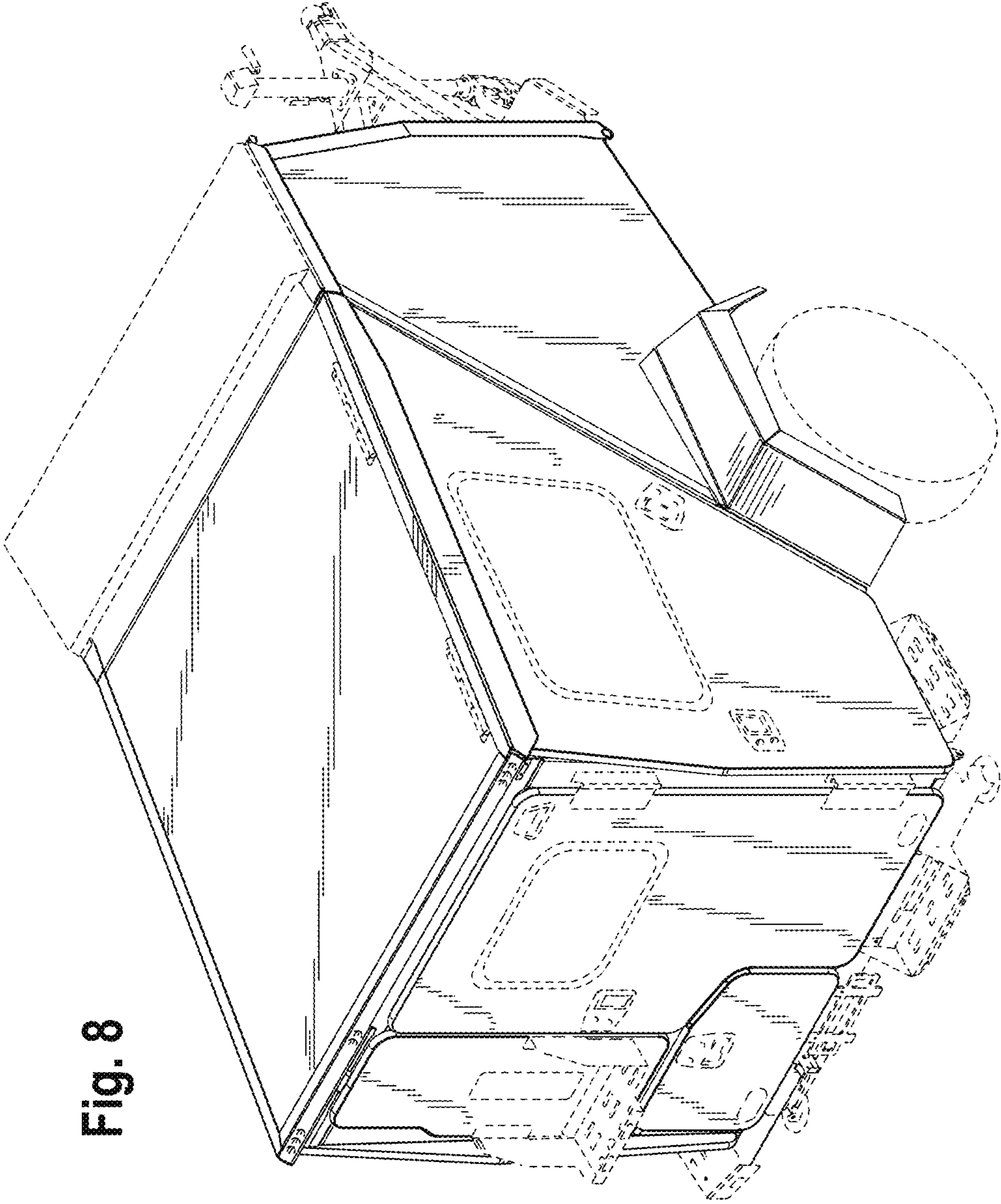


Fig. 8

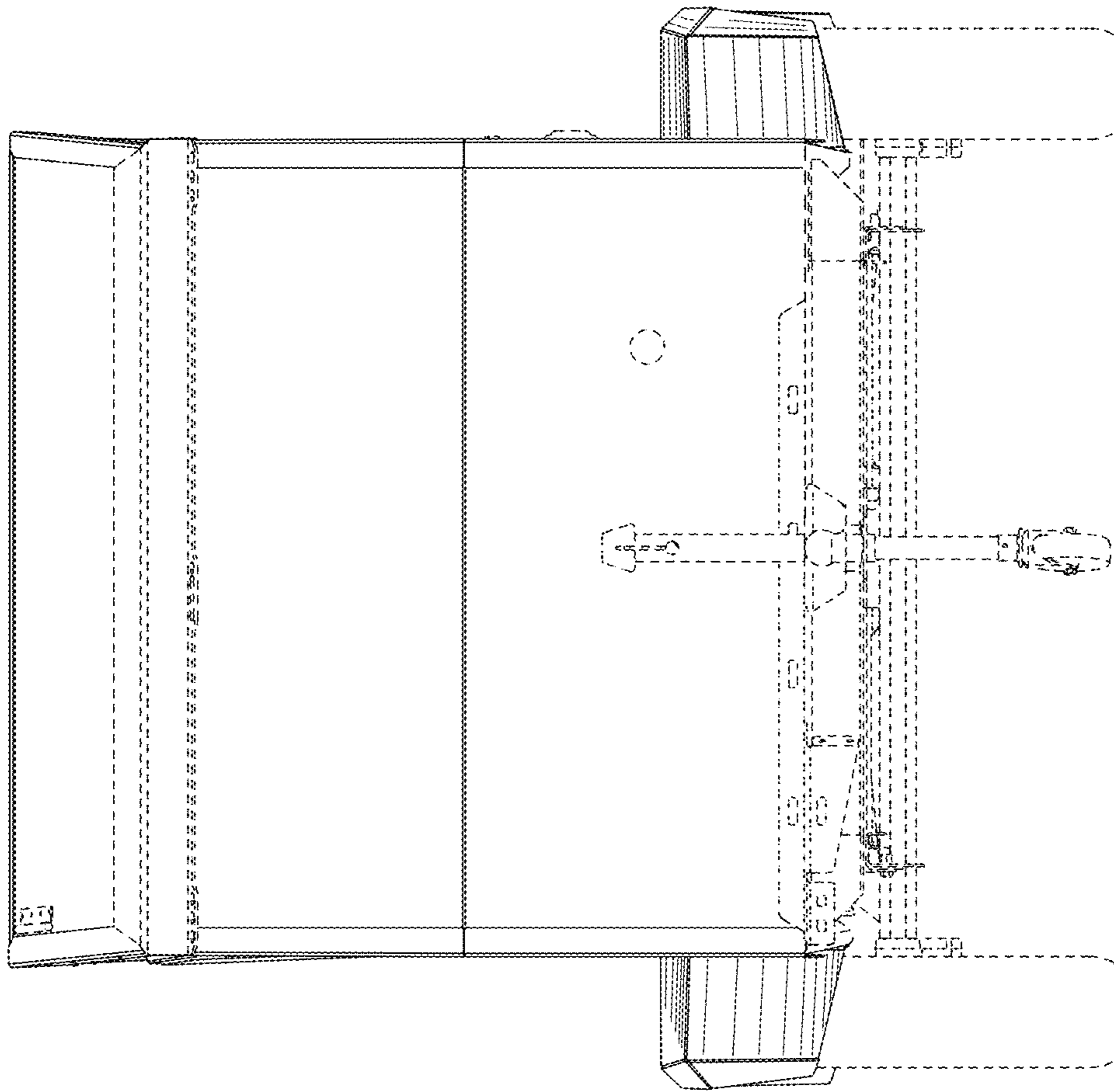
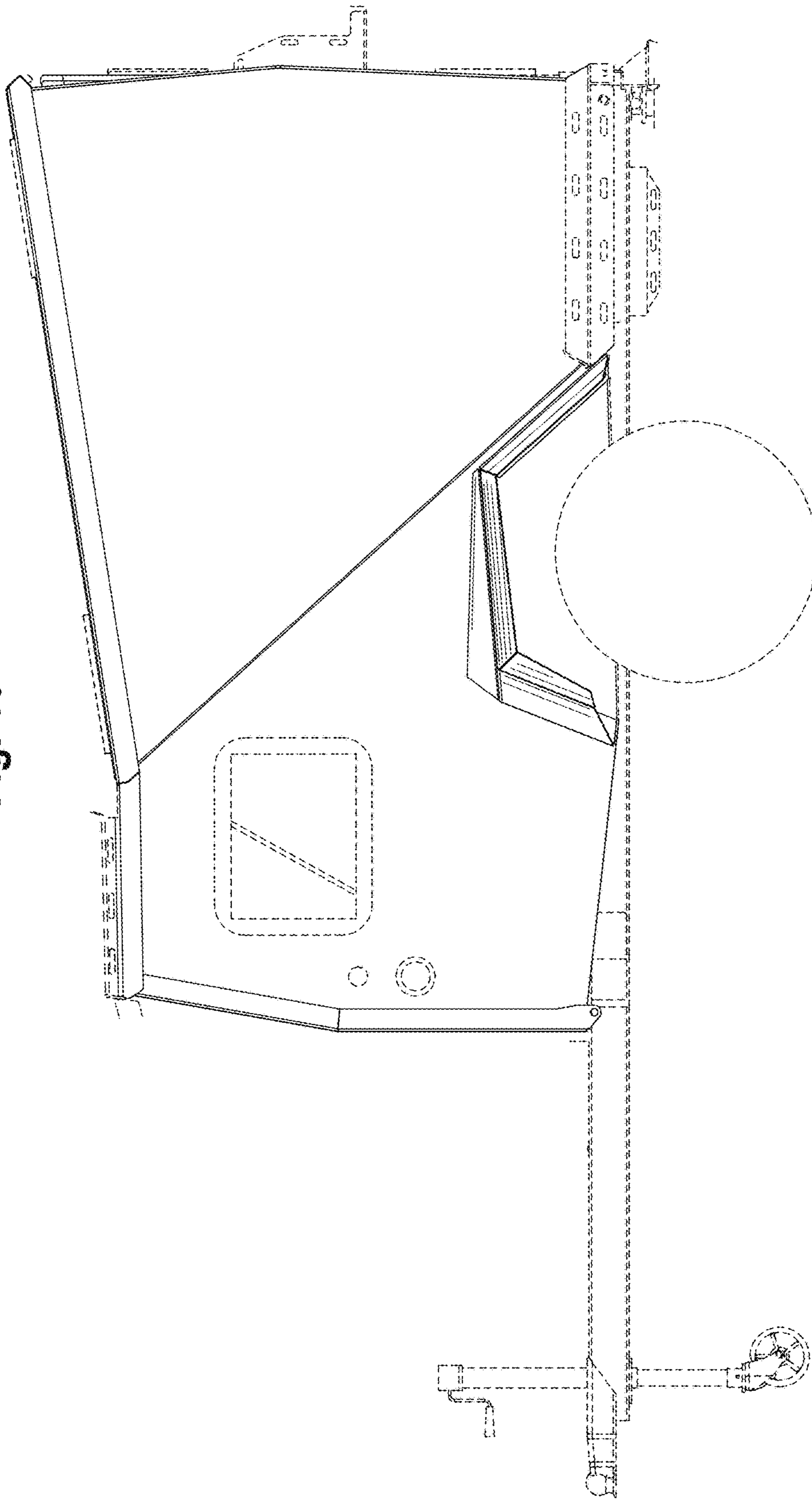


Fig. 9

Fig. 10



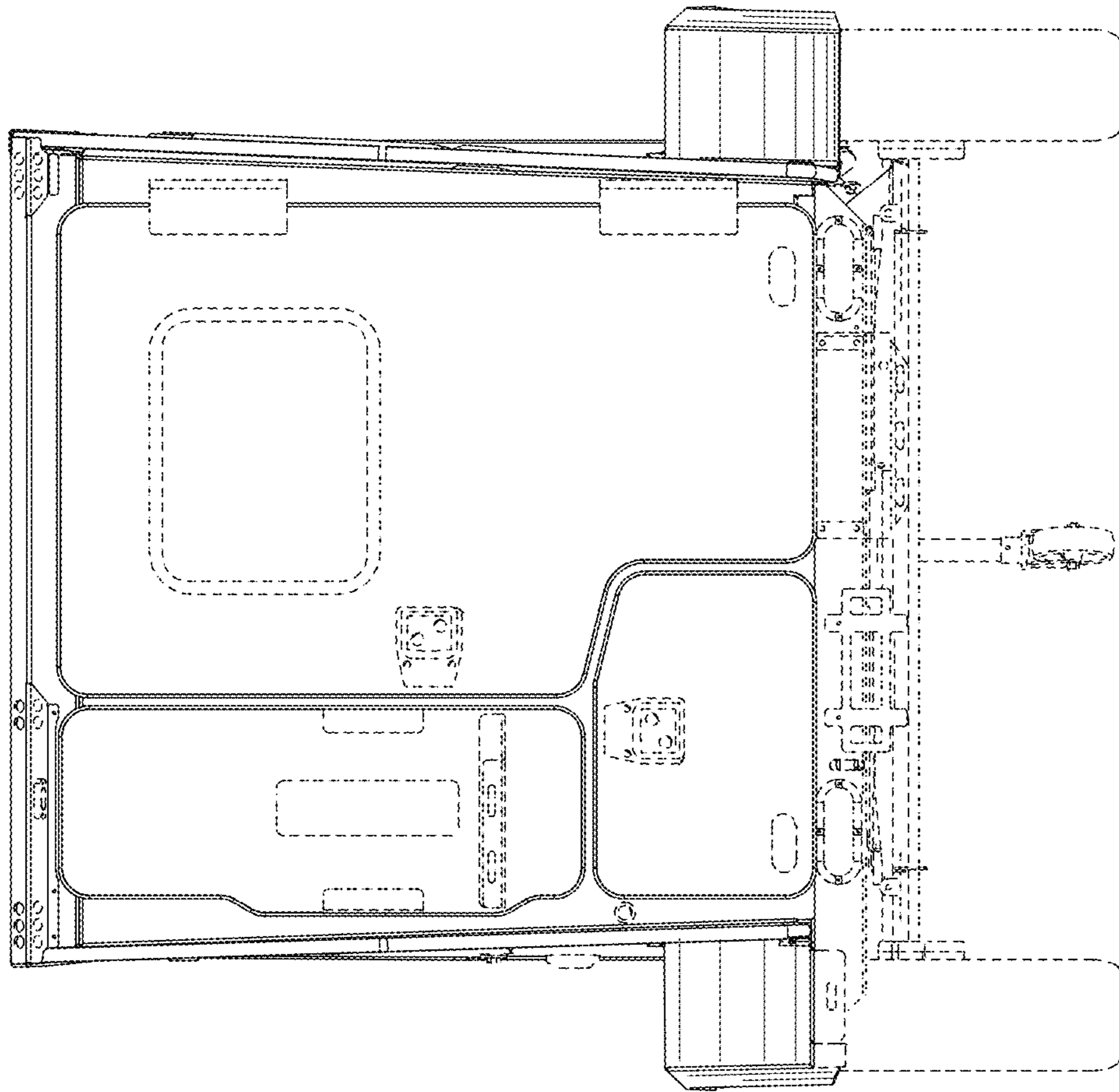


Fig. 11

Fig. 12

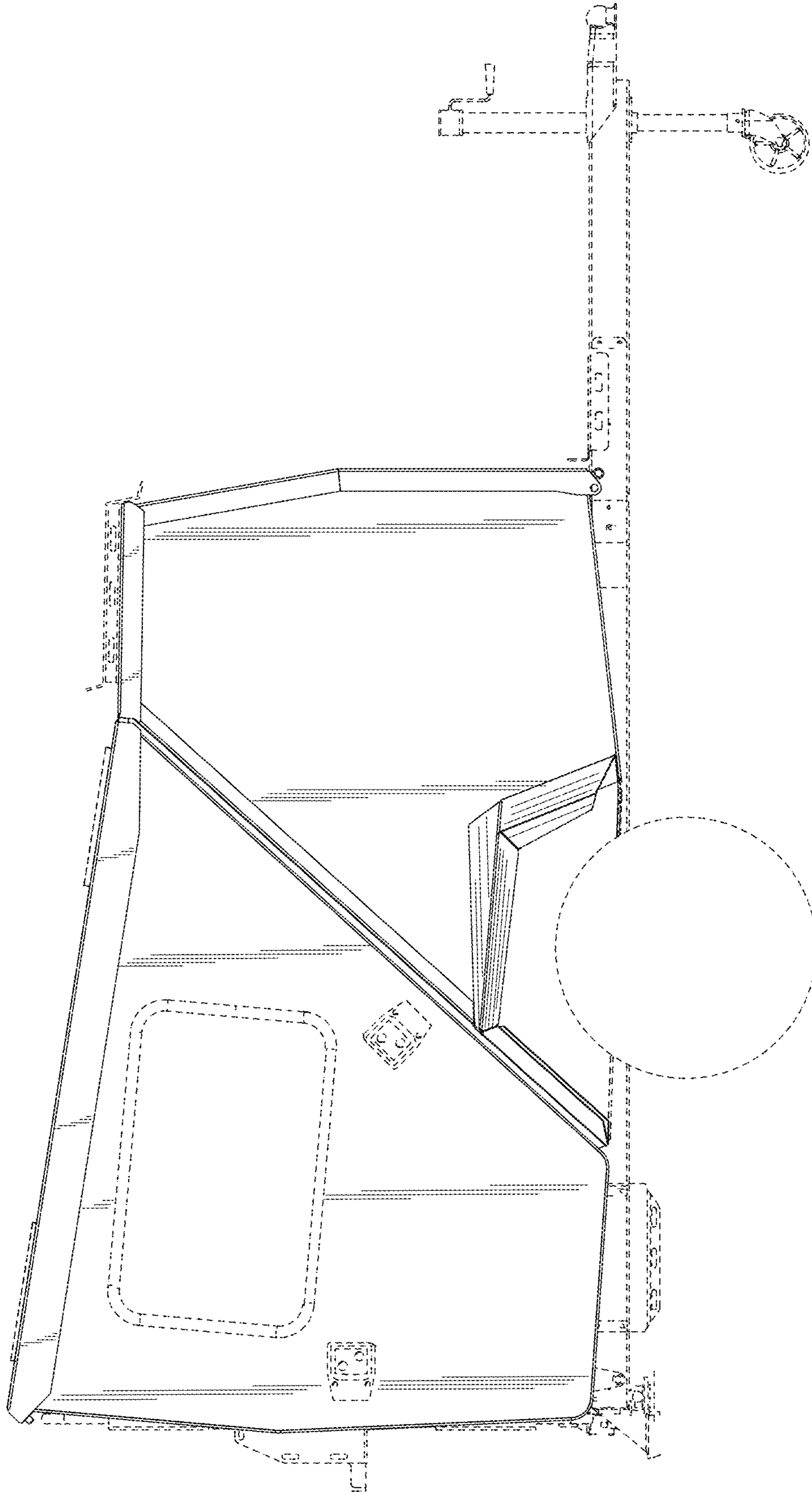
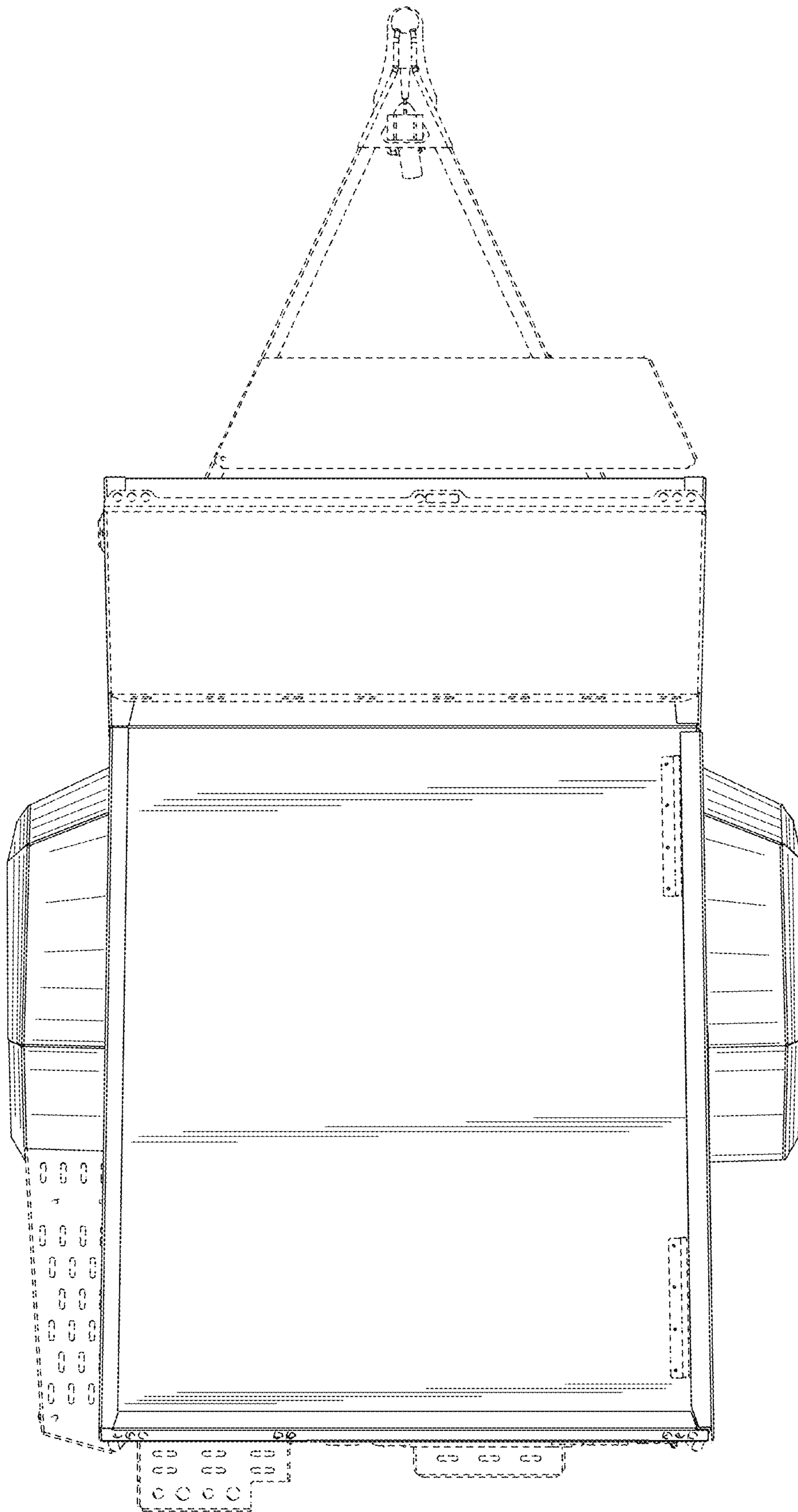


Fig. 13



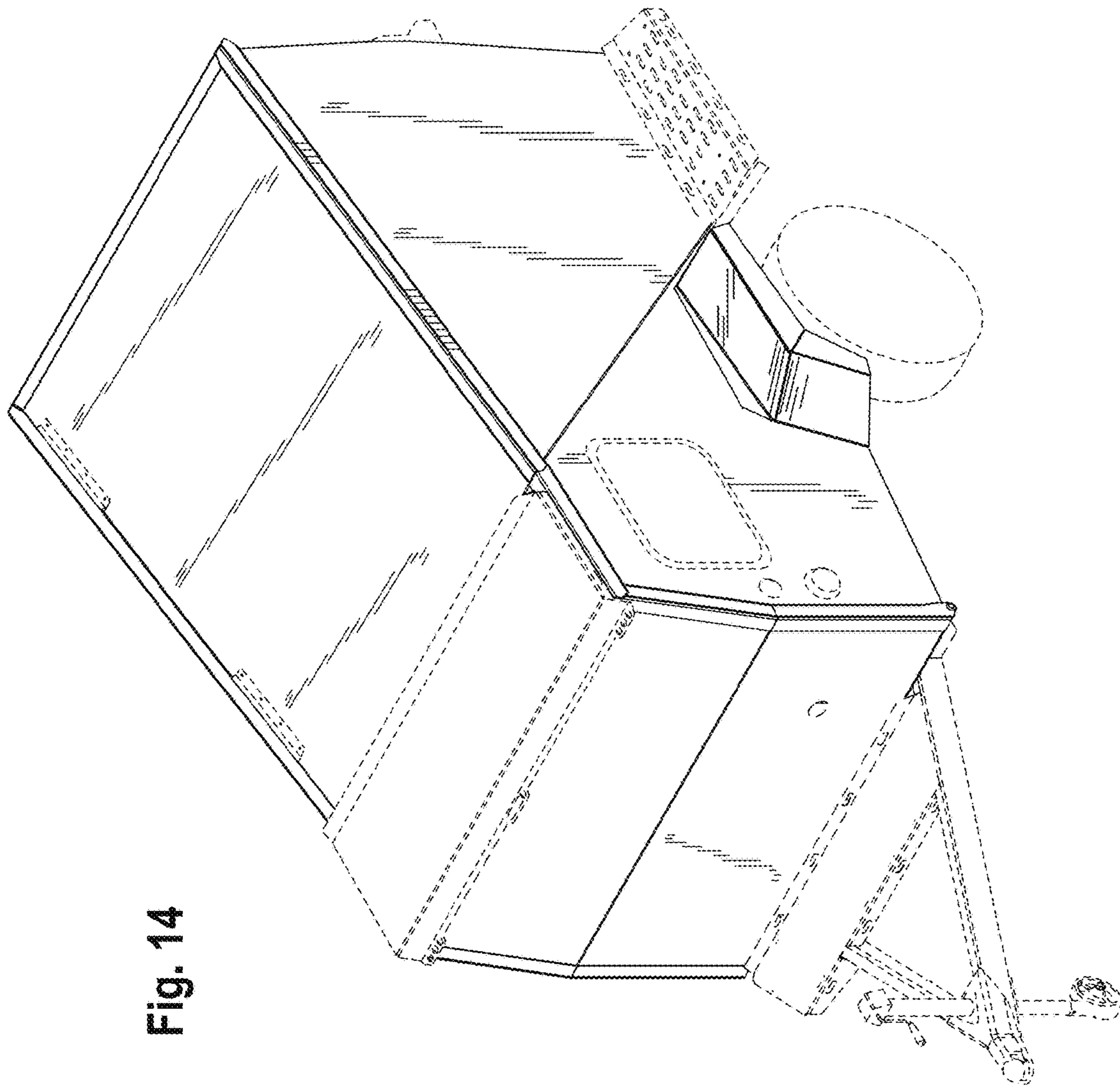


Fig. 14