



US00D823166S

(12) **United States Design Patent** (10) **Patent No.:** **US D823,166 S**
Gueler et al. (45) **Date of Patent:** **** Jul. 17, 2018**

(54) **VEHICLE EXTERIOR**

(56) **References Cited**

(71) Applicant: **Ford Global Technologies, LLC**,
Dearborn, MI (US)
(72) Inventors: **Murat Gueler**, Cologne (DE); **Thomas Morel**, Dusseldorf (DE); **Jonathan Szczupak**, Troy, MI (US); **George Saridakis**, Edinburgh (GB); **Joel Piaskowski**, Dusseldorf (DE)

U.S. PATENT DOCUMENTS

D686,532 S * 7/2013 Lamm D12/91
D731,923 S * 6/2015 Tanaka D12/91
D736,119 S * 8/2015 Kaoud D12/91
D741,224 S * 10/2015 Rupal D12/91
D741,752 S * 10/2015 Messale D12/91
D776,007 S * 1/2017 An D12/91
D788,643 S * 6/2017 Bucher D12/91

(73) Assignee: **Ford Global Technologies, LLC**,
Dearborn, MI (US)

FOREIGN PATENT DOCUMENTS

DE 402012100598.7 8/2012

(**) Term: **15 Years**

* cited by examiner

(21) Appl. No.: **29/604,342**

Primary Examiner — Melody N Brown

(22) Filed: **May 17, 2017**

(74) *Attorney, Agent, or Firm* — James Dottavio

(30) **Foreign Application Priority Data**

(57) **CLAIM**

The ornamental design for a vehicle exterior, as shown and described.

Nov. 22, 2016 (DE) 40 2016 101 399

(51) **LOC (11) Cl.** **12-08**

(52) **U.S. Cl.**
USPC **D12/91**

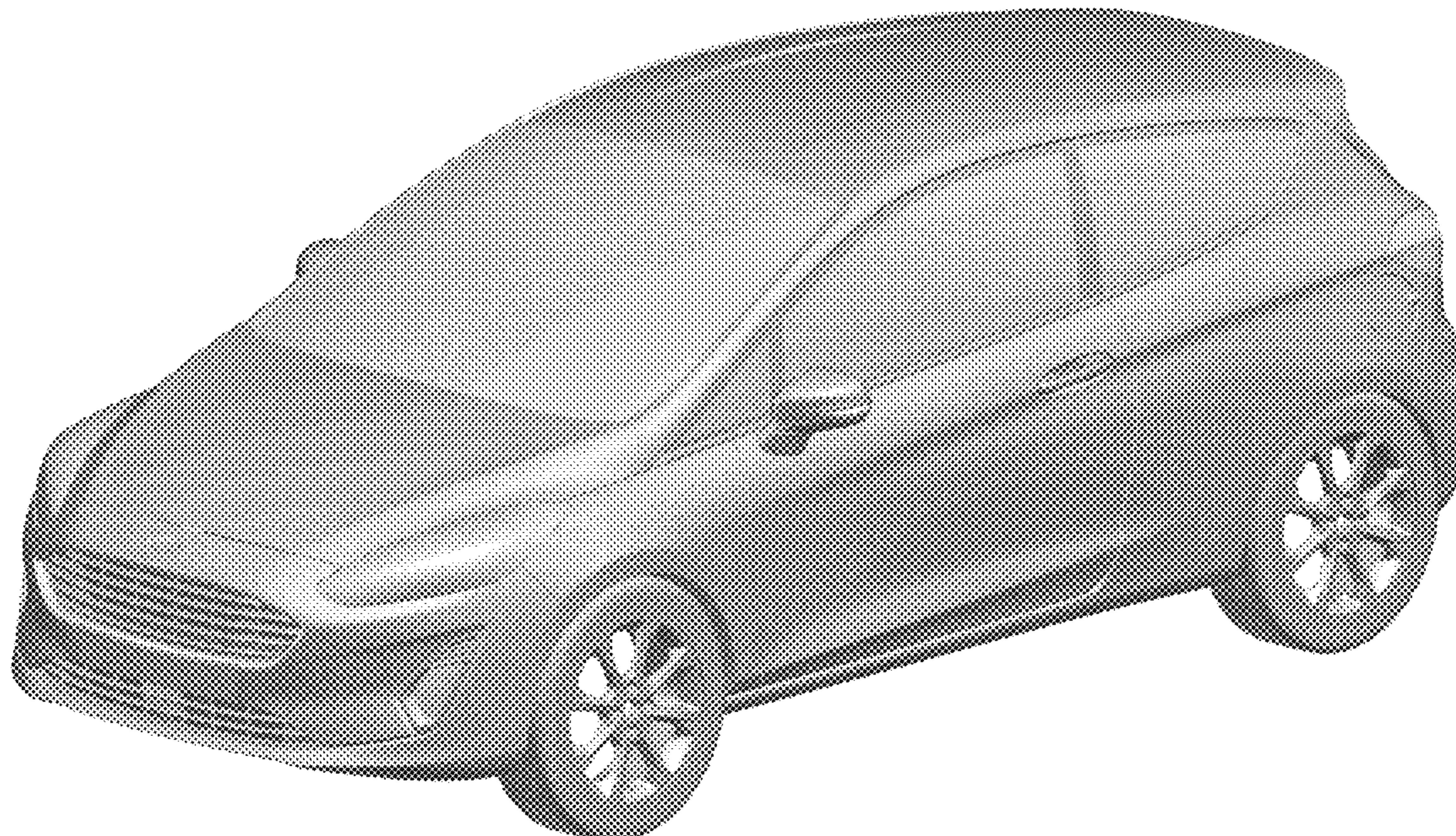
(58) **Field of Classification Search**
USPC D12/86, 90-92, 88; D21/421, 433, 434;
296/181.1, 181.5
CPC B62D 35/00; B62D 25/00; B62D 25/06;
B62D 33/00

See application file for complete search history.

DESCRIPTION

FIG. 1 is a top, front and left side perspective view of a vehicle exterior showing our new design; FIG. 2 is a top, rear and left side perspective view thereof; FIG. 3 is a front elevational view thereof; FIG. 4 is a rear elevational view thereof; FIG. 5 is a left side elevational view thereof; FIG. 6 is a right side elevational view thereof; and, FIG. 7 is a top plan view thereof.

1 Claim, 7 Drawing Sheets



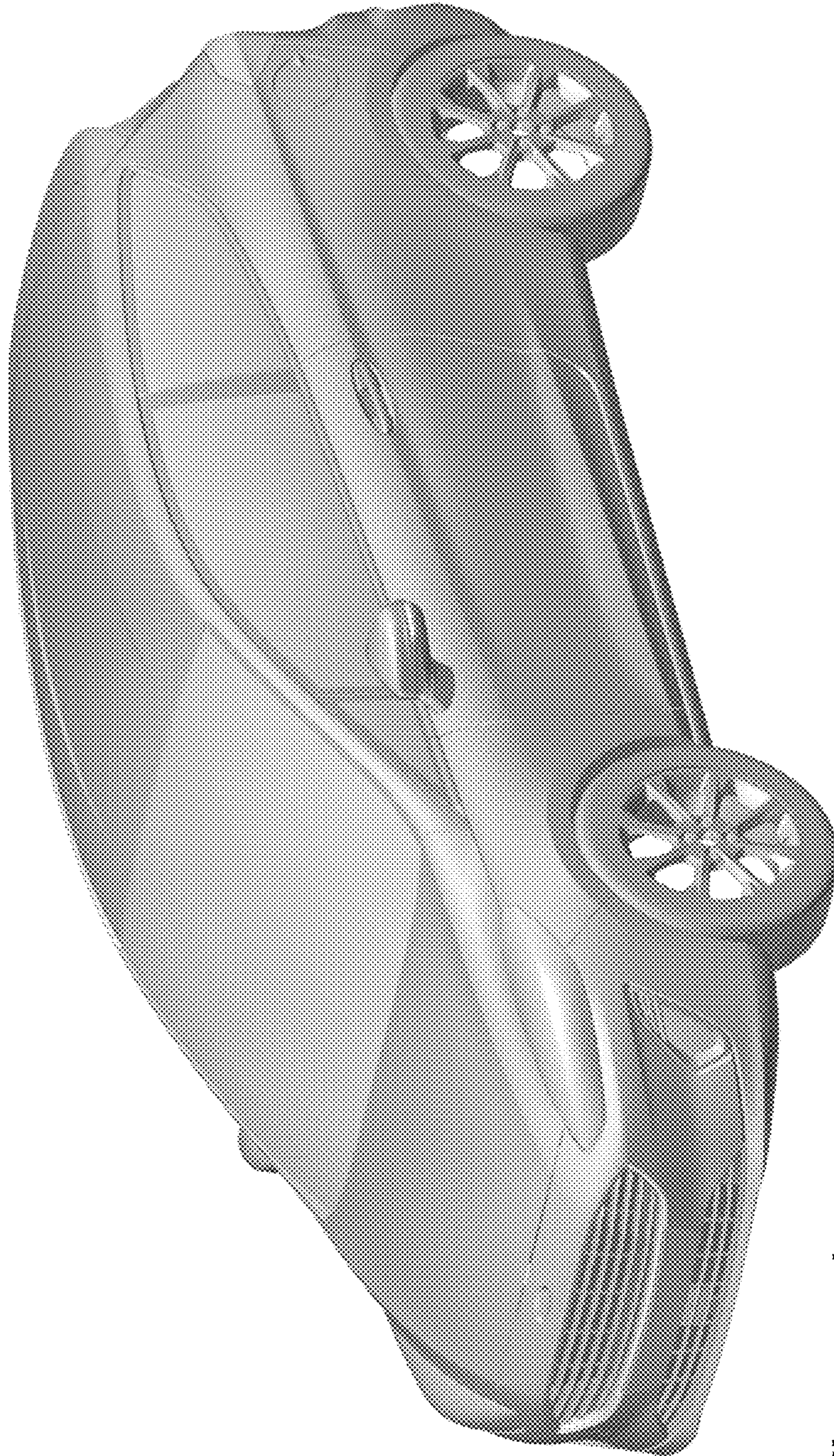


Figure 1

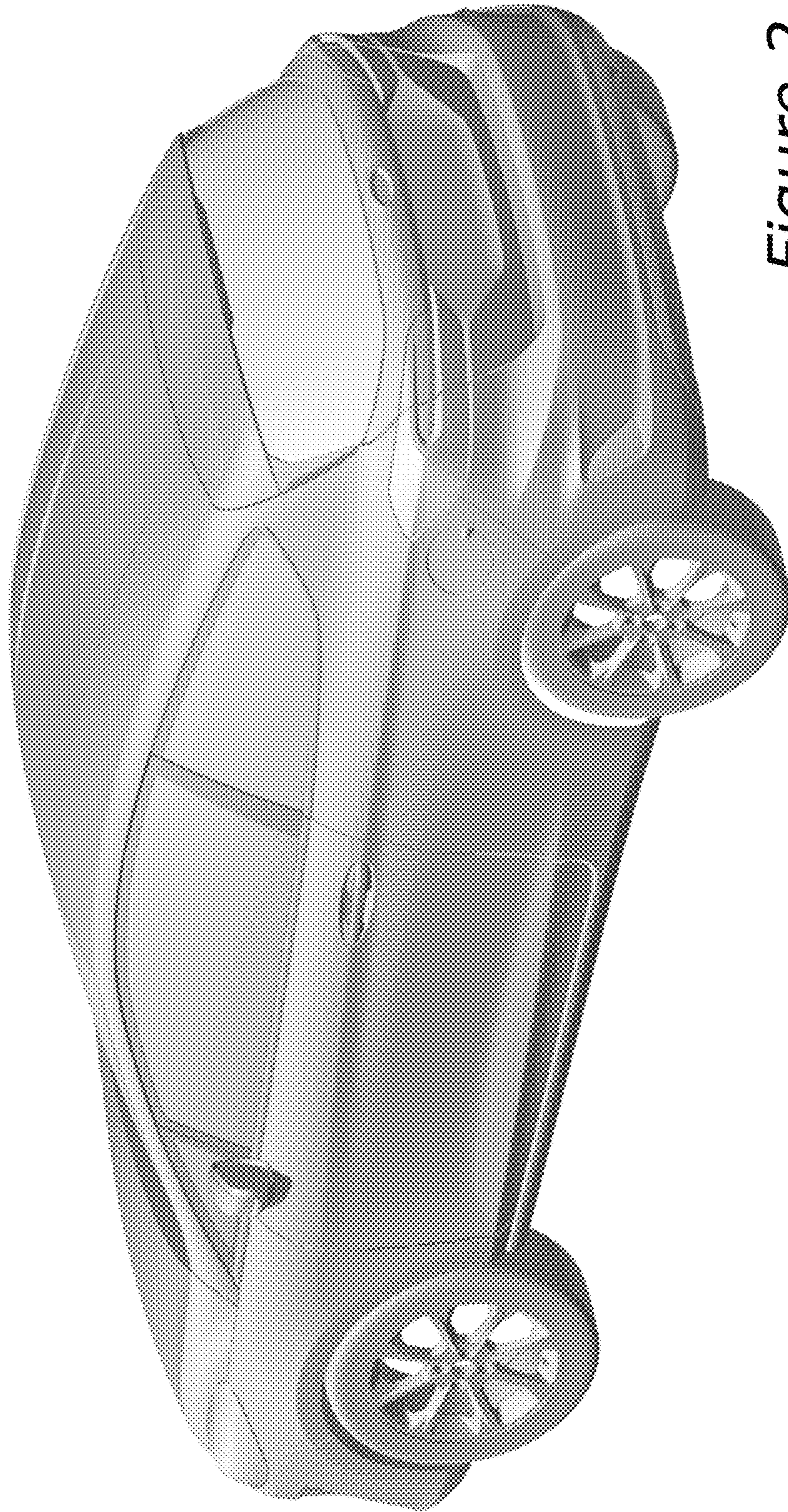


Figure 2

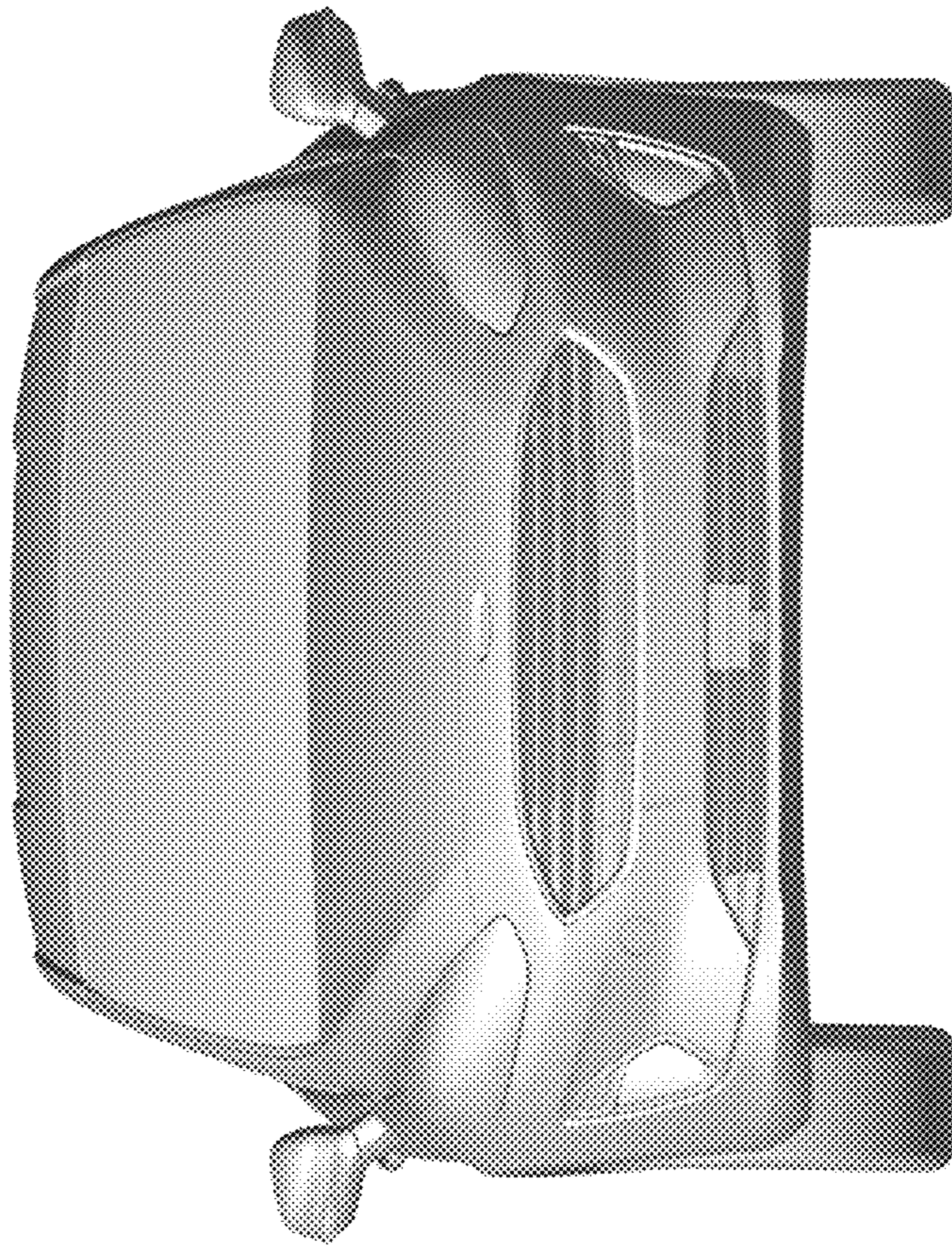


Figure 3

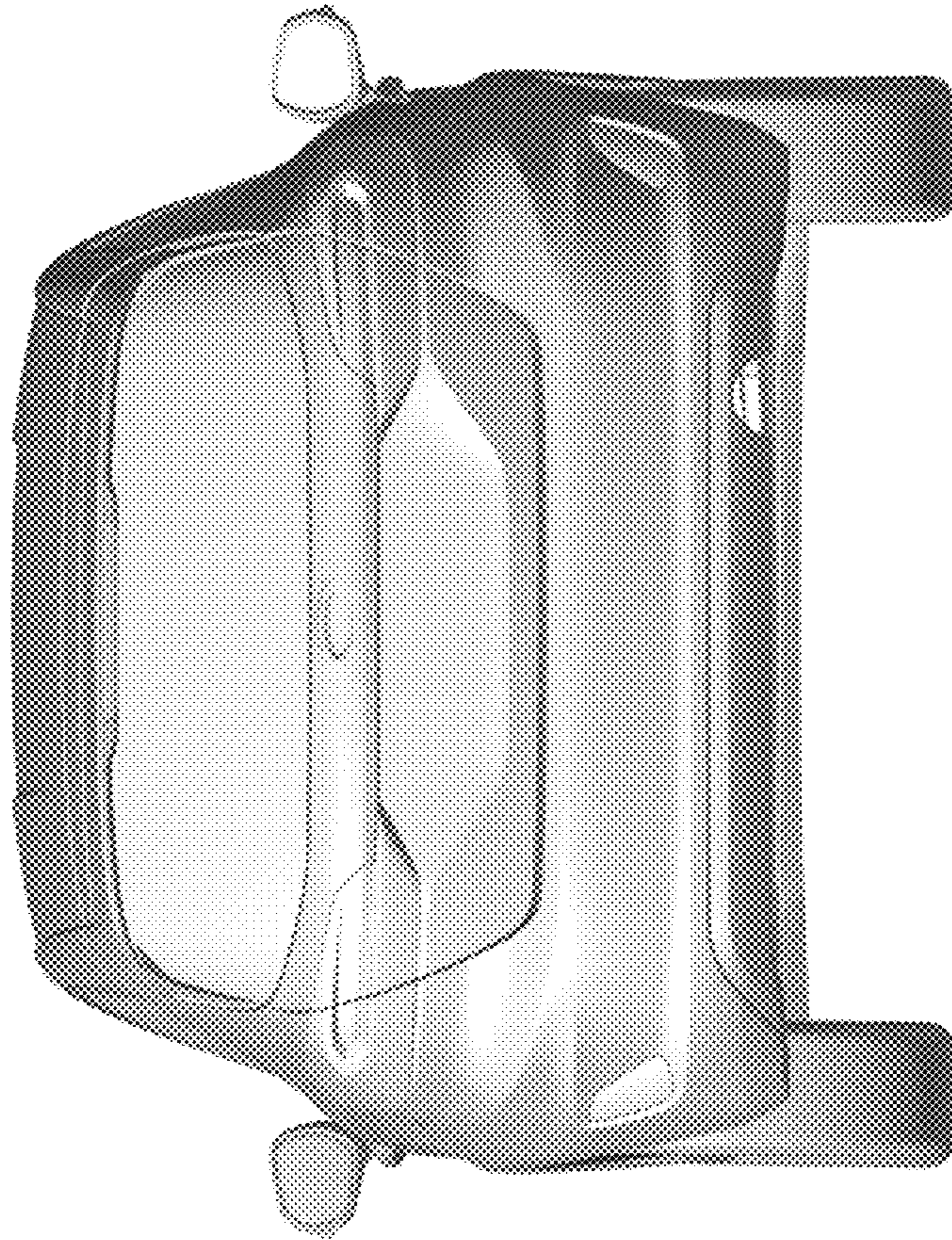


Figure 4



Figure 5



Figure 6



Figure 7