



US00D823165S

(12) **United States Design Patent**
Chung et al.

(10) **Patent No.:** **US D823,165 S**
(45) **Date of Patent:** **** Jul. 17, 2018**

(54) **VEHICLE OR REPLICA THEREOF**

(71) Applicant: **HONDA MOTOR CO., LTD.**,
Minato-ku, Tokyo (JP)

(72) Inventors: **Jae Chung**, Irvine, CA (US); **Jarad Hall**, Rancho Palos Verdes, CA (US);
Matthew Stevens, Lake Forest, CA (US)

(73) Assignee: **HONDA MOTOR CO., LTD.**, Tokyo (JP)

(**) Term: **15 Years**

(21) Appl. No.: **29/577,640**

(22) Filed: **Sep. 14, 2016**

(51) **LOC (11) Cl.** **12-08**

(52) **U.S. Cl.**
USPC **D12/91**

(58) **Field of Classification Search**
USPC D12/90-92, 164, 169, 196;
296/181.1-181.5; D21/548, 560
CPC B60Y 2306/01; B60K 11/085
See application file for complete search history.

(56) **References Cited**

U.S. PATENT DOCUMENTS

D628,941 S	*	12/2010	Yi	D12/92
D679,221 S	*	4/2013	Tomatsu	D12/92
D682,740 S	*	5/2013	Tomatsu	D12/92
D702,597 S	*	4/2014	Wada	D12/92
D718,666 S	*	12/2014	Hammoud	D12/92
D719,878 S	*	12/2014	Webber	D12/92
D748,535 S	*	2/2016	Hatton	D12/92
D756,849 S	*	5/2016	Garcia Lopez	D12/92

D758,921 S	*	6/2016	Hatton	D12/92
D762,527 S	*	8/2016	Willing	D12/92
D767,448 S	*	9/2016	Leu	D12/92
D773,960 S	*	12/2016	Jeon	D12/92
D781,185 S	*	3/2017	Ham	D12/92

* cited by examiner

Primary Examiner — Robert M. Spear

Assistant Examiner — Melvin L Davis

(74) *Attorney, Agent, or Firm* — Arent Fox LLP

(57) **CLAIM**

The ornamental design for a vehicle or replica thereof, as shown and described.

DESCRIPTION

FIG. 1 is a rear left perspective view of a vehicle or replica thereof showing our new design;
FIG. 2 is a rear right perspective view of the design shown in FIG. 1;
FIG. 3 is a front right perspective view of the design shown in FIG. 1;
FIG. 4 is a front left perspective view of the design shown in FIG. 1;
FIG. 5 is a rear view of the design shown in FIG. 1;
FIG. 6 is a front view of the design shown in FIG. 1;
FIG. 7 is a right side view of the design shown in FIG. 1;
FIG. 8 is a left side view of the design shown in FIG. 1; and,
FIG. 9 is a top view of the design shown in FIG. 1.
The bottom of the vehicle or replica thereof forms no part of the claimed design. Additionally, the broken lines are for the purpose of illustrating portions of the vehicle or replica thereof and form no part of the claimed design.

1 Claim, 9 Drawing Sheets

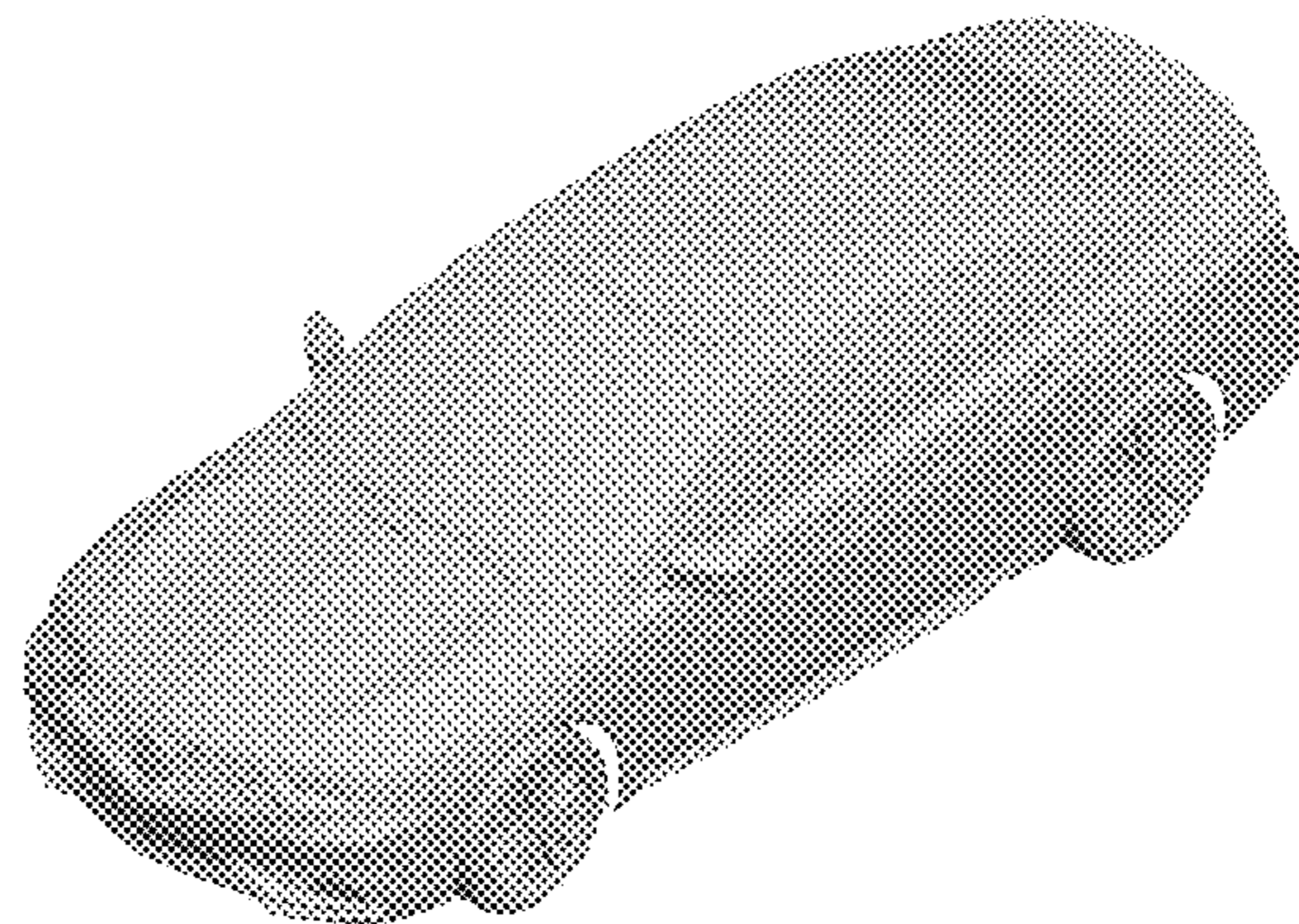
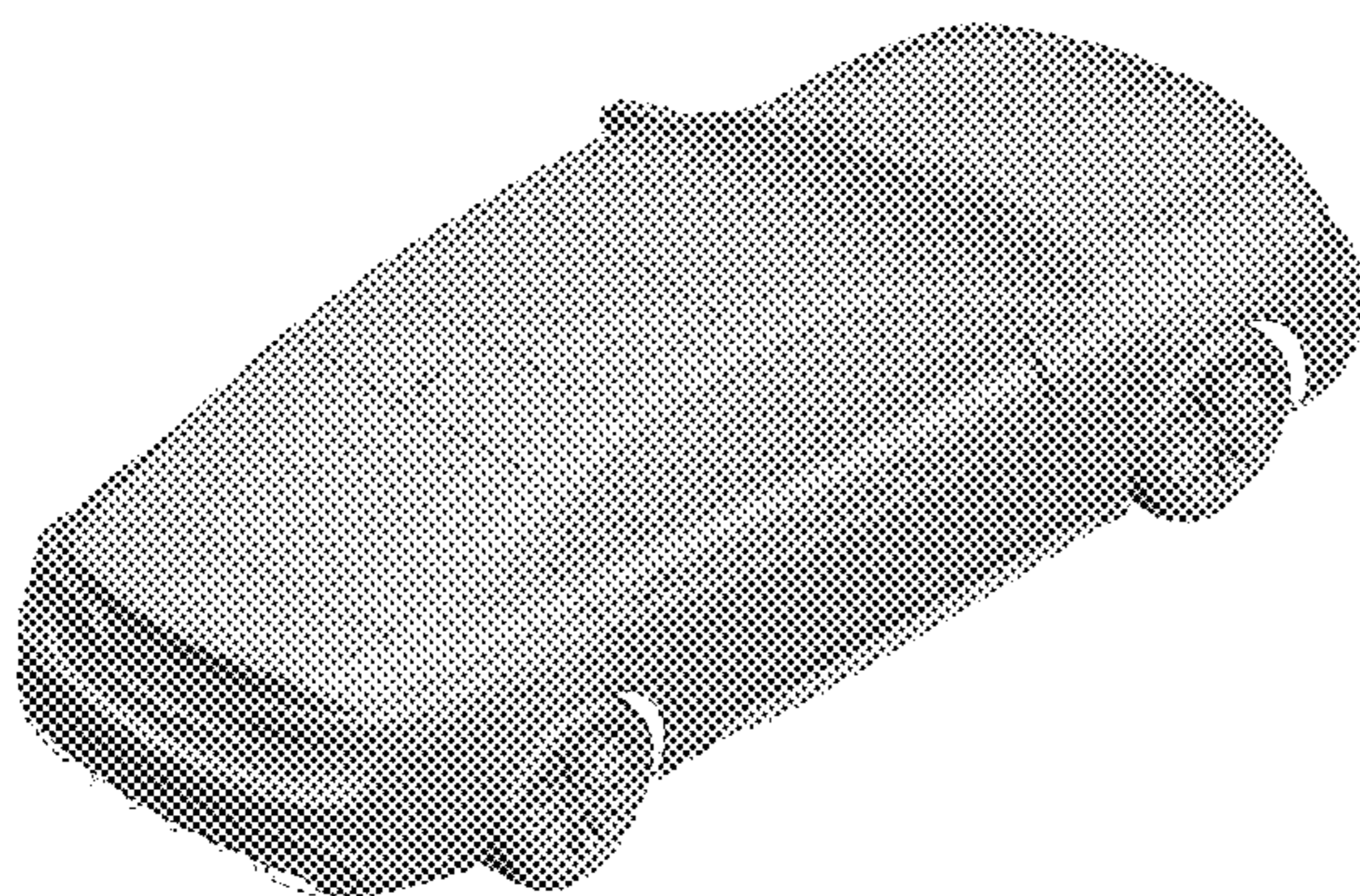




FIG. 1



FIG. 2

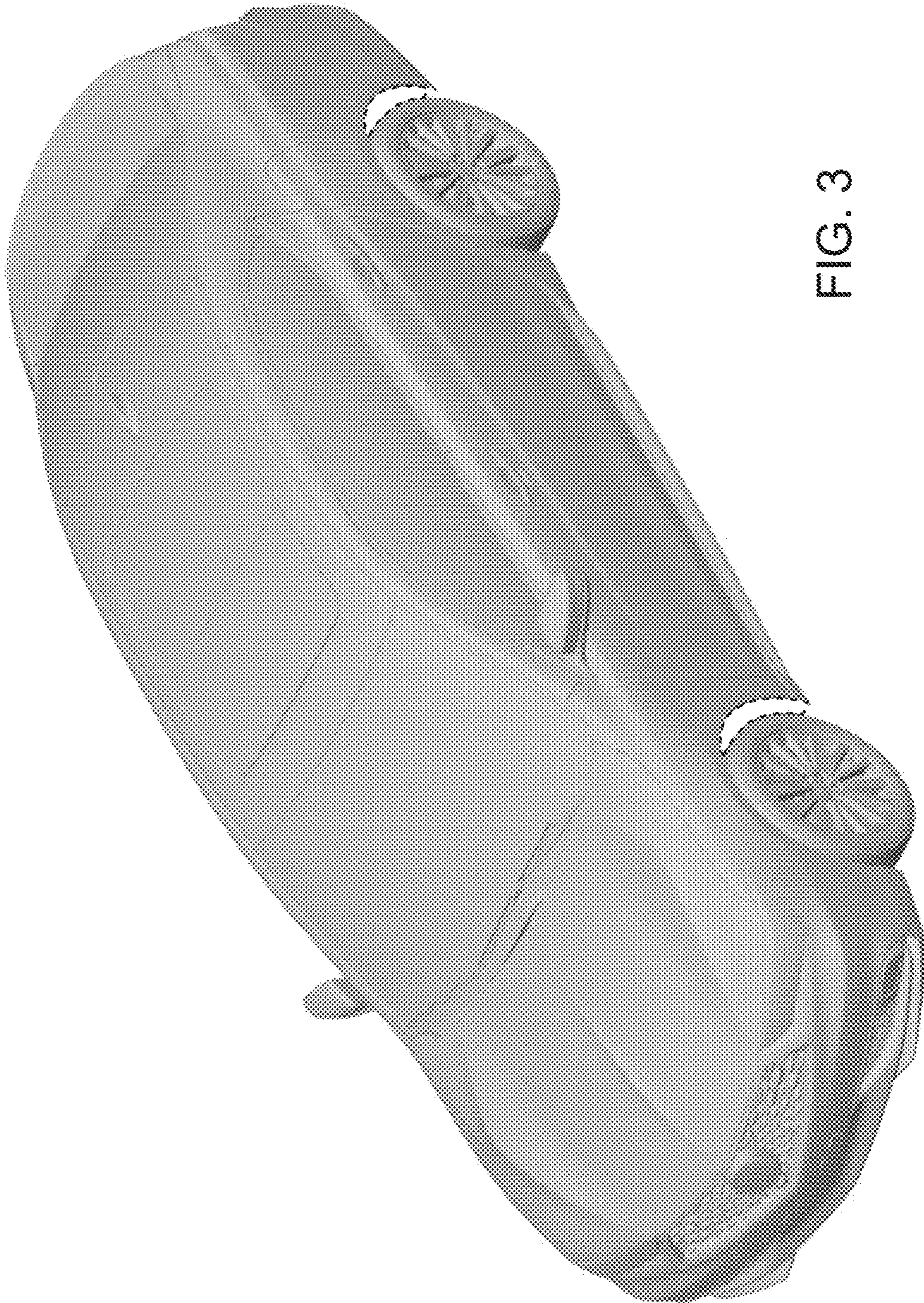


FIG. 3

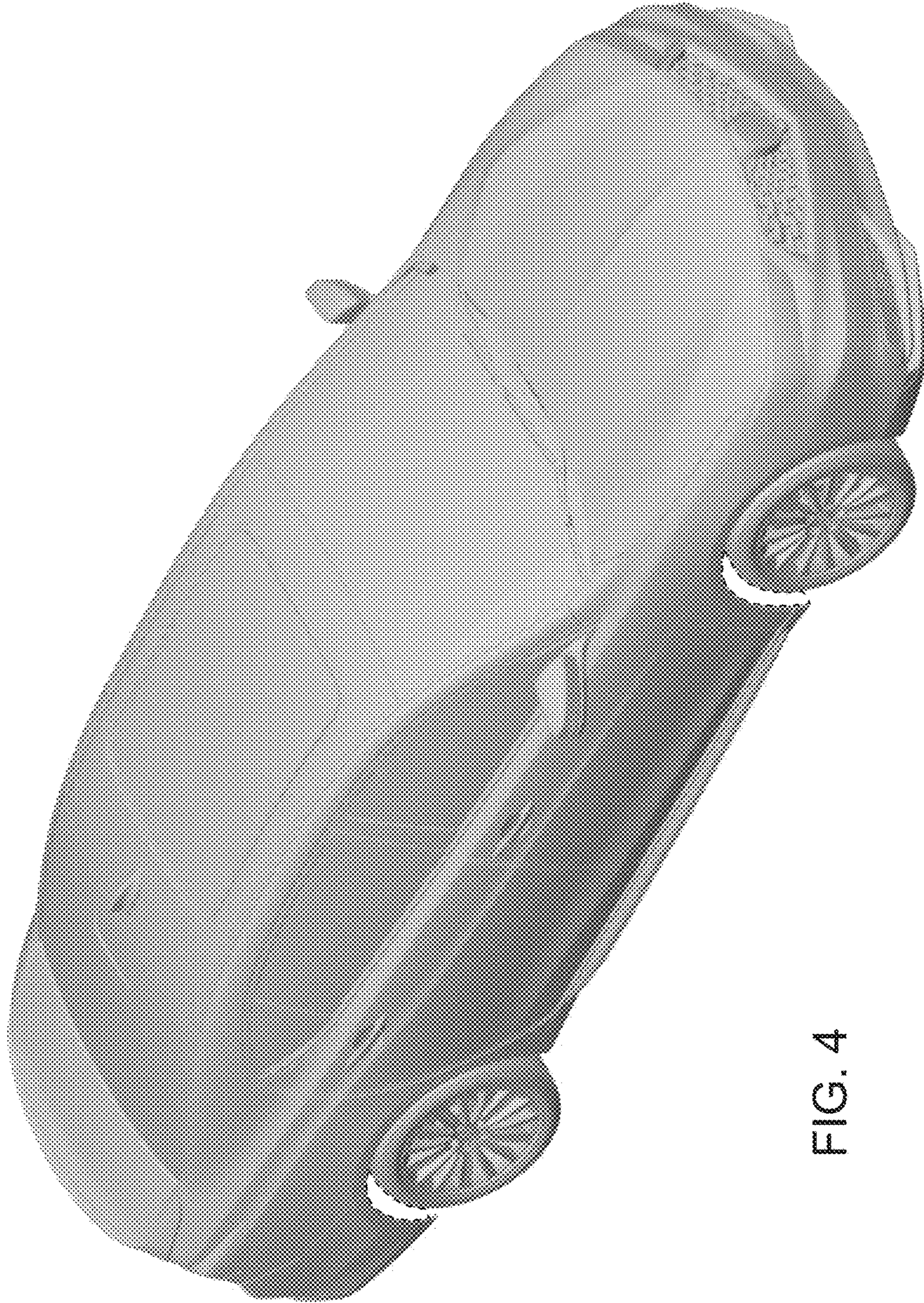


FIG. 4

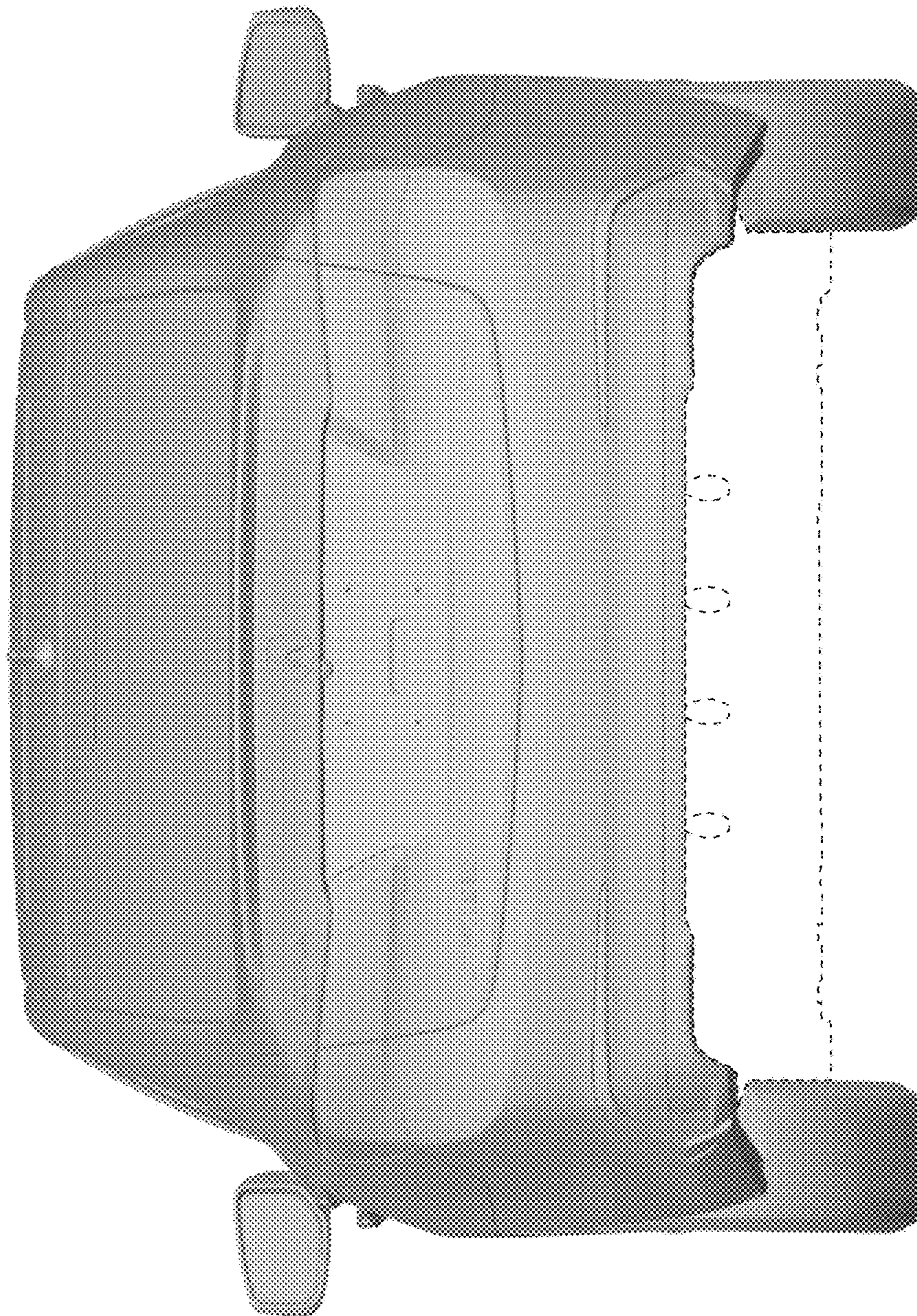


FIG. 5

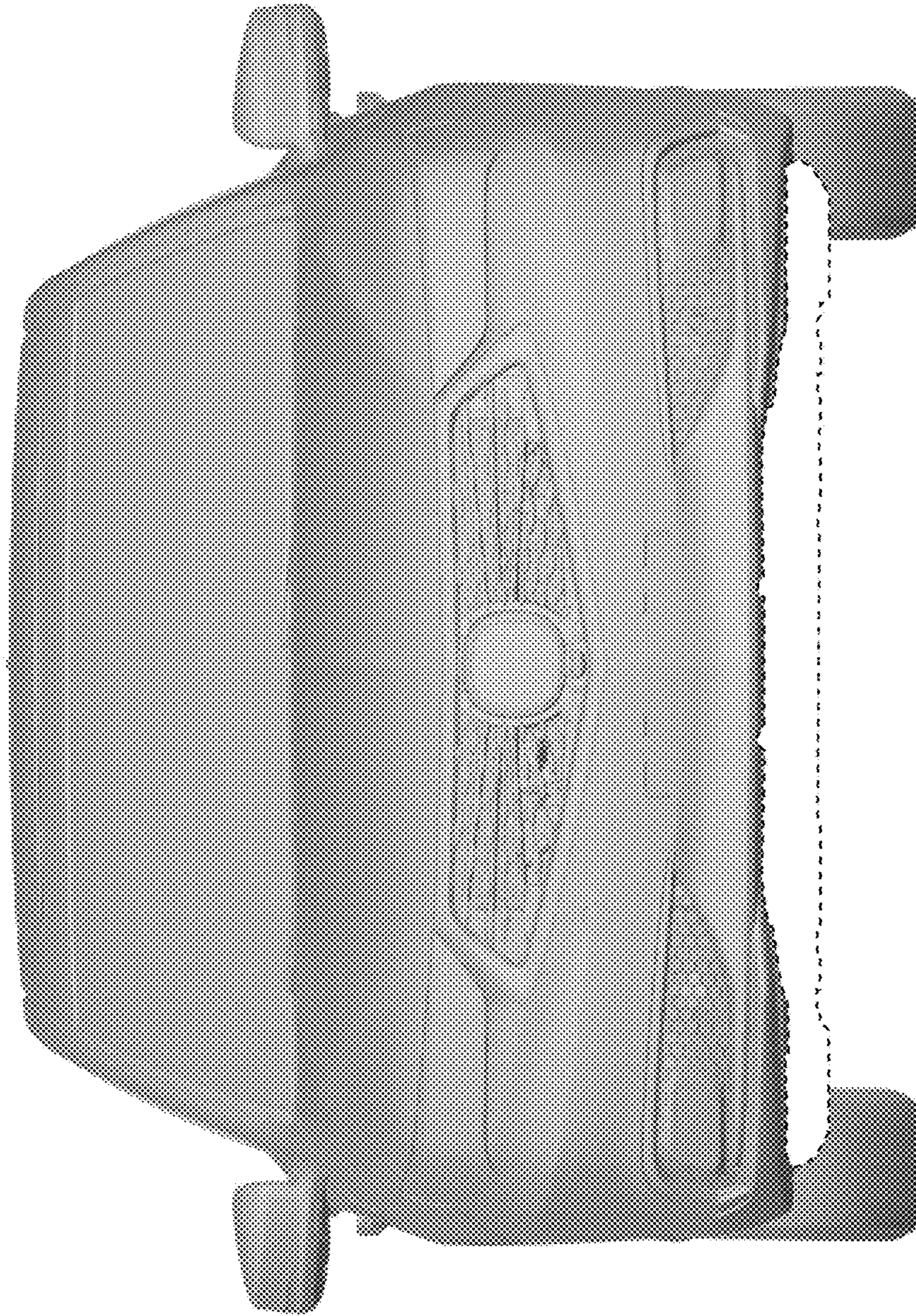


FIG. 6

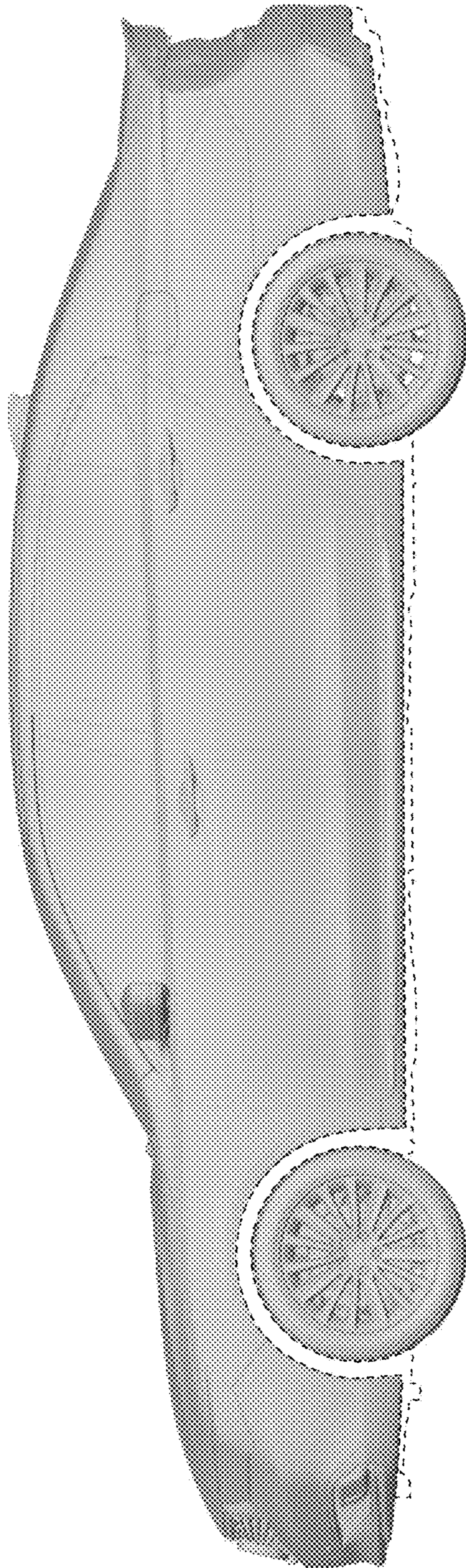


FIG. 7

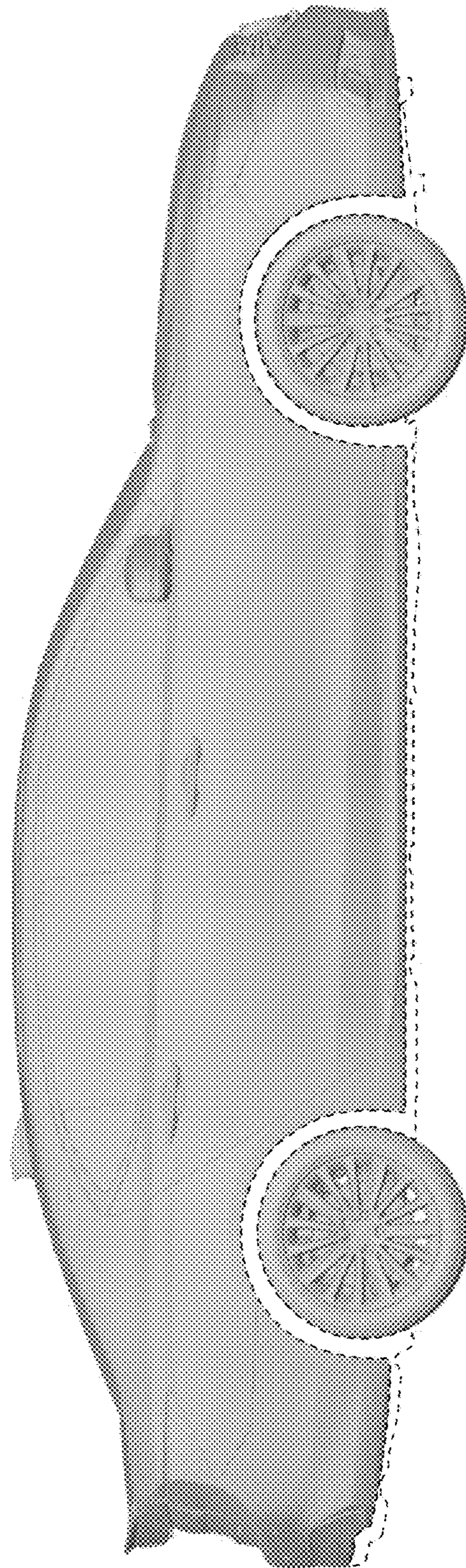


FIG. 8

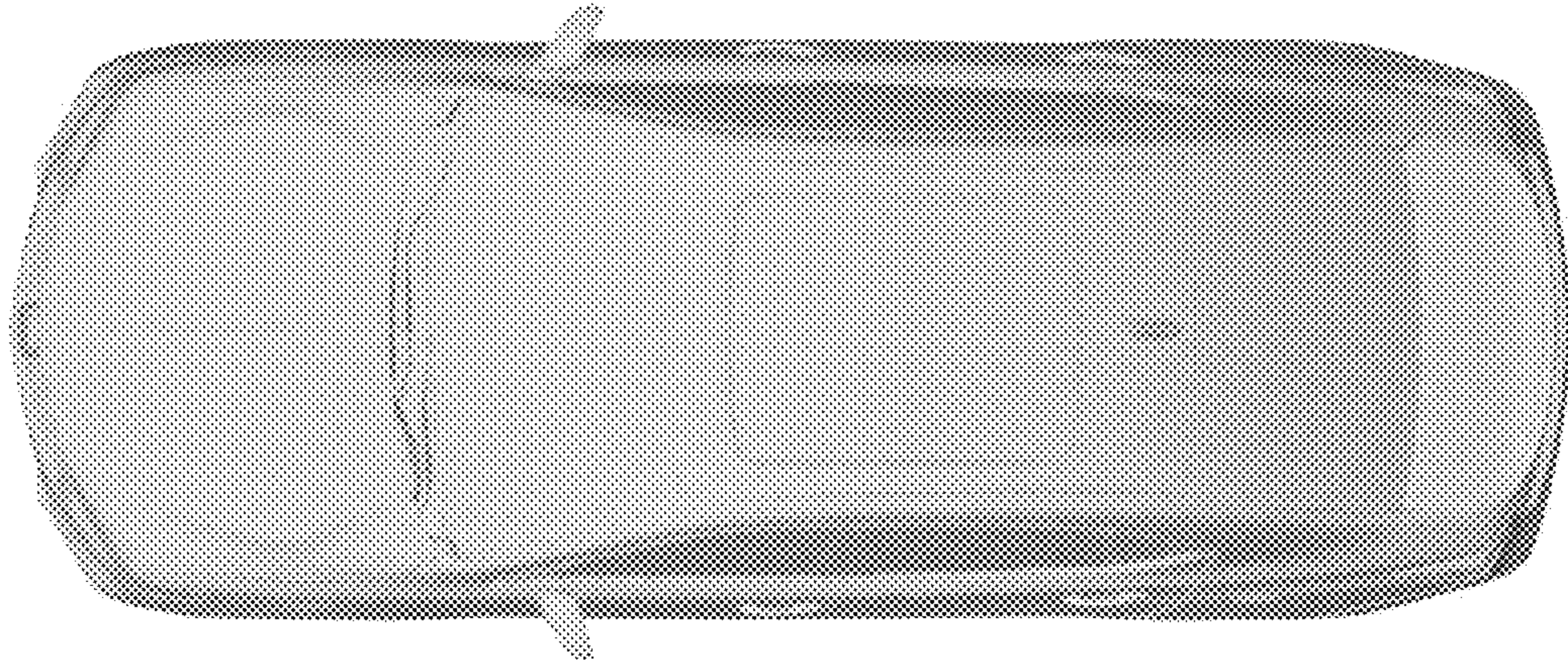


FIG. 9